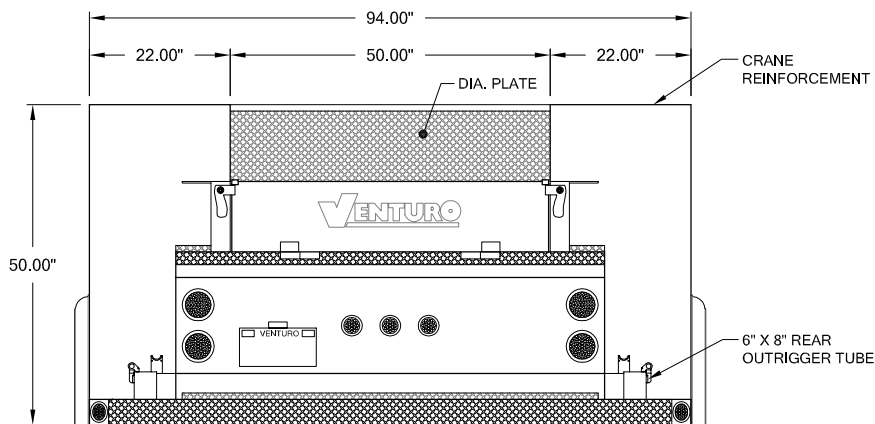
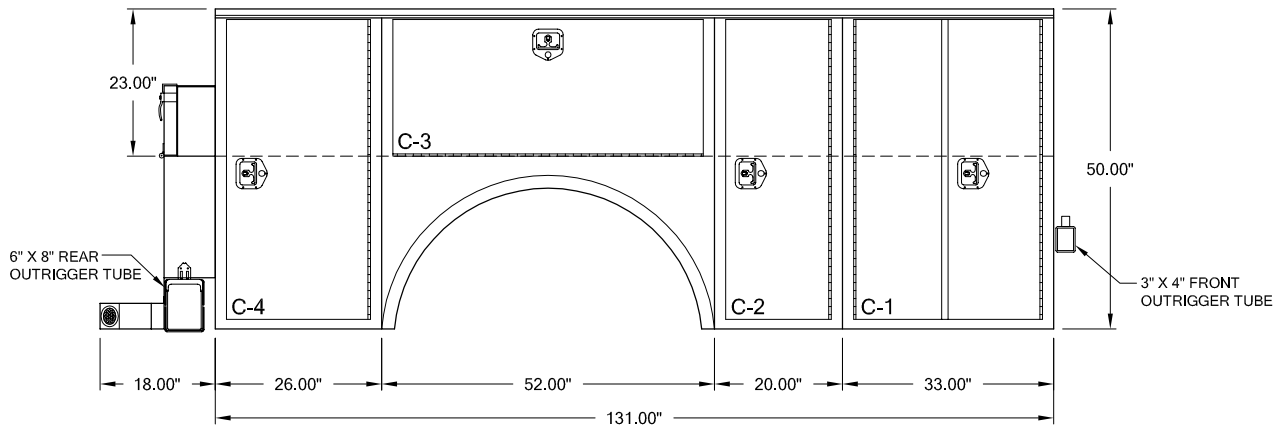
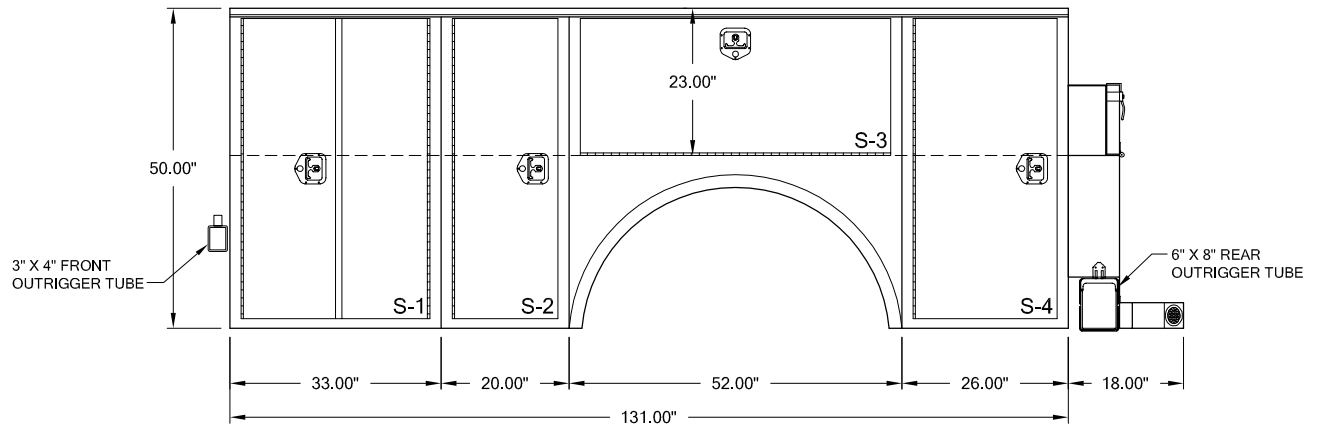


HT 50-131-FLT



NOTES:

- 10 GA. DIAMOND PLATE STEEL BED WALL & COMP'T TOPS
- 12 GA. & 14 GA. JET KOTE GALVANEAL STEEL BODY
- DOUBLE PANEL JET KOTE GALVANEAL STEEL DOORS W/ SPRING DOOR CHECKS
- FLAT 1/8" DIAMOND PLATE DECK WITHOUT WHEEL WELLS
- FULL LENGTH STAINLESS STEEL PIANO HINGE, PIN & T-HANDLE LATCHES W/ LOCKS
- FULL LENGTH DRIP RAIL OVER ALL COMPARTMENT DOORS
- UNOBSTRUCTED CRANE REINFORCED COMPARTMENTS
- TUBULAR LONGITUDINAL FRAME & CRANE COMPARTMENT CROSS MEMBERS
- AUTOMOTIVE TYPE DOOR SEALS & BODY UNDERCOATING

CLEAR DOOR OPENINGS

- S-1/C-1 = 44.00"H X 27.00"W
- S-2/C-2 = 44.00"H X 14.00"W
- S-3/C-3 = 19.00"H X 46.00"W
- S-4/C-4 = 44.00"H X 20.00"W



VENTURO CRANE BODIES

HT 50-131-FLT

SCALE:

N.T.S.

DATE:

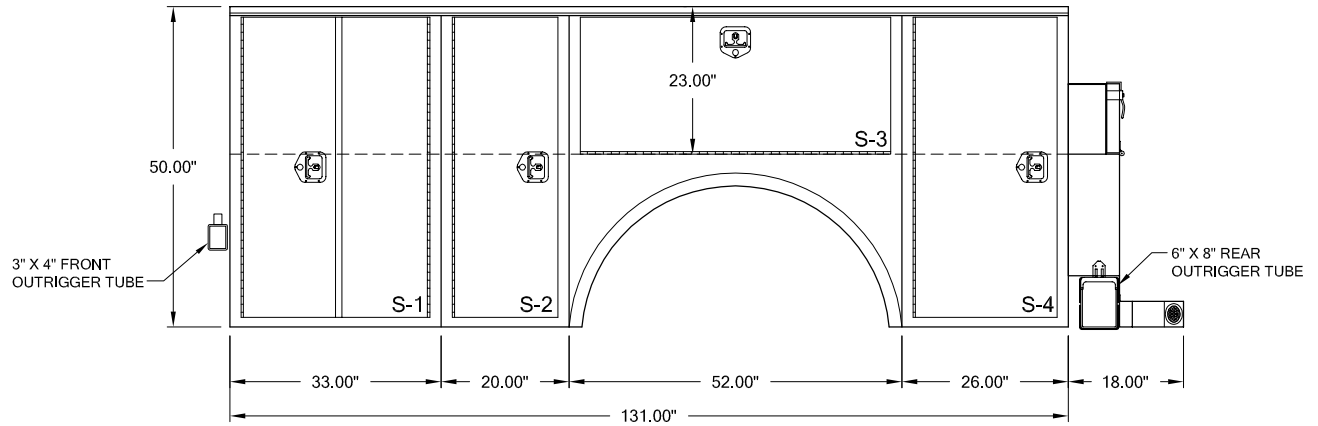
09/30/2005

SHEET:

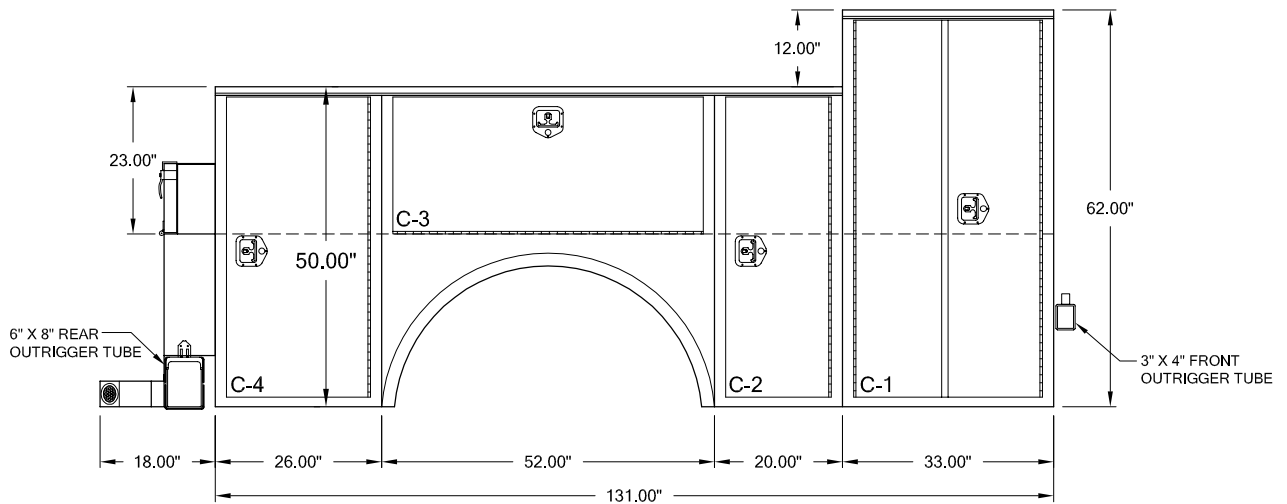
1 OF 1

REV: DATE

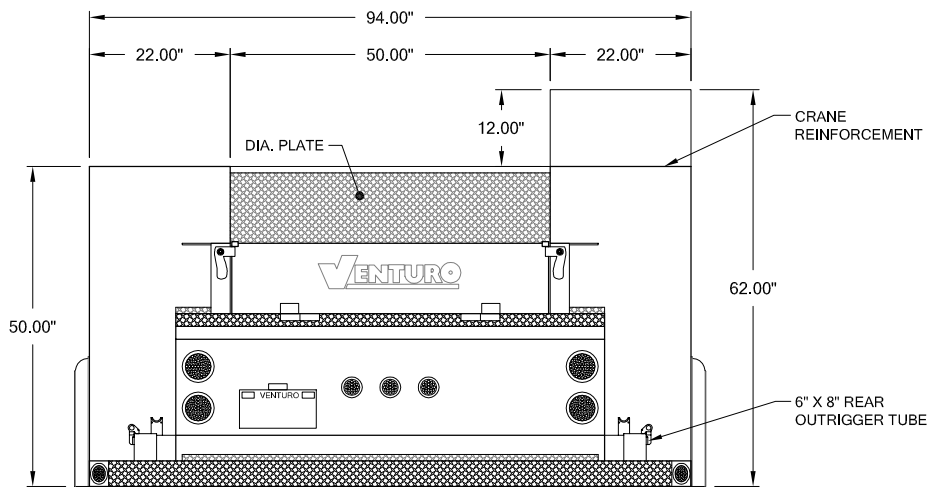
HT 50-131-TFC



STREET SIDE VIEW



CURB SIDE VIEW



REAR VIEW

NOTES:

- 10 GA. DIAMOND PLATE STEEL BED WALL & COMP'T TOPS
- 12 GA. & 14 GA. JET KOTE GALVANEAL STEEL BODY
- DOUBLE PANEL JET KOTE GALVANEAL STEEL DOORS W/ SPRING DOOR CHECKS
- FLAT 1/8" DIAMOND PLATE DECK WITHOUT WHEEL WELLS
- FULL LENGTH STAINLESS STEEL PIANO HINGE, PIN & T-HANDLE LATCHES W/ LOCKS
- FULL LENGTH DRIP RAIL OVER ALL COMPARTMENT DOORS
- UNOBSTRUCTED CRANE REINFORCED COMPARTMENTS
- TUBULAR LONGITUDINAL FRAME & CRANE COMPARTMENT CROSS MEMBERS
- AUTOMOTIVE TYPE DOOR SEALS & BODY UNDERCOATING

CLEAR DOOR OPENINGS

S-1 = 44.00"H X 27.00"W	C-1 = 56.00"H X 27.00"W
S-2 = 44.00"H X 14.00"W	C-2 = 44.00"H X 14.00"W
S-3 = 19.00"H X 46.00"W	C-3 = 19.00"H X 46.00"W
S-4 = 44.00"H X 20.00"W	C-4 = 44.00"H X 20.00"W



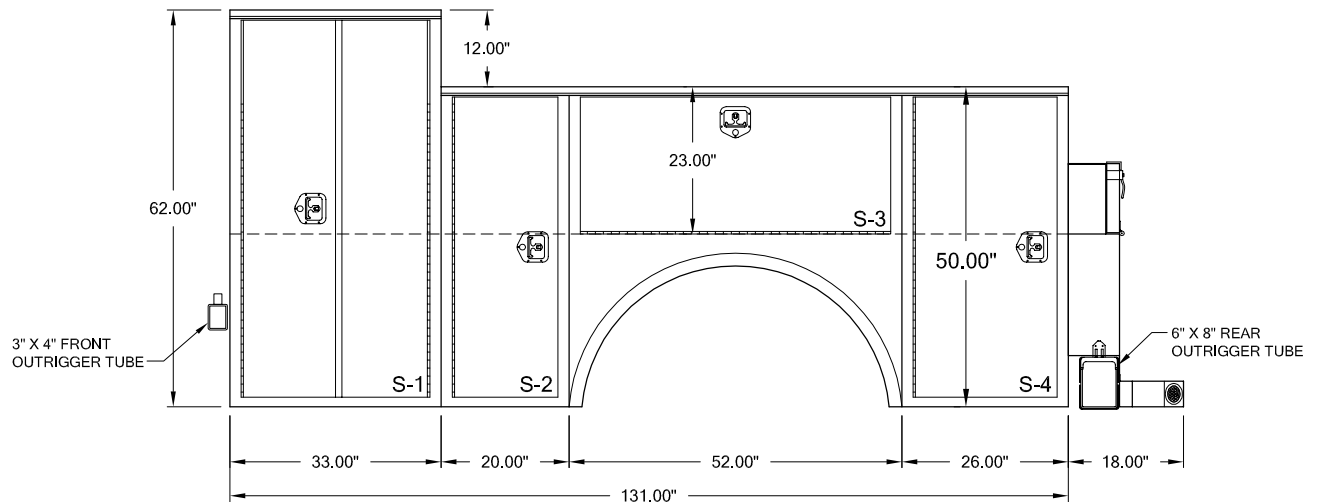
VENTURO CRANE BODIES

HT 50-131-TFC

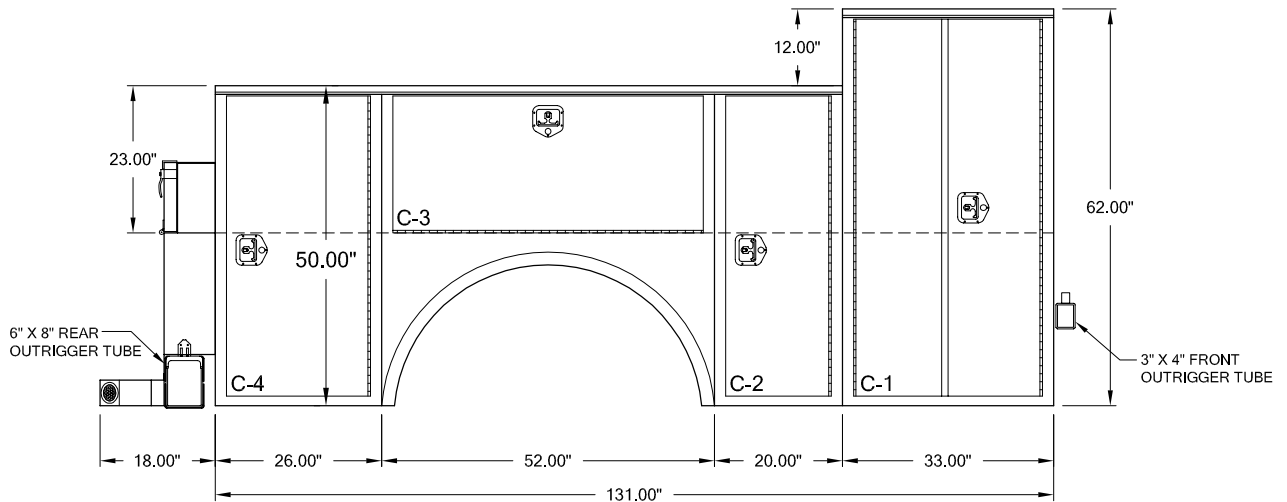
SCALE: N.T.S. DATE: 09/30/2005 SHEET: 1 OF 1

REV.	DATE

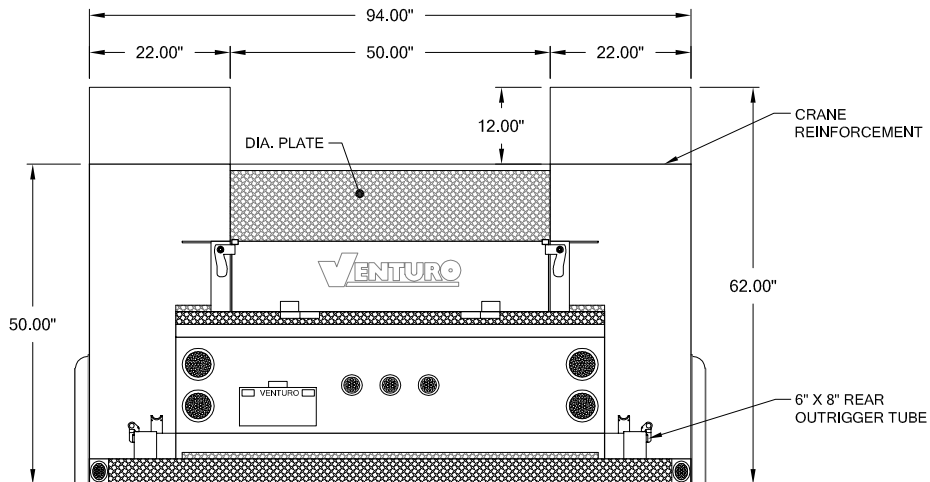
HT 50-131-DTF



STREET SIDE VIEW



CURB SIDE VIEW



REAR VIEW

NOTES:

- 10 GA. DIAMOND PLATE STEEL BED WALL & COMP'T TOPS
- 12 GA. & 14 GA. JET KOTE GALVANEAL STEEL BODY
- DOUBLE PANEL JET KOTE GALVANEAL STEEL DOORS W/ SPRING DOOR CHECKS
- FLAT 1/8" DIAMOND PLATE DECK WITHOUT WHEEL WELLS
- FULL LENGTH STAINLESS STEEL PIANO HINGE, PIN & T-HANDLE LATCHES W/ LOCKS
- FULL LENGTH DRIP RAIL OVER ALL COMPARTMENT DOORS
- UNOBSTRUCTED CRANE REINFORCED COMPARTMENTS
- TUBULAR LONGITUDINAL FRAME & CRANE COMPARTMENT CROSS MEMBERS
- AUTOMOTIVE TYPE DOOR SEALS & BODY UNDERCOATING

CLEAR DOOR OPENINGS

- S-1/C-1 = 56.00"H X 27.00"W
- S-2/C-2 = 44.00"H X 14.00"W
- S-3/C-3 = 19.00"H X 46.00"W
- S-4/C-4 = 44.00"H X 20.00"W



VENTURO CRANE BODIES

HT 50-131-DTF

SCALE: N.T.S. DATE: 09/30/2005 SHEET: 1 OF 1

REV.	DATE