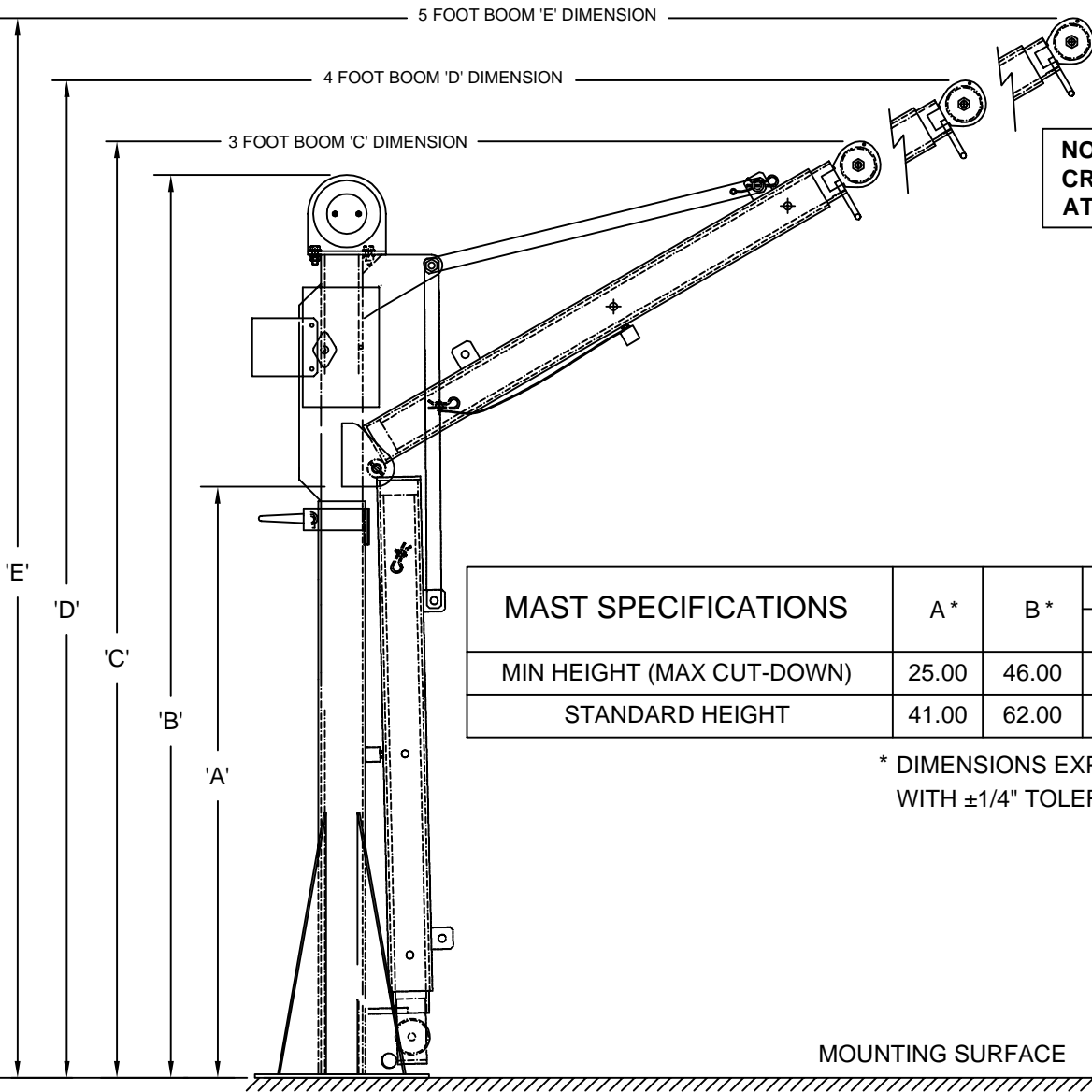


CE1500FB FOLDING BOOM CRANE



NOTE:
CRANE SHOWN TO SCALE
AT STANDARD HEIGHT

MAST SPECIFICATIONS	A *	B *	C *	D *	E *
			3 FT	4 FT	5 FT
MIN HEIGHT (MAX CUT-DOWN)	25.00	46.00	49.25	56.25	63.25
STANDARD HEIGHT	41.00	62.00	65.25	72.25	79.25

* DIMENSIONS EXPRESSED IN INCHES
WITH $\pm 1/4$ " TOLERANCE

MOUNTING SURFACE

SPECIAL ORDER: (FILL OUT & FAX TO 513-326-5427)

KEY DIMENSION (FILL ONLY ONE BLANK & ALLOW FOR $\pm 1/4$ " TOLERANCE)

A = _____ B = _____ C = _____ D = _____ E = _____

NAME _____

P.O. # _____ DATE _____



VENCO VENTURO INDUSTRIES LLC
CINCINNATI, OHIO

TITLE	DATE	SECTION
SPECIAL ORDER FORM	07-28-16	-
CE1500FB MAX CUT-DOWN	SUPERSEDES	21261
	-	