



VENTURO
TRUCK MOUNTED CRANES

CRANE BODIES

OWNER'S MANUAL

TABLE OF CONTENTS
CRANE BODIES

SECTION 200

INSTALLATION

- ▲ 23425 CRANE BODY MODELS & NAMING
- 23241 BODY MOUNTING DETAIL
- 23242 TOP COAT PREPARATION
- ▲ 23243 BODY LIGHTING DETAIL, STANDARD
- ▲ 23729 BODY LIGHTING DETAIL, WORKBENCH BUMPER
- 23250 CRANE BODY WIRING HARNESS
- 23244 DOOR WEATHER STRIPPING DETAIL
- 23246 SHELVING PACKAGE DETAIL
- 23247 OXYGEN / ACETYLENE BOTTLE HOLDER DETAIL
- 23248 OXYGEN / ACETYLENE COMPARTMENT VENTILATION

SECTION 400

REPLACEMENT PARTS

- 23249 REPLACEMENT PARTS LIST
- 23245 ACCESSORY ITEM LIST

WARRANTY INFORMATION

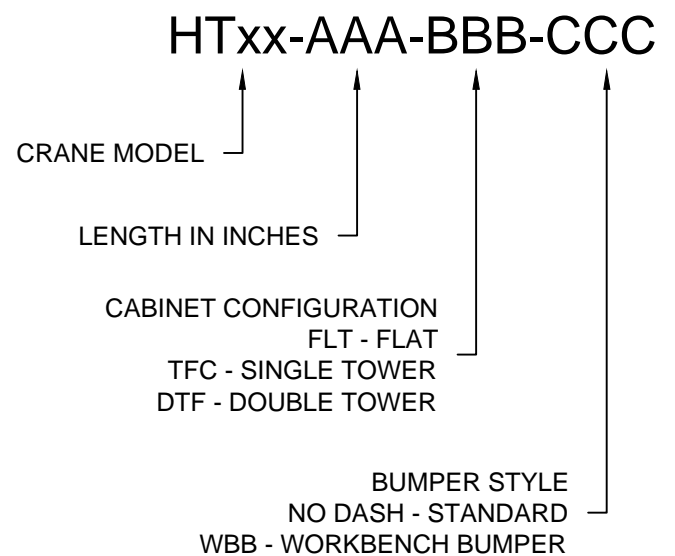


VENCO VENTURO INDUSTRIES LLC
 CINCINNATI, OHIO

TITLE	DATE	SECTION
TABLE OF CONTENTS	02-08-19B	-
CRANE BODIES	SUPERSEDES 02-23-15A	23240

ACTIVE CRANE BODIES & NAMING SCHEME

ACTIVE CRANE BODIES
HT25-107-FLT
HT25-107-TFC
HT40-131-FLT
HT40-131-TFC
HT40-131-DTF
HT50-131-FLT
HT50-131-TFC
HT50-131-DTF
HT50-163-FLT
HT50-163-DTF
HT66-132-DTF-WBB
HT66-163-DTF-WBB



VENCO VENTURO INDUSTRIES LLC
 CINCINNATI, OHIO

TITLE
 ACTIVE MODELS & NAMING

DATE
 02-12-19

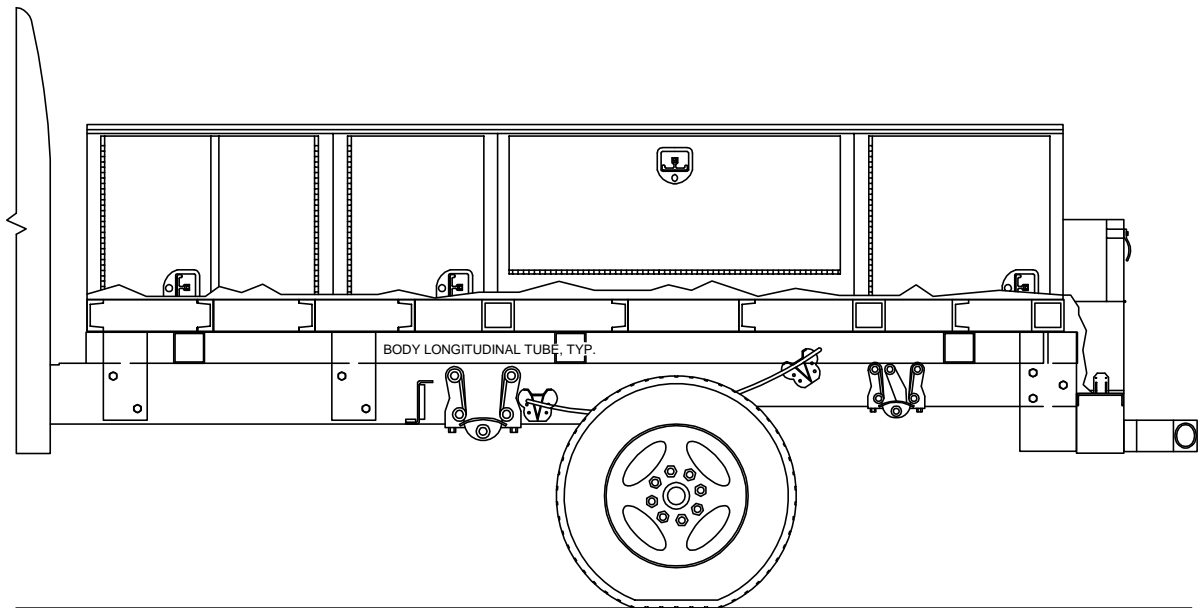
SECTION
 C200

CRANE BODIES

SUPERSEDES

23425

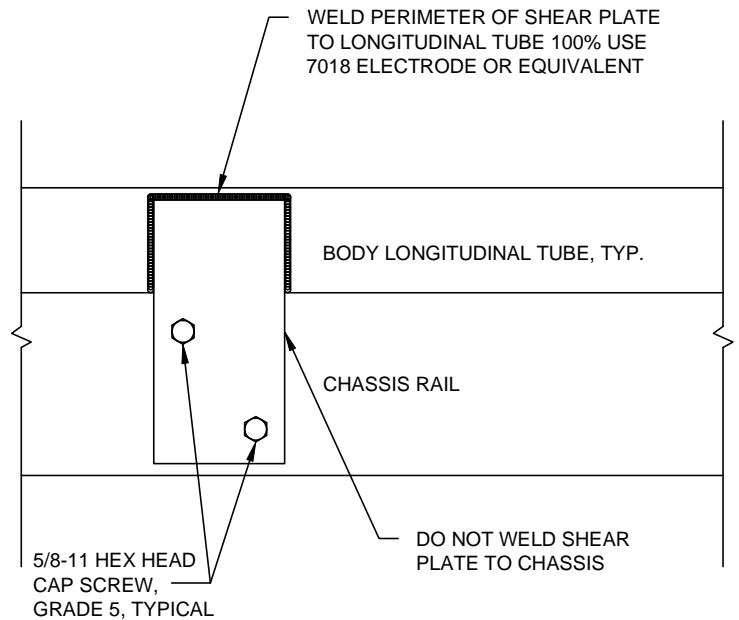
BODY MOUNTING DETAIL



CUTAWAY SIDE VIEW MOUNTING DETAIL

INSTALLATION:

1. LOCATE 3/8" x 6" x 12" SHEAR PLATES FORWARD OF CHASSIS SPRING SHACKLES AS SHOWN. BOLT THE SHEAR PLATES USING 5/8-11 GR5 OR EQUAL HEX HEAD CAP SCREWS. TWO [2] BOLTS PER SHEAR PLATES AS SHOWN (LEAVE LOOSE FOR NOW).
2. LOCATE BODY ON CHASSIS AS DESIRED. BE SURE TO ALLOW FOR PROPER CAB TO BODY CLEARANCE.
3. POSITION SHEAR PLATES TO BODY LONGITUDINAL TUBE AND WELD AROUND PERIMETER (SEE SHEAR PLATE MOUNTING DETAIL).
4. TIGHTEN BOLTS ON FRONT FOUR [4] SHEAR PLATES. INSTALL SHIM PLATE BETWEEN SHEAR PLATE AND CHASSIS RAIL, IF THE GAP BETWEEN THEM IS GREATER THAN 1/8" AFTER WELDING THE SHEAR PLATE TO THE LONGITUDINAL TUBE.
5. INSTALL THREE [3] 5/8-11 GR5 HEX HEAD CAP SCREWS TO REAR 8" STRUCTURAL CHANNEL SHEAR PLATE AS SHOWN. INSTALL SHIM PLATE BETWEEN CHANNEL SHEAR PLATE AND CHASSIS RAIL, IF THE GAP IS GREATER THAN 1/8" AFTER MOUNTING THE BODY AND DRILLING THE REQUIRED HOLES.
6. CHECK ALL BOLTS FOR PROPER TORQUE BASED ON THE TRUCK MANUFACTURER RECOMMENDATIONS.



SHEAR PLATE MOUNTING DETAIL



VENCO VENTURO INDUSTRIES LLC
CINCINNATI, OHIO

TITLE	DATE	SECTION
BODY MOUNTING DETAIL	06-11-14	C200
CRANE BODIES	SUPERSEDES	23241
	-	

TOP COAT PREPARATION

All Venturo bodies receive an epoxy primer coating which is applied via a High Volume Low Pressure (HVLP) spray gun process. Our primer coating is compatible with all popular alkyd, acrylic, and urethane refinish top coats. The following instructions will guide you in applying a durable, quality finish:

1. Clean all road dirt, diesel fumes, etc. off the unit. If you wash the unit with water, dry the unit thoroughly before beginning the next step.
2. Bring the unit to room temperature (minimum 70° F for most paint applications).
3. Sand the unit lightly with a random action sander and 220 grit abrasive. Just remove the glossy surface → DO NOT remove the primer to the bare metal. The primer is applied to a thickness of 1.2 mils. If the primer is removed below a thickness of 1.0 mil, it will be necessary to apply a coating of rust-inhibiting primer to restore proper rust protection to the unit.
4. If surface repairs are made which require sanding to bare metal, use an appropriate metal etching primer to ensure proper paint adhesion.
5. It is necessary to use a primer / surfacer between the primer and the base color coat when applying a base coat / clear finish to Venturo products.
6. Wipe the body down with a pre-paint surface cleaner (preparation solvent) to remove loose sanding waste and any accumulated debris.
7. Allow to dry and tack-off unit just prior to spraying.

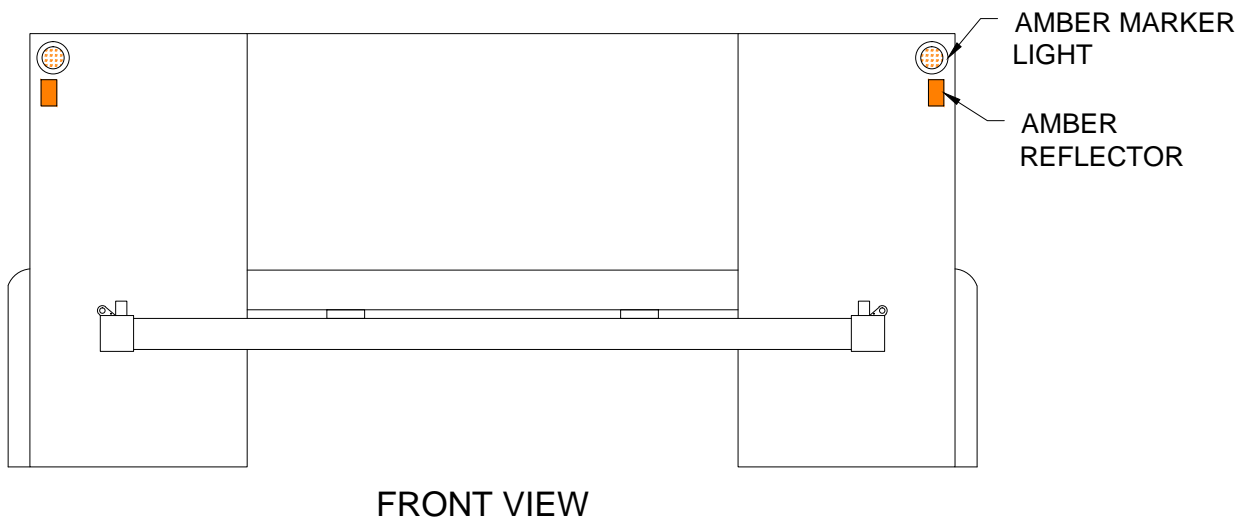
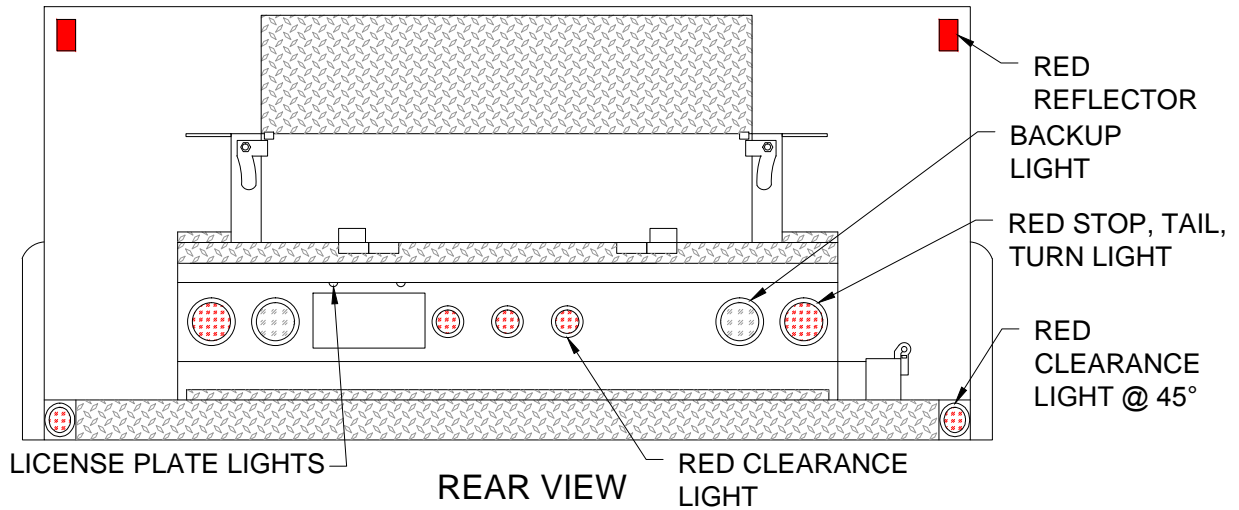
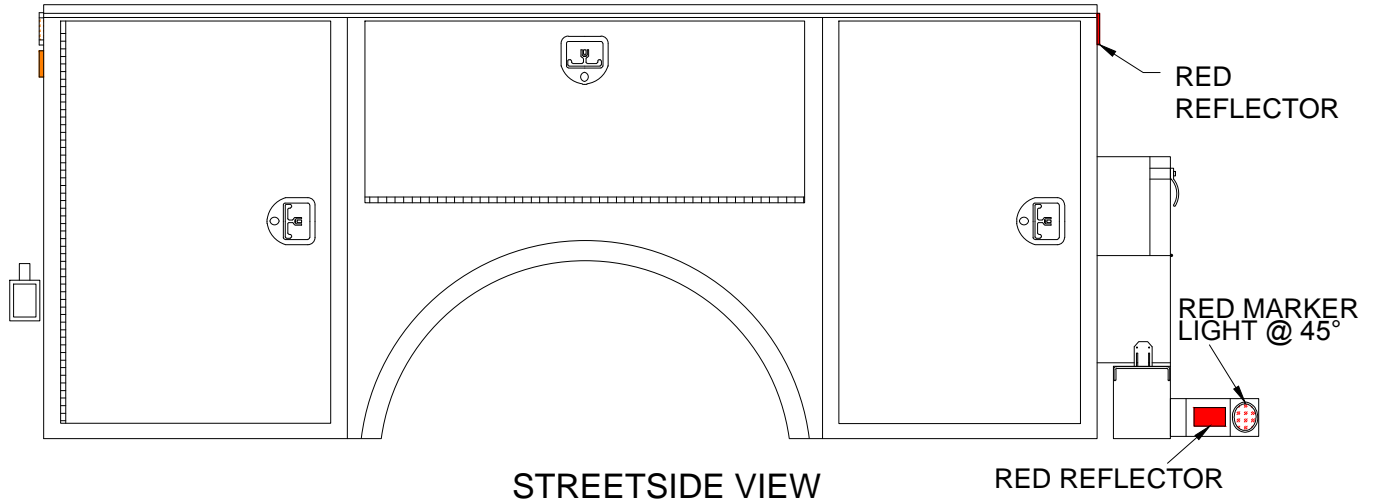
NOTE: Low Volatile Organic Compound (VOC) paints, mandated in certain areas by government environmental regulations, have performance characteristics similar to base coat / clear coat paint systems; Venturo recommends the application of a primer between Venturo's primer and the top coat. The top coat supplier should recommend the primer compatible with their top coat.



VENCO VENTURO INDUSTRIES LLC
CINCINNATI, OHIO

TITLE	DATE	SECTION
TOP COAT PREPARATION	06-11-14	C200
CRANE BODIES	SUPERSEDES -	23242

BODY LIGHTING DETAIL, STANDARD



VENCO VENTURO INDUSTRIES LLC
CINCINNATI, OHIO

TITLE
BODY LIGHTING DETAIL

DATE
02-08-19B

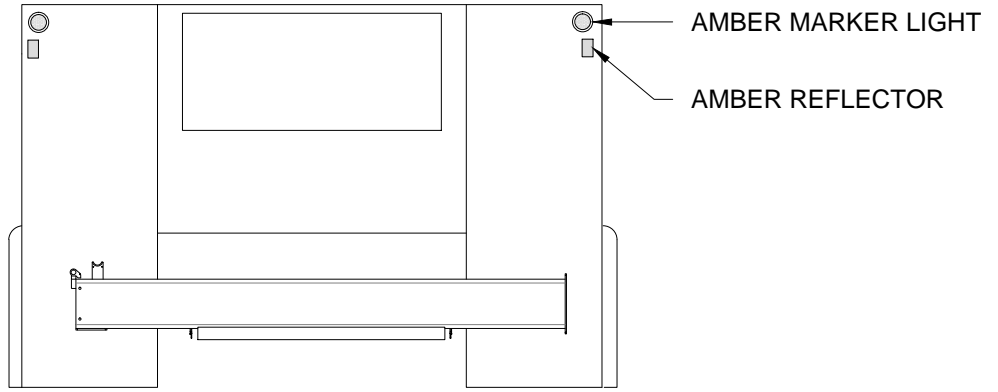
SECTION
C200

CRANE BODIES, STND

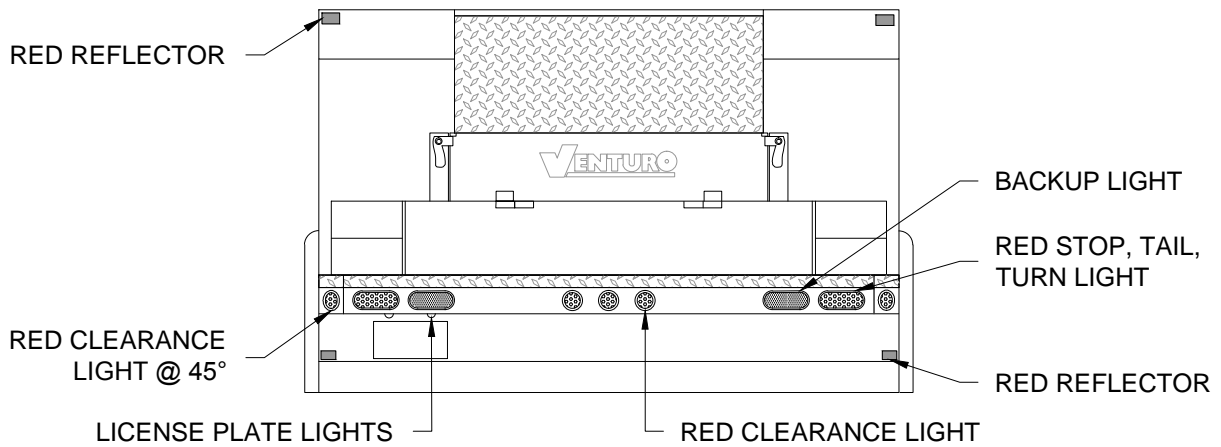
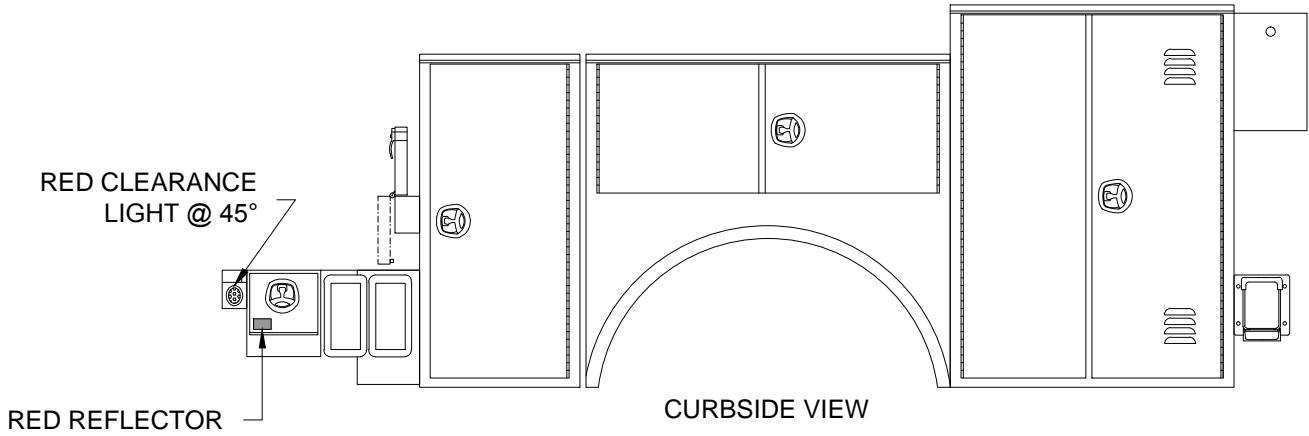
SUPERSEDES
12-01-17A

23243

BODY LIGHTING DETAIL, WORKBENCH BUMPER



FRONT VIEW



REAR VIEW



VENCO VENTURO INDUSTRIES LLC
CINCINNATI, OHIO

TITLE
BODY LIGHTING DETAIL

DATE
02-08-19

SECTION
C200

CRANE BODIES, WBB

SUPERSEDES

23729

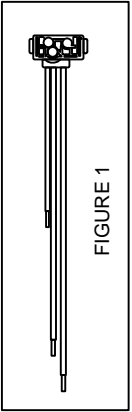
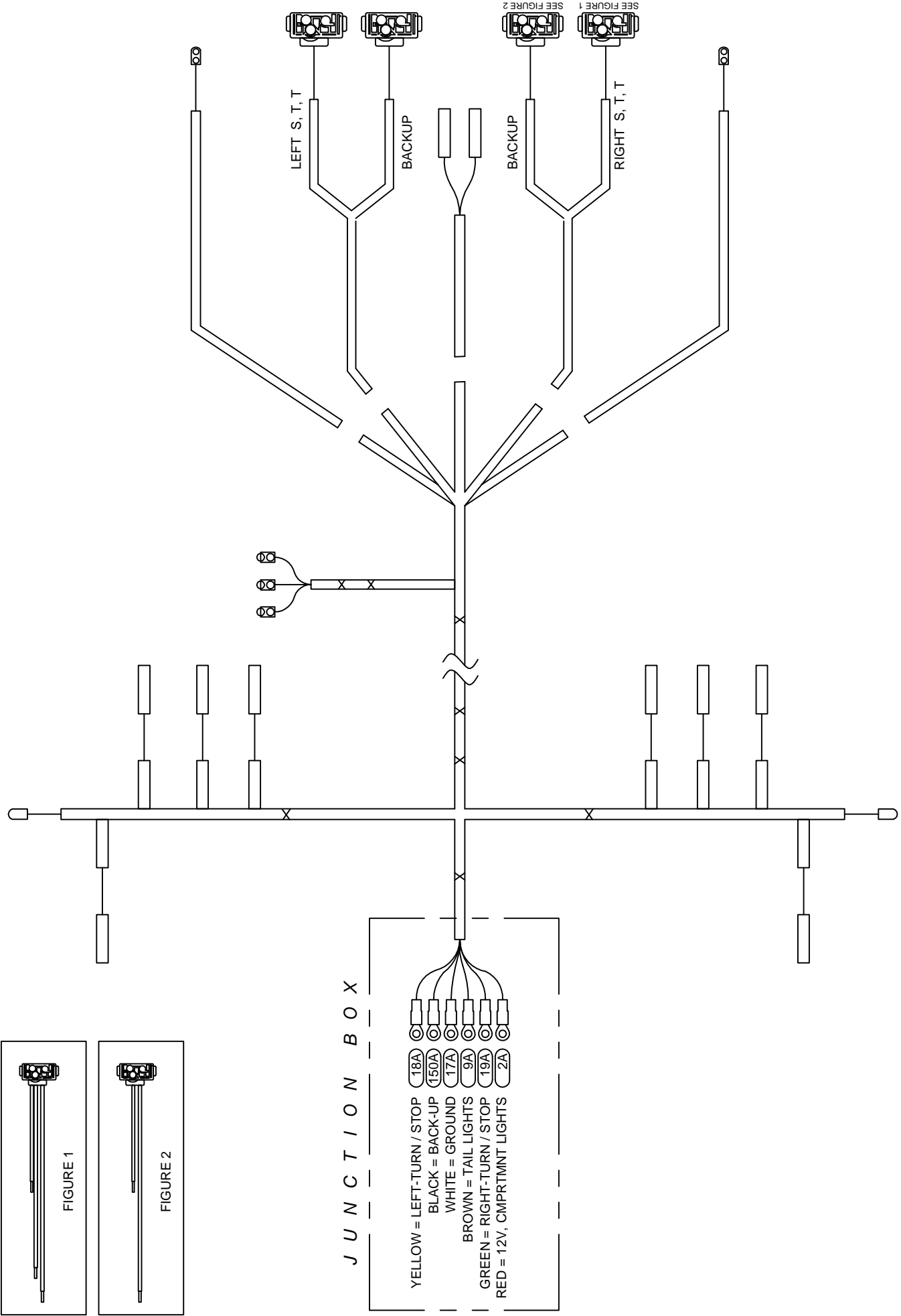


FIGURE 1

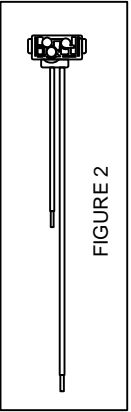



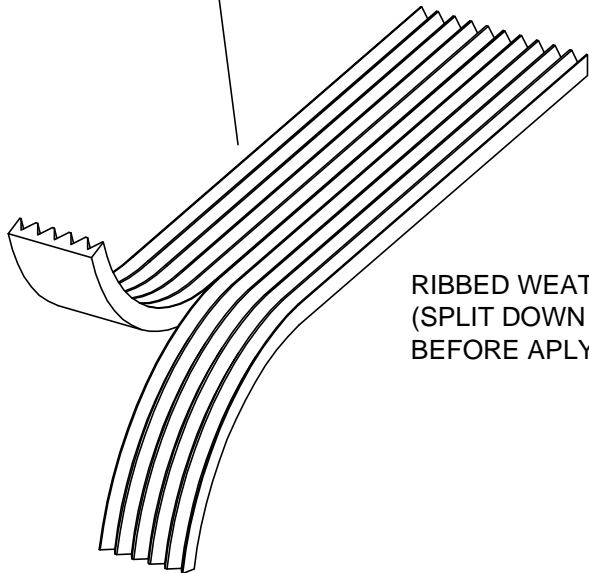
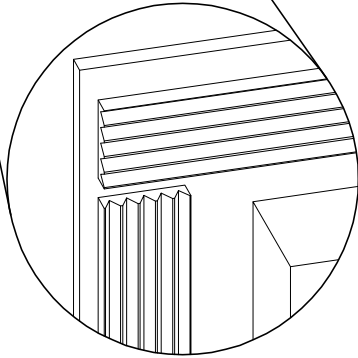
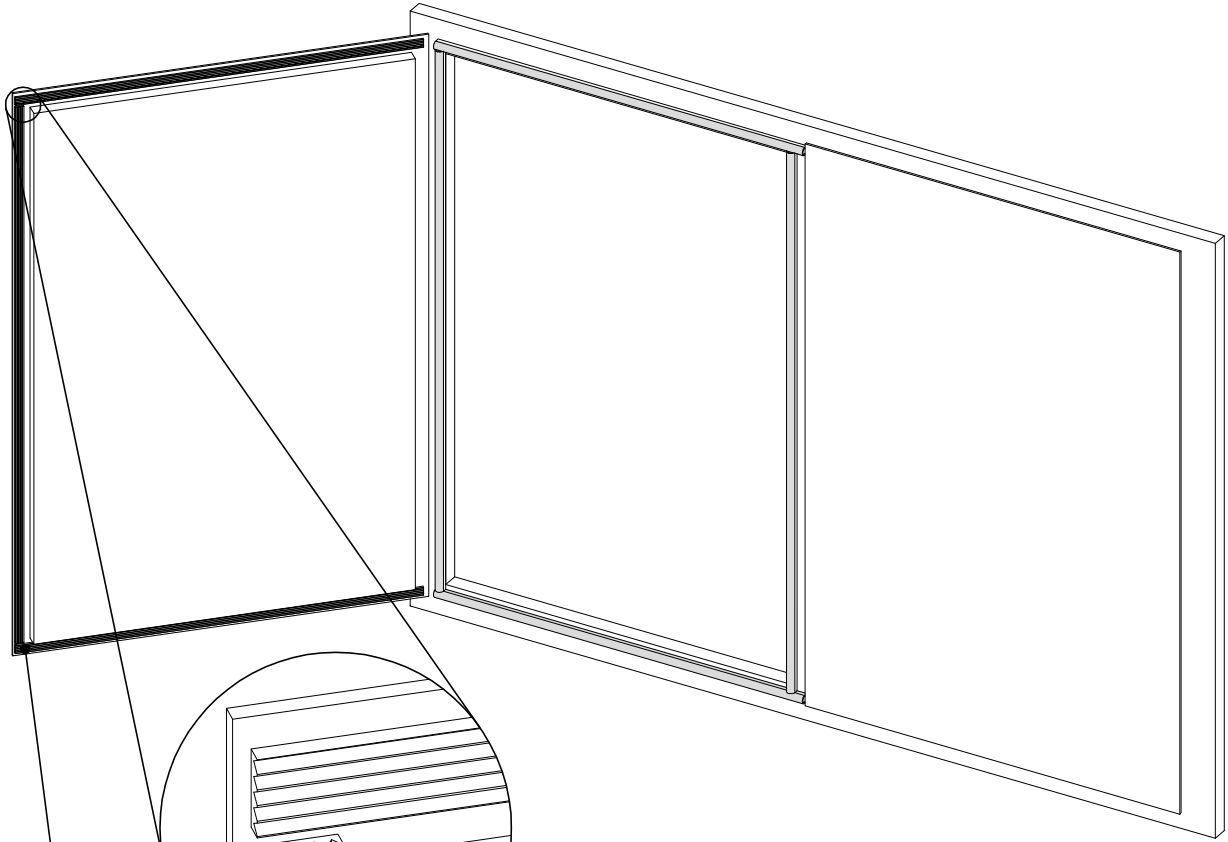
FIGURE 2

JUNCTION BOX

- 18A
 - 150A
 - 17A
 - 9A
 - 19A
 - 2A
- YELLOW = LEFT-TURN / STOP
 BLACK = BACK-UP
 WHITE = GROUND
 BROWN = TAIL LIGHTS
 GREEN = RIGHT-TURN / STOP
 RED = 12V, CMPRTMNT LIGHTS

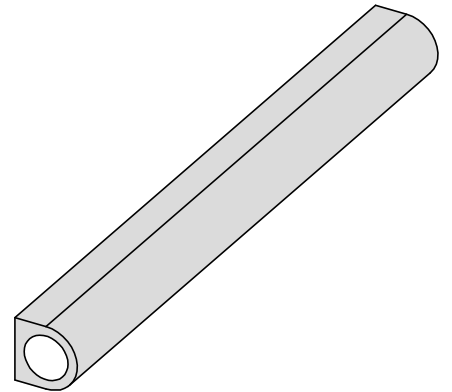
	VENCO VENTURO INDUSTRIES LLC CINCINNATI, OHIO		TITLE CRANE BODY WIRING HARNESS	
	DATE 12-01-17A <small>SUPERSEDES</small> 02-23-15	SECTION -	23250	
CRANE BODIES ▲				

DOOR WEATHER STRIPPING DETAIL



RIBBED WEATHER STRIPPING
(SPLIT DOWN CENTER SEAM
BEFORE APPLYING)

D-SHAPED WETHER STRIPPING



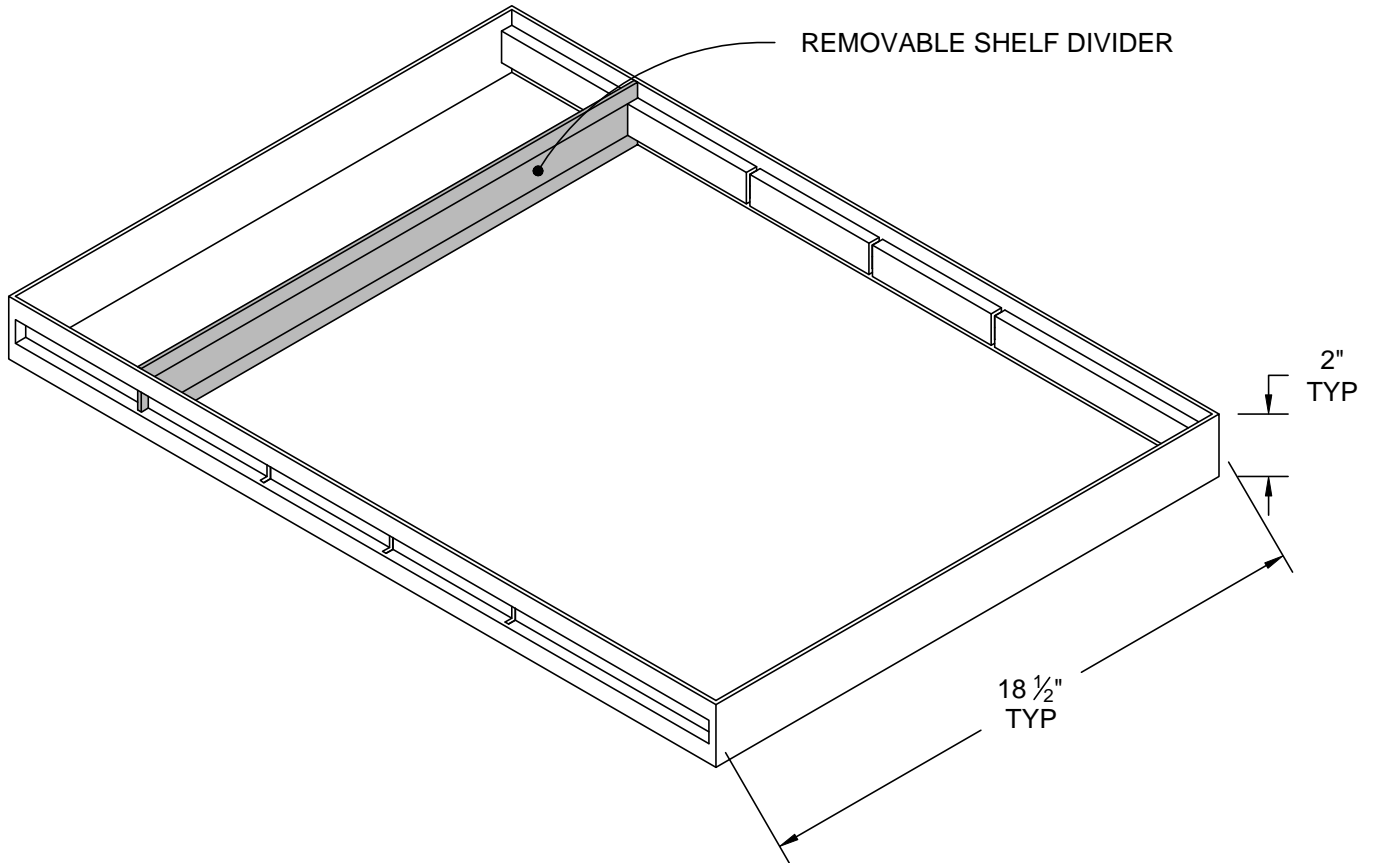
VENCO VENTURO INDUSTRIES LLC
CINCINNATI, OHIO

TITLE
WEATHER STRIPPING
CRANE BODIES

DATE
06-11-14
SUPERSEDES
-

SECTION
C200
23244

SHELVING PACKAGE DETAIL



* P/N: SP109 (60" CA) - 7 SHELVES

QTY	DESCRIPTION
1	26" SHELF
2	46" SHELF
4	31" SHELF
36	1/4-20 x 1" HEX BOLT W/ FLAT WASHER
28	SHORT SPRING NUTS
50	REMOVABLE SHELF DIVIDERS

* P/N: SP40-133 (84" CA) - 11 SHELVES

QTY	DESCRIPTION
1	26" SHELF
2	46" SHELF
4	31" SHELF
4	22" SHELF
36	1/4-20 x 1" HEX BOLT W/ FLAT WASHER
28	SHORT SPRING NUTS
50	REMOVABLE SHELF DIVIDERS

* SHELVING PACKAGES MAY DIFFER BETWEEN CAB-AXLE (CA) APPLICATIONS.
PLEASE CONTACT OUR SALES DEPARTMENT AT 800-226-2238 FOR ADDITIONAL INFORMATION.



VENCO VENTURO INDUSTRIES LLC
CINCINNATI, OHIO

TITLE	SHELVING PCKG DETAIL
CRANE BODIES	

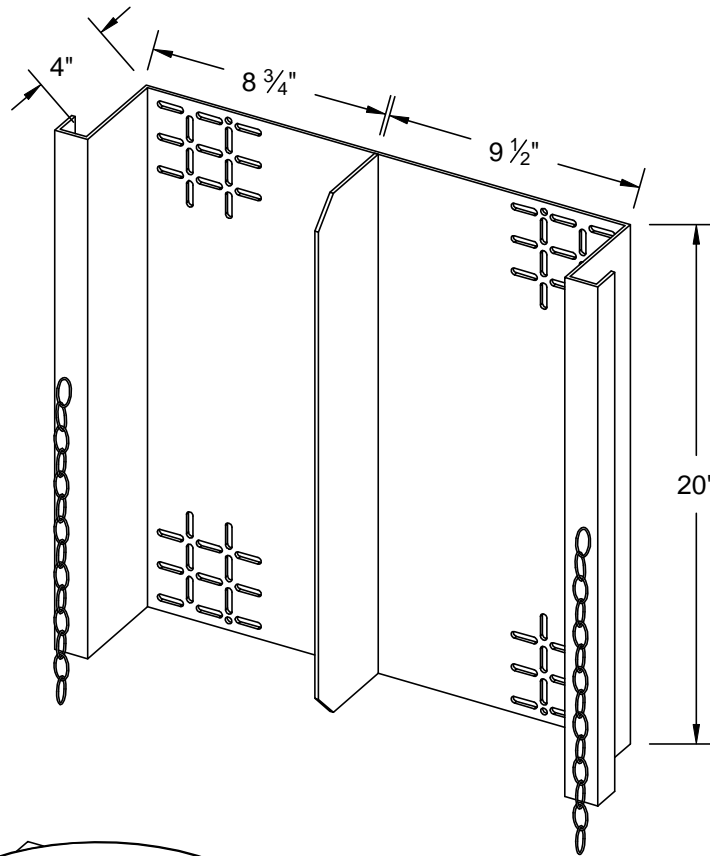
DATE	06-11-14
SUPERSEDES	-

SECTION	C200
	23246

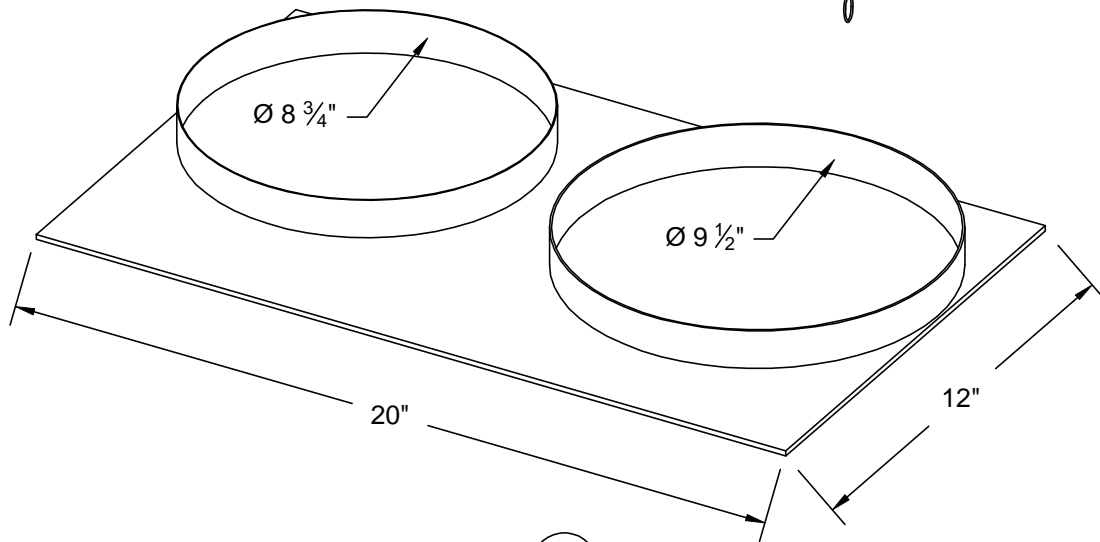
OXYGEN & ACETYLENE BOTTLE HOLDER DETAIL

PART: #OA

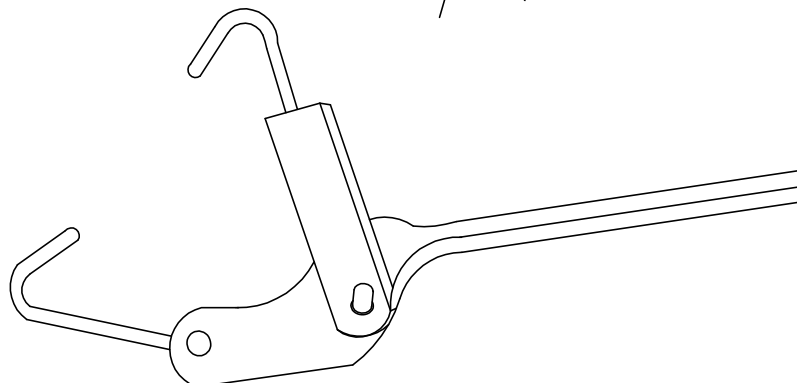
DESCRIPTION	QTY
BRACKET	1
BASE	1
LOAD BINDER	1



← BRACKET



← BASE



← LOAD BINDER



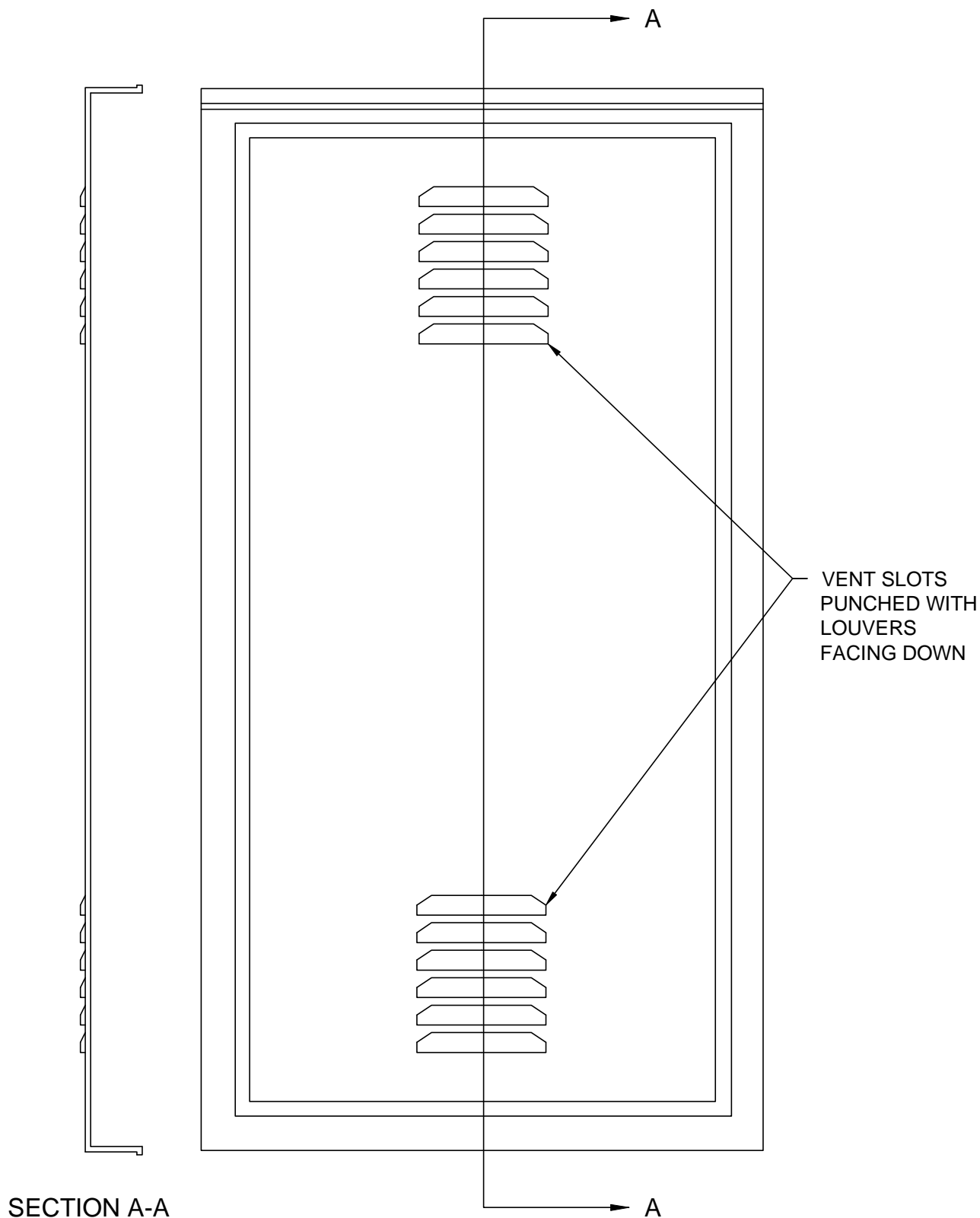
VENCO VENTURO INDUSTRIES LLC
CINCINNATI, OHIO

TITLE
O & A BOTTLE HOLDER
CRANE BODIES

DATE
06-11-14
SUPERSEDES
-

SECTION
C200
23247

OXYGEN & ACETYLENE COMPARTMENT VENTS



BEFORE USING BODY TO TRANSPORT AND/OR STORE ANY FLAMMABLE AND/OR HAZARDOUS LIQUIDS AND/OR GASES, CHECK PERTINENT CURRENT LOCAL AND FEDERAL LAWS & REGULATIONS FOR COMPLIANCE.



VENCO VENTURO INDUSTRIES LLC
CINCINNATI, OHIO

TITLE
O & A VENTILATION
CRANE BODIES

DATE
06-11-14
SUPERSEDES
-

SECTION
C200
23248

REPLACEMENT PARTS LIST

PART NUMBER

DESCRIPTION

PH25202	T-HANDLE & GASKET
PH25200	LOCKING T-HANDLE, STAINLESS, 3-POINT, W/O PADLOCK
PH25217	TRUCK TAILGATE LATCH (SPECIFY LEFT / RIGHT)
PH25205	SEAL; "D" W/ ADHESIVE
PH25206	SEAL; RIBBED W/ ADHESIVE
PH25226	FENDER EXTENSION
PH25218	TAILGATE HINGE
PH25211	SPRING-LOADED DOOR LOCK CHECK
PH25210	DOOR W/ HINGE, HANDLE, & RODS
PH25224	TIE DOWN
PH25215	INTERIOR LIGHT; COMPARTMENT, WITH SWITCH



VENCO VENTURO INDUSTRIES LLC
CINCINNATI, OHIO

TITLE	DATE	SECTION
RPLCMNT PARTS LIST	06-11-14	C400
CRANE BODIES	SUPERSEDES -	23249

ACCESSORY ITEMS PARTS LIST

PART NUMBER

DESCRIPTION

SP25-107 HT25 SERIES SHELVING PACKAGE; 107" BODY
 SP25-133 HT25 SERIES SHELVING PACKAGE; 131" BODY
 SP40-133 HT40 SERIES SHELVING PACKAGE; 131" BODY
 SP50-133 HT50 SERIES SHELVING PACKAGE; 131" BODY
 SP66-133 HT66 SERIES SHELVING PACKAGE; 132" BODY
 SP66-163 HT66 SERIES SHELVING PACKAGE; 163" BODY

HDS500 HEAVY-DUTY SLIDE OUT TRAY, 500# CAPACITY;
 HT25-107, HT25/40/50-131, & HT66-163

HDD4 / HDD6 HEAVY DUTY DRAWERS; HT25-107, HT25/40/50-131,
 HT66-163

ILK107 INTERIOR LIGHT KIT; 107" BODY
 ILK133 INTERIOR LIGHT KIT; 131" BODIES
 ILK163 INTERIOR LIGHT KIT; 163" BODY (HT66-163)
 LED INTERIOR LIGHT KIT, (LED ROPE); ALL BODIES

FW14 FENDER WELL LINERS; ALL BODIES

OA OXYGEN & ACETYLENE BOTTLE HOLDER; ALL BODIES

WBB-25-DD 19" HT25 SERIES WORKBENCH BUMPER W/ VISE
 PLATE, THROUGH STORAGE, & HINGED DOORS

WBB-40-DD 19" HT40 SERIES WORKBENCH BUMPER W/ VISE
 PLATE, THROUGH STORAGE, & HINGED DOORS

WBB-50-DD 24" HT50 SERIES WORKBENCH BUMPER W/ VISE
 PLATE, THROUGH STORAGE, & HINGED DOORS

WBB-66-DD 36" HT66 SERIES WORKBENCH BUMPER W/ VISE
 PLATE, THROUGH STORAGE, & HINGED DOORS

MLS MASTER LOCKING SYSTEM; HT25/40/50-131 BODIES
 MLS-66 MASTER LOCKING SYSTEM; HT66-163

GSS GRIP STRUT STEPS; ALL BODIES

RT TELESCOPING TOP; ALL BODIES



VENCO VENTURO INDUSTRIES LLC
 CINCINNATI, OHIO

TITLE

ACCESS. ITEMS LIST

DATE

06-11-14

SECTION

C400

SUPERSEDES

-

CRANE BODIES

23245



VENTURO CRANE BODIES – 6-YEAR LIMITED WARRANTY POLICY

Venturo Crane Bodies are built to last...we guarantee it!

As a purchaser of any new Venturo crane body, you will receive 6 years of the most complete coverage available at no added cost to you.

Items Covered by Warranty and Duration

1. Products have a no rust-through guarantee to the first owner/user of record for six years from the beginning of the warranty period.
2. The door hinges are guaranteed not to fail to operate for six years from the beginning of the warranty period to the first owner/user of record.
3. The door latches and lock cylinders are guaranteed not to fail to operate for six years from the beginning of the warranty period to the first owner/user of record.
4. The compartment shelves are guaranteed for six years from the beginning of the warranty period to the first owner/user of record not to bend under the rated load of 250 pounds.
5. Defects from manufacturing workmanship and/or material not specified above will be covered by warranty inclusive of material and labor to first owner/user of record for one year from the beginning of the warranty period.
6. The warranty period begins on the date of purchase by the first owner/user of record or 6 months from the date the product is shipped from the Venturo factory, whichever occurs first.
7. This six year warranty applies only to products shipped from the Venturo factory after January 1, 2004.
8. Venturo will pay the cost of parts and labor to repair or replace as necessary the defective component.
9. Venturo reserves the sole right to inspect item(s) claimed for warranty and decide the best way to handle any and all claims, including the replacement or repair of the warranted part.

Exclusions from Warranty

1. Warranty applies to the Venturo Crane Body and excludes all add-on attachments not manufactured by Venturo and all modifications and alterations not performed by Venturo.
2. Accessory products that are included in a customer order but not manufactured by Venturo (i.e. air compressors, hydraulic pumps, liftgates, generators, etc.) are covered by the accessory product manufacturer's warranty in effect at the time of delivery.
3. Paint or decals required following repairs or replacement of parts under warranty after one year from date the warranty period begins.
4. Products which have been misused, abused or damaged, inclusive of, but not limited to, accidents.
5. Fatigue cracking of the body structure caused by improper mounting, overloading, severe off-road applications, or shock loads induced by cranes or aerial devices.
6. Specific non-rust-through and paint warranty exclusions:
 - a. Products which have been used to carry corrosive materials, where such materials result in rust-through conditions.
 - b. Products purchased by the first owner/user in prime paint.
 - c. Products being warranted under the no rust-through warranty must have a hole rusted through the metal.
 - d. Rust on painted surfaces is not considered rust-through.
 - e. Paint deterioration caused by chemical reactions including, but not limited to, acid rain, industrial fallout or improper cleaning materials.
7. Products purchased or used outside the U.S.A. and Canada.
8. Products not properly maintained per Operator's Manual.
9. UNDER NO CIRCUMSTANCES, WHETHER IN CONTRACT, TORT, OR OTHERWISE, SHALL VENCO VENTURO INDUSTRIES LLC OR ITS AFFILIATES' AND SUBSIDIARIES' OR THEIR RESPECTIVE DIRECTORS', OFFICERS', SHAREHOLDERS', EMPLOYEES' OR AGENTS' (HEREINAFTER COLLECTIVELY "VENTURO") TOTAL LIABILITY ARISING IN CONNECTION WITH THE SALE EXCEED THE AMOUNT OF ANY SALES OR OTHER PROCEEDS RECEIVED BY VENTURO PURSUANT TO ANY CONTRACT OF SALE OR PURCHASE ORDER.
10. UNDER NO CIRCUMSTANCES, WHETHER IN CONTRACT, TORT, OR OTHERWISE, SHALL VENCO VENTURO INDUSTRIES LLC BE LIABLE FOR LIQUIDATED, SPECIAL, INDIRECT, INCIDENTAL, EXEMPLARY, OR CONSEQUENTIAL DAMAGES, EXPENSES, OR COSTS, INCLUDING, WITHOUT LIMITATION, LOST PROFITS, HOWSOEVER CAUSED AND EVEN IF THE POTENTIAL OF SUCH DAMAGES WAS DISCLOSED AND/OR KNOWN.
11. VENCO VENTURO INDUSTRIES LLC HEREBY DISCLAIMS AND EXCLUDES ANY OTHER EXPRESS, IMPLIED, OR STATUTORY WARRANTIES, ARISING BY OPERATION OF LAW OR OTHERWISE, INCLUDING, WITHOUT LIMITATION, ANY WARRANTIES OF MERCHANTABILITY AND FITNESS FOR A PARTICULAR PURPOSE.

VENCO VENTURO INDUSTRIES LLC
12110 BEST PLACE | CINCINNATI, OHIO 45241
P: 800-226-2238 | F: 513-326-5427
www.venturo.com