



**VENTURO**  
TRUCK MOUNTED CRANES

**CE1500FB**

*INSTALLATION & OWNER'S MANUAL*



**TABLE OF CONTENTS**  
**CE1500FB OWNER'S MANUAL**

**SECTION 100**                      **DESCRIPTION & SPECIFICATIONS**

- CE-020                      DIMENSIONS AND CAPACITIES
- CEV184                      WIRE ROPE & HOOK SPECIFICATIONS

**SECTION 150**                      **SAFETY**

- CE-044                      CRANE SAFETY AND HAZARDS
- 21376                      DECAL DRAWINGS & LIST
- 21409                      DECAL DRAWING & LIST
- CE-039                      OPERATING INSTRUCTIONS

**SECTION 200**                      **INSTALLATION**

- CE-045                      ASSEMBLY; BASE MOUNTING
- CE-160                      ASSEMBLY; WIRING DIAGRAM
- CE-075                      FOLDING BOOM STORAGE

**SECTION 400**                      **REPLACEMENT PARTS**

- CE-115                      REPLACEMENT PARTS DRAWING
- CE-111                      REPLACEMENT PARTS LIST
- CE-161                      REPLACEMENT HARDWARE DRAWING
- CE-162                      REPLACEMENT HARDWARE LIST
- CE-038                      DECAL LOCATIONS
- 20319                      KIT; FIELD SERVICE LABELS



VENCO VENTURO INDUSTRIES LLC  
 CINCINNATI, OHIO

TITLE	DATE	SECTION
TABLE OF CONTENTS	02-18-19	-
CE1500FB	SUPERSEDES	<b>CE-165</b>
	-	



**SECTION 100**

**DESCRIPTION**

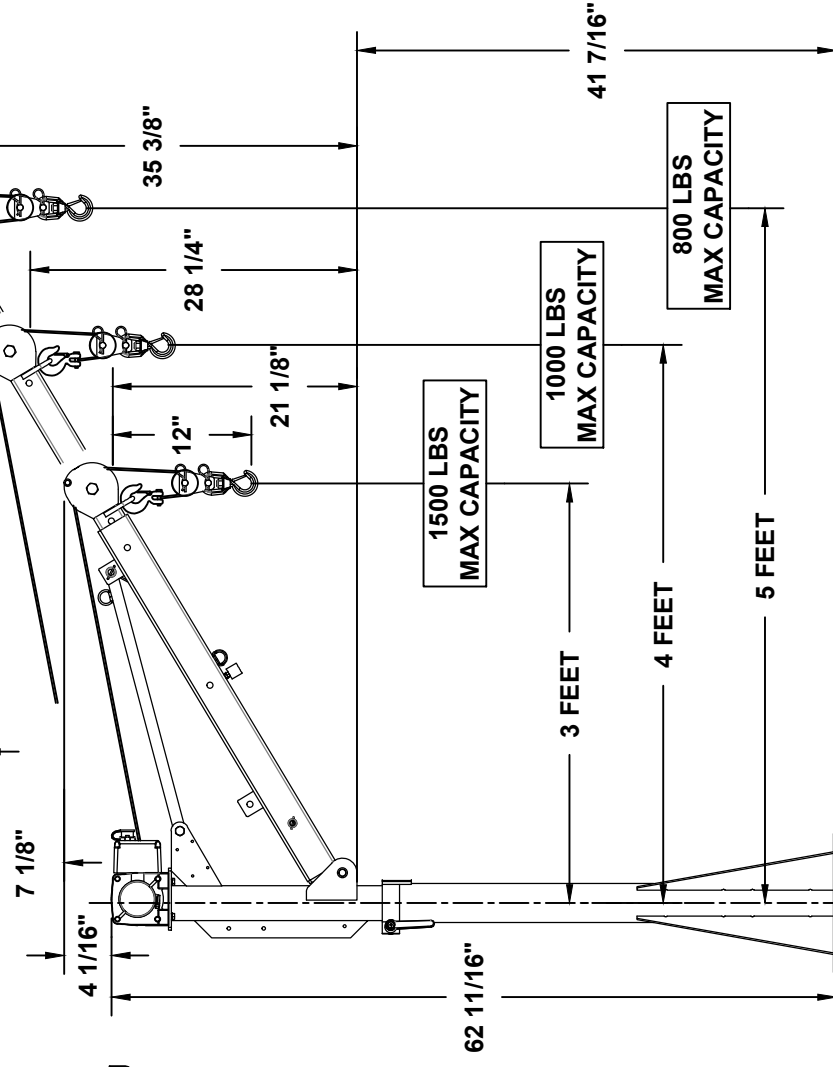
**&**

**SPECIFICATIONS**

# WARNING

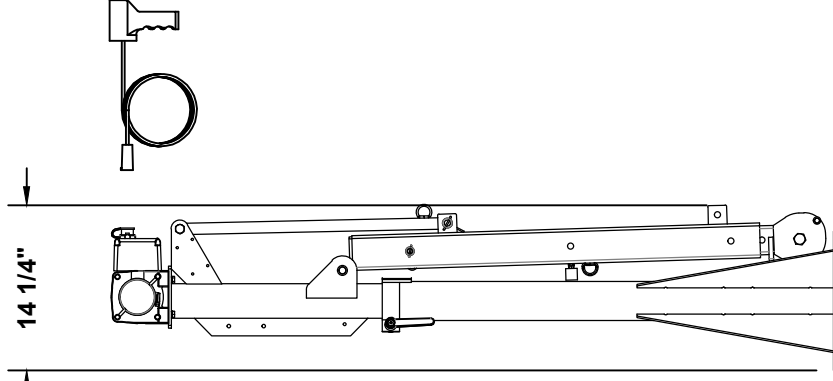
- THESE PRODUCTS ARE NOT PASSENGER LIFTS. THEY ARE NOT DESIGNED OR INTENDED TO BE USED TO LIFT, SUPPORT OR OTHERWISE TRANSPORT PERSONNEL.

**BOOM EXTENSION**  
PLACE BOOM PIN IN PROPER HOLE FOR DESIRED EXTENSION AND CAPACITY.

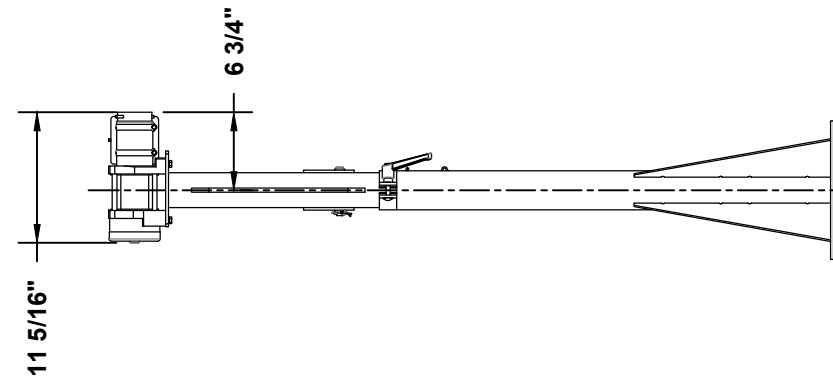


ELEVATED VIEW  
RIGHT SIDE

NOTE: CAPACITIES SHOWN FOR CE1500FB  
MUST USE LOAD BLOCK.



STOWED VIEW  
RIGHT SIDE



REAR VIEW

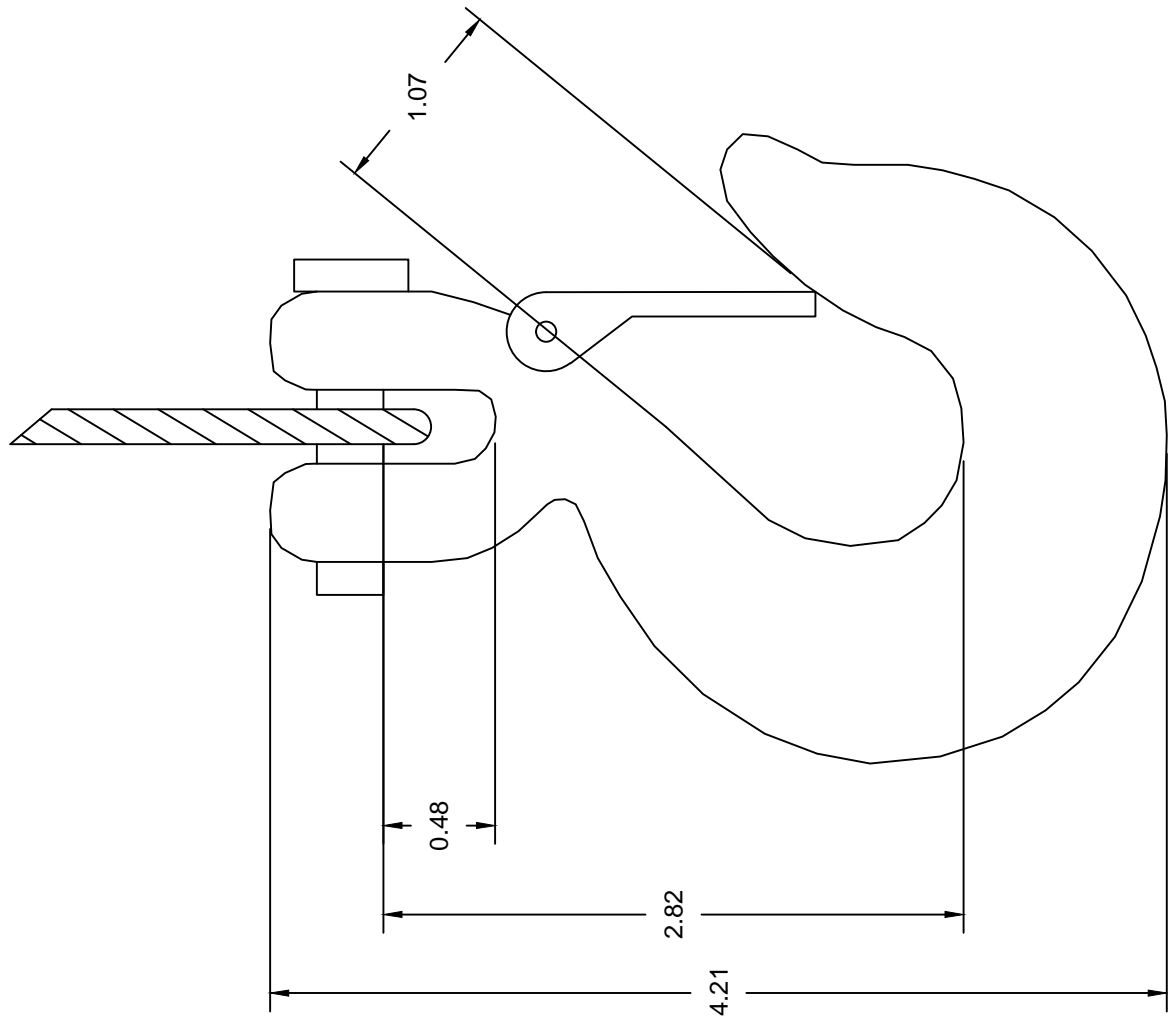
12" TYP 10" TYP  
4X Ø5/8" MOUNTING HOLES TYP

USE GRADE 5 1/2-13  
HEX HEAD CAP SCREWS

<b>TITLE</b> DIMENSIONS & CAPACITIES CE1500FB	<b>DATE</b> 02-01-19B	<b>SECTION</b> C100
	<b>SUPERSEDES</b> 05-04-98A	<b>CE-020</b>



VENCO VENTURO INDUSTRIES LLC  
CINCINNATI, OHIO



WIRE ROPE  
 CE-156  
 TYPE: 9/64" DIAMETER  
 A7 x 19, GALVANIZED  
 LENGTH: 60'

CLEVIS HOOK  
 CE-159

<b>VENTURO</b> <sup>®</sup> VENCO VENTURO INDUSTRIES LLC CINCINNATI, OHIO	TITLE	SECTION
	<b>WIREROPE &amp; HOOK SPECIFICATIONS</b> VC750FB & CE1500FB	C100
	DATE	SUPERSEDES
	01-29-19	***
		CEV184





# SECTION 150

## SAFETY

**CAUTIONS**

1. INSPECT VEHICLE AND CRANE, INCLUDING OPERATION, PRIOR TO USE DAILY.
2. DO NOT USE THIS EQUIPMENT EXCEPT ON SOLID, LEVEL SURFACE WITH CRANE MOUNTED ON FACTORY RECOMMENDED TRUCK.
3. BEFORE OPERATING THE CRANE, REFER TO MAXIMUM LOAD (CAPACITY) CHART ON CRANE FOR OPERATING (LOAD) LIMITATIONS.
4. DO NOT OPERATE, WALK, OR STAND BENEATH BOOM OR A SUSPENDED LOAD.
5. UNPLUG PENDANT (AND OPTIONAL ELECTRIC QUICK DISCONNECT, IF ON MODEL) WHEN NOT IN USE.
6. FOR TRAVEL, BOOM MUST BE TIED DOWN IN THE STOWED POSITION.

**DANGER**

- THIS CRANE IS NOT A PASSENGER LIFT
- IT IS NOT DESIGNED OR INTENDED TO BE USED TO LIFT, SUPPORT, OR OTHERWISE TRANSPORT PERSONNEL.

**YOU MUST NOT OPERATE THIS CRANE UNLESS :**

1. YOU HAVE BEEN TRAINED IN THE SAFE OPERATION OF THIS CRANE, **AND**
2. YOU KNOW AND FOLLOW THE SAFETY AND OPERATION RECOMMENDATIONS CONTAINED IN THE MANUFACTURER'S MANUALS, YOUR EMPLOYER'S WORK RULES, AND APPLICABLE GOVERNMENT REGULATIONS. AN UNTRAINED OPERATOR SUBJECTS THEMSELVES AND OTHERS TO DEATH OR SERIOUS INJURY.

REFERENCE SAFETY MANUAL INST-23233



VENCO VENTURO INDUSTRIES LLC  
CINCINNATI, OHIO

TITLE	DATE	SECTION
CRANE SAFETY & HZRDS	02-20-17E	C200
▲ CE-/CEV/ESV SERIES CRANES	SUPERSEDES 09-08-16D	CE-044

# OPERATING INSTRUCTIONS

CE-SERIES CRANES

## ELECTRIC WINCH

THE WINCH IS OPERATED BY A CONTROL SWITCH IN A PLUG-IN REMOTE PENDANT. UNPLUG THE PENDANT AND STORE IT IN THE VEHICLE WHEN THE CRANE IS NOT IN USE.

## TELESCOPING BOOM

ON CE CRANES THE BOOM CAN BE MANUALLY EXTENDED. THE HOLE IN THE SECONDARY ARM ASSEMBLY SHOULD BE ALIGNED WITH THE HOLE IN THE PRIMARY ARM. INSERT PIN ASSEMBLY. INSERT HAIRPIN COTTER IN THE END OF THE PIN ASSEMBLY.

## LOAD BLOCK

ON THE CE1500FB MODEL CRANES THE LOAD BLOCK MUST BE USED FOR ALL LOADS OVER 1000 LBS.

## ROTATION LOCK

BEFORE PULLING LOAD MAKE SURE THE BRAKE HANDLE IS TIGHTENED TO KEEP BOOM FROM ROTATING (DO NOT PULL ITEMS AT AN ANGLE. THE BOOM MUST BE PERPENDICULAR TO THE LOAD.)

## BOOM TIE DOWN

RELEASE SUPPORT BAR AND STORE CRANE IN THE FOLDED POSITION WITH PIN ASSEMBLY INCLUDED IN THE SUPPORT BAR (SEE DRAWING CE-075.)

## MASTER DISCONNECT SWITCH

SWITCH TO DISCONNECT POWER TO CRANE WHEN NOT IN USE.

# MAINTENANCE

## WINCH

THE WINCH IS PERMANENTLY LUBRICATED. THERE MAY BE GREASE LEAKAGE OUT OF THE WINCH, ESPECIALLY DURING THE FIRST FEW OPERATIONS. THIS IS NORMAL AND IT IS NOT NECESSARY TO GREASE OR OIL ANY PART OF THE WINCH AT ANY TIME.

## CABLE

INSPECT CABLE PERIODICALLY. IF ANY WEAR OR FRAYING EXISTS, REPLACE CABLE AT ONCE (SEE DRAWINGS CE-115 AND CE-111.)



VENCO VENTURO INDUSTRIES LLC  
CINCINNATI, OHIO

TITLE

OPERATING INSTRUCTIONS

DATE

02-01-19B

SECTION

C150

CE-SERIES CRANES

SUPERSEDES

05-05-98A

CE-039

PART NO.: 15390  
 DECAL: CAUTION - INSPECT VEHICLE & CRANE  
 FUNCTION: To inform the operator of key operating requirements.  
 QUANTITY: 1  
 PLACEMENT: Top of pedestal.



PART NO.: 15398  
 DECAL: UNPLUG REMOTE CONTROL  
 FUNCTION: To inform the operator to unplug remote control when not in use.  
 QUANTITY: 1  
 PLACEMENT: Near pendant socket.



PART NO.: 15672-800  
 DECAL: CAPACITY 800 LBS  
 FUNCTION: To show the operator the capacity at 5 foot boom length.  
 QUANTITY: 2  
 PLACEMENT: One on each side of boom above pin holes.



PART NO.: 15672-1000  
 DECAL: CAPACITY 1000 LBS  
 FUNCTION: To show the operator the capacity at 4 foot boom length.  
 QUANTITY: 2  
 PLACEMENT: One on each side of boom near pin holes.



PART NO.: 15672-1500  
 DECAL: CAPACITY 1500 LBS  
 FUNCTION: To show the operator the capacity at 3 foot boom length.  
 QUANTITY: 2  
 PLACEMENT: One on each side of boom above pin holes.



PART NO.: 19733  
 DECAL: MODEL NAME  
 FUNCTION: To show the model of the crane.  
 QUANTITY: 2  
 PLACEMENT: One on each side of boom.



MFG., INC.  
 CINCINNATI, OHIO

TITLE  
**DECAL DRAWINGS & LIST**

DATE  
**9-13-05**

SECTION  
**C150**

**CE1500FB**

SUPERSEDES  
 -

**21376**

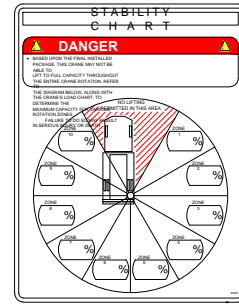
PART NO.: 20927

DECAL: CRANE STABILITY

FUNCTION: To inform the operator of the crane's lifting capacity throughout the entire rotation.

QUANTITY: 1

PLACEMENT: In prominent location, so it is easily seen and readily identifiable.



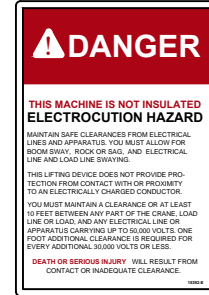
PART NO.: 15392

DECAL: DANGER, ELECTROCUTION HAZARD, MACHINE (CRANE)

FUNCTION: To inform operator that machine (crane) represents an electrocution hazard should it come close to or in contact with an electrical voltage source.

QUANTITY: 1

PLACEMENT: Upper mast on side, opposite primary boom.



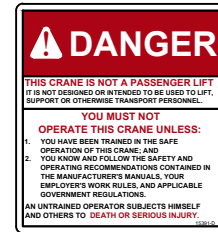
PART NO.: 15391

DECAL: DANGER, NOT A PASSENGER LIFT

FUNCTION: To inform the operator not to lift, support, or transport personnel, and to ensure operator is adequately trained.

QUANTITY: 1

PLACEMENT: Upper mast on side, opposite primary boom.



PART NO.: 17389-4

DECAL: VENTURO

FUNCTION: Manufacturer's logo

QUANTITY: 2

PLACEMENT: Primary boom, both sides near mast.



VENCO VENTURO INDUSTRIES LLC  
CINCINNATI, OHIO

TITLE  
DECAL DRAWING & LIST

DATE  
01-31-19A

SECTION  
C150

CE1500FB

SUPERSEDES  
06-06-14

21409

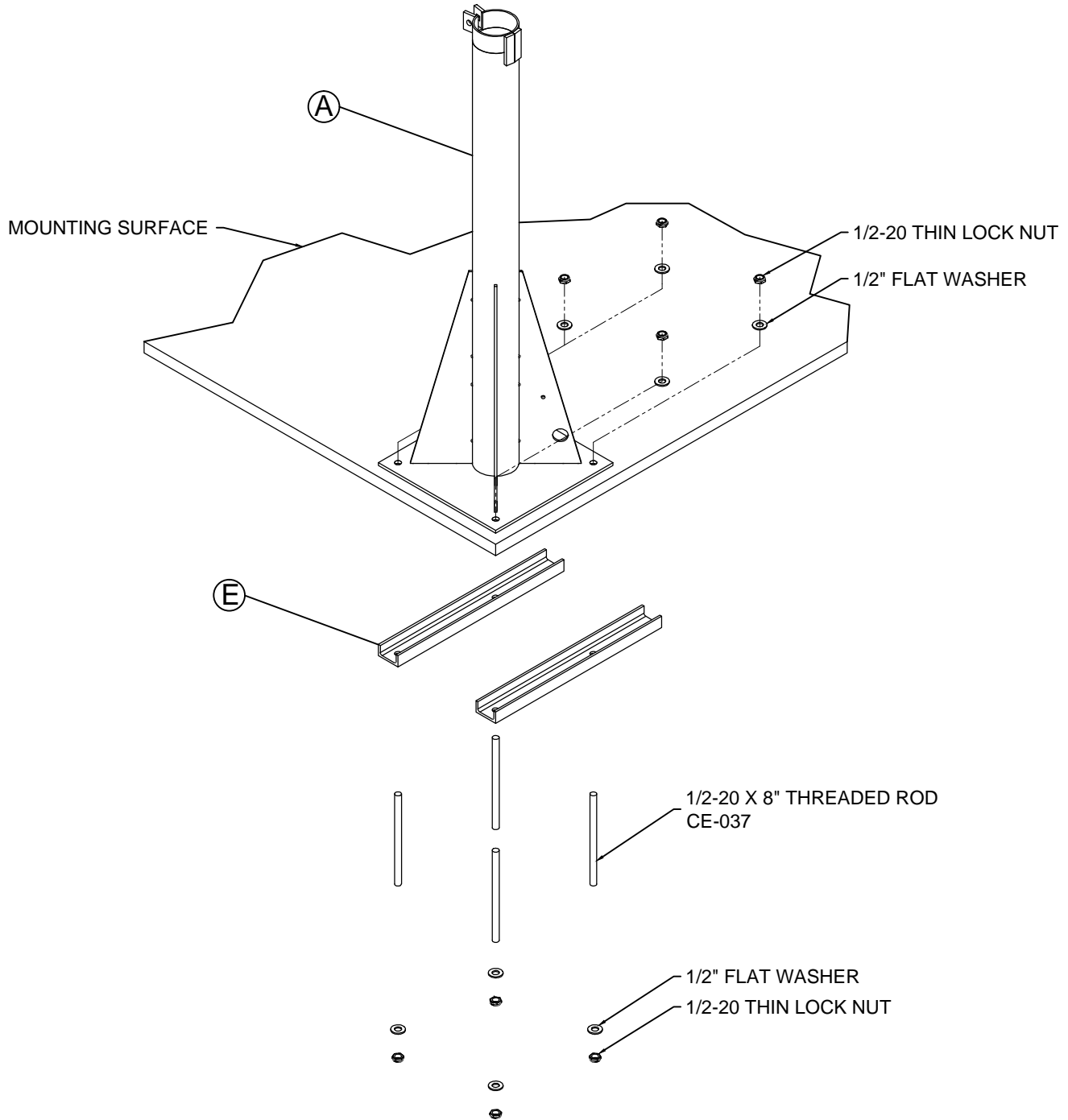
# SECTION 200

## INSTALLATION

# MOUNTING INSTRUCTIONS

## MOUNT BASE AS FOLLOWS:

1. DRILL 4 HOLES IN MOUNTING SURFACE  $\varnothing 9/16"$  ON A 10" SQUARE BOLT PATTERN.
2. ASSEMBLE (1) 1/2" FLAT WASHER AND (1) 1/2-20 LOCK NUT TO EACH MOUNTING BOLT.
3. INSERT THE MOUNTING BOLT INTO THE BASE (A).
4. PLACE THE MOUNTING CHANNELS (E) WITH THE LEGS FACING UP UNDERNEATH THE MOUNTING SURFACE.
5. ASSEMBLE MOUNTING CHANNELS TO MOUNTING BOLTS.



VENCO VENTURO INDUSTRIES LLC  
CINCINNATI, OHIO

TITLE

MOUNTING INSTRUCTIONS

DATE

02-06-19B

SECTION

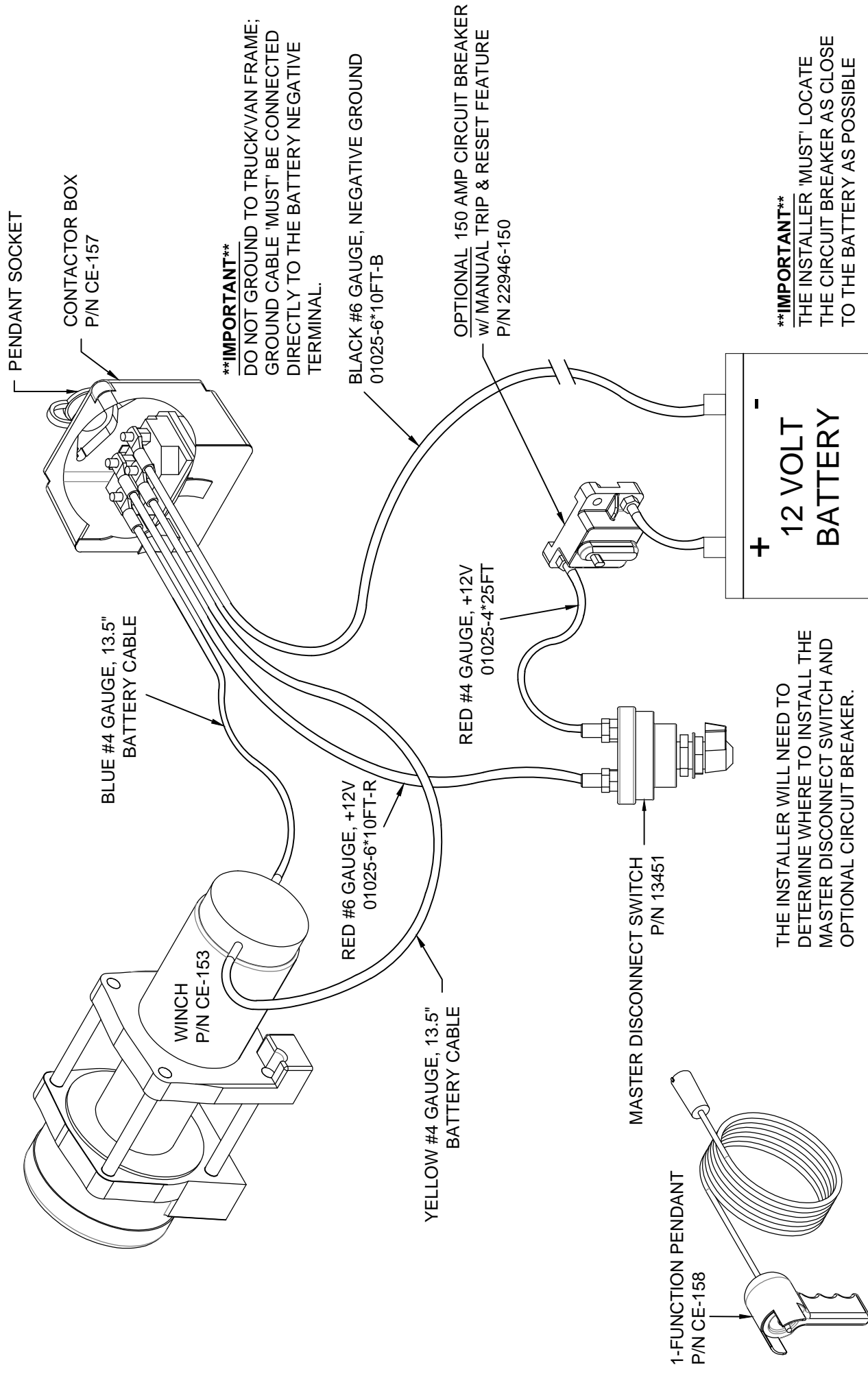
C200

CE1500FB

SUPERSEDES


05-04-98A

CE-045



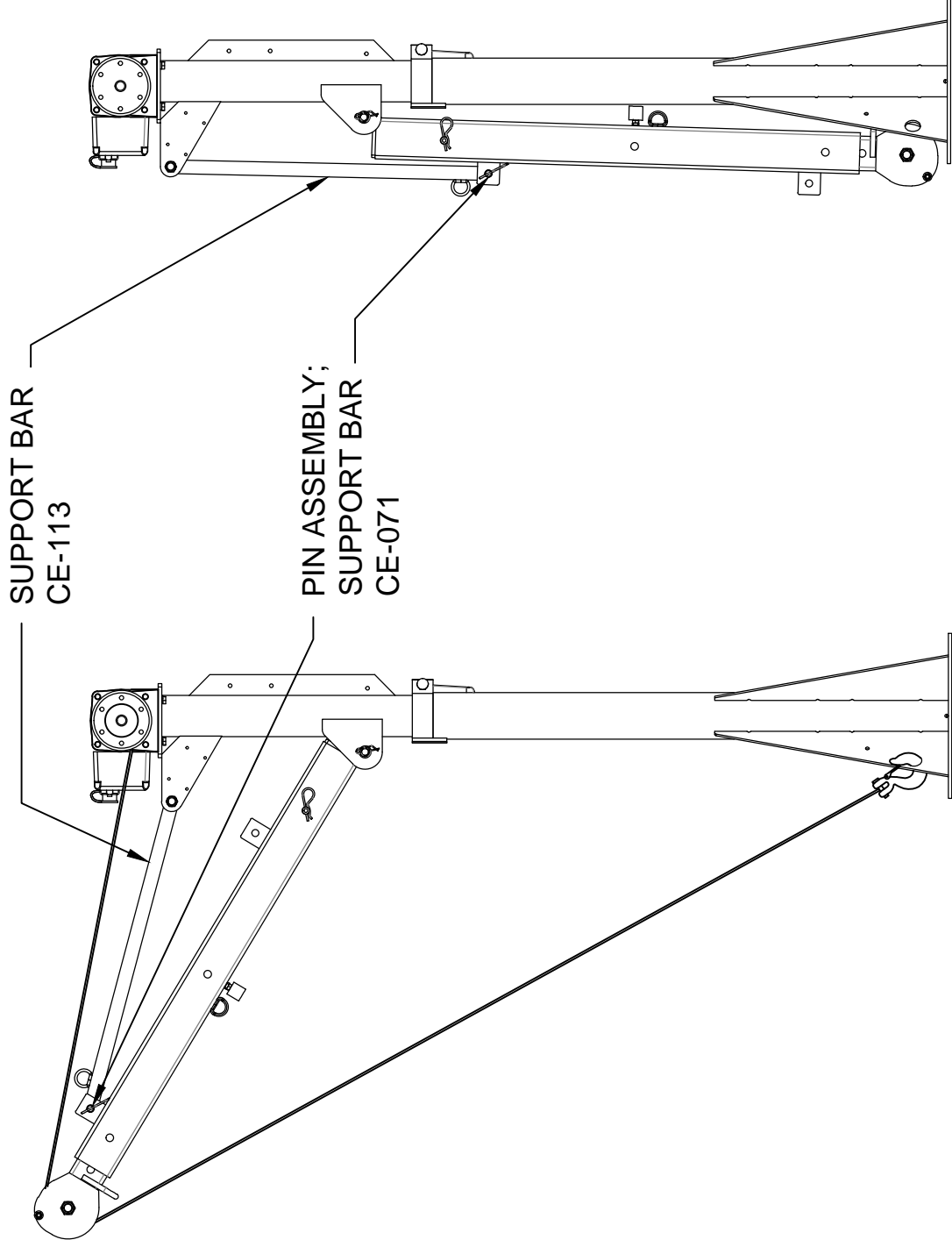
**\*\*IMPORTANT\*\***  
THE INSTALLER 'MUST' LOCATE  
THE CIRCUIT BREAKER AS CLOSE  
TO THE BATTERY AS POSSIBLE

THE INSTALLER WILL NEED TO  
DETERMINE WHERE TO INSTALL THE  
MASTER DISCONNECT SWITCH AND  
OPTIONAL CIRCUIT BREAKER.

 VENTURO® VENCO VENTURO INDUSTRIES LLC CINCINNATI, OHIO	TITLE	SECTION
	<b>WIRING DIAGRAM</b> CE1500FB	DATE <b>02-19-19A</b> <small>SUPERSEDES</small> <b>01-24-19</b>



TO STORE CE1500FB, REMOVE PIN IN THE SUPPORT BAR,  
LOWER BOOM, AND PUT PIN BACK IN THE SUPPORT BAR.



VENCO VENTURO INDUSTRIES LLC  
CINCINNATI, OHIO

TITLE  
**STORAGE**  
CE1500FB

DATE  
**02-01-19B**  
SUPERSEDES  
**05-04-98A**

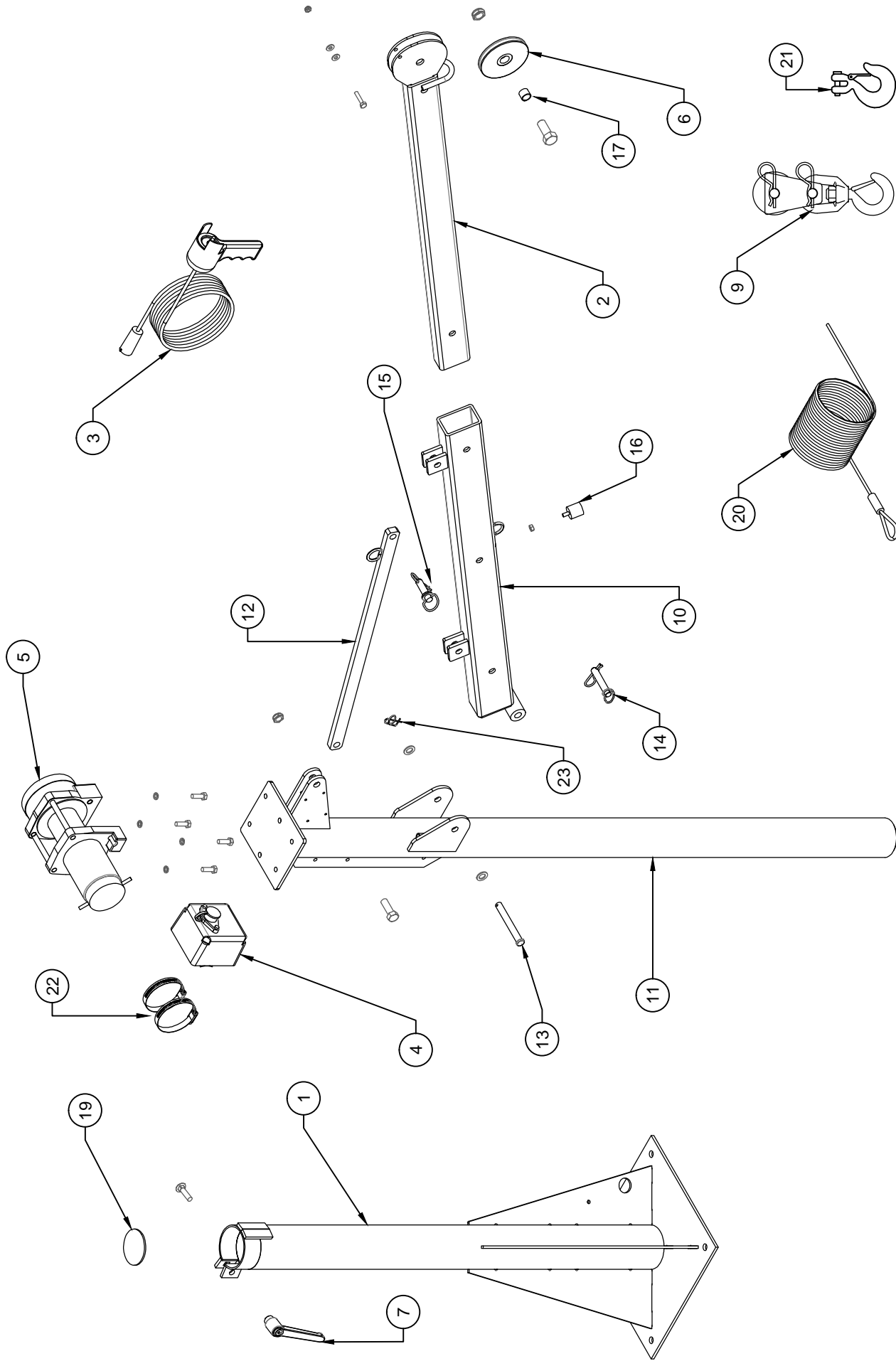
SECTION  
**C200**  
**CE-075**



# SECTION 400

## PARTS





SEE REPLACEMENT PARTS LIST #CE-111

	VENGCO VENTURO INDUSTRIES LLC CINCINNATI, OHIO		TITLE	REPLACEMENT PARTS, EXPLODED	CE1500FB
	DATE 01-31-19D SUPERSEDES 09-02-15C	SECTION C400	CE-115		

ITEM	PART NUMBER	QTY	DESCRIPTION
1	CE-002-4	1	BASE ASSEMBLY
2	CE-005	1	SECONDARY BOOM ASSEMBLY
3	CE-158	1	PENDANT
4	CE157	1	CONTACTOR BOX
5	CE-153	1	WINCH (MODEL: COMEUP GTD-650)
6	19646	1	SHEAVE WITH BUSHING
7	CE-017	1	BRAKE HANDLE
8	-	-	-
9	CE-050	1	LOAD BLOCK
10	CE-058	1	PRIMARY BOOM ASSEMBLY
11	CE-059-2	1	UPPER BODY ASSEMBLY
12	CE-113	1	SUPPORT BAR
13	CEV165	1	CLEVIS PIN Ø1/2" X 4" LONG, PLATED
14	CE-070	1	PIN ASSEMBLY; PRIMARY ARM
15	CE-071	1	PIN ASSEMBLY; SUPPORT BAR
16	PL-20-364	1	BUMPER
17	13168-7	1	SLEEVE
18	-	-	-
19	CE-109	1	LOWER BEARING; WHITE DELRIN, 1/8 X 2-3/4 O.D.
20	CE-156	1	WIRE ROPE
21	CE-159	1	CLEVIS HOOK
22	CE-154	2	HOSE CLAMP; Ø2 9/16" - 3 1/2"
23	416554	1	RUE RING COTTER; 5/8", ZINC PLATED
24	-	-	-
25	-	-	-

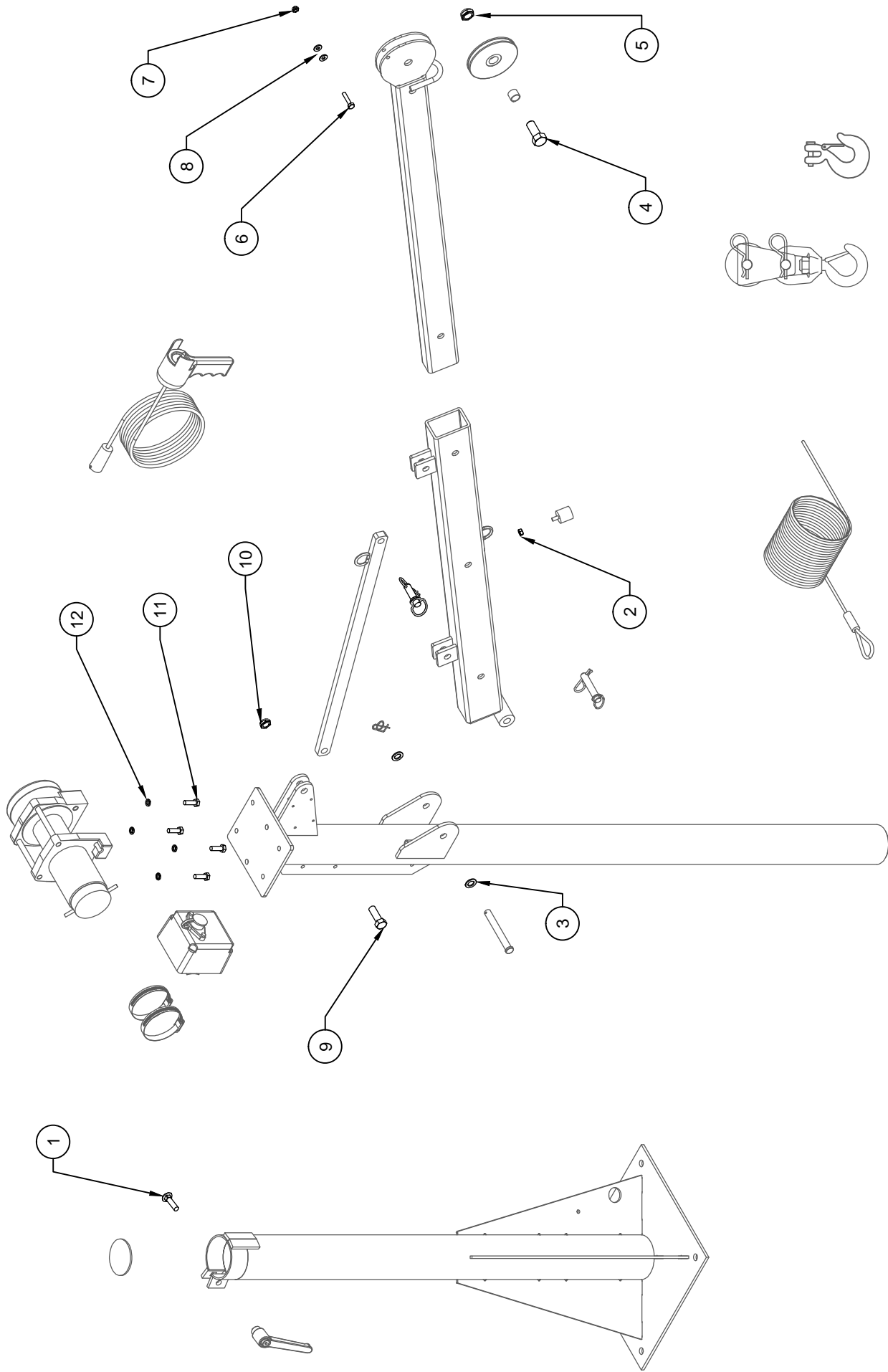
TITLE  
**REPLACEMENT PARTS LIST**  
CE1500FB

DATE  
**02-01-19G**  
SUPERSEDES  
**04-25-16F**

SECTION  
**C400**  
**CE-111**

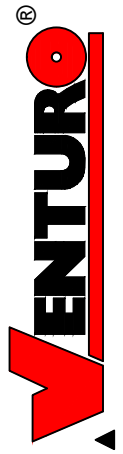


VENCO VENTURO INDUSTRIES LLC  
CINCINNATI, OHIO



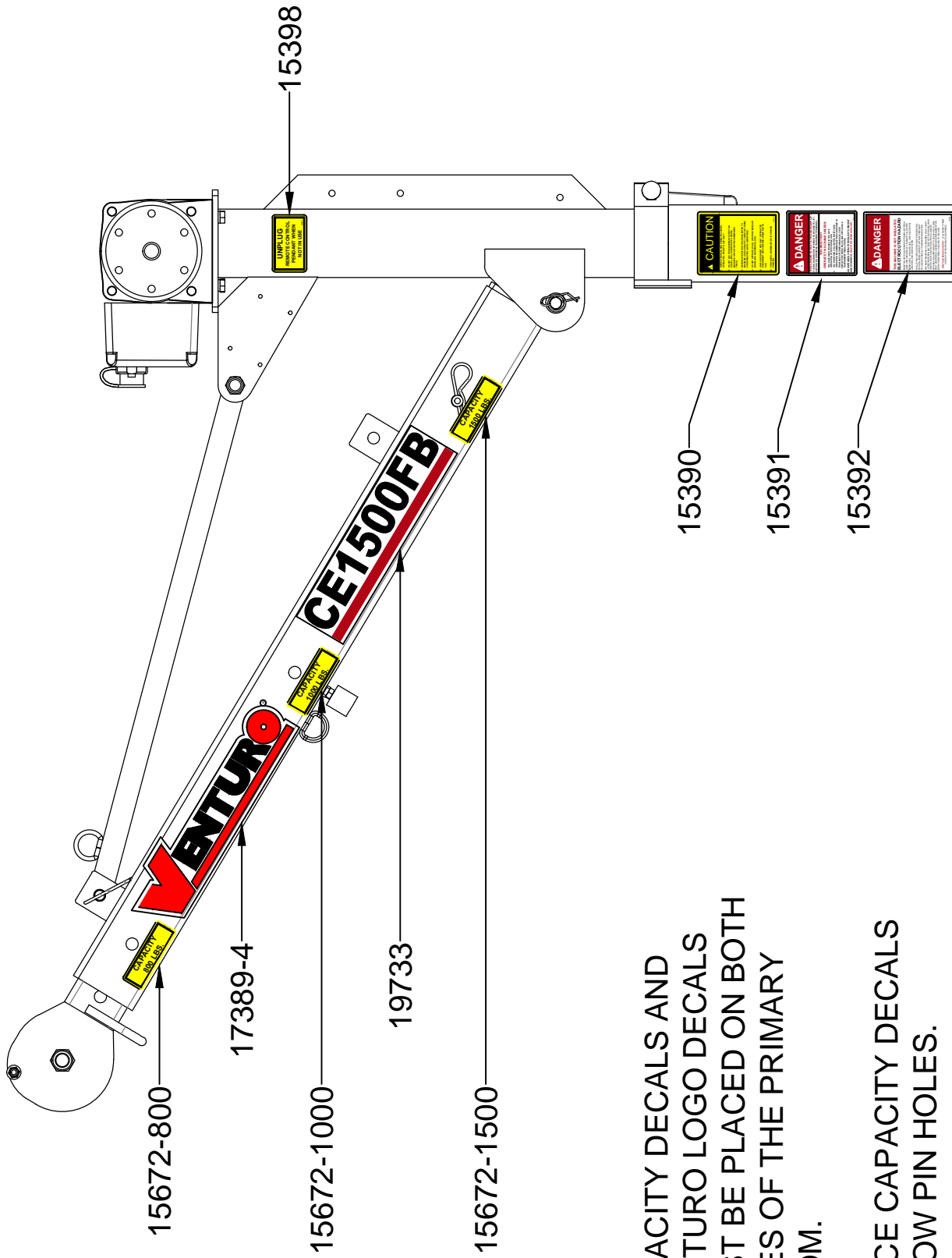
SEE REPLACEMENT HARDWARE LIST #CE-162

<p>TITLE</p> <p><b>REPLACEMENT HARDWARE, EXPLODED</b></p> <p>CE1500FB</p>	<p>DATE</p> <p>01-31-19</p> <p>SUPERSEDES</p> <p>***</p>	<p>SECTION</p> <p>C400</p>	<p>VENCO VENTURO INDUSTRIES LLC</p> <p>CINCINNATI, OHIO</p>
<p>CE-161</p>			



ITEM	QTY	PART NO.	DESCRIPTION
1	1	!CHCS03816150	CARRIAGE BOLT; 3/8-16 X 1-1/2" LG., GR. 5
2	1	!HNUT-02520S	HEX NUT; 1/4-20, S/S
3	2	12534-4	BUSHING; 1/2", 14G, PLATED
4	1	!HHCS06311150-8	HEX HEAD CAP SCREW; 5/8-11 X 1-1/2" LG., GR. 8
5	1	!JNUT-06311N	JAM NUT; 5/8-11, GR. 5, NYLOC
6	1	!HHCS02520125S	HEX HEAD CAP SCREW; 1/4-20 X 1-1/2" LG., S/S
7	1	!LNUT-02520NS	LOCK NUT; 1/4-20, S/S NYLOC
8	2	!FWSH-025S	FLAT WASHER; 1/4", S/S
9	1	!HHCS05013150	HEX HEAD CAP SCREW; 1/2-13 X 1-1/2" LG., GR. 5
10	1	!JNUT-05013N	JAM NUT; 1/2-13, NYLOC, GR. 5
11	4	!HHCSM8100025-8.8	HEX HEAD CAP SCREW; M8-1.00 X 25MM, GR. 8.8
12	4	!LWSHM8-8.8	LOCK WASHER; M8, GR. 8.8
13	-	-	-
14	-	-	-
15	-	-	-
16	-	-	-
17	-	-	-
18	-	-	-
19	-	-	-
20	-	-	-

 <b>VENTURO</b> <sup>®</sup>	VENCO VENTURO INDUSTRIES LLC CINCINNATI, OHIO		TITLE	REPLACEMENT HARDWARE LIST	SECTION	C400
			CE1500FB	DATE	02-01-19	
				SUPERSEDES	***	CE-162



**NOTE:**

CAPACITY DECALS AND  
VENTURO LOGO DECALS  
MUST BE PLACED ON BOTH  
SIDES OF THE PRIMARY  
BOOM.

PLACE CAPACITY DECALS  
BELOW PIN HOLES.

<b>VENTURO</b> <sup>®</sup> VENCO VENTURO INDUSTRIES LLC CINCINNATI, OHIO	TITLE	DECAL PLACEMENTS	DATE	SECTION
		CE1500FB	01-31-19C SUPERSEDES 07-26-12B	C400 CE-038



# CE1500FB

19387 FIELD SERVICE LABEL KIT

19387 FIELD SERVICE LABEL KIT		
PART NO.	QTY.	DESCRIPTION
17389-4	2	VENTURO DECAL (SMALL)
19733	2	MODEL DECAL; CE1500FB
15682-800	2	CAPACITY DECAL - 800 LBS
15682-1000	2	CAPACITY DECAL - 1000 LBS
15682-1500	2	CAPACITY DECAL - 1500 LBS
15397	1	ACCIDENT PREVENTION SIGNS

15397 ACCIDENT PREVENTION SIGNS		
PART NO.	QTY.	DESCRIPTION
15390	1	DECAL; CAUTION, OPERATIONS
15391	1	DECAL; DANGER, NOT PASSENGER LIFT
15392	1	DECAL; DANGER, ELECTRICAL HAZARD SIGN
15393	4	DECAL; DANGER, ELECTRICAL HAZARD
15394	1	APPLICATION INSTRUCTIONS
15398	1	DECAL; UNPLUG PENDANT
15401	1	DECAL; UNLAWFUL TO OPERATE
15513	1	DECAL; MASTER DISCONNECT
22317	1	DECAL SHEET; VENTURO, COMPLEMENTARY
20927	1	DECAL; CRANE STABILITY



VENCO VENTURO INDUSTRIES LLC  
CINCINNATI, OHIO

TITLE  
FIELD SERVICE LABEL KIT

DATE  
02-04-19A

SECTION  
C400

CE1500FB

SUPERSEDES  
06-28-06

20319







# VENTURO CRANES LIMITED WARRANTY POLICY

Venturo products are built to last...we guarantee them.

As a purchaser of any new Venturo product covered by warranty, you will receive 1 year of the most complete coverage available...and, at no added cost to you.

## 1-Year Limited Warranty Policy

This limited policy warrants new products of Venturo to be free from defects in material and workmanship for a period of one (1) year from date of original installation. OEM products or accessories purchased by Venturo as part of or offered with our product will carry the OEM manufacturer's respective warranty. Our warranty covers:

- ***Repair or replacement of product***
- ***Labor to repair or replace product***
- ***Freight to return and/or replace product***

We shall not be liable for any contingent liabilities arising out of the improper function of any products. Warranty shall become void if the product is improperly installed, modified, damaged, abused or used for application other than intended use. There is no warranty of merchantability, fitness for a particular purpose, warranty arising from course of dealing or usage of trade, or any other implied or expressed warranty, except as made specifically herein. This warranty supersedes all previous warranties, written or implied.

## Warranty Claims

Venco Venturo Industries LLC will make a good faith effort for prompt correction or other adjustment with respect to any product, which proves to be defective after our inspection and within the warranty period. Before any repairs are attempted or before returning any product, your Venturo Distributor is required to obtain a warranty claim number. This number is necessary for any claim to be considered. To obtain a warranty claim number, Venturo requires the model and serial number. Only authorized Venturo Distributors can perform warranty. For the name and address of your local Venturo Distributor call the **Warranty Claim Department - 513-772-8448**.

**WARNING** - It is the responsibility of the installer to ensure the installation is completed according to the manufacturer's recommendations, ensure the ultimate user understands how to operate product in a safe manner, and understands the need for regular service and maintenance by an authorized Venturo Distributor. No modifications or alterations may be made to any Venturo product without the expressed written consent of Venco Venturo Industries LLC. Installation of any Venturo product must be done by an authorized Venturo Distributor, to the standards of the industry; including maintenance, service and affixing of all instruction, safety and warning decals. Users should be instructed as to the safe operation at time of delivery. Maintenance, service, operation and safety warning decals are available on request from Venco Venturo Industries LLC.

**VENCO VENTURO INDUSTRIES LLC**  
12110 BEST PLACE | CINCINNATI, OHIO 45241  
P: 800-226-2238 | F: 513-326-5427  
[www.venturo.com](http://www.venturo.com)