

The background of the entire page is a repeating pattern of diamond-shaped metal plates, similar to those used on truck-mounted cranes. In the center, there is a large, faint silhouette of a truck-mounted crane. Overlaid on this are three rectangular panels, each with four corner bolts, resembling metal nameplates. The top panel is black with a red and white logo. The middle panel is black with white text. The bottom panel is white with black text.

VENTURO
TRUCK MOUNTED CRANES

CE1500FB

INSTALLATION & OWNER'S MANUAL

Sold and Serviced by:

TABLE OF CONTENTS

CE-1500-FB

<u>PAGE</u>	<u>DESCRIPTION</u>	<u>REF. NO.</u>
-	CONTENTS PAGE	CE-077
1	CRANE SAFETY AND HAZARDS	CE-044
2	OPERATING INSTRUCTIONS	CE-039
3	DIMENSIONS AND CAPACITIES	CE-020
4	ASSEMBLY PAGE 1 UNPACKING	CE-101
5	ASSEMBLY PAGE 2 BASE MOUNTING	CE-045
6	ASSEMBLY PAGE 3 PRIMARY ARM	CE-102
7	ASSEMBLY PAGE 4 SECONDARY ARM & WINCH	CE-103
8	ASSEMBLY PAGE 5 WIRING DIAGRAM	CE-022
9	ASSEMBLY PAGE 6 HOOK, SHEAVE, PULLEY BLOCK	CE-104
10	DECAL LOCATIONS	CE-038
11	FOLDING BOOM STORAGE	CE-075
12	CE-1500-FB REPLACEMENT PARTS DWG.	CE-073
13	CE-1500-FB REPLACEMENT PARTS LIST	CE-074
14	CE-1500-FB AC REPLACEMENT PARTS DWG.	CE-096
15	CE-1500-FB AC REPLACEMENT PARTS LIST	CE-097
16	WINCH REPLACEMENT PARTS	CE-055
BACK	WARRANTY POLICY	12-00073



MFG., INC.
CINCINNATI, OHIO

TITLE
TABLE OF CONTENTS

CE-1500-FB

DATE
5-5-98

SUPERCEDES
6-7-94

SECTION

-
CE-077

CRANE SAFETY AND HAZARDS

CE-SERIES CRANES

CAUTIONS

1. INSPECT VEHICLE AND CRANE, INCLUDING OPERATION, PRIOR TO USE DAILY.
2. DO NOT USE THIS EQUIPMENT EXCEPT ON SOLID, LEVEL SURFACE WITH CRANE MOUNTED ON FACTORY-RECOMMENDED TRUCK.
3. BEFORE OPERATING THE CRANE, REFER TO MAXIMUM LOAD (CAPACITY) CHART ON CRANE FOR OPERATING (LOAD) LIMITATIONS.
4. DO NOT OPERATE, WALK, OR STAND BENEATH BOOM OR A SUSPENDED LOAD.
5. UNPLUG PENDANT (AND OPTIONAL ELEC. QUICK DISCONNECT IF ON MODEL) WHEN NOT IN USE.
5. FOR TRAVEL, BOOM MUST BE TIED DOWN IN THE STOWED POSITION.

DANGER

- THIS CRANE IS NOT A PASSENGER LIFT
- IT IS NOT DESIGNED OR INTENDED TO BE USED TO LIFT, SUPPORT, OR OTHERWISE TRANSPORT PERSONNEL.

YOU MUST NOT OPERATE THIS CRANE UNLESS

1. YOU HAVE BEEN TRAINED IN THE SAFE OPERATION OF THIS CRANE
AND
2. YOU KNOW AND FOLLOW THE SAFETY AND OPERATING RECOMMENDATIONS CONTAINED IN THE MANUFACTURER'S MANUALS, YOUR EMPLOYER'S WORK RULES, AND APPLICABLE GOVERNMENT REGULATIONS. AN UNTRAINED OPERATOR SUBJECTS HIMSELF AND OTHERS TO DEATH OR SERIOUS INJURY.



TITLE	INSTALLATION DWG	DATE	5-5-98	SECTION	C200
	CE-SERIES CRANES	SUPERCEDES	7-3-90		CE-044

OPERATING INSTRUCTIONS

CE-SERIES CRANES

ELECTRIC WINCH

The winch is operated by a control switch in a plug-in remote pendant. Unplug the pendant and store it in the vehicle when the crane is not in use. For optional 110 volt AC winch the pendant is non-removable.

TELESCOPING BOOM

On CE Cranes the boom can be manually extended. The hole in the secondary arm assembly should be aligned with the hole in the primary arm. Insert pin assembly. Insert hairpin cotter in the end of the pin assembly.

SNATCH BLOCK

On the CE-1500-FB model cranes the snatch block must be used for all loads over 1000 lbs.

ROTATION LOCK

Before pulling load make sure the brake handle is tightened to keep boom from rotating (do not pull items at an angle. The boom must be perpendicular to the load).

BOOM TIE DOWN

Release support bar and store crane in the folded position with pin assembly included in the support bar (see drawing CE-075).

MANUAL CRANK

Store manual crank in the two sleeves located opposite of the solenoid box.

CAUTION: Boom must be folded and secure before driving vehicle. Do not drive with boom extended out.

OPTIONAL ELECTRIC QUICK DISCONNECT

Unplug quick disconnect when not operating crane. Optional electric quick disconnect not used in 110 volt AC cranes.

MAINTENANCE

WINCH

The winch is permanently lubricated. There may be grease leakage out of the winch, especially during the first few operations. This is normal and it is not necessary to grease or oil any part of the winch at any time.

CABLE

Inspect cable periodically. If any wear or fraying exists replace cable at once (see drawing CE-055).



MFG., INC.
CINCINNATI, OHIO

TITLE
INSTALLATION DWG

CE-SERIES CRANES

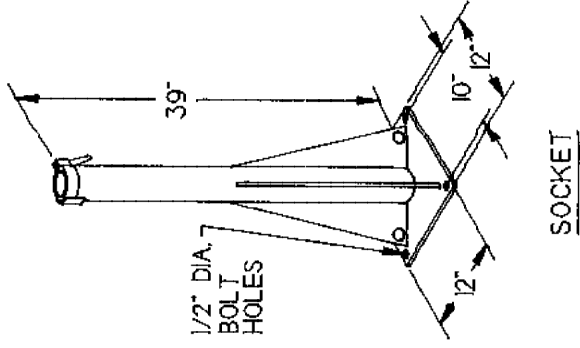
DATE
5-5-98

SUPERCEDES
6-7-94

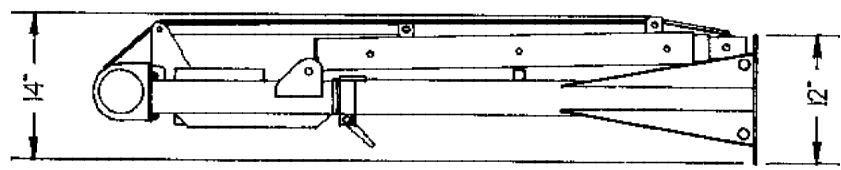
SECTION
C200

CE-039

WARNING: THESE PRODUCTS ARE NOT PASSENGER LIFTS. THEY ARE NOT DESIGNED OR INTENDED TO BE USED TO LIFT, SUPPORT OR OTHERWISE TRANSPORT PERSONNEL.

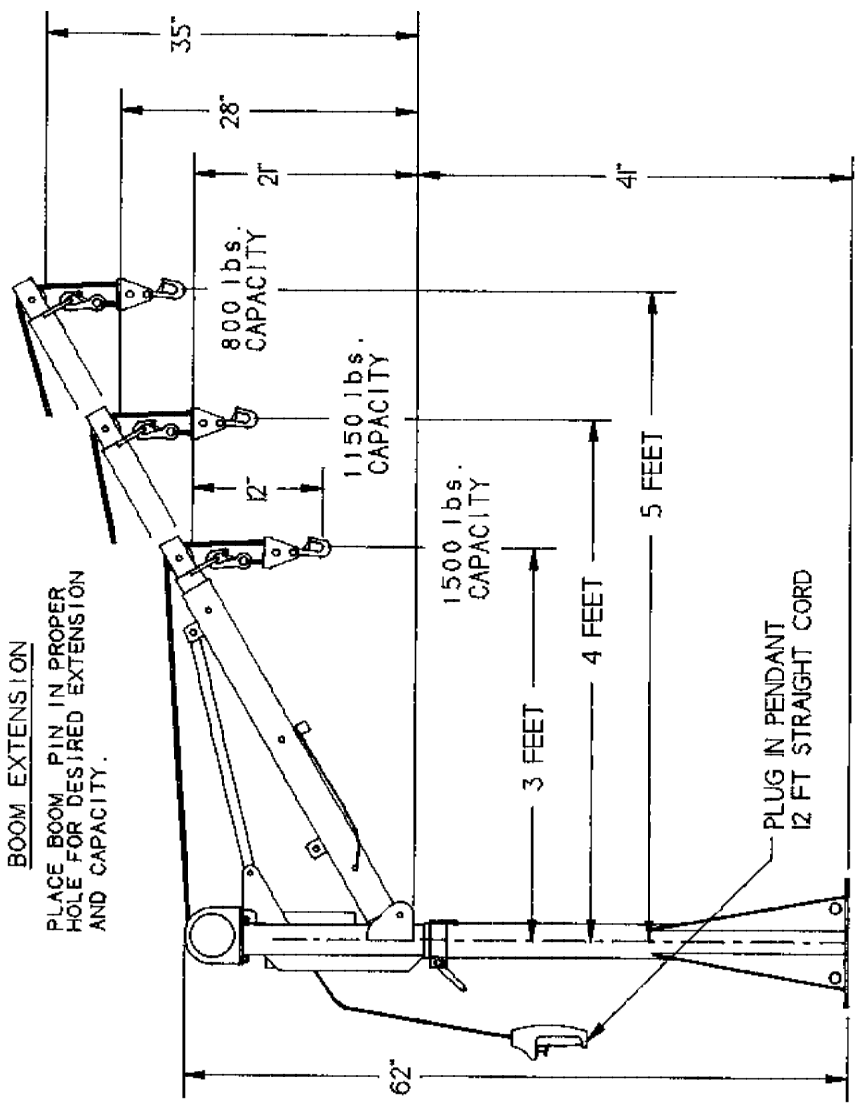


FOLDED POSITION



BOOM EXTENSION

PLACE BOOM PIN IN PROPER HOLE FOR DESIRED EXTENSION AND CAPACITY.



NOTE: CAPACITIES SHOWN FOR CE-1500 FB MUST USE SNATCH BLOCK.

VENTURO MANUFACTURING, INC. CINCINNATI, OHIO	TITLE DIMENSIONS & CAPACITIES CE-1500-FB		DATE 5-4-98 <small>SUPPERCEDES</small> 9-29-95	SECTION C200
	CE-020			

ASSEMBLY INSTRUCTIONS

TOOLS REQUIRED - (1) 6" ADJUSTABLE WRENCH AND (1) DRILL WITH A 9/16" DRILL BIT.

STEP 1 - REMOVE ITEMS FROM SHORT BOX (FIGURE 1) AND ITEMS FROM LONG BOX (FIGURE 2).

STEP 2 - SEPARATE ITEMS BANDED TOGETHER: (A) BASE, (B) UPPER BODY, (C) PRIMARY ARM, (D) SECONDARY ARM, (E) MOUNTING CHANNELS, (F) SUPPORT BAR.

NOTE: MOUNTING AND INSTALLATION HARDWARE SHIPPED IN BOX WITH WINCH.

STEP 1

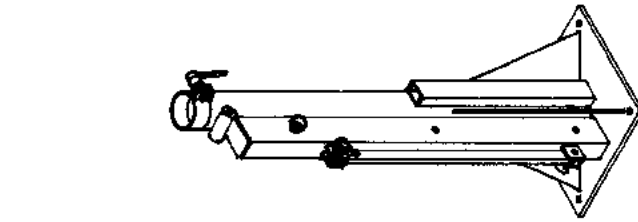


FIGURE 1

STEP 2

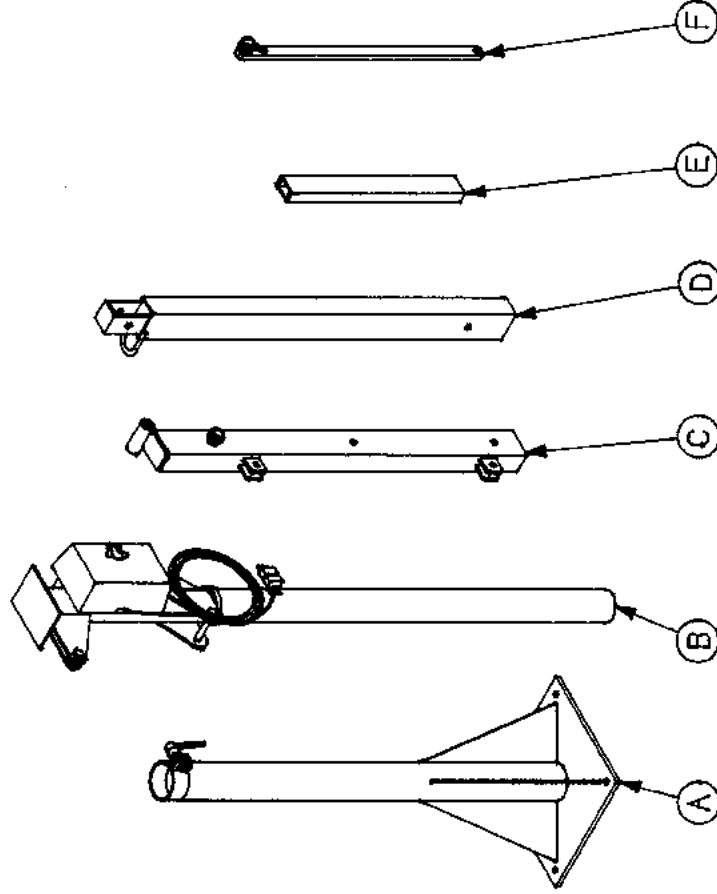


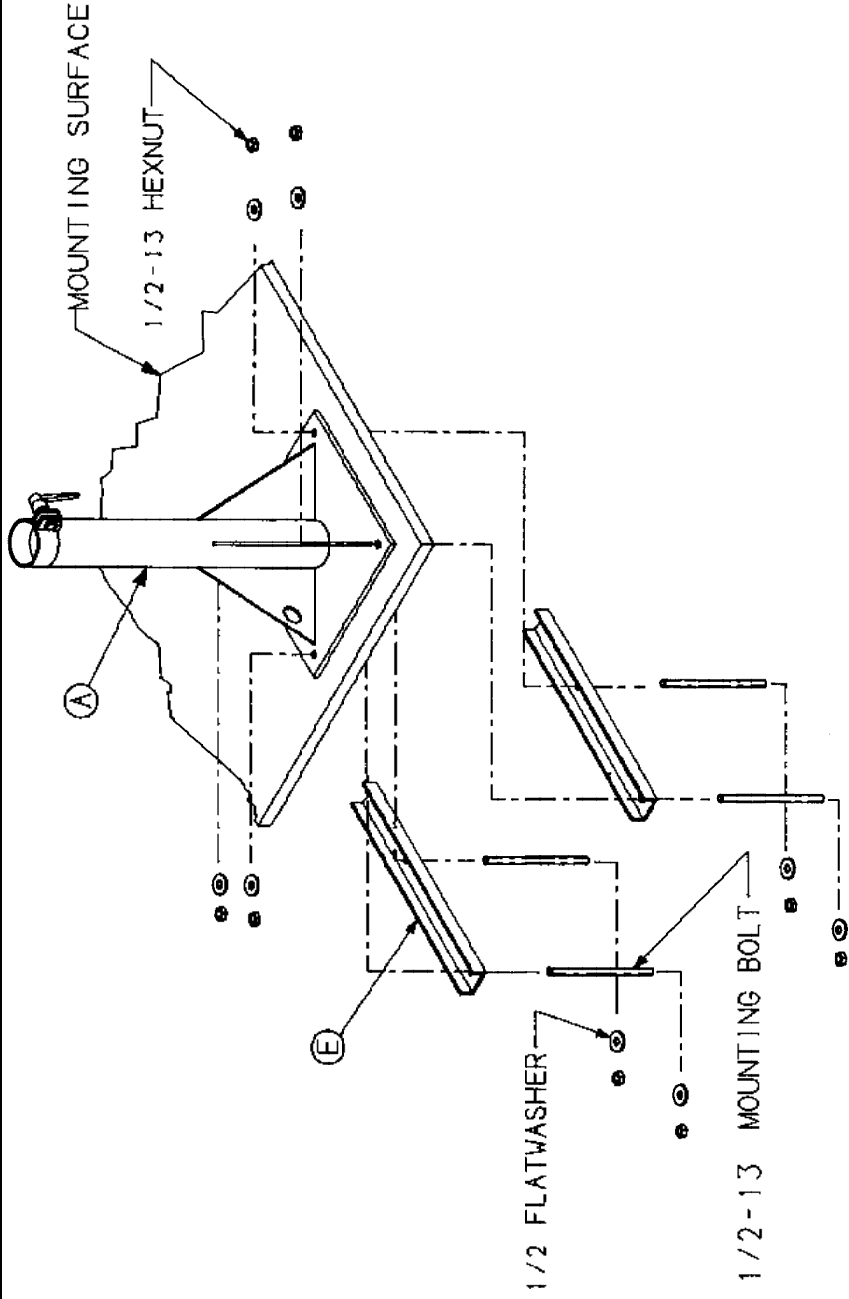
FIGURE 2

TITLE ASSEMBLY CE CRANES	DATE 5-4-98	SECTION C200
	SUPERCEDES 10-15-90	CE-101

VENTURO
MANUFACTURING, INC.
CINCINNATI, OHIO

ASSEMBLY INSTRUCTIONS

STEP 3-MOUNT BASE AS FOLLOWS: 1. DRILL 4 HOLES IN MOUNTING SURFACE 9/16 DIA. ON A 10 IN. SQUARE BOLT PATTERN 2. ASSEMBLE (1) 1/2 FLAT WASHER AND (1) 1/2 HEX NUT TO EACH MOUNTING BOLT. 3. INSERT THE MOUNTING BOLT INTO THE BASE (A). 4. PLACE THE MOUNTING CHANNELS (E) WITH THE LEGS FACING UP UNDERNEATH THE MOUNTING SURFACE. 5. ASSEMBLE MOUNTING CHANNELS TO MOUNTING BOLTS.

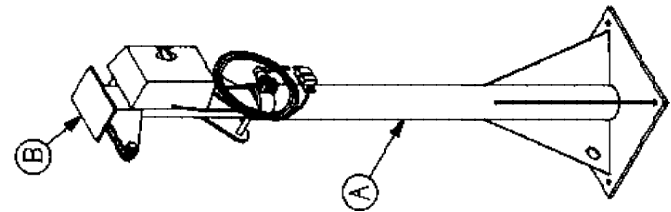


VENTURO MANUFACTURING, INC. CINCINNATI, OHIO	TITLE	ASSEMBLY	SECTION	C200
		CE CRANES	DATE	5-4-98
			SUPERCEDES	10-2-90
				CE-045

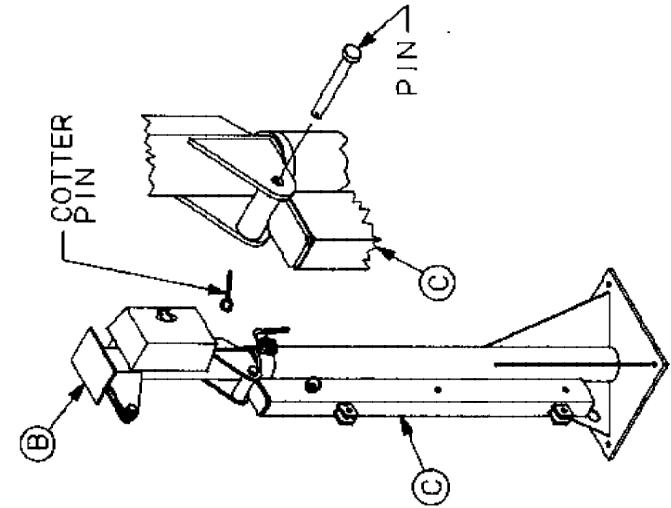
ASSEMBLY INSTRUCTIONS

- STEP 4 - INSERT UPPERBODY (B) INTO BASE (A).
- STEP 5 - PIN PRIMARY ARM (C) TO HINGE ON THE UPPER BODY (B).
- STEP 6 - USE 1 IN. LG. BOLT AND NYLON LOCK NUT TO FASTEN SUPPORT BAR (F) TO THE UPPER BODY (B) HINGE PLATES.
- STEP 7 - RAISE PRIMARY ARM (C) AND SUPPORT BAR (F) THEN PIN THEM TOGETHER.

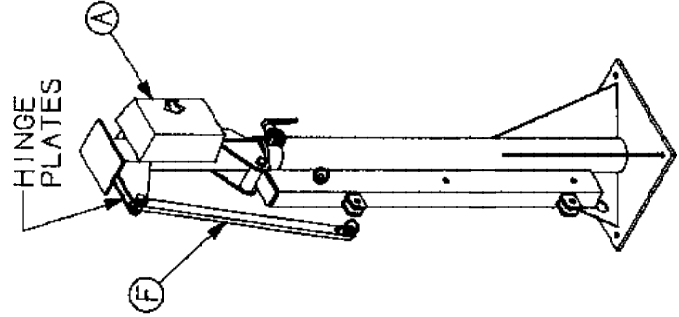
STEP 4



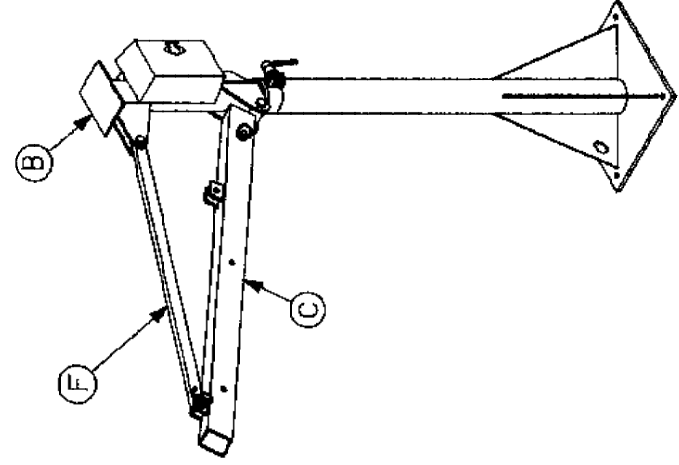
STEP 5



STEP 6



STEP 7



VENTURO
MANUFACTURING, INC.
CINCINNATI, OHIO

TITLE
ASSEMBLY
CE CRANES

DATE
5-4-98A
SUPERCEDES
10-20-90

SECTION
C200
CE-102

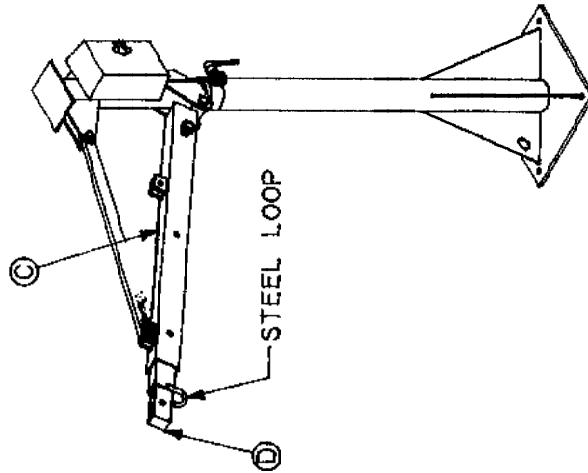
ASSEMBLY INSTRUCTIONS

STEP 8 - INSERT SECONDARY ARM (D) INTO PRIMARY ARM (C) USE 2-1/2 IN. LG. PIN ASSY. SHIPPED IN PRIMARY ARM (C). MAKE SURE STEEL LOOP IS ON THE UNDER SIDE OF THE ARM.

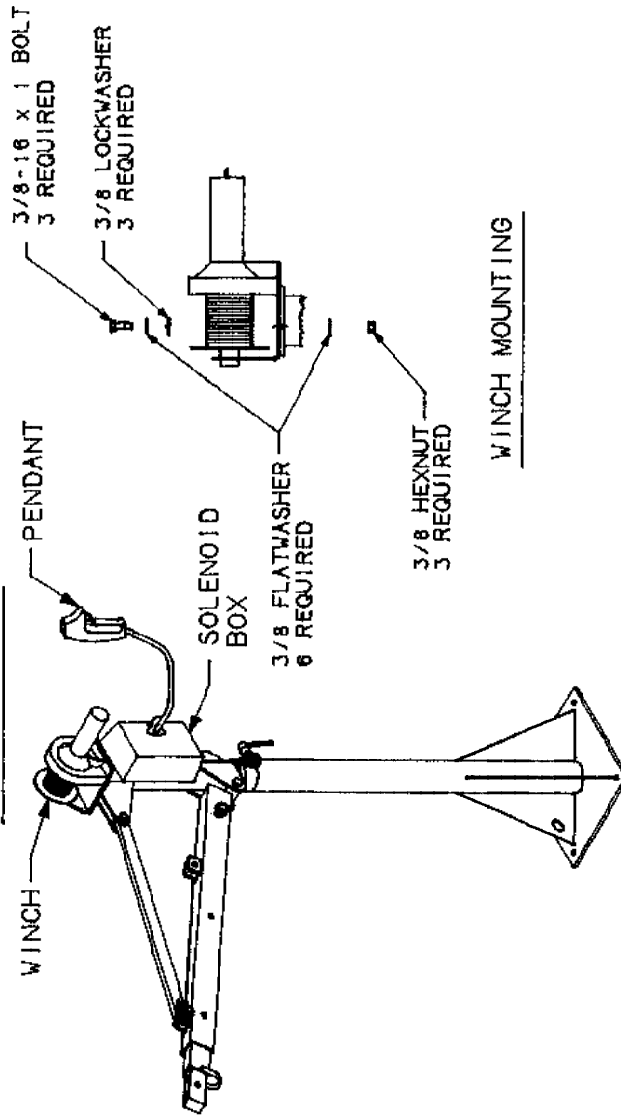
STEP 9 - MOUNT WINCH.

STEP 10 - PLUG PENDANT INTO SOLENIOD BOX.

STEP 8



STEP 9 AND 10



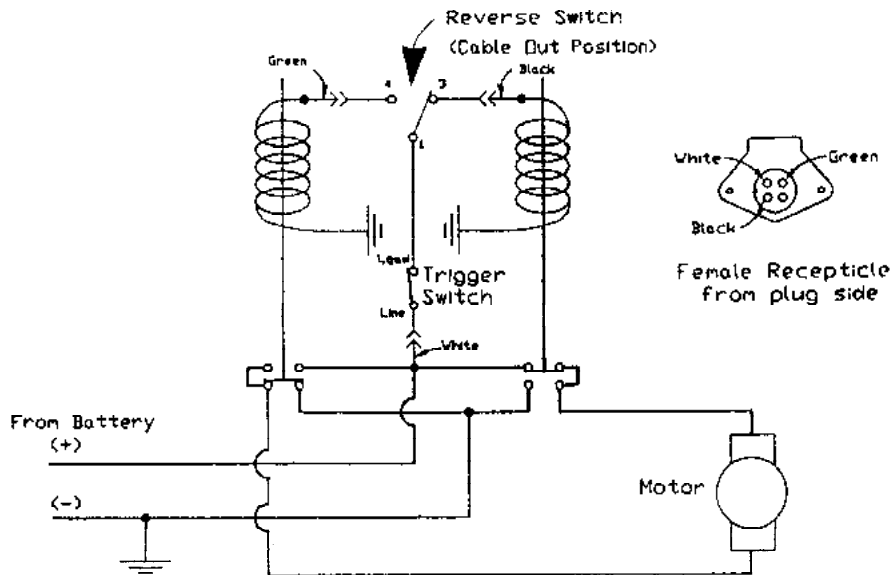
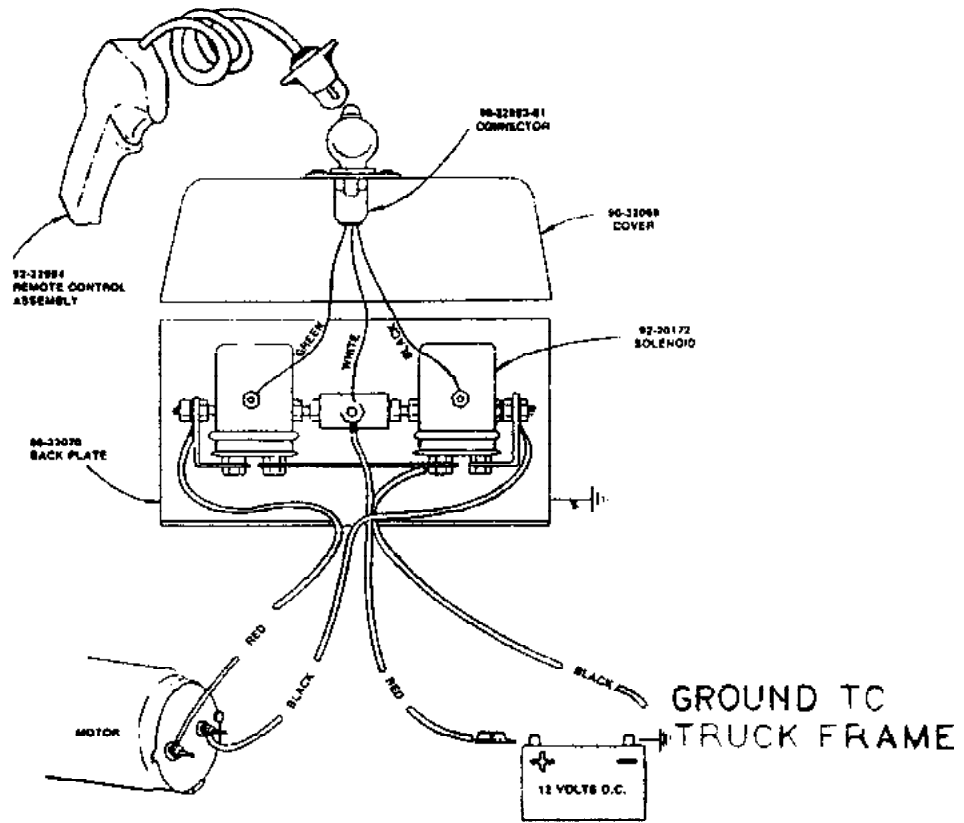
MANUFACTURING, INC.
CINCINNATI, OHIO



TITLE
ASSEMBLY
CE-1500-FB

DATE
5-4-98
SUPERCEDES
6-9-94

SECTION
C200
CE-103



STEP II-WIRE WINCH

USE #8 WIRING ONLY, MINIMUM BATTERY CCA 275



MFG., INC.
CINCINNATI, OHIO

TITLE
WIRING DIAGRAM

CE-1500-FB

DATE
5-4-98A

SUPERCEDES
11-1-89

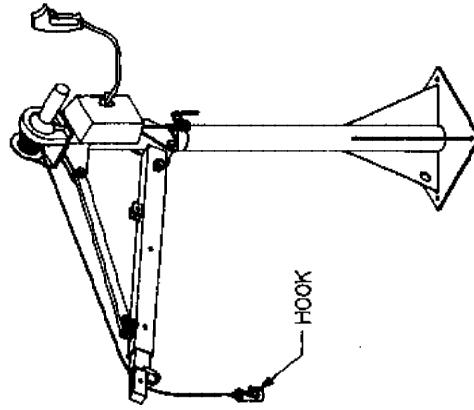
SECTION
C200

CE-022

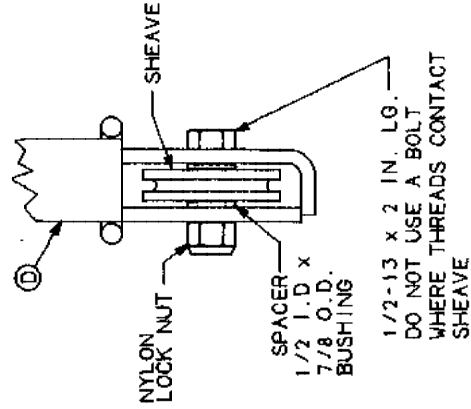
ASSEMBLY INSTRUCTIONS

- STEP 12-RUN OUT WINCH CABLE THEN THREAD HOOK THRU SECONDARY ARM.
- STEP 13-INSTALL SHEAVE: PLACE SHEAVE IN THE MIDDLE OF THE SECONDARY ARM (D) WITH A SPACER ON EACH SIDE. FASTEN WITH 1 1/2-13x2-1/2 BOLT (NOTE THIS BOLT HAS AN EXTENDED SHOULDER SO THREADS DO NOT CONTACT SHEAVE) AND 1 1/2 NYLON LOCK NUT.
- STEP 14-INSTALL PULLEY BLOCK (USED ONLY ON CE-1500 MODELS). REMOVE SHEAVE FROM PULLEY BLOCK. PLACE WINCH CABLE IN SHEAVE. PUT SHEAVE BACK IN PULLEY BLOCK. PLACE HOOK ON STEEL LOOP.
- STEP 15-PLACE EMERGENCY HAND CRANK IN SLEEVES ON CRANE.

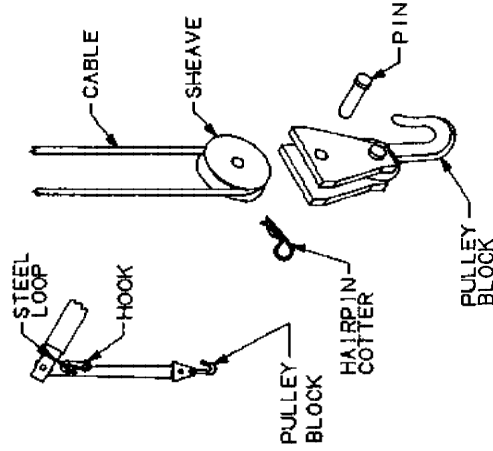
STEP 12



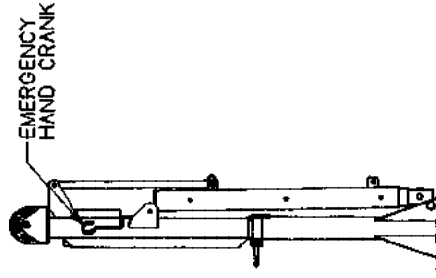
STEP 13



STEP 14



STEP 15



MANUFACTURING, INC.
CINCINNATI, OHIO

TITLE
ASSEMBLY

CE CRANES

SECTION

C200

DATE

5-4-98

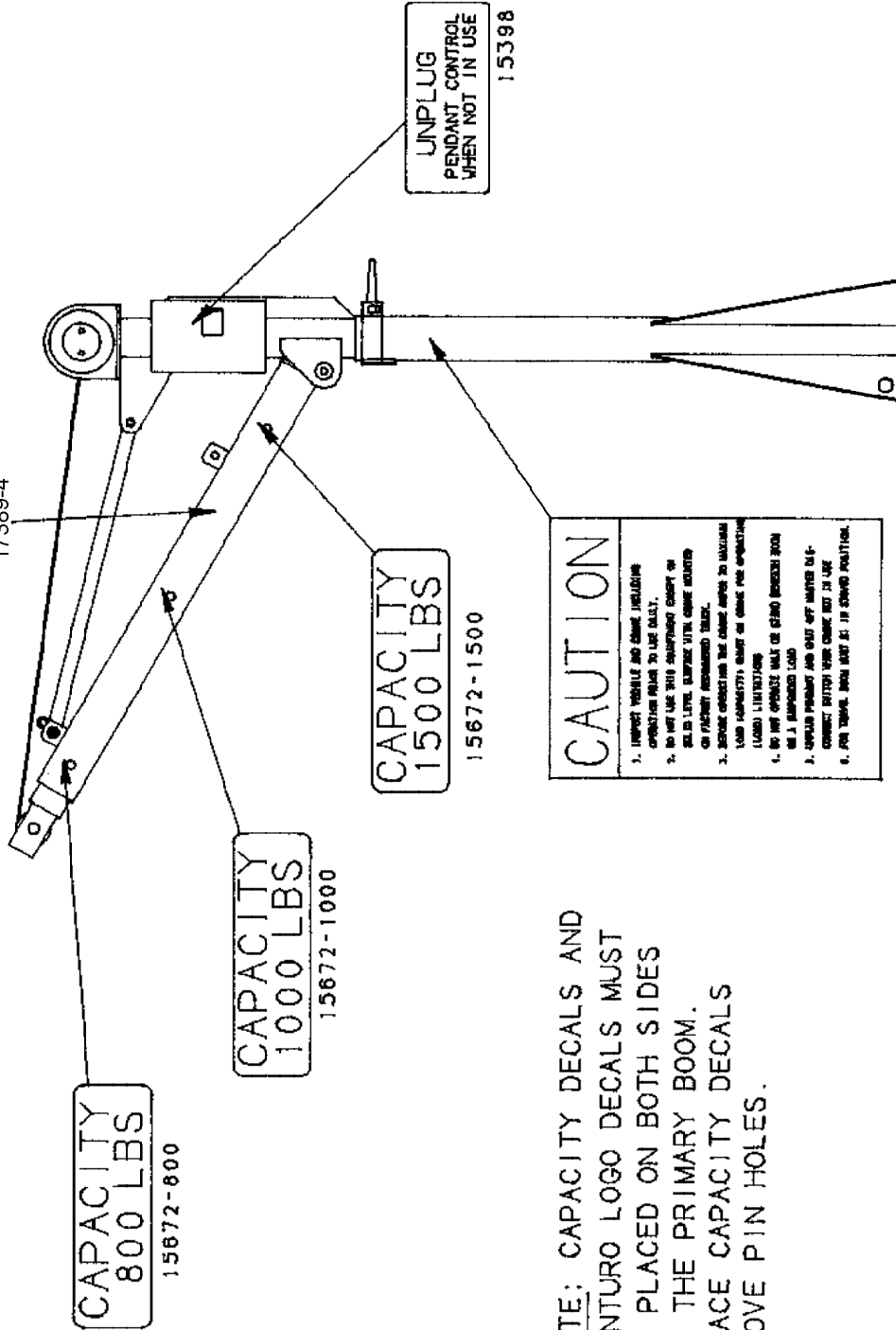
SUPERCEDES

10-5-92

CE-104



17389-4



NOTE: CAPACITY DECALS AND VENTURO LOGO DECALS MUST BE PLACED ON BOTH SIDES OF THE PRIMARY BOOM. PLACE CAPACITY DECALS ABOVE PIN HOLES.

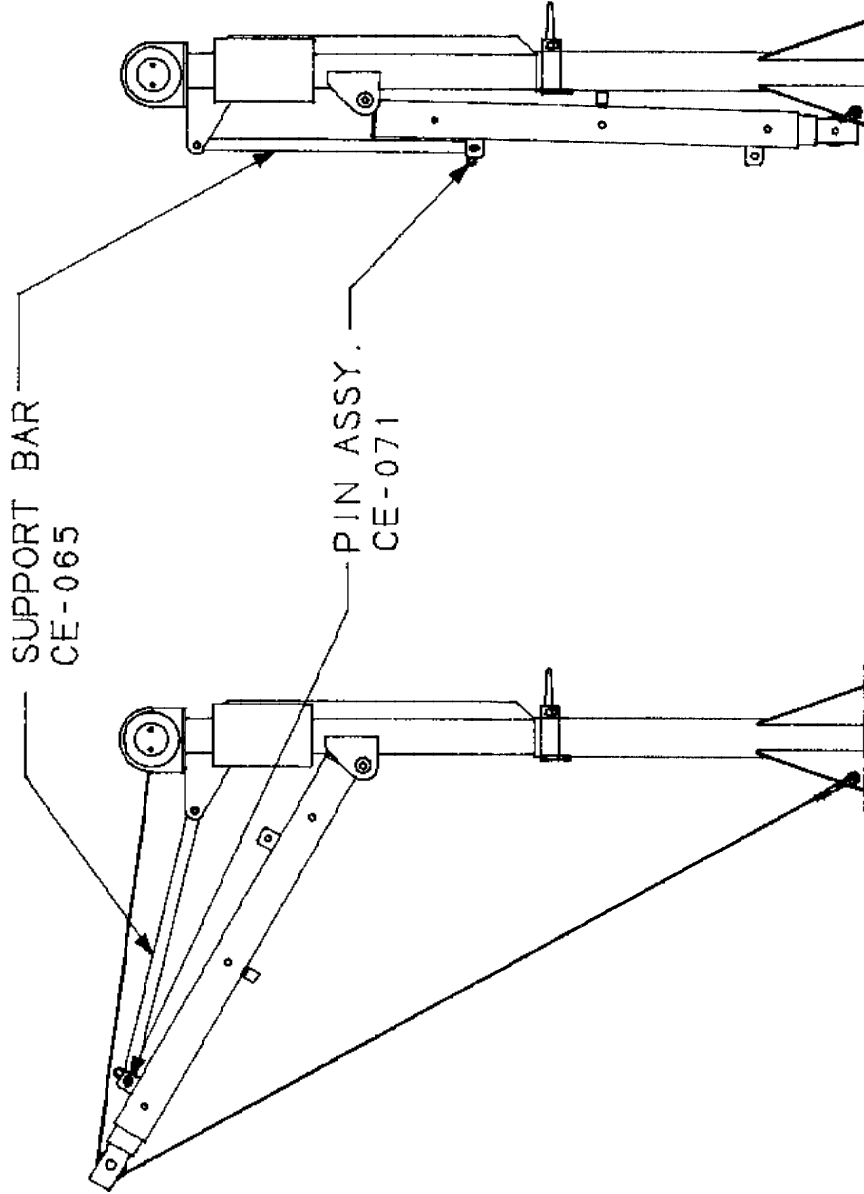
CAUTION

1. IMPROPER VEHICLE AND CRANE INCLUDING OPERATIONS FAILURE TO USE DUALS.
2. DO NOT USE THIS SUSPENDED CRANE ON SLOPED SURFACES WITH CRANE ADJUSTED ON PRESET RECOMMENDED TRACK.
3. SERVICE OPERATING THE CRANE AFTER TO MAXIMUM LOAD CAPACITY. ALWAYS USE CRANE FOR EMPLOYED (LOAD) LIMITATIONS.
4. DO NOT OPERATE WITH CRANE BEHIND BOOM OR A SUSPENDED LOAD.
5. CRANE PENDING AND CRANE OFF HOOKS MUST CONTACT WITHIN THE CRANE HOIST IS USE.
6. FOR TRUCK, ALWAYS USE AT 18 DEGREE POSITION.

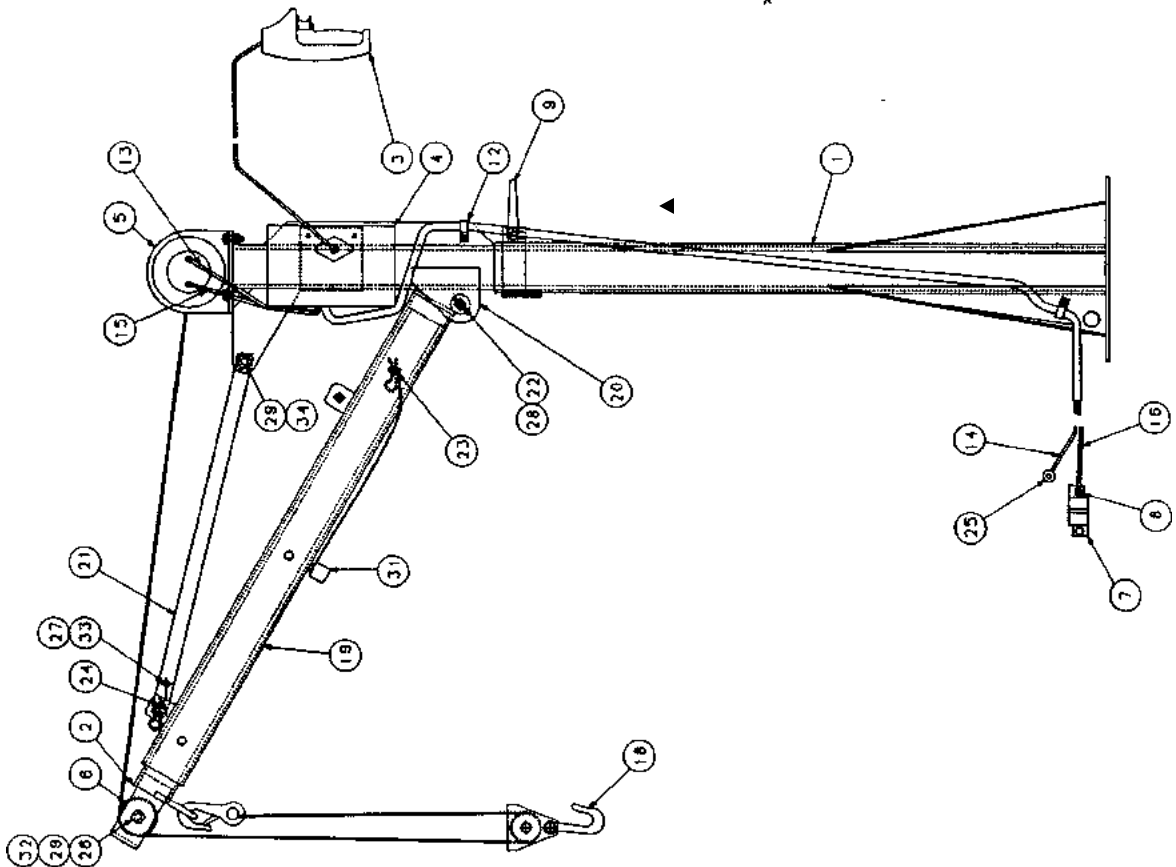
15390

 VENTURO MANUFACTURING, INC. CINCINNATI, OHIO	TITLE	DECAL LOCATIONS	
		CE-1500-FB	CE-038
	DATE	5-14-99A	SECTION C200
	SUPPERCEDES	5-4-98	

TO STORE CE-1500FB REMOVE PIN IN THE SUPPORT BAR,
LOWER BOOM, AND PUT PIN BACK IN THE SUPPORT BAR.




VENTURO MANUFACTURING, INC. CINCINNATI, OHIO	TITLE	STORAGE	DATE	SECTION
	CE-1500-FB	5-4-98	C200	SUPERCEDES 6-9-94
				CE-075



*SEE REPLACEMENT PARTS LIST CE-074

VENTURO MANUFACTURING, INC. CINCINNATI, OHIO	TITLE REPLACEMENT PARTS DWG.		DATE 11-6-01C	SECTION C200
	CE-1500-FB		SUPPERCEDES 5-4-98B	CE-073

CE-1500-FB REPLACEMENT PARTS LIST

ITEM	PARTNUMBER	QTY	DESCRIPTION
1	CE-002-4	1	BASE ASSEMBLY
2	CE-005	1	SECONDARY ARM ASSEMBLY
3	CE-006	1	PENDANT
# 4	CE-008	1	REMOTE KIT
5	CE-009	1	WINCH
6	CE-010	1	SHEAVE
7	CE-012	1	CIRCUIT BREAKER
8	CE-015	1	RING TERMINAL - 8 GA. x #10 DIA.
9	CE-017	1	BRAKE HANDLE
10	CE-023	2	MOUNTING CHANNEL
11	CE-037	4	MOUNTING BOLT
12	PL-20-247	2	CABLE CLAMP
13	CE-046-1	1	GROUND WIRE 18"
14	CE-046-2	1	GROUND WIRE 60"
15	CE-047-1	1	HOT WIRE 18"
16	CE-047-2	1	HOT WIRE 20 FT
▲ -	-	-	-
18	CE-050	1	SNATCH BLOCK
19	CE-058	1	PRIMARY ARM ASSEMBLY
20	CE-059-2	1	UPPER BODY ASSEMBLY
21	CE-065	1	SUPPORT BAR
22	CE-069	1	PIVOT ASSEMBLY PRIMARY ARM
23	CE-070	1	PIN ASSEMBLY PRIMARY ARM
24	CE-071	1	PIN ASSEMBLY SUPPORT BAR
25	CE-078	1	RING TERMINAL - 8 GA. x 5/16" DIA.
26	CE-081	1	HEX HEAD CAP SCREW GR. 8 - 1/2"-13 x 2-1/2"
27	20-00009	1	COTTER PIN - 3/32" x 7/8"
28	20-00006	1	COTTER PIN - 5/32" x 1-1/2"
29	416211	1	NYLON LOCKNUT - 1/2"-13
30	PL-20-259	3	6" LONG WIRE TIE
31	PL-20-364	1	BUMPER
32	12534-4	2	MACHINERY BUSHING - 1/2" I.D.
33	12873	1	CLEVIS PIN - 1/4" DIA. x 1-1/8" LONG
34	6047	1	HEX HEAD CAP SCREW GR. 5 - 1/2"-13 x 1"
35	CE-007	1	SPLIT PLASTIC LOOM - 3/8" I.D.
36	19387 	1	FIELD SERVICE LABEL KIT - CE1500

** NOT USED

INCLUDES ITEM 3

 ITEM NOT SHOWN ON REPLACEMENT PARTS DRAWING



MFG., INC.
CINCINNATI, OHIO

TITLE
REPL. PARTS LIST

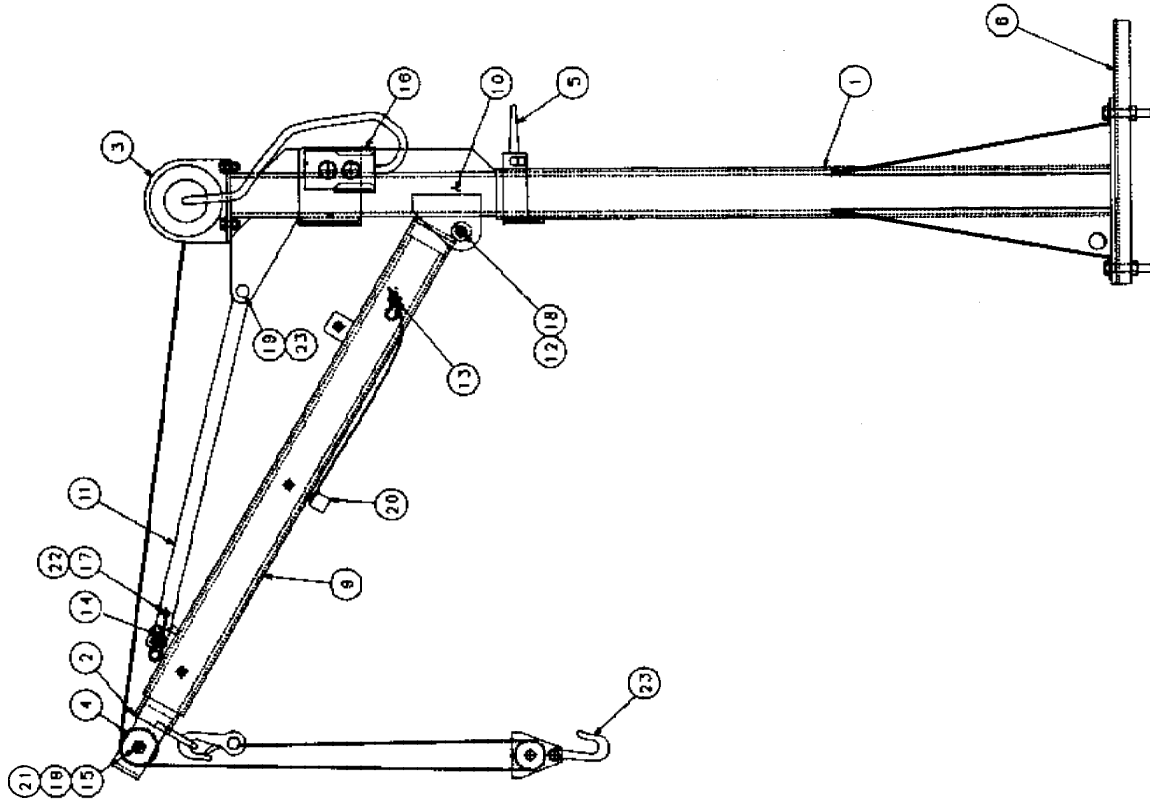
CE-1500-FB

DATE
11-6-01B

SUPERCEDES
5-14-99A

SECTION
C400

CE-074



•SEE REPLACEMENT PARTS LIST CE-097

VENTURO
 MANUFACTURING, INC.
 CINCINNATI, OHIO

TITLE REPLACEMENT PARTS DWG.		SECTION C200
DATE 5-4-98B		SUPPERCEDES 9-15-90A
CE-1500-FB AC		CE-096

**CE-1500-FB AC
REPLACEMENT PARTS LIST**

ITEM	PARTNUMBER	QTY	DESCRIPTION
1	CE-002-4	1	BASE ASSEMBLY
2	CE-005	1	SECONDARY ARM ASSEMBLY
3	CE-093	1	WINCH
4	CE-010	1	SHEAVE
5	CE-017	1	BRAKE HANDLE
6	CE-023	2	MOUNTING CHANNEL
7	CE-037	4	MOUNTING BOLT
8	CE-050	1	SNATCH BLOCK
9	CE-058	1	PRIMARY ARM ASSEMBLY
10	CE-059-2	1	UPPER BODY ASSEMBLY
11	CE-065	1	SUPPORT BAR
12	CE-069	1	PIVOT ASSEMBLY PRIMARY ARM
13	CE-070	1	PIN ASSEMBLY PRIMARY ARM
14	CE-071	1	PIN ASSEMBLY SUPPORT BAR
15	CE-081	1	HEX HEAD CAP SCREW - 1/2"-13 x 2-1/2" GR.8
16	CE-087	1	PENDANT BRACKET
17	20-00009	1	COTTER PIN - 3/32" x 7/8"
18	20-00006	1	COTTER PIN - 5/32" x 1-1/2"
19	416211	2	NYLON LOCKNUT - 1/2"-13
20	PL-20-364	1	BUMPER
21	12534-4	2	MACHINERY BUSHING - 1/2" I.D.
22	12873	1	CLEVIS PIN - 1/4" DIA. x 1-1/8" LG.
23	6047	1	HEX HEAD CAP SCREW - 1/2"-13 x 1" GR. 5
24	-	-	-
25	-	-	-
26	-	-	-
27	-	-	-
28	-	-	-
29	-	-	-
30	-	-	-
31	-	-	-
32	-	-	-
33	-	-	-
34	-	-	-
35	-	-	-



MFG., INC.
CINCINNATI, OHIO

TITLE
REPL. PARTS LIST

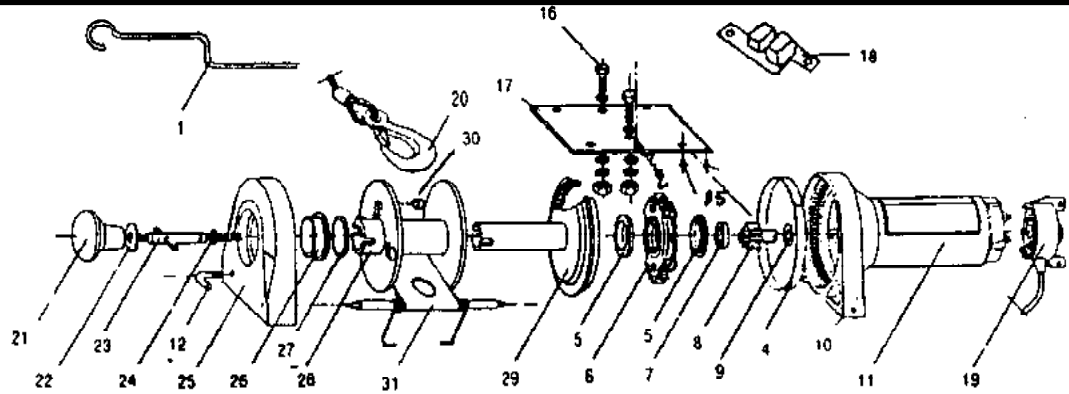
CE-1500-FB AC

DATE
5-6-98

SUPERCEDES
6-7-90

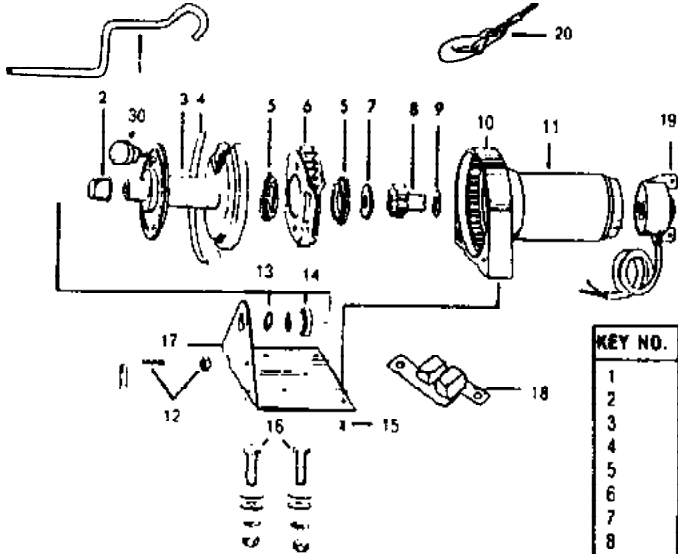
SECTION
C400

CE-097



Model No's X1 and M1

MODEL NO. X1F AND M1F



KEY NO.	PART NO.	DESCRIPTION
1	90-32031	Handsaver/Manual Handle
2	90-23136	Round Flanged Nylon Bushing
3	90-32038	Drum Assembly
4	90-23137	Perimeter Bearing
5	90-23140	Carrier Bearing
6	90-23138-01	Planetary Gear Assembly
7	90-12418	Nylon Step Washer
8	90-22865	10-Tooth Sun Gear
9	90-23120-08	Flat Thrust Washer
10	90-12454	Main Gearbox
11	90-12452	1.3 H.P. 12 Volt Motor with Gearbox and Needle Bearing, Primed
	90-12175	1.3 H.P. 24 Volt Motor with Gearbox and Needle Bearing, Primed
12	90-12451	Lock bolt assembly (M1)
	90-12519	Lock bolt (M1F)
13	90-23120-05	Shim Washer
14	90-12407-01	Main Bearing Housing
15	90-23056-02	5/16" Socket Head Cap Screw
16	90-22892	Pair of 3/8" Bolts & Nuts, 4 Flat & 2 Locking Washers for mounting
17	90-41019	Base Plate, Primed (X1 and M1)
	90-32067-01	Base Plate, Primed (X1F and M1F)
18	90-22873	Assembly of two circuit breakers on bracket (12V)
	90-22873-01	Assembly of one circuit breaker on bracket (24V)
19	1519	Repair Switch Assembly with two 3 foot leads. Includes two butt splices for connecting to old harness
20	1511	3/16 x 25 cable and hook assembly
21	90-12494	Knob, Freespooling Shaft
22	90-23120-12	Washer
23	90-12535	Shaft, freespooling Assembly
24	90-12492	Spring, freespooling Control
25	90-32058	Outboard housing
26	90-23167-01	Flange bushing
27	90-23120-11	Washer
28	90-32054	Drum assembly, (X1F)
	90-32054-01	Drum assembly, (M1F)
29	90-32057-1	Rotating drive shaft assembly
30	90-12419	Cable Retainer (X1 and M1)
	90-23164-04	Set Screw 7/16-20 x 3/8 long (X1F and X2F)
31	90-12536	Cable Tension Plate Set, Models X1F and M1F Only



MFG., INC.
CINCINNATI, OHIO

TITLE	DATE	SECTION
WINCH REPL. PARTS	5-4-98A	C400
CE-1500-FB	SUPERCEDES	
	11-1-89	CE-055



LIMITED WARRANTY POLICY

This limited policy warrants new products of Venturo be free from defects in material and workmanship for a period of one (1) year from date of original installation. This warranty covers:

- ◆ ***Repair or replacement of product***
- ◆ ***Labor to repair or replace product***
- ◆ ***Freight to return and/or replace product***

We shall not be liable for any contingent liabilities arising out of the improper function of any products. Warranty shall become void if the product is improperly installed, modified, damaged, abused or used for application other than intended use.

WARRANTY CLAIMS

Venturo Manufacturing, Inc. will make a good faith effort for prompt correction or other adjustment with respect to any product, which proves to be defective after our inspection and within the warranty period. Before any repairs are attempted or before returning any product, your Venturo Distributor is required to obtain a warranty claim number. This number is necessary for any claim to be considered. To obtain a warranty claim number, Venturo requires the model and serial number. Only authorized Venturo Distributors can perform warranty. For the name and address of your local Venturo Distributor call the **Warranty Claim Department – 513-772-8448**.

WARNING – It is the responsibility of the installer to insure the installation is completed according to the manufacturer's recommendations, insure the ultimate user understands how to operate product in a safe manner and understands the need for regular service and maintenance by an authorized Venturo Distributor. No modifications or alterations may be made to any Venturo products without the expressed written consent of the manufacturer. Reinstallation of any Venturo product must be done by an authorized Venturo Distributor, to the standards of the industry including maintenance, service and affixing of all instruction, safety and warning decals. Users should again be instructed as to the safe operation at time of delivery. Maintenance, service, operation and safety warning decals are available on request from Venturo Manufacturing, Inc.

VENTURO MANUFACTURING, INC

DIVISION OF COLLINS ASSOCIATES, INC
12110 BEST PLACE • CINCINNATI, OHIO 45241
513.772.8448
www.venturo.com