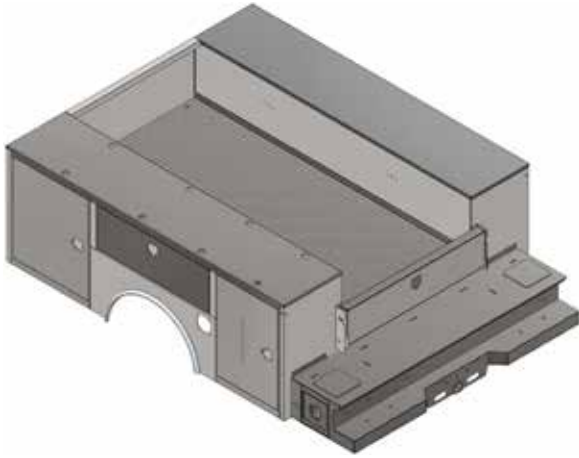




VP16-110-FLT



Crane Capacity	2,000 - 4,000 lbs
Cab-Axle	60" CA
Ft-lbs Rating	6,000 - 16,000 ft.lbs.
Bed Length	9 ft. (110")
Tire Size	19.5" (DRW)
Crosstube	24962-CD
Min. GVWR	Class 2 - 8800 lbs
Body Weight	2,900 lbs.
Model Number	Pro 2

Specifications

Compartment Height	40"
Compartment Depth	23"
Cargo Space Width	51.50"
SS/CS-1 Dimensions	31"W x 40"T
SS/CS-2 Dimensions	45"W x 20"T
SS/CS-3 Dimensions	25"W x 40"T
Main Body Material	14-ga Galvanneal
Compartment Bottoms	10-ga Galvanneal
Compartment Tops	12-ga HR treadplate
Inner Door Panels	0.063 Aluminum
Outer Door Panels	0.063 Aluminum
Wheel Panels	14-ga Galvanneal
Front Bulkhead	14-ga Galvanneal
Adjustable Shelving	14-ga Galvanneal
Bed Wall Liners	12-ga HR treadplate

Body Floor and Understructure

- 12-ga treadplate floor
- 10" high x 10 ga Grade 50 channel frame
- 12-ga Grade 50 underbelly plate

Powder Coat Finish

White

Standard Accessories

- 3-point whaletail compression door latches
- Gas cylinder type door holders
- Rubber rolled crown fenderettes installed
- Master Door Locking System
- Adhesive LED strip lights in all (10) compartments
 - Top and Sides
 - Top of Horizontal Compartment
- Strap Hinges
- 6,000 lb. Tie-Downs

Standard Equipment

- Workbench Bumper w/ Vise Plate
- 24962-CD Crosstube
- (4) LED Exterior Worklights
- White Powder Coat
- Bedliner (Cargo area, Compartment Tops, Walls, Bumper, Interior Tailgate)

Applicable Crane Models

Venturo ET6K	2,000 lbs
Venturo ET8KX(P)	3,200 lbs
Venturo ET12KX-15	3,500 lbs
Venturo ET12KXP-16	3,500 lbs
Venturo ET16KX(P)-16	4,000 lbs
Venturo ET16KX(P)-20	4,000 lbs



Venco Venturo Industries LLC
 12110 Best Place | Cincinnati, Ohio 45241
 800-226-2238 | 513-772-8448 Local
info@venturo.com | www.venturo.com



VP16-110-FLT

