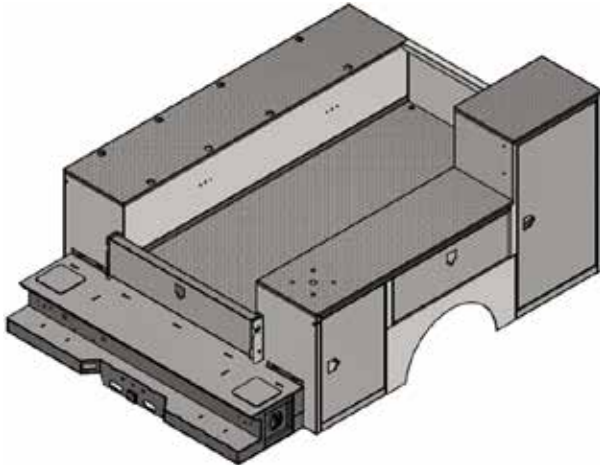




# VP16-110-TFC



<b>Crane Capacity</b>	2,000 - 4,000 lbs
<b>Cab-Axle</b>	60" CA
<b>Ft-lbs Rating</b>	6,000 - 16,000 ft.lbs.
<b>Bed Length</b>	9 ft. (110")
<b>Tire Size</b>	19.5" (DRW)
<b>Crosstube</b>	24962-CD
<b>Min. GVWR</b>	Class 2 - 8800 lbs
<b>Body Weight</b>	3,000 lbs.
<b>Model Number</b>	Pro 3

## Specifications

<b>Compartment Height</b>	40" / 60"
<b>Compartment Depth</b>	23"
<b>Cargo Space Width</b>	51.50"
<b>SS-1 Dimensions</b>	31"W x 40"T
<b>CS-1 Dimensions</b>	31"W x 60"T
<b>SS/CS-2 Dimensions</b>	45"W x 20"T
<b>SS/CS-3 Dimensions</b>	25"W x 40"T
<b>Main Body Material</b>	14-ga Galvanneal
<b>Compartment Bottoms</b>	10-ga Galvanneal
<b>Compartment Tops</b>	12-ga HR treadplate
<b>Inner Door Panels</b>	0.063 Aluminum
<b>Outer Door Panels</b>	0.063 Aluminum
<b>Wheel Panels</b>	14-ga Galvanneal
<b>Front Bulkhead</b>	14-ga Galvanneal
<b>Adjustable Shelving</b>	14-ga Galvanneal
<b>Bed Wall Liners</b>	12-ga HR treadplate

## Body Floor and Understructure

- 12-ga treadplate floor
- 10" high x 10 ga Grade 50 channel frame
- 12-ga Grade 50 underbelly plate

## Powder Coat Finish

White

## Standard Accessories

- 3-point whaletail compression door latches
- Gas cylinder type door holders
- Rubber rolled crown fenderettes installed
- Master Door Locking System
- Adhesive LED strip lights in all (10) compartments
  - Top and Sides
  - Top of Horizontal Compartment
- Strap Hinges
- 6,000 lb. Tie-Downs

## Standard Equipment

- Workbench Bumper w/ Vise Plate
- 24962-CD Crosstube
- (4) LED Exterior Worklights
- White Powder Coat
- Bedliner (Cargo area, Compartment Tops, Walls, Bumper, Interior Tailgate)

## Applicable Crane Models

Venturo ET6K	2,000 lbs
Venturo ET8KX(P)	3,200 lbs
Venturo ET12KX-15	3,500 lbs
Venturo ET12KXP-16	3,500 lbs
Venturo ET16KX(P)-16	4,000 lbs
Venturo ET16KX(P)-20	4,000 lbs



Venco Venturo Industries LLC  
 12110 Best Place | Cincinnati, Ohio 45241  
 800-226-2238 | 513-772-8448 Local  
[info@venturo.com](mailto:info@venturo.com) | [www.venturo.com](http://www.venturo.com)



# VP16-110-TFC

