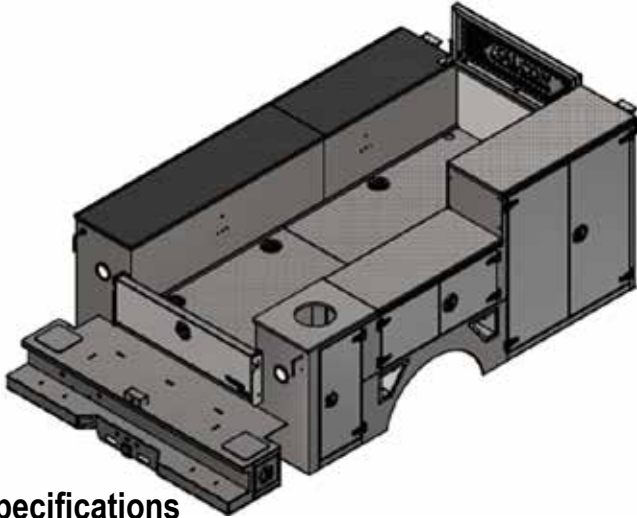




VP45-132-DTF



Crane Capacity	Up to 8,000 lbs
Cab-Axle	84" CA
Ft-lbs Rating	50,000 ft.lbs.
Bed Length	11 ft. (132")
Tire Size	19.5" (DRW)
Crosstube	25100
Min. GVWR	Class 4 - 11,000 lbs
Body Weight	4,200 lbs.
Model Number	Pro 8

Specifications

Compartment Height	44" / 60"
Compartment Depth	22"
Cargo Space Width	50"
SS-1 Dimensions	31"W x 60"T
CS-1 Dimensions	31"W x 60"T
SS/CS-2 Dimensions	26"W x 44"T
SS/CS-3 Dimensions	35"W x 44"T
SS/CS-4 Dimensions	25"W x 44"T
Main Body Material	14-ga Galvanneal
Compartment Bottoms	10-ga Galvanneal
Compartment Tops	12-ga HR treadplate
Inner Door Panels	0.063 Aluminum
Outer Door Panels	0.063 Aluminum
Wheel Panels	14-ga Galvanneal
Front Bulkhead	14-ga Galvanneal
Adjustable Shelving	14-ga Galvanneal
Bed Wall Liners	12-ga HR treadplate

Body Floor and Understructure

- 12-ga treadplate floor
- 10" high x 10 ga Grade 50 channel frame
- 12-ga Grade 50 underbelly plate

Powder Coat Finish

White

Standard Accessories

- 3-point whaletail compression door latches
- Gas cylinder type door holders
- Rubber rolled crown fenderettes installed
- Master Door Locking System
- Adhesive LED strip lights in all (10) compartments
 - Top and Sides
 - Top of Horizontal Compartment
- Strap Hinges
- 6,000 lb. Tie-Downs

Standard Equipment

- Workbench Bumper w/ Vise Plate
- 25100 Crosstube
- (4) LED Exterior Worklights
- White Powder Coat
- Bedliner (Cargo area, Compartment Tops, Walls, Bumper, Interior Tailgate)

Applicable Crane Models

- Up to Venturo HT50KX-25 8,000 lbs



Venco Venturo Industries LLC
 12110 Best Place | Cincinnati, Ohio 45241
 800-226-2238 | 513-772-8448 Local
info@venturo.com | www.venturo.com



VP45-132-DTF

