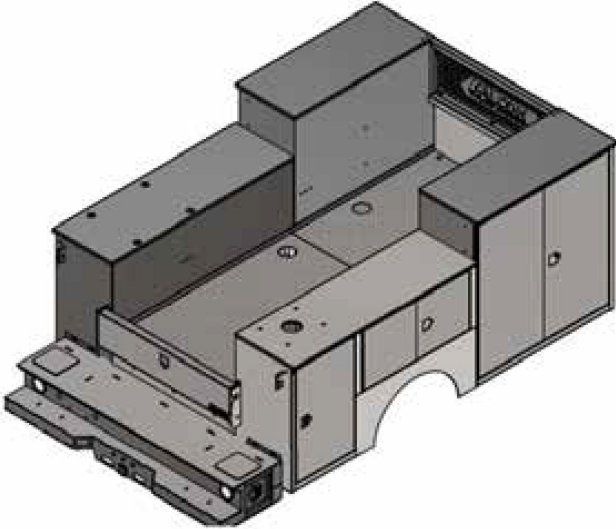




CRANE BODY

VP66-132-DTF

Crane Capacity	8,000 - 12,000 lbs
Cab-Axle	84" CA
Ft-lbs Rating	66,000 ft.lbs.
Bed Length	11 ft. (132")
Tire Size	22.5" (DRW)
Crosstube	25100 / 27695
Min. GVWR	Class 5 - 19,500 lbs
Body Weight	4,625 lbs.
Model Number	Pro 11



SPECIFICATIONS

Compartment Height	44" / 60"
Compartment Depth	22"
Cargo Space Width	50"
SS-1 Dimensions	31"W x 60"T
CS-1 Dimensions	31"W x 60"T
SS/CS-2 Dimensions	26"W x 44"T
SS/CS-3 Dimensions	35"W x 44"T
SS/CS-4 Dimensions	25"W x 44"T
Main Body Material	14-ga Galvanneal
Compartment Bottoms	10-ga Galvanneal
Compartment Tops	12-ga HR treadplate
Inner Door Panels	0.063 Aluminum
Outer Door Panels	0.063 Aluminum
Wheel Panels	14-ga Galvanneal
Front Bulkhead	14-ga Galvanneal
Adjustable Shelving	14-ga Galvanneal
Bed Wall Liners	12-ga HR treadplate

Body Floor and Understructure	12-ga treadplate floor 10" high x 10 ga Grade 50 channel frame 12-ga Grade 50 underbelly plate
Powder Coat Finish	White
Standard Accessories	3-point whaletail compression door latches Gas cylinder type door holders Rubber rolled crown fenderettes installed Master Door Locking System Adhesive LED strip lights in all (10) compartments Top and Sides Top of Horizontal Compartment Strap Hinges 6,000 lb. Tie-Downs

STANDARD EQUIPMENT

- Workbench Bumper w/ Vise Plate
- 25100 Crosstube
- (4) LED Exterior Worklights
- White Powder Coat
- Bedliner (Cargo area, Compartment Tops, Walls, Bumper, Interior Tailgate)

APPLICABLE CRANE MODELS

Up to Venturo HT66KX-25 12,000 lbs

CRANE BODY VP66-132-DTF

