



**VENTURO**  
TRUCK MOUNTED CRANES

**ET6KM/R**

*INSTALLATION & OWNER'S MANUAL*



# TABLE OF CONTENTS

## ET6KM/R INSTRUCTION MANUAL

<b><u>SECTION 100</u></b>	<b><u>DESCRIPTION &amp; SPECIFICATIONS</u></b>
20748	INSTALLATION DIMENSIONS - ET6KM
17384	13424 BASE MOUNTING DIMENSIONS - ET6KM
20749	INSTALLATION DIMENSIONS - ET6KR
I17390	17299 BASE MOUNTING DIMENSIONS - ET6KR
I19113	CAPACITY CHART - ET6KM/R 6-10-14 FT
I13497	TYPICAL REINFORCEMENT FOR MOUNTING CRANE ON TOP OF SERVICE BODY
16938	INSTALLATION DRAWING - ET6KR/ET10K(X)
S14930	INSTALLATION DRAWING - 14930 MOUNTING PEDESTAL - ET6KM
I14930	INSTALLATION DRAWING - 14930 MOUNTING PEDESTAL - ET6KM
S17340	INSTALLATION DRAWING - 17340 MOUNTING PEDESTAL - ET6KR
I17340	INSTALLATION DRAWING - 17340 MOUNTING PEDESTAL - ET6KR
22686	INSTALLATION DRAWING - 18500-CD MANUAL OUTRIGGER
13510	INSTALLATION DIMENSIONS - 11822 MANUAL OUTRIGGER FOLD AWAY TYPE
13509	INSTALLATION DIMENSIONS - 13500 MANUAL OUTRIGGER SIDE BRACKET

<b><u>SECTION 150</u></b>	<b><u>SAFETY</u></b>
850711	SAFETY & HAZARDS - GENERAL
15394	VEHICLE & CRANE ELECTRICAL HAZARD INFORMATION
19567	DECAL PLACEMENT - ET6KM
19566	DECAL PLACEMENT - ET6KR
21353	SAFETY DECALS (PAGE 1 OF 2)
▲ 21384	SAFETY DECALS (PAGE 2 OF 2)
21354	ET CRANE DECALS
21362	MISCELLANEOUS DECALS - ET6KR - ET10KX
21365	MODEL & CAPACITY DECALS - ET6KM
21364	MODEL & CAPACITY DECALS - ET6KR

<b><u>SECTION 200</u></b>	<b><u>INSTALLATION</u></b>
20773	ET6KM INSTALLATION INSTRUCTIONS
I19116	ET6KM OPERATION & MAINTENANCE INSTRUCTIONS
20772	ET6KR INSTALLATION INSTRUCTIONS
I19118	ET6KR OPERATION & MAINTENANCE INSTRUCTIONS
711105	CABLE & BATTERY REQUIREMENTS - ET AND HT CRANES
15660	BATTERY CABLE INSTALLATION DRAWING
711006	WIRE ROPE SPECIFICATIONS
20076	ADJUSTABLE BOOM REST

<b><u>SECTION 300</u></b>	<b><u>MAINTENANCE &amp; SERVICE</u></b>
800306	MINIMUM VOLTAGE TEST

<b><u>SECTION 400</u></b>	<b><u>REPLACEMENT PARTS</u></b>
I19109	ET6KM REPLACEMENT PARTS DRAWING
21002	ET6KM REPLACEMENT PARTS LIST
19443	ET6KR REPLACEMENT PARTS DRAWING
21003	ET6KR REPLACEMENT PARTS LIST
20197-4	REPLACEMENT PARTS - ANTI-TWO-BLOCK
18658	ELECTRICAL SYSTEM SCHEMATIC - ET6KM
I18668	ELECTRICAL SYSTEM SCHEMATIC - ET6KR
19768	ELECTRICAL SYSTEM SCHEMATIC - ET6KM/R W/ ANTI-TWO-BLOCK
18667	HYDRAULIC SYSTEM SCHEMATIC - ET6KM/R

# TABLE OF CONTENTS

## ET6KM/R INSTRUCTION MANUAL

### SECTION 400

### REPLACEMENT PARTS

20141	REPLACEMENT PARTS - 2 FUNCTION PENDANT CONTROL
19791	REPLACEMENT PARTS - 3 FUNCTION CRANES
16770	16770 SWIVEL TERMINAL ASSEMBLY REPLACEMENT PARTS
116100	16100 SERIES POWER UNIT REPLACEMENT PARTS DRAWING
811016	16100 SERIES POWER UNIT REPLACEMENT PARTS LIST
19518	17252/17253 HYDRAULIC POWER UNIT REPLACEMENT PARTS DRAWING
900309	17252/17253 HYDRAULIC POWER UNIT REPLACEMENT PARTS LIST
21055	18671-2 ELEVATION CYLINDER REPLACEMENT PARTS
▲ 20847	FIELD SERVICE LABEL KIT - ET6KM-6/14
▲ 20848	FIELD SERVICE LABEL KIT - ET6KR-6/14
22689	REPLACEMENT PARTS - 18500-CD MANUAL OUTRIGGER



MFG., INC.  
CINCINNATI, OHIO

TITLE  
**TABLE OF CONTENTS**

**ET6KM/R**

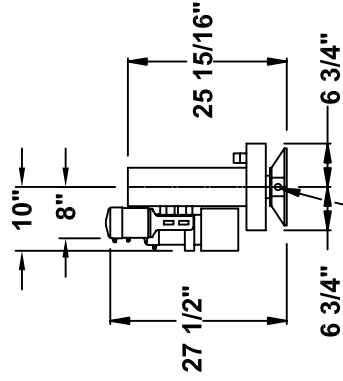
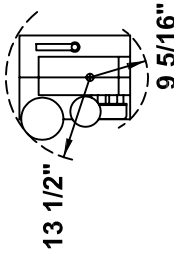
DATE  
**6-30-06E**

SUPERCEDES  
**1-27-05D**

SECTION  
**PAGE 2 OF 2**

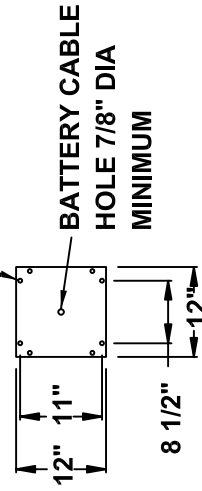
**21007B**

**WARNING: THESE PRODUCTS ARE NOT PASSENGER LIFTS. THEY ARE NOT DESIGNED OR INTENDED TO BE USED TO LIFT, SUPPORT, OR OTHERWISE TRANSPORT PERSONNEL.**

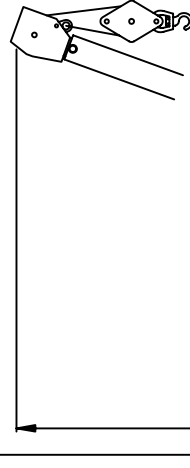
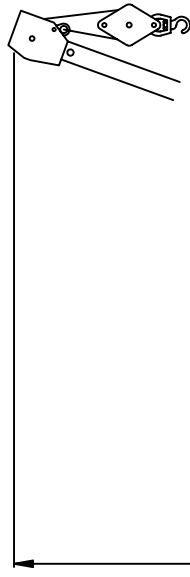


**OPTIONAL BATTERY CABLE HOLE**

**1/2" BOLT HOLE  
8 PLC**



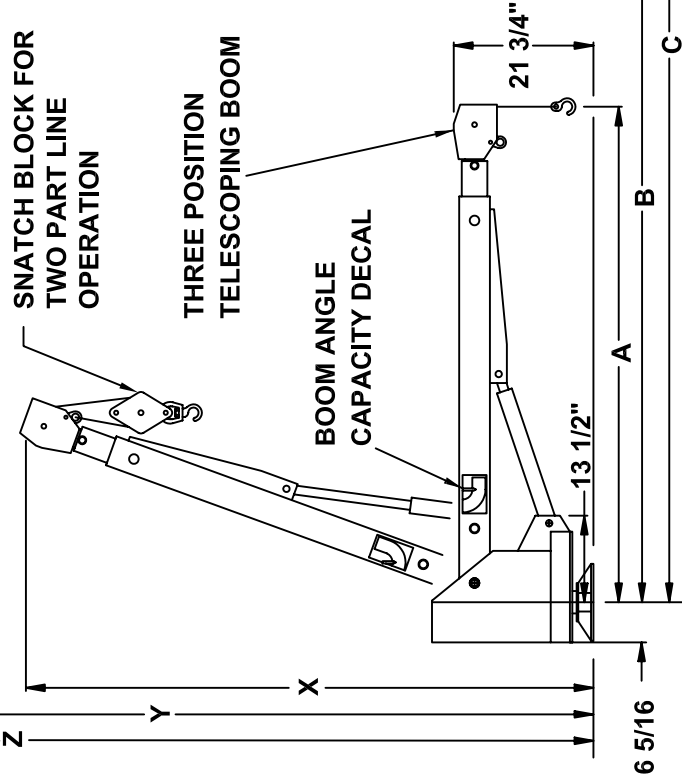
**BASE MOUNTING DIMENSIONS**



**SNATCH BLOCK FOR TWO PART LINE OPERATION**

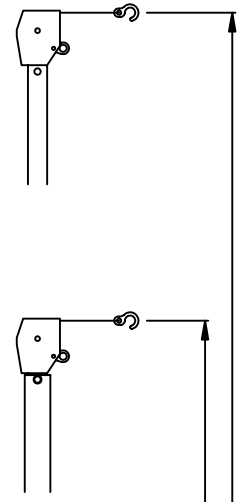
**THREE POSITION TELESCOPING BOOM**

**BOOM ANGLE CAPACITY DECAL**



PERFORMANCE CHARACTERISTICS		
LOAD (LBS)	PART LINE	LIFTING SPEED (FT/MIN)
0	1	25
500	1	20
1000	1	15
1200	1	13
1200	2	10
1500	2	9
2000	2	8

DIMENSION	BOOM LENGTH
A	6-10-14 FT
B	77"
C	125"
X	173"
Y	89"
Z	134"
ROPE LENGTH	65 FT
WEIGHT	425 LBS



**TITLE  
INSTALLATION DRAWING**

**ET6KM CRANE**

**DATE  
1-11-05**

**SUPERSEDES  
-**

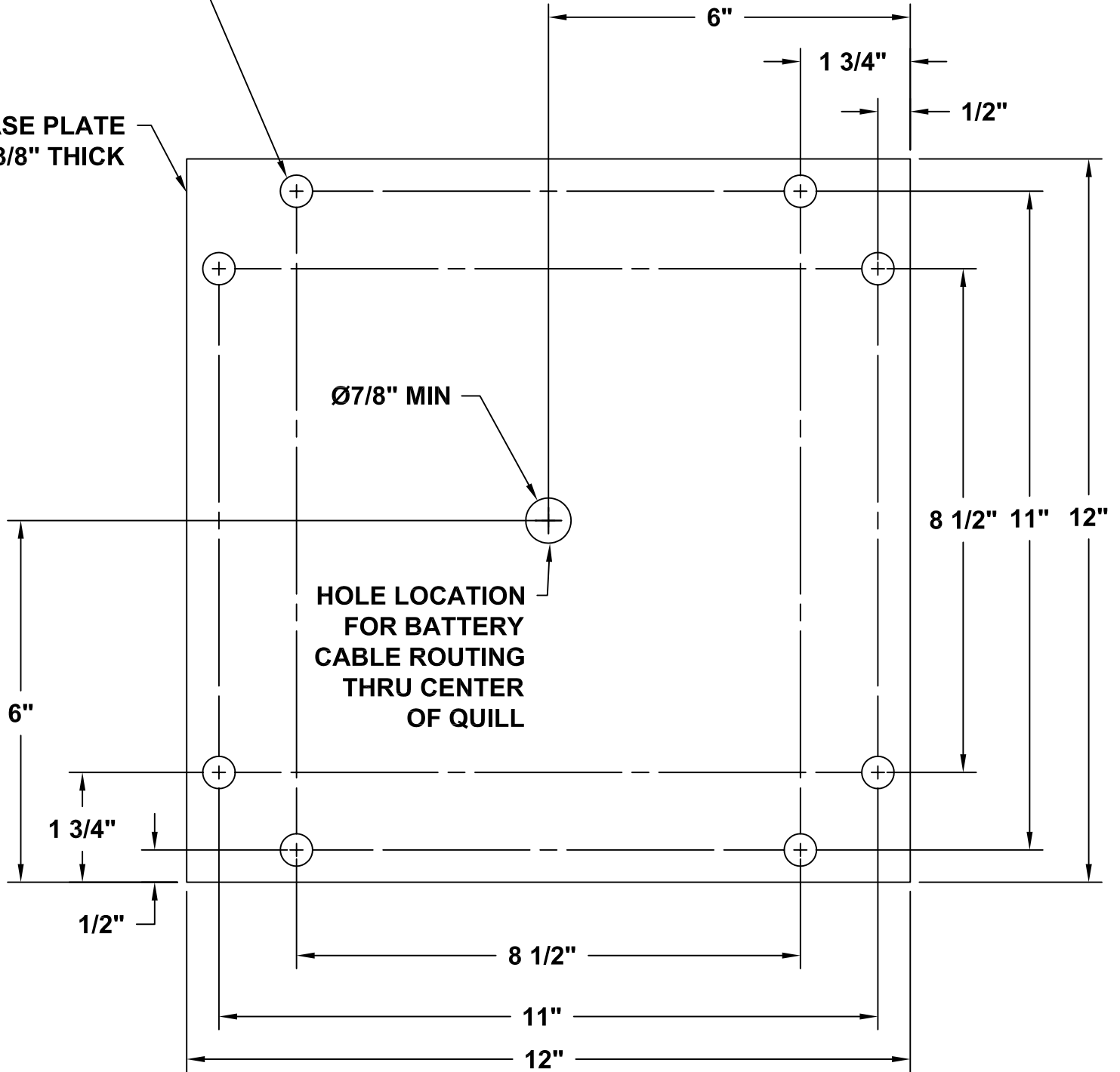
**SECTION  
C100**

**20748**

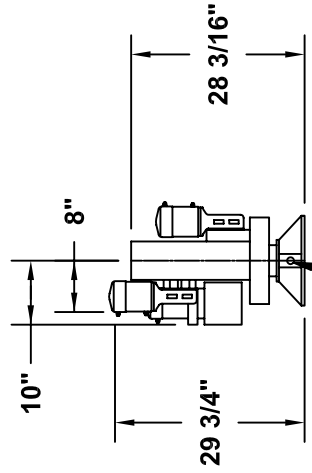
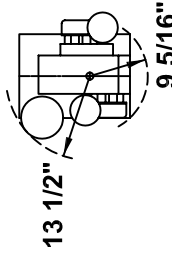
# MOUNTING HOLE TEMPLATE

CENTERS SHOWN FOR 8  
1/2" DIA MOUNTING BOLTS  
(NOT FURNISHED)

BASE PLATE  
3/8" THICK



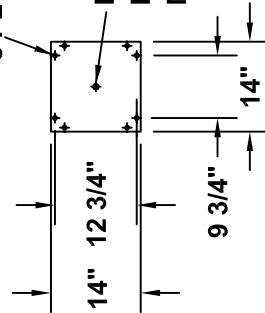
**WARNING: THESE PRODUCTS ARE NOT PASSENGER LIFTS. THEY ARE NOT DESIGNED OR INTENDED TO BE USED TO LIFT, SUPPORT, OR OTHERWISE TRANSPORT PERSONNEL.**



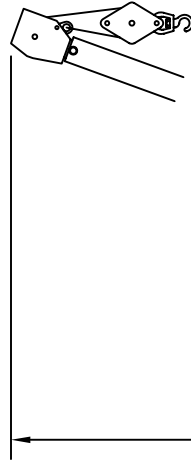
**OPTIONAL BATTERY CABLE HOLE**

**5/8" BOLT HOLE  
8 PLC**

**BATTERY CABLE HOLE 7/8" DIA MINIMUM**



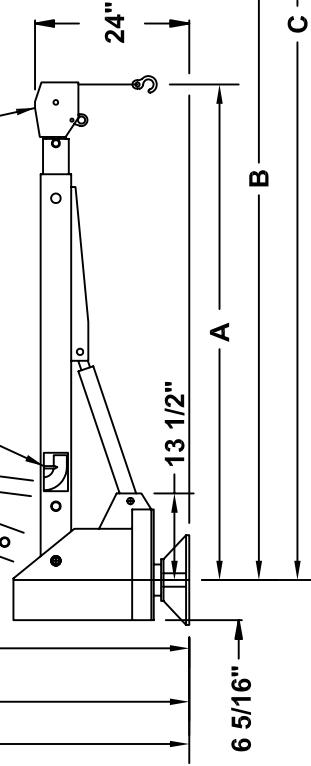
**BASE MOUNTING DIMENSIONS**



**SNATCH BLOCK FOR TWO PART LINE OPERATION**

**THREE POSITION TELESCOPING BOOM**

**BOOM ANGLE CAPACITY DECAL**



PERFORMANCE CHARACTERISTICS		
LOAD (LBS)	PART LINE	LIFTING SPEED (FT/MIN)
0	1	25
500	1	20
1000	1	15
1200	1	13
1200	2	10
1500	2	9
2000	2	8

**ROTATION SPEED = 3/4 - 1 RPM**

DIMENSION	BOOM LENGTH
A	6-10-14 FT
B	77"
C	125"
X	173"
Y	91"
Z	136"
ROPE LENGTH	65 FT
WEIGHT	545 LBS

**TITLE  
INSTALLATION DRAWING**

**ET6KR CRANE**

**DATE  
1-11-05**

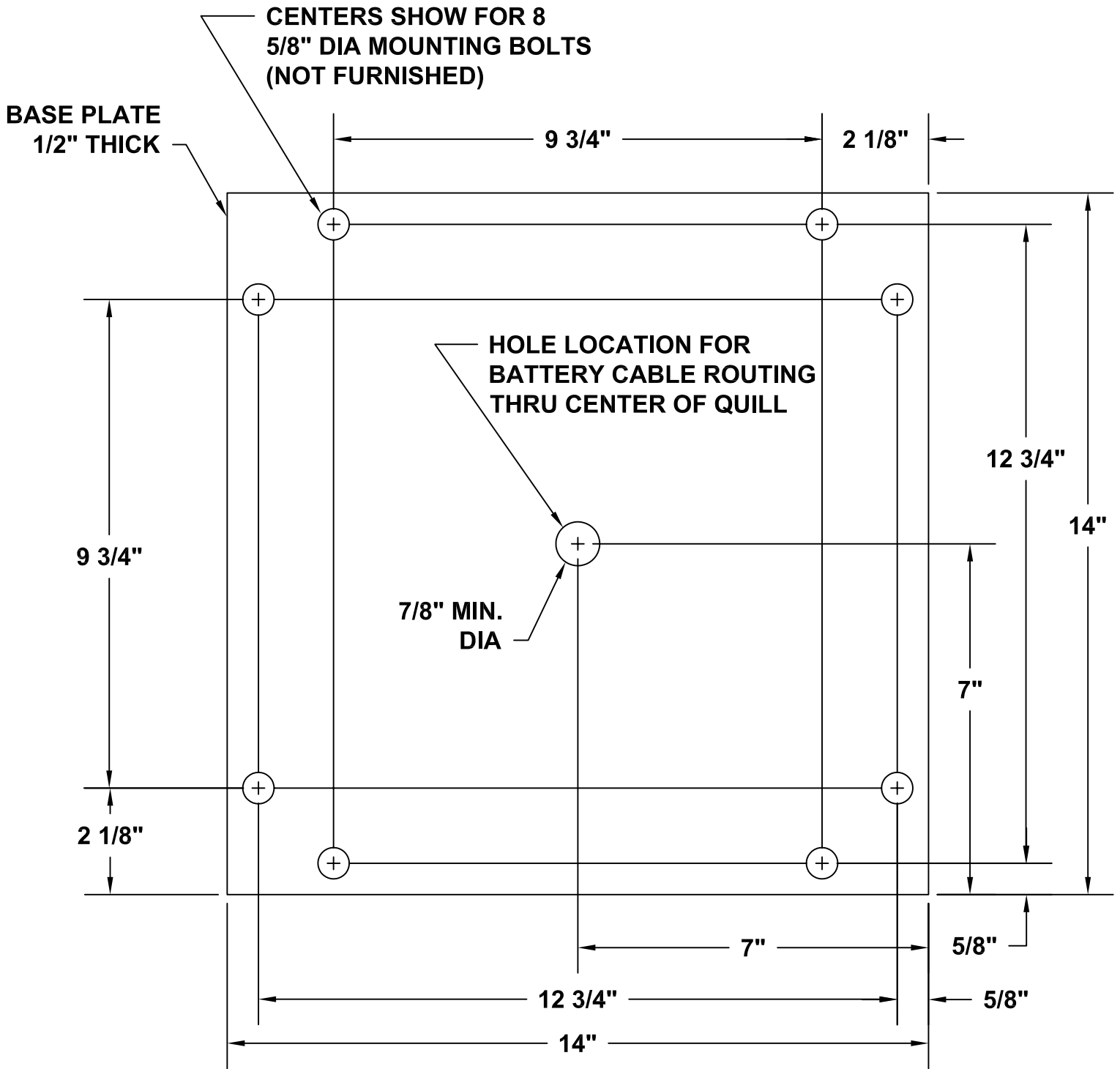
**SUPERSEDES  
-**

**SECTION  
C100**

**20749**

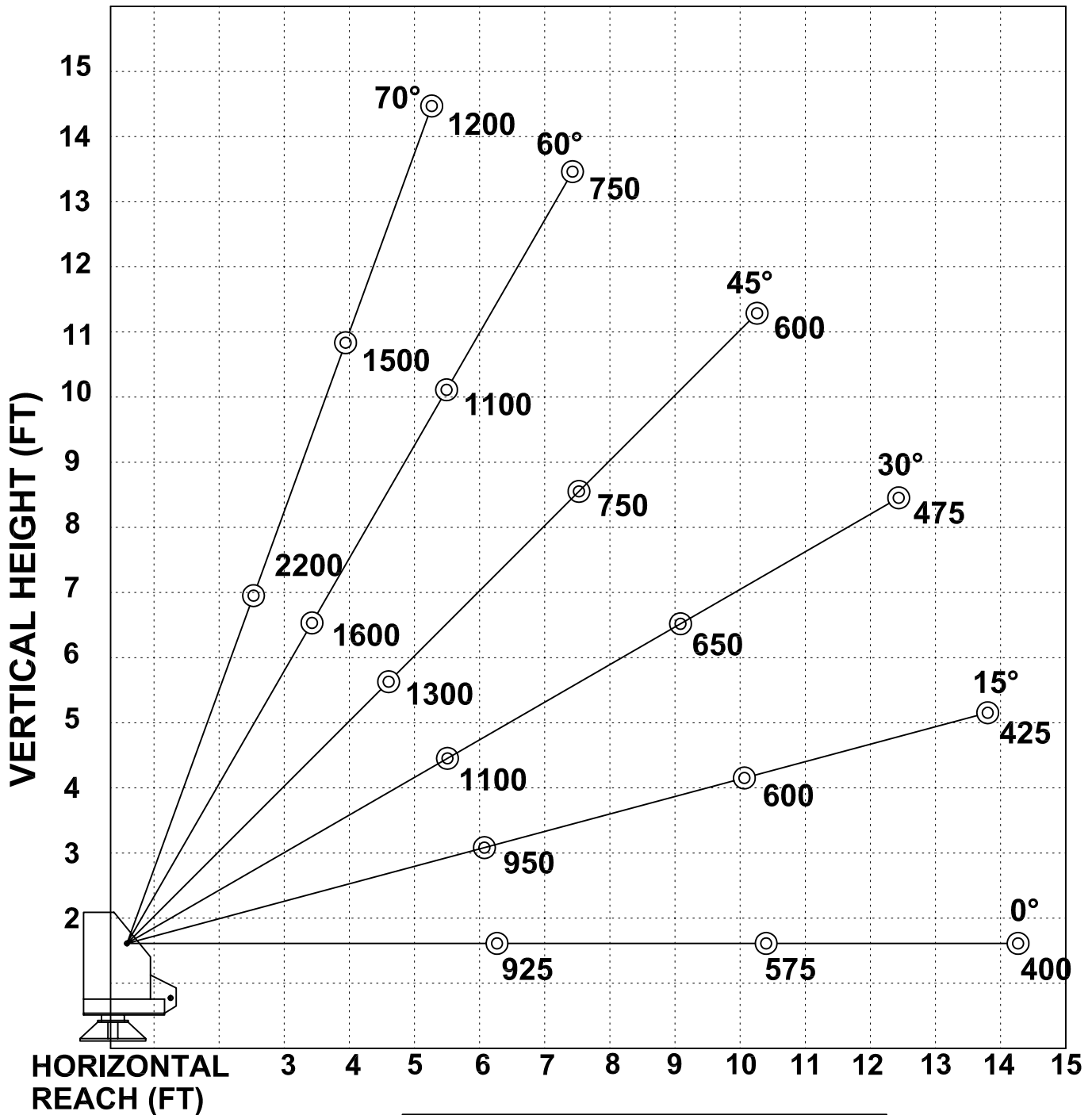
**VENTURO** MANUFACTURING, INC.  
CINCINNATI, OHIO

# MOUNTING HOLE TEMPLATE



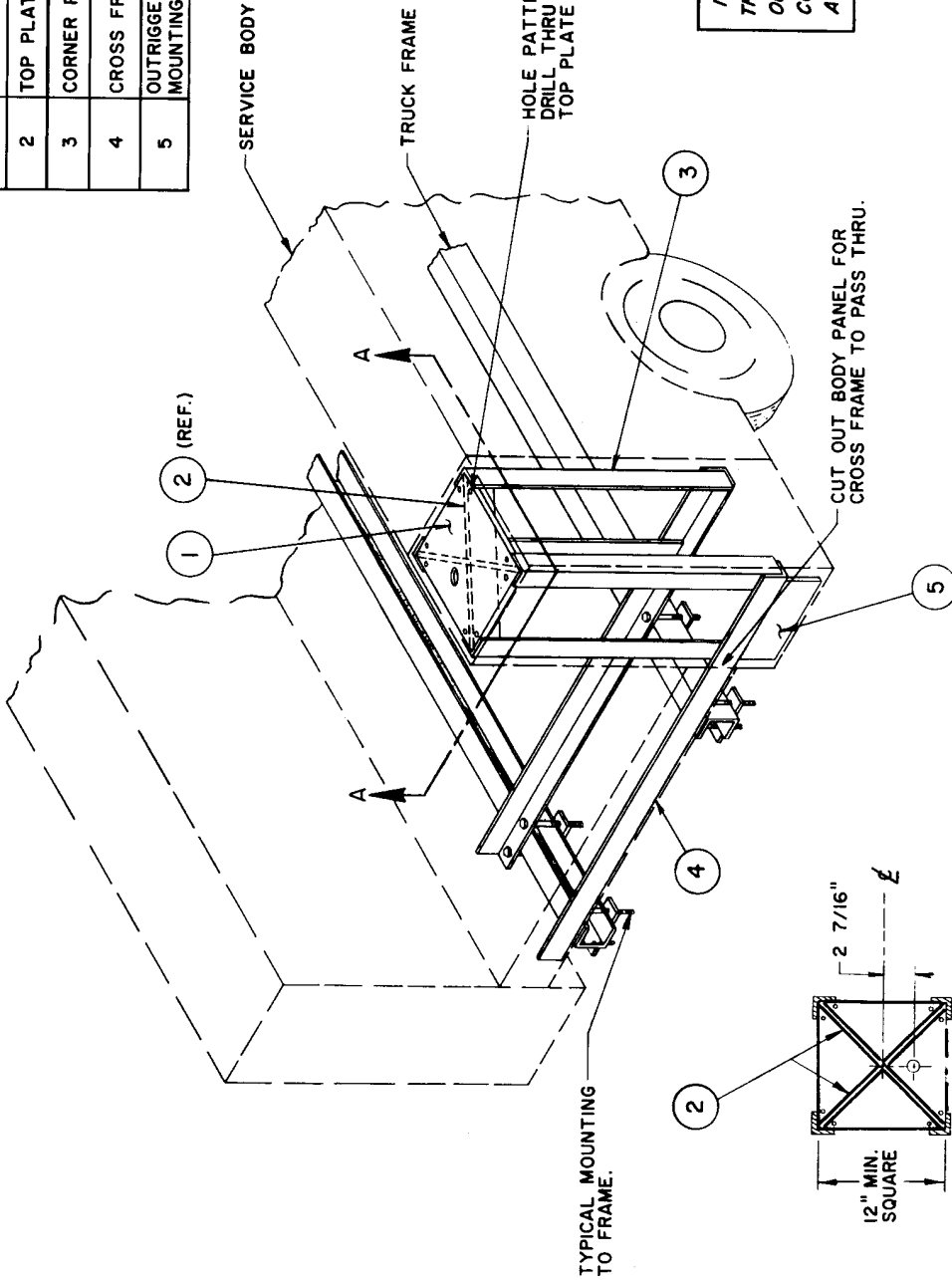


# ET6K (M/R) 6-10-14 BOOM MAXIMUM CAPACITY CHART



**MUST USE SNATCH BLOCK  
FOR LOADS OF 1200 LBS.  
AND GREATER**

PART	DESCRIPTION	MINIMUM RECOMMENDED MATERIAL SIZE
1	TOP PLATE	5/16" OR 3/8" STEEL PLATE
2	TOP PLATE RIBS	3/8" x 4" STEEL BAR
3	CORNER POSTS	2 1/2" x 2 1/2" x 5/16" STEEL ANGLE
4	CROSS FRAME	3 1/2" x 2 1/2" x 3/8" STEEL ANGLE (CHANNEL OPTIONAL)
5	OUTRIGGER MOUNTING PLATE	1/4" STEEL PLATE



IT IS THE SOLE RESPONSIBILITY OF THE INSTALLER TO INSURE THAT THE TOTAL STRUCTURE OF CRANE, TRUCK, AND OUTRIGGERS ARE STRUCTURALLY SOUND AND THAT THE COMPLETED VEHICLE HAS SUFFICIENT STABILITY AGAINST OVERTURNING.

TYPICAL REINFORCEMENT FOR MOUNTING CRANE ON TOP OF SERVICE BODY.

VENTURO  
MANUFACTURING, INC.  
CINCINNATI, OHIO

TITLE  
INSTALLATION DRAWING

ET5500MPB, ET6KM

DATE  
6-17-98E

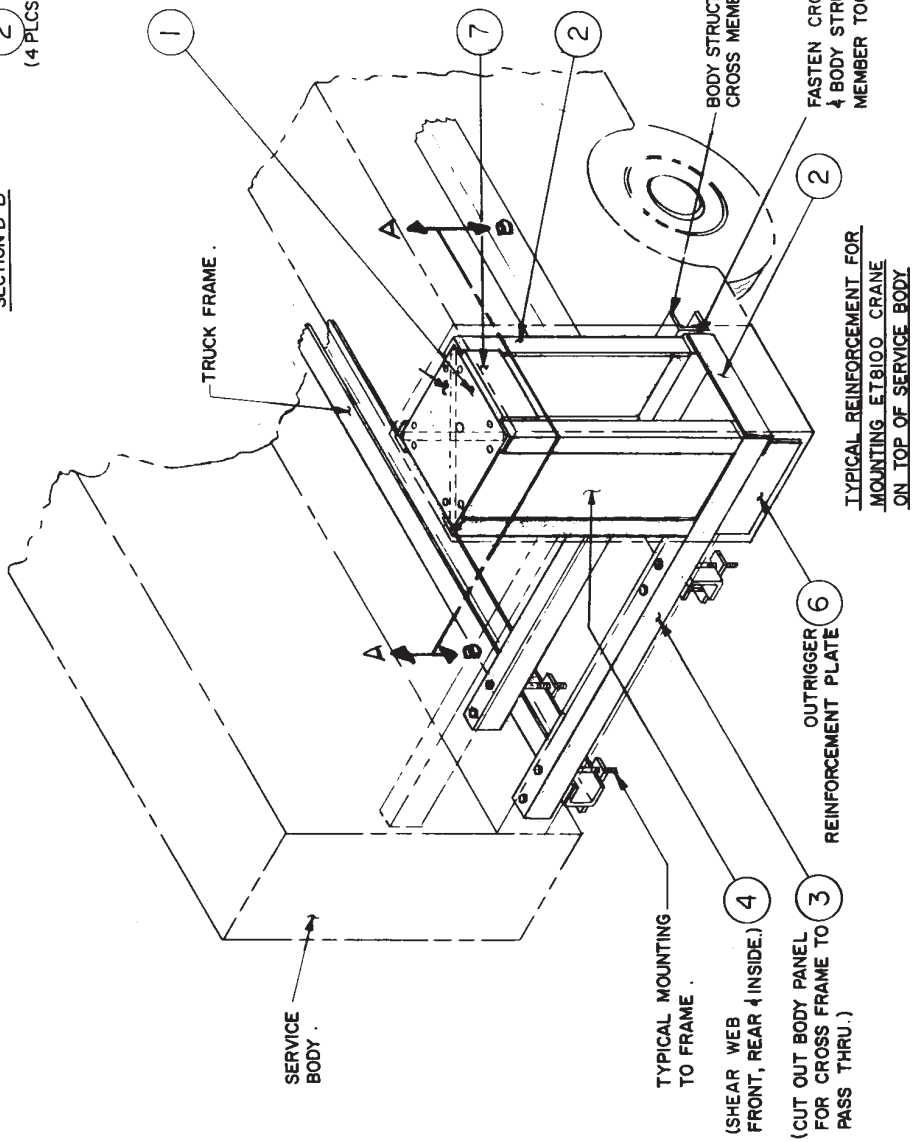
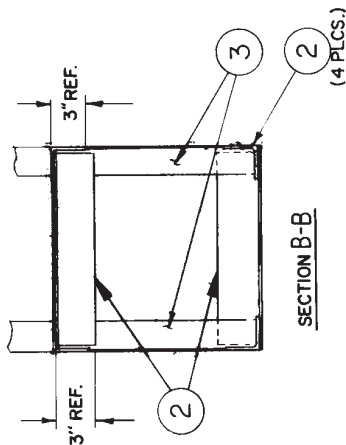
SUPERCEDES  
4-1-96D

SECTION  
C100

I13497

PART	DESCRIPTION	MINIMUM RECOMMENDED MATERIAL SIZE
1	TOP PLATE	3/8" STEEL
2	CORNER POST	3" x 3" x 1/4" STEEL ANGLE
3	CROSS FRAME	2" x 4" x 1/4" W STRUCTURAL TUBING or 4" x 7.25LB STANDARD STEEL CHANNEL
4	SHEAR WEB	12 Go.
5	TOP PLATE REINFORCEMENT	3/8" x 4" STEEL BAR
6	OUTRIGGER REINFORCEMENT PLATE	3/16" THICK STEEL PLATE
7	GUSSET	1/4" x 4" H.R. STEEL

IT IS THE SOLE RESPONSIBILITY OF THE INSTALLER TO INSURE THAT THE TOTAL STRUCTURE OF CRANE, TRUCK, AND OUTRIGGERS ARE STRUCTURALLY SOUND AND THAT THE COMPLETED VEHICLE HAS SUFFICIENT STABILITY AGAINST OVERTURNING.



**VENTURO**  
MANUFACTURING, INC.  
CINCINNATI, OHIO

TITLE: **INSTALLATION DRAWING**

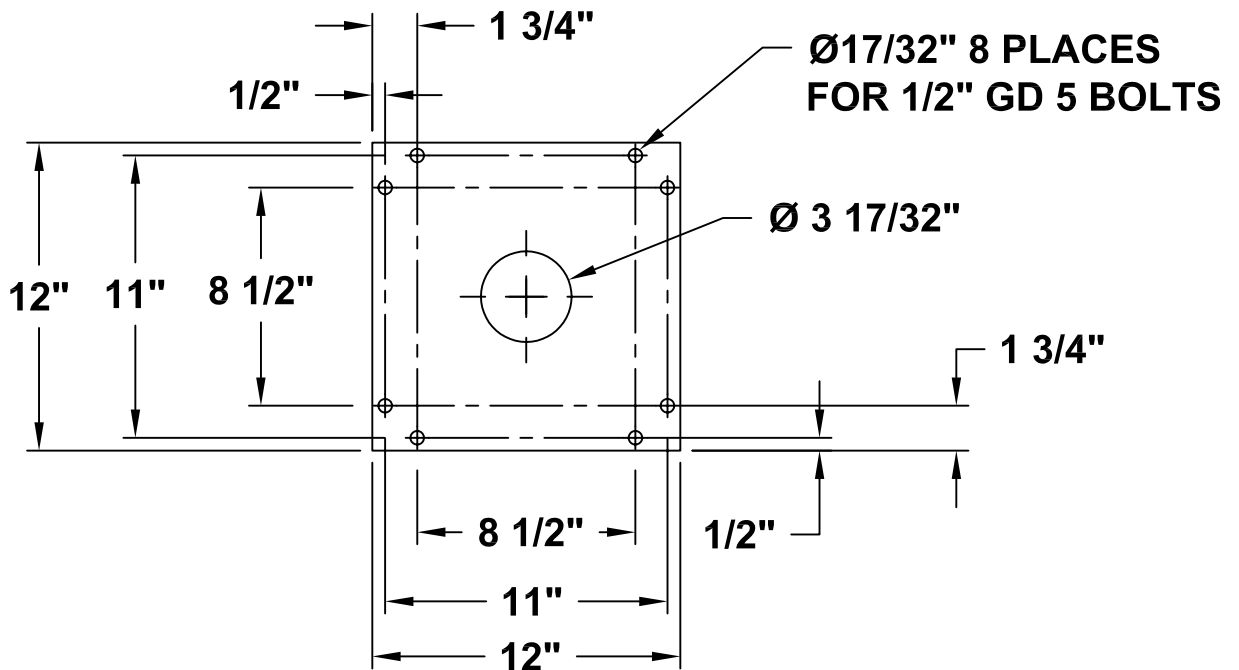
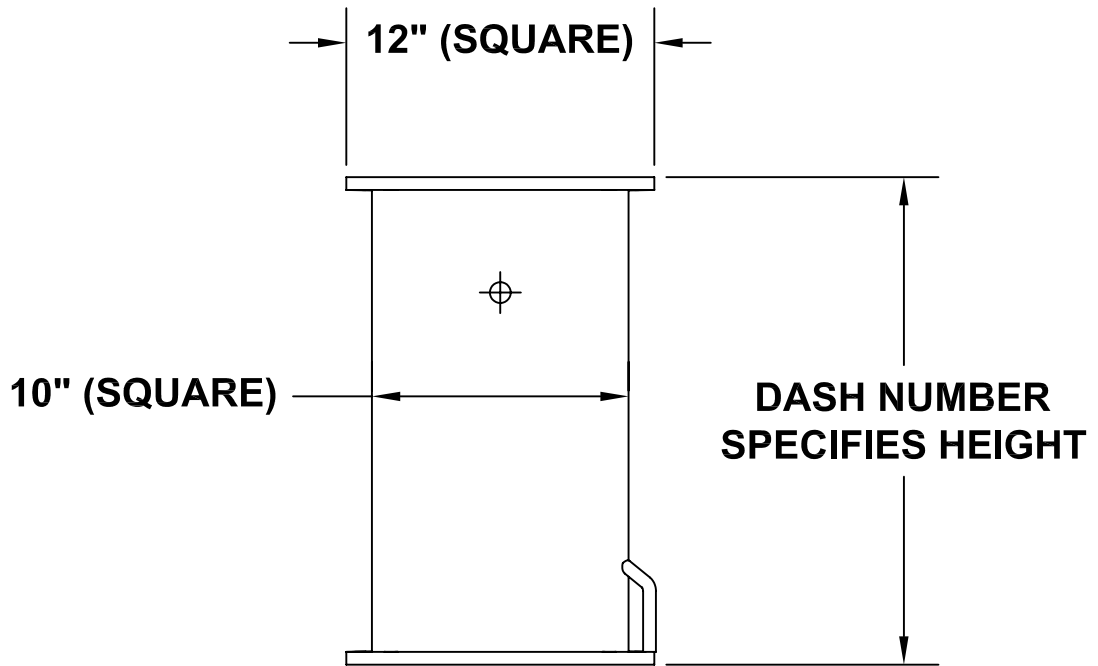
DATE: **12-21-99B**

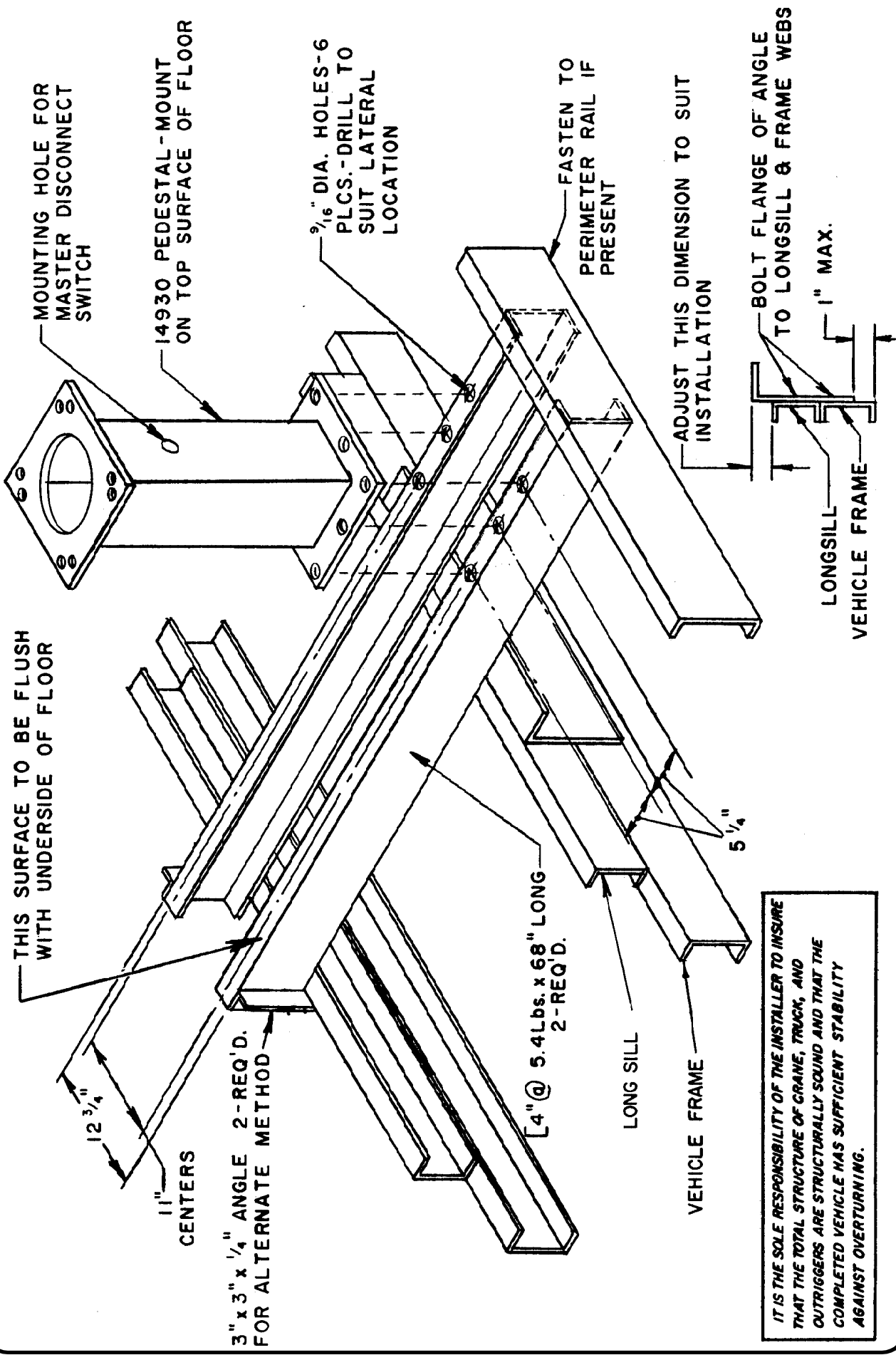
SUPERCEDES: **6-19-98A**

SECTION: **C100**

16938

# 14930 PEDESTAL

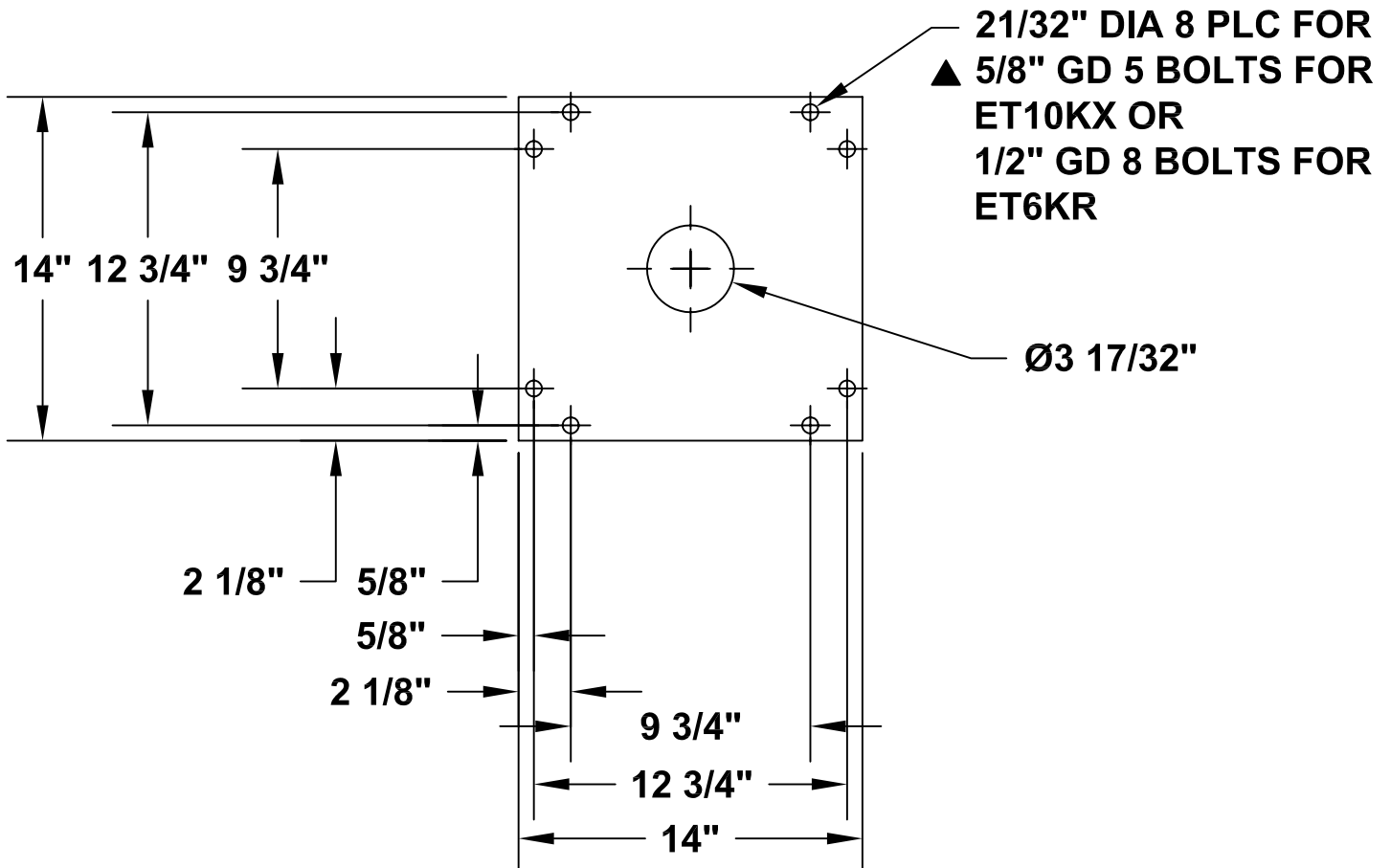
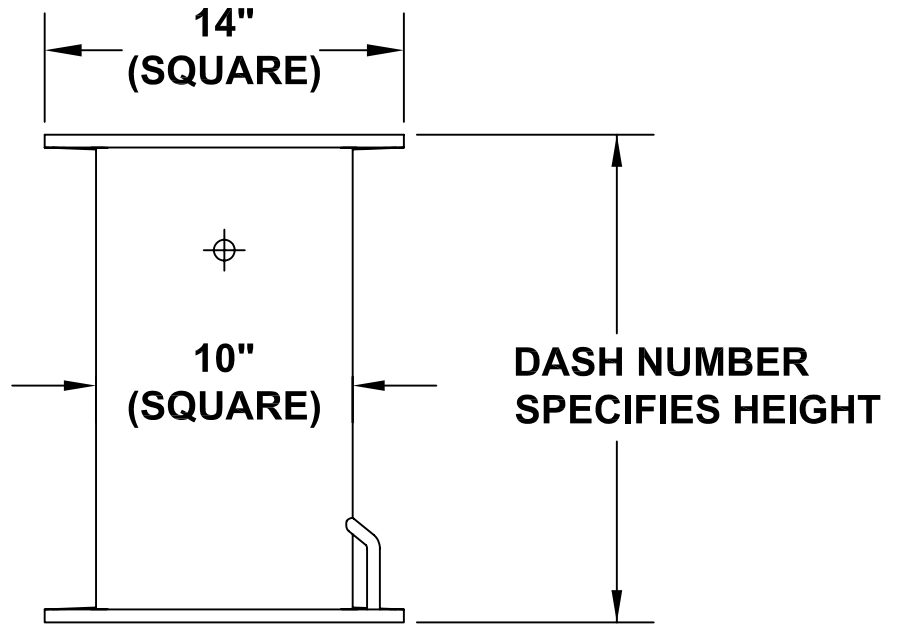




IT IS THE SOLE RESPONSIBILITY OF THE INSTALLER TO INSURE THAT THE TOTAL STRUCTURE OF CRANE, TRUCK, AND OUTRIGGERS ARE STRUCTURALLY SOUND AND THAT THE COMPLETED VEHICLE HAS SUFFICIENT STABILITY AGAINST OVERTURNING.

<b>VENTURO</b> MANUFACTURING, INC. CINCINNATI, OHIO	TITLE	INSTALLATION DRAWING
	DATE	1-19-00F
	SECTION	C100
	SUPERCEDES	6-17-98E
		<b>I14930</b>

# 17340-XX PEDESTAL

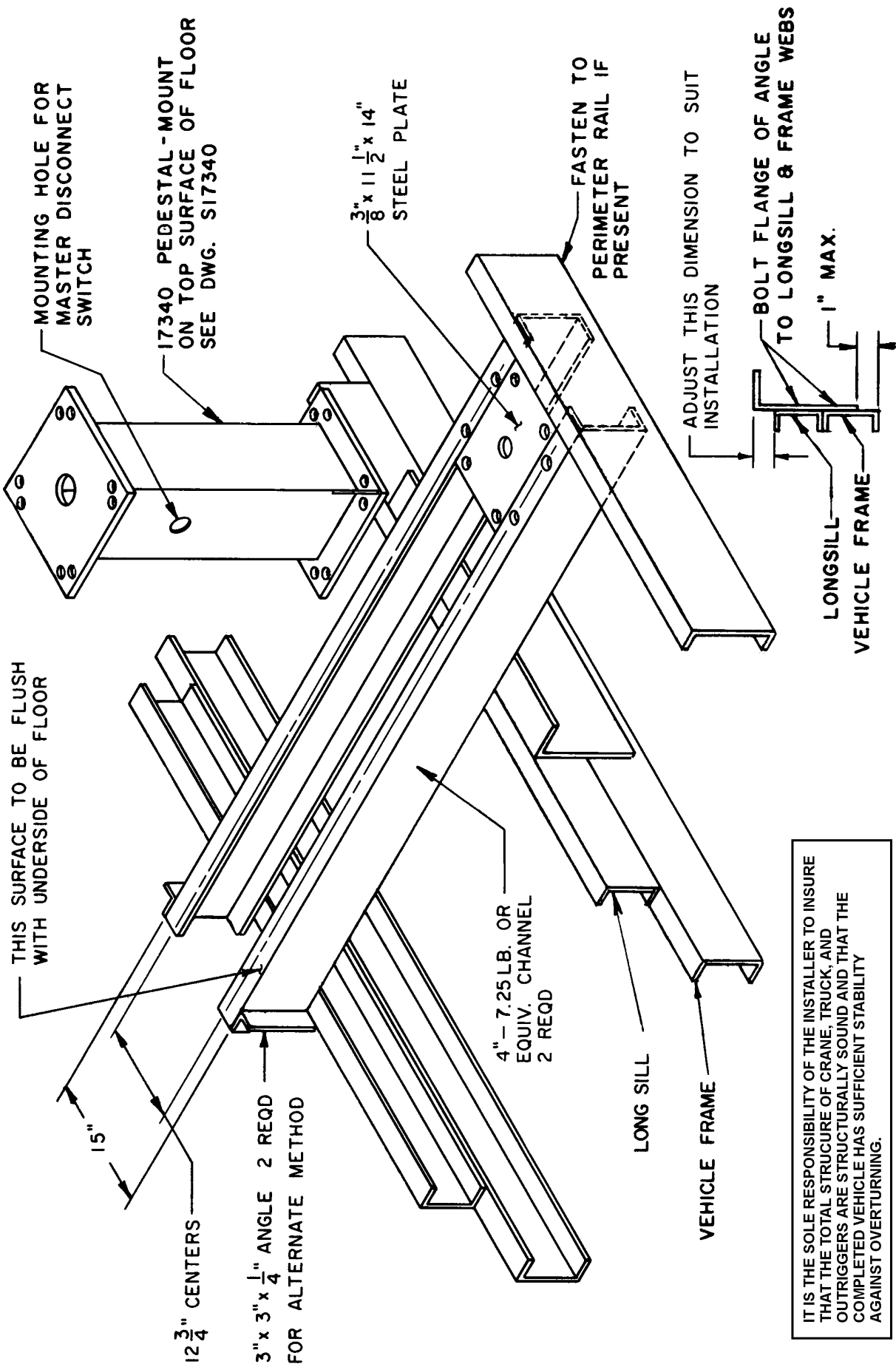


**VENTURO** MFG., INC.  
CINCINNATI, OHIO

TITLE  
17340 MOUNTING PEDESTAL  
▲ ET6KR, ET10K(X) CRANES

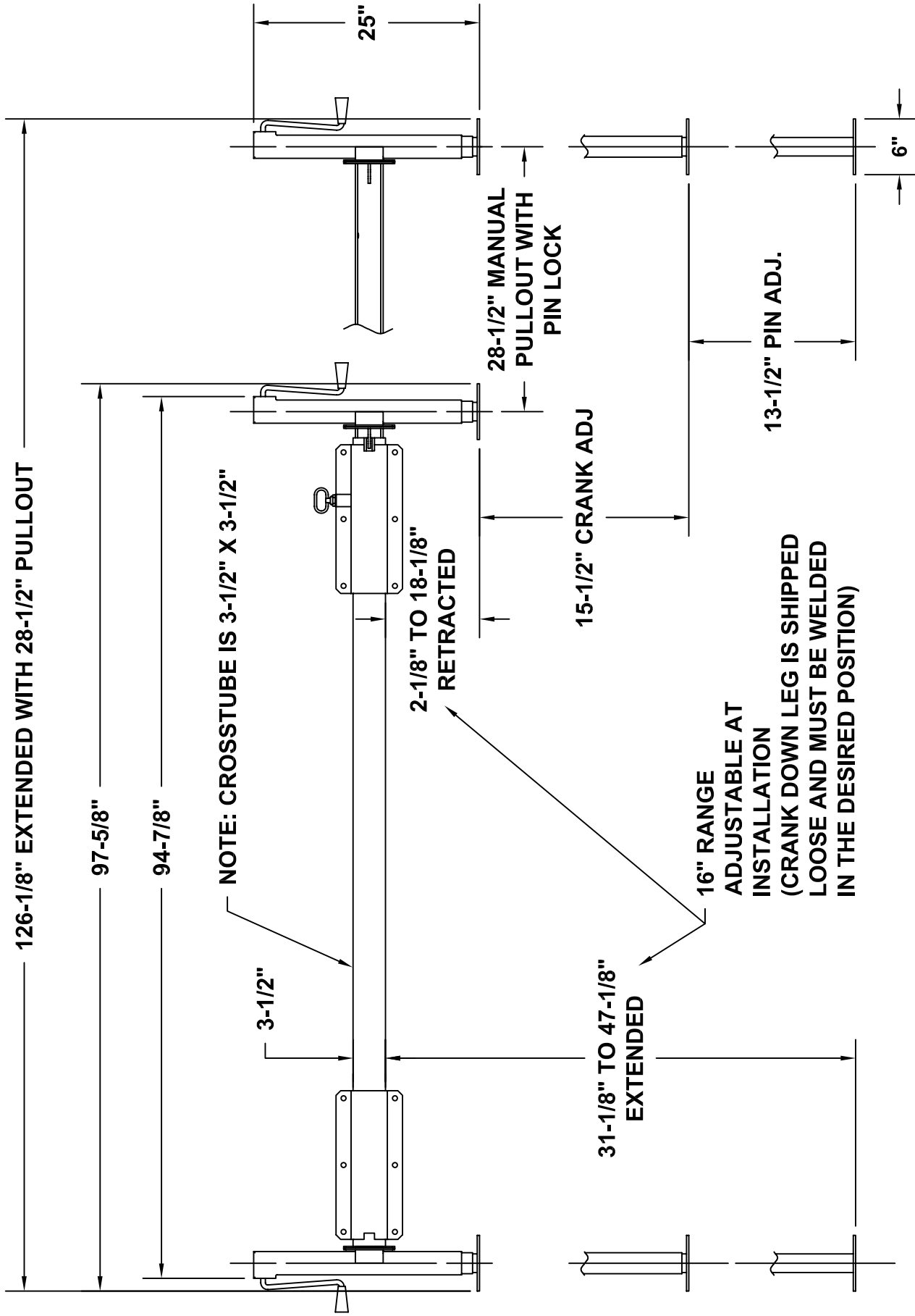
DATE  
11-1-04D  
SUPERSEDES  
1-2-03C

SECTION  
C100  
**S17340**



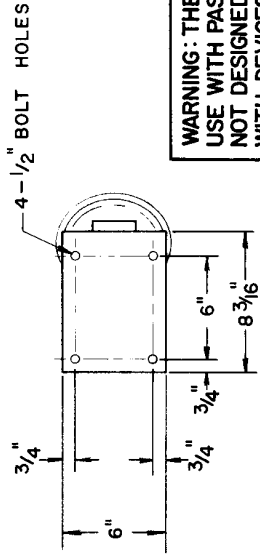
IT IS THE SOLE RESPONSIBILITY OF THE INSTALLER TO INSURE THAT THE TOTAL STRUCTURE OF CRANE, TRUCK, AND OUTRIGGERS ARE STRUCTURALLY SOUND AND THAT THE COMPLETED VEHICLE HAS SUFFICIENT STABILITY AGAINST OVERTURNING.

<b>VENTURO</b> MANUFACTURING, INC. CINCINNATI, OHIO	TITLE <b>INSTALLATION DRAWING</b>		DATE <b>5-1-02C</b>	SECTION <b>C100</b>
	ET6KR, ET8100, ET10K(X) CRANES		SUPERCEDES <b>6-19-98B</b>	<b>I17340</b>

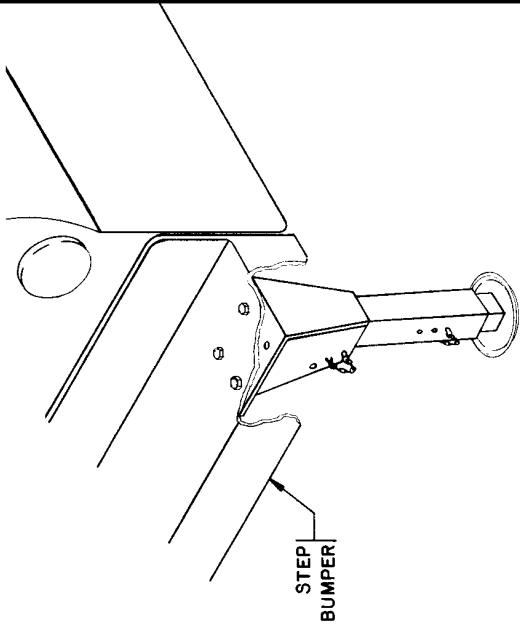
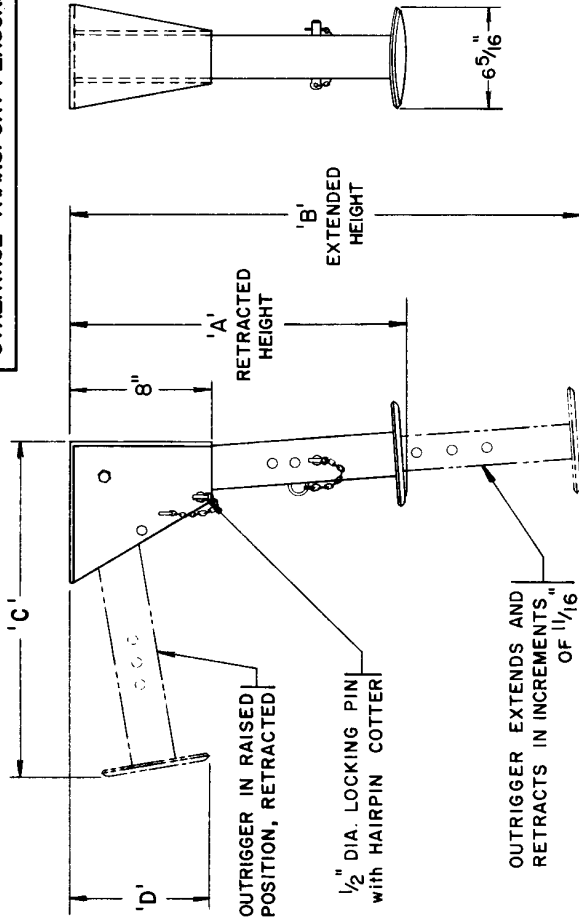




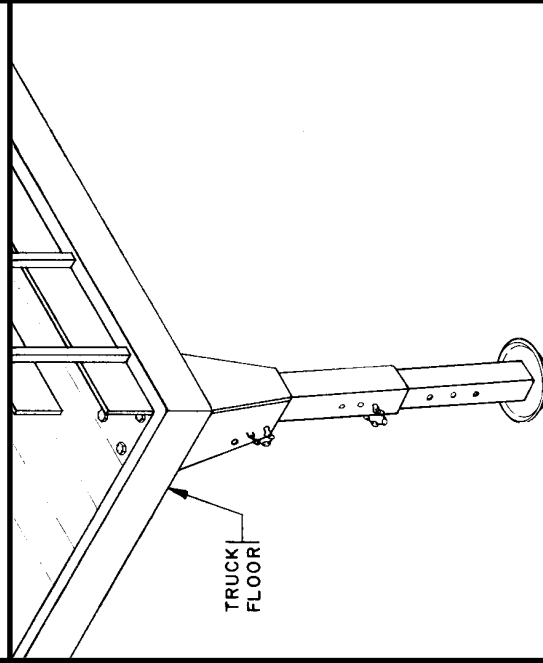
PART No.	DESCRIPTION	'A'	'B'	'C'	'D'
11822-1	SHORT OUTRIGGER	19"	29"	19 3/4"	6 1/2"
11822-2	LONG OUTRIGGER	27"	45"	27 3/4"	9 3/4"



WARNING: THESE PRODUCTS ARE NOT FOR USE WITH PASSENGER LIFTS. THEY ARE NOT DESIGNED OR INTENDED TO BE USED WITH DEVICES THAT LIFT, SUPPORT OR OTHERWISE TRANSPORT PERSONNEL.



TYPICAL SHORT OUTRIGGER INSTALLATION



TYPICAL LONG OUTRIGGER INSTALLATION

TITLE **INSTALLATION DRAWING**

DATE **6-17-98C**

SECTION **C100**

SUPERCEDES **10-12-83B**

**ET5500MPB, ET6KM/R**

**13510**

**VENTURO** MANUFACTURING, INC.  
CINCINNATI, OHIO

WARNING: THESE PRODUCTS ARE NOT FOR USE WITH PASSENGER LIFTS. THEY ARE NOT DESIGNED OR INTENDED TO BE USED WITH DEVICES THAT LIFT, SUPPORT OR OTHERWISE TRANSPORT PERSONNEL.

6 - 3/8" DIA. BOLT HOLES

SERVICE BODY

1/2" DIA. LOCKING PIN WITH HAIRPIN COTTER

OUTRIGGER EXTENDS AND RETRACTS IN INCREMENTS OF 1 1/16"

1/2" TO 2 1/4"

6 5/16" DIA.

TYPICAL INSTALLATION OF  
 13500 MANUAL OUTRIGGER  
 ON TRUCK WITH SERVICE BODY

<b>VENTURO</b> MANUFACTURING, INC. CINCINNATI, OHIO	TITLE	INSTALLATION DRAWING	DATE	6-17-98C	SECTION	C100
		ET5500MPB, ET6KM/R	SUPERCEDES	8-1-83B		13509

# CRANE SAFETY AND HAZARDS

ET5500MPB/R, ET6KMPB/R, ET8100R, ET10K(X), ET18K(X), ET25K(X)

## CAUTIONS

1. INSPECT VEHICLE AND CRANE, INCLUDING OPERATION, PRIOR TO USE DAILY.
2. DO NOT USE THIS EQUIPMENT EXCEPT ON SOLID, LEVEL SURFACE WITH CRANE MOUNTED ON FACTORY-RECOMMENDED TRUCK.
3. BEFORE OPERATING THE CRANE, REFER TO MAXIMUM LOAD (CAPACITY) CHART ON CRANE FOR OPERATING (LOAD) LIMITATIONS.
4. DO NOT OPERATE, WALK, OR STAND BENEATH BOOM OR A SUSPENDED LOAD.
5. ATTACH PENDANT CORD SUPPORT SNAP TO ATTACHMENT POINT BEFORE PLUGGING IN PENDANT.
6. UNPLUG PENDANT AND SHUT OFF MASTER DISCONNECT SWITCH WHEN CRANE NOT IN USE.
7. FOR TRAVEL, BOOM MUST BE IN STOWED POSITION.

## DANGER

- THIS CRANE IS NOT A PASSENGER LIFT
- IT IS NOT DESIGNED OR INTENDED TO BE USED TO LIFT, SUPPORT, OR OTHERWISE TRANSPORT PERSONNEL.

## YOU MUST NOT OPERATE THIS CRANE UNLESS

1. YOU HAVE BEEN TRAINED IN THE SAFE OPERATION OF THIS CRANE  
*AND*
2. YOU KNOW AND FOLLOW THE SAFETY AND OPERATING RECOMMENDATIONS CONTAINED IN THE MANUFACTURER'S MANUALS, YOUR EMPLOYER'S WORK RULES, AND APPLICABLE GOVERNMENT REGULATIONS. AN UNTRAINED OPERATOR SUBJECTS HIMSELF AND OTHERS TO DEATH OR SERIOUS INJURY.

## ELECTROCUTION HAZARD

- THIS MACHINE IS NOT INSULATED.
- MAINTAIN SAFE CLEARANCES FROM ELECTRICAL LINES AND APPARATUS.
- YOU MUST ALLOW FOR BOOM SWAY, ROCK OR SAG, AND ELECTRICAL LINE AND LOADLINE SWAYING.
- THIS LIFTING DEVICE DOES NOT PROVIDE PROTECTION FROM CONTACT WITH OR PROXIMITY TO AN ELECTRICALLY CHARGED CONDUCTOR.
- YOU MUST MAINTAIN A CLEARANCE OF AT LEAST 10 FEET BETWEEN ANY PART OF THE CRANE, LOADLINE, OR LOAD, AND ANY ELECTRICAL LINE OR APPARATUS CARRYING UP TO 50,000 VOLTS. ADDITIONAL CLEARANCE IS REQUIRED FOR VOLTAGES IN EXCESS OF 50,000 VOLTS. REFER TO DRAWING 15394 FOR ADDITIONAL INFORMATION.
- **DEATH OR SERIOUS INJURY** WILL RESULT FROM CONTACT OR INADEQUATE CLEARANCE.



MFG., INC.  
CINCINNATI, OHIO

TITLE  
**INSTALLATION DWG**

**ET5500MPB-ET25KX**

DATE  
**7-29-03G**

SUPERCEDES  
**10-14-97F**

SECTION  
**C150**

**850711**

# VEHICLE & CRANE MOUNTED ELECTRICAL HAZARD SIGN APPLICATION & INFORMATION

ET & HT CRANE SERIES



▲ SIGN NO. 15393A DISPLAYS THE INTERNATIONAL SYMBOL FOR ELECTRICITY AND WARNS OF DANGER FROM AN ELECTRICALLY CHARGED VEHICLE, CRANE, OR LOAD. FOUR ARE RECOMMENDED (ONE FOR EACH SIDE AND ONE FOR EACH END OF VEHICLE) TO BE APPLIED IN LOCATIONS WHICH ARE READILY VISIBLE TO GROUND PERSONNEL.



▲ SIGN NO. 15401 PROVIDES ADDITIONAL WARNING OF LEGAL REQUIREMENTS WHEN OPERATING NEAR HIGH VOLTAGE LINES. THIS SIGN IS PLACED ON THE CONTROL PENDANT SIDE OF BOOM.

## REQUIRED MINIMUM CLEARANCES REFERRED TO ON SIGN NO. 15401

### REQUIRED CLEARANCES FROM OVERHEAD HIGH-VOLTAGE LINES

NOMINAL VOLTAGE (kV) (PHASE TO PHASE)	MINIMUM REQUIRED CLEARANCE (FEET) *
0 - 50	10
over 50 - 200	15
over 200 - 350	20
over 350 - 500	25
over 500 - 750	35
over 750 - 1000	45

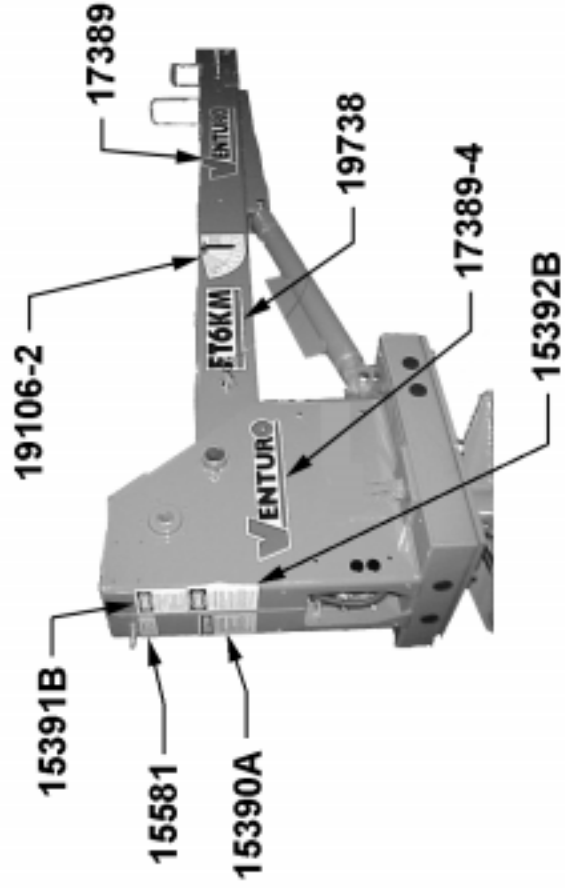
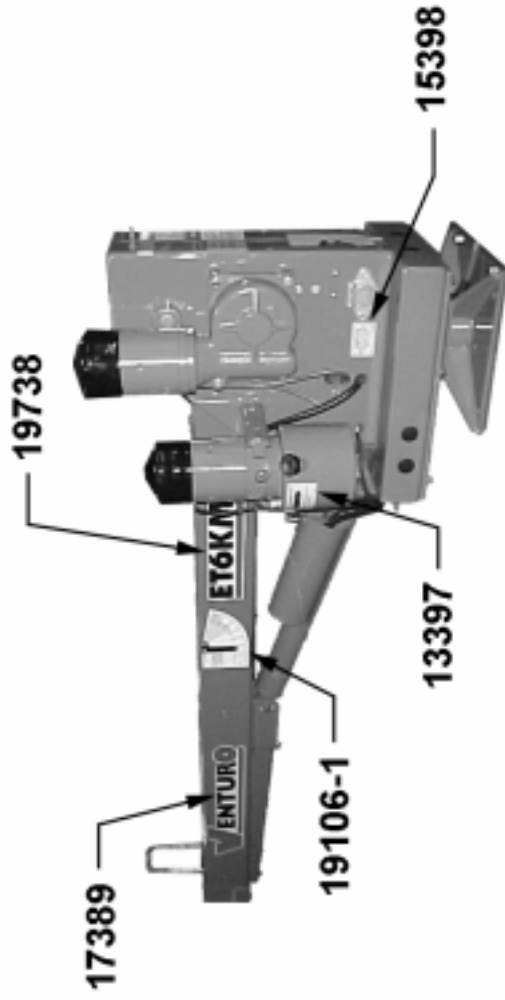
### REQUIRED CLEARANCES FROM ENERGIZED HIGH-VOLTAGE CONDUCTORS (WHILE IN TRANSIT)

NOMINAL VOLTAGE (kV) (PHASE TO PHASE)	MINIMUM REQUIRED CLEARANCE (FEET) *
0 - 0.75	4
over 0.75 - 50	6
over 50 - 345	10
over 345 - 750	16
over 750 - 1000	20

\* NOTE: ENVIRONMENTAL CONDITIONS SUCH AS FOG, SMOKE, OR PRECIPITATION MAY REQUIRE INCREASED CLEARANCES



TITLE <b>INSTALLATION DWG</b>	DATE <b>5-15-02H</b>	SECTION <b>C150</b>
<b>ET &amp; HT CRANE SERIES</b>	SUPPERCEDES <b>5-13-97G</b>	<b>15394</b>



MANUFACTURING, INC.  
CINCINNATI, OHIO

TITLE  
**DECAL PLACEMENT**

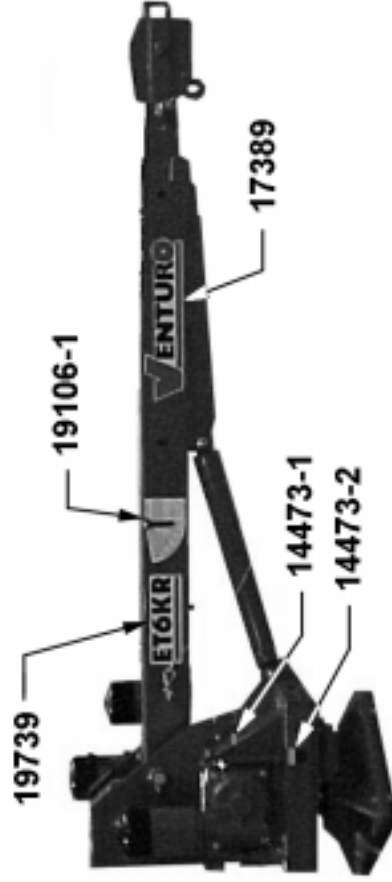
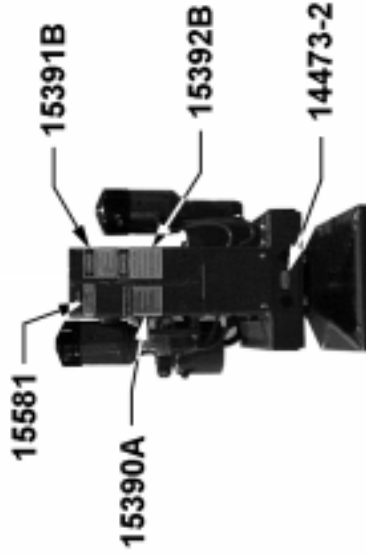
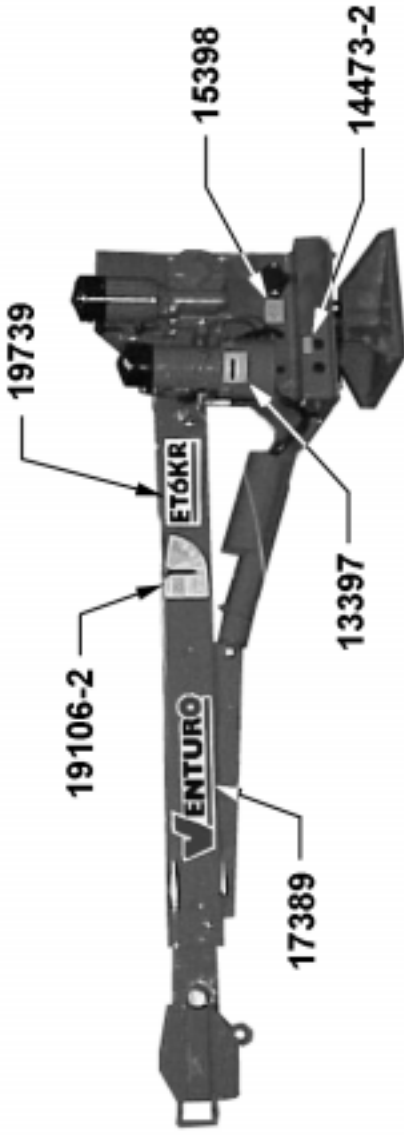
**ET6KM**

DATE  
**12-18-98**

SUPERCEDES  
-

SECTION  
**C100**

**19567**



**VENTURO**  
 MANUFACTURING, INC.  
 CINCINNATI, OHIO

TITLE  
**DECAL PLACEMENT**

**ET6KR**

DATE  
**12-18-98**

SUPPERCEDES  
 -

SECTION  
**C100**

**19566**

PART NO.: 15390  
 DECAL: CAUTION - INSPECT VEHICLE & CRANE  
 FUNCTION: To inform the operator of key operating requirements.  
 QUANTITY: 1  
 PLACEMENT: Rear cover.



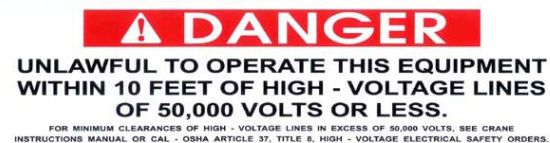
PART NO.: 15391  
 DECAL: DANGER - NOT PASSENGER LIFT  
 FUNCTION: To inform the operator not to lift, support or transport personnel, and to ensure that crane operator is adequately trained.  
 QUANTITY: 1  
 PLACEMENT: Rear cover.



PART NO.: 15392  
 DECAL: DANGER - ELECTROCUTION HAZARD  
 FUNCTION: To inform the operator that the machine (crane) represents an electrocution hazard should it come close to or in contact with electrical voltage source.  
 QUANTITY: 1  
 PLACEMENT: Rear cover.



PART NO.: 15401  
 DECAL: UNLAWFUL TO OPERATE  
 FUNCTION: To inform the operator of proper operation in vicinity of power lines.  
 QUANTITY: 1  
 PLACEMENT: Right side of housing.



MFG., INC.  
 CINCINNATI, OHIO

TITLE
<b>SAFETY DECALS</b>
<b>CRANES</b>

DATE
<b>9-6-05</b>
SUPERSEDES
-

SECTION
<b>C150</b>
<b>21353</b>

PART NO.: 15393A

DECAL: DANGER - ELECTROCUTION HAZARD

FUNCTION: Warns of danger from electrically charged vehicle, crane or lead.

QUANTITY: 4

PLACEMENT: One on each side and each end of vehicle.



PART NO.: 15513

DECAL: MASTER DISCONNECT SWITCH

FUNCTION: To inform the operator of location and operation of master disconnect switch.

QUANTITY: 1

PLACEMENT: On master disconnect switch bracket.



MFG., INC.  
CINCINNATI, OHIO

TITLE  
**SAFETY DECALS**

DATE  
**4-26-06**

SECTION  
**C150**

**CRANES**

SUPERSEDES  
-

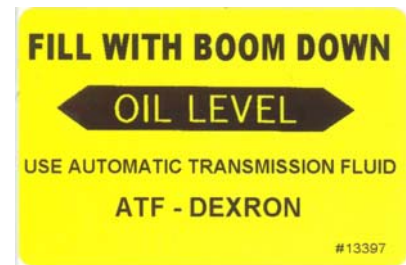
**21384**



PART NO.: 14473-2  
 DECAL: GREASE  
 FUNCTION: To show the operator where to apply grease.  
 QUANTITY: Varies  
 PLACEMENT: Near grease fittings.



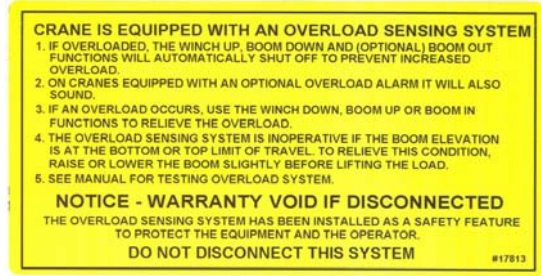
PART NO.: 13397  
 DECAL: OIL LEVEL  
 FUNCTION: To inform the operator of proper oil level to maintain.  
 QUANTITY: 1  
 PLACEMENT: Side of hydraulic power unit.



PART NO.: 15398  
 DECAL: UNPLUG REMOTE CONTROL  
 FUNCTION: To inform the operator to unplug remote control when not in use.  
 QUANTITY: 1  
 PLACEMENT: Near pendant socket.



PART NO.: 17813  
 DECAL: OVERLOAD SENSING SYSTEM  
 FUNCTION: To advise the operator of the operation of the overload system.  
 QUANTITY: 1  
 PLACEMENT: Right side of housing.



PART NO.: 15581  
 DECAL: ATTACHMENT  
 FUNCTION: To show the attachment point for pendant support cord.  
 QUANTITY: 1  
 PLACEMENT: Rear of housing.



PART NO.: 19731-2  
 DECAL: SNATCH BLOCK CAPACITY DECAL  
 FUNCTION: To show the capacity of snatch block.  
 QUANTITY: 2  
 PLACEMENT: Each side of snatch block.



TITLE	DATE	SECTION
MISC. DECALS	7-27-06A	C150
ET6KR - <sup>^</sup> ET8K(X) - ET10K(X)	SUPERSEDES 9-7-05	<b>21362</b>

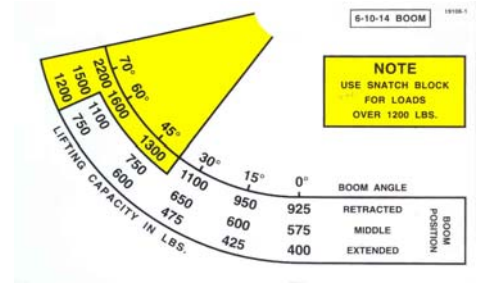
PART NO.: 19106-1 & 19106-2

DECAL: CRANE CAPACITY

FUNCTION: To show the operator the operating capacities of the crane.

QUANTITY: 1 each

PLACEMENT: One on each side of boom.



PART NO.: 19738

DECAL: MODEL NUMBER

FUNCTION: To show the model of the crane.

QUANTITY: 2

PLACEMENT: One on each side of boom.

# ET6KM



MFG., INC.  
CINCINNATI, OHIO

TITLE  
MODEL & CAPACITY DECALS

DATE  
9-9-05

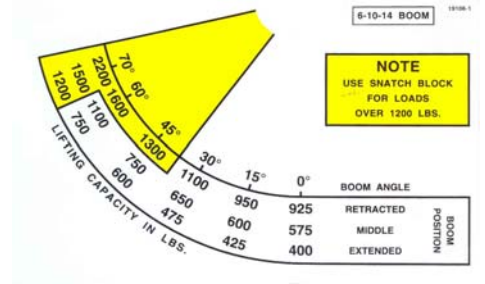
SECTION  
C150

ET6KM

SUPERSEDES  
-

21365

PART NO.: 19106-1 & 19106-2  
 DECAL: CRANE CAPACITY  
 FUNCTION: To show the operator the operating capacities of the crane.  
 QUANTITY: 1 each  
 PLACEMENT: One on each side of boom.



PART NO.: 19739  
 DECAL: MODEL NUMBER  
 FUNCTION: To show the model of the crane.  
 QUANTITY: 2  
 PLACEMENT: One on each side of boom.



MFG., INC.  
 CINCINNATI, OHIO

TITLE	DATE	SECTION
MODEL & CAPACITY DECALS	9-9-05	C150
ET6KR	SUPERSEDES	21364
	-	

# INSTALLATION INSTRUCTIONS

MODEL(S): ET6KM

## CAPACITY - REFERENCE DRAWING I19113

6-10-14 FT BOOM - 400 LBS @ 14 FT REACH - 2200 LBS @ 2.5 FT REACH

## 12 VOLT ELECTRIC

### STANDARD EQUIPMENT

- MOMENT OVERLOAD FUNCTION SHUT-OFF SYSTEM
- CABLE OVERHAUL WEIGHT
- SWIVEL SNATCH BLOCK
- 20 FT PLUG-IN PENDANT CONTROL
- MASTER DISCONNECT SWITCH
- 65 FT (6-10-14) OF 3/16" WIRE ROPE AND HOOK WITH SAFETY LATCH
- 25 FT. OF #2 BATTERY CABLE PLUS 4 FT FROM CRANE TO DISCONNECT SWITCH

### OPTIONAL EQUIPMENT

- OUTRIGGERS - RECOMMENDED WITH VEHICLES OF 10,000 GVW OR LESS
- MOMENT OVERLOAD ALARM (MOMENT OVERLOAD FUNCTION SHUT-OFF SYSTEM WITHOUT ALARM IS STANDARD)
- MOUNTING PEDESTAL - 36" HIGH

REFERENCE DRAWINGS	INSTALLATION INSTRUCTIONS
20748 113497 114930	1. Select mounting location to clear 13 1/2" housing swing radius. Provide a strong and rigid mounting base. See installation drawings for typical construction of pedestal base for behind cab mounting and reinforcement for mounting on top of service body. Similar reinforcement is required for mounting crane on floor of truck or on 14930 pedestal.
	2. Drill eight clearance holes for 1/2" diameter mounting bolts (not provided). If battery cable is to be routed down through center of the quill and at the center of the base, underneath the floor, drill 7/8" diameter hole.
711105 15660	3. Route battery cable out center of base. Bolt base assembly in position. Assemble master disconnect switch to battery cables and mount in convenient spot. Connect long battery cable to battery. NOTE REQUIREMENTS FOR ADEQUATE WIRING & BATTERY
20748 711006	4. Assemble wire rope to housing assembly. WARNING - be sure that breather cap is installed on hydraulic power unit prior to operation.
22686 13509 13510	5. Install optional outriggers if required. Provide necessary reinforcement.



TITLE <b>INSTALLATION INFO</b>	DATE <b>1-12-05</b>	SECTION <b>C200</b>
<b>ET6KM</b>	SUPERCEDES -	<b>20773</b>

# OPERATING AND MAINTENANCE INSTRUCTIONS

MODEL(S): ET6KM

## OPERATING INSTRUCTIONS

- ELECTRIC WINCH**  
Controlled by plug-in remote pendant. NOTE - Snatch block must be used for loads in excess of 1200 lbs.
- BOOM ELEVATION**  
Controlled by plug-in remote pendant. Electric-hydraulic power unit allows full power lifting and lowering of capacity loads.
- MANUAL ROTATION**  
Controlled by handle operated brake. Crane can be rotated continuously 360 deg or more. Depress brake handle to adjust for full 180 deg. operating range of handle.
- CONTROL PRIORITY SYSTEM**  
As a built-in safety feature, the control priority system allows the operator to perform only one major and one minor function at any one time. Major functions are winch up and boom up. Minor functions are winch down and boom down.  
WINCH UP has priority over BOOM UP  
BOOM DOWN and WINCH DOWN can be operated with any other function.
- MOMENT OVERLOAD FUNCTION SHUT-OFF SYSTEM**  
A moment overload shut-off system is also provided as a built-in safety feature. When the system detects a moment overload condition, it disables the winch up and boom down functions. The winch down and boom up functions remain operational to allow the operator to eliminate the overload condition.
- TELESCOPING BOOM**  
The 6-10-14 ft. and 10-18 ft. booms can be manually extended. Toggle pin(s) lock the boom in the selected position.
- MASTER DISCONNECT SWITCH**  
The master disconnect switch cuts supply current from the battery and should be turned OFF when the crane is not in use.
- CAPACITY INDICATOR**  
Select boom reach and angle allowable for load by using the capacity indicator arrow and chart on either side of the boom.

## MAINTENANCE

Crane requires only periodic lubrication. Swivel (rotation) bearings are self-lubricating.  
Fill Winch Gear Box to level of plug with S.A.E. 140 Hypoid Lubricant.  
Chain should be oiled lightly (DO NOT GREASE). Excess oil or grease will collect road grit and cause excessive chain wear.  
NOTE: Fill electric-hydraulic power unit reservoir to oil level line with the boom down. Use Automatic Transmission Fluid Type "B" (DEXRON). Below 20 deg. F add 3/4 pt. Kerosene. Check periodically or when boom action is affected.



TITLE	DATE	SECTION
INSTALLATION INFO	10-14-97A	C200
ET6KM	SUPERCEDES 4-8-96	119116

# INSTALLATION INSTRUCTIONS

MODEL(S): ET6KR

## CAPACITY - REFERENCE DRAWING I19113

6-10-14 FT BOOM - 400 LBS @ 14 FT REACH - 2200 LBS @ 2.5 FT REACH

## 12 VOLT ELECTRIC

### STANDARD EQUIPMENT

- MOMENT OVERLOAD FUNCTION SHUT-OFF SYSTEM
- CABLE OVERHAUL WEIGHT
- SWIVEL SNATCH BLOCK
- 20 FT PLUG-IN PENDANT CONTROL
- MASTER DISCONNECT SWITCH
- 65 FT (6-10-14) OF 3/16" WIRE ROPE AND HOOK WITH SAFETY LATCH
- 25 FT. OF #2 BATTERY CABLE PLUS 4 FT FROM CRANE TO DISCONNECT SWITCH

### OPTIONAL EQUIPMENT

- OUTRIGGERS - RECOMMENDED WITH VEHICLES OF 10,000 GVW OR LESS
- MOMENT OVERLOAD ALARM (MOMENT OVERLOAD FUNCTION SHUT-OFF SYSTEM WITHOUT ALARM IS STANDARD)
- MOUNTING PEDESTAL - 36" HIGH

REFERENCE DRAWINGS	INSTALLATION INSTRUCTIONS
20749 113497 114930	1. Select mounting location to clear 13 1/2" housing swing radius. Provide a strong and rigid mounting base. See installation drawings for typical construction of pedestal base for behind cab mounting and reinforcement for mounting on top of service body. Similar reinforcement is required for mounting crane on floor of truck or on 17340 pedestal.
	2. Drill eight clearance holes for 5/8" diameter mounting bolts (not provided). If battery cable is to be routed down through center of the quill and at the center of the base, underneath the floor, drill 7/8" diameter hole.
711105 15660	3. Route battery cable out center of base. Bolt base assembly in position. Assemble master disconnect switch to battery cables and mount in convenient spot. Connect long battery cable to battery. NOTE REQUIREMENTS FOR ADEQUATE WIRING & BATTERY
20749 711006	4. Assemble wire rope to housing assembly. WARNING - be sure that breather cap is installed on hydraulic power unit prior to operation.
22686 13509 13510	5. Install optional outriggers if required. Provide necessary reinforcement.



TITLE <b>INSTALLATION INFO</b>	DATE <b>1-12-05</b>	SECTION <b>C200</b>
<b>ET6KR</b>	SUPERCEDES -	<b>20772</b>

# OPERATING AND MAINTENANCE INSTRUCTIONS

MODEL(S): ET6KR

## OPERATING INSTRUCTIONS

- ELECTRIC WINCH**  
Controlled by plug-in remote pendant. NOTE - Snatch block must be used for loads in excess of 1200 lbs.
- BOOM ELEVATION**  
Controlled by plug-in remote pendant. Electric-hydraulic power unit allows full power lifting and lowering of capacity loads.
- POWER ROTATION**  
Controlled by plug-in remote pendant. Crane can be rotated continuously 360 deg. or more under full crane loading.
- CONTROL PRIORITY SYSTEM**  
As a built-in safety feature, the control priority system allows the operator to perform only one major and one minor function at any one time. Major functions are rotation right and left, winch up, and boom up. Minor functions are winch down and boom down.  
WINCH UP has priority over BOOM UP and ROTATION  
BOOM UP has priority over ROTATION  
BOOM DOWN and WINCH DOWN can be operated with any other function.
- MOMENT OVERLOAD FUNCTION SHUT-OFF SYSTEM**  
A moment overload shut-off system is also provided as a built-in safety feature. When the system detects a moment overload condition, it disables the winch up and boom down functions. The winch down, boom up, and rotation functions remain operational to allow the operator to eliminate the overload condition.
- TELESCOPING BOOM**  
The 6-10-14 ft. and 10-18 ft. booms can be manually extended. Toggle pin(s) lock the boom in the selected position.
- MASTER DISCONNECT SWITCH**  
The master disconnect switch cuts supply current from the battery and should be turned OFF when the crane is not in use.
- CAPACITY INDICATOR**  
Select boom reach and angle allowable for load by using the capacity indicator arrow and chart on either side of the boom.

## MAINTENANCE

Crane requires only periodic lubrication. Swivel (rotation) bearings are self-lubricating. Fill Winch and Rotation Gear Boxes to level of plug with S.A.E. 140 Hypoid Lubricant. Chains should be oiled lightly (DO NOT GREASE). Excess oil or grease will collect road grit and cause excessive chain wear. Moly filled chassis grease should be applied by pressure grease gun to fittings on each end of rotation worm shaft and on rotation gear teeth through the provided ports in the crane housing. NOTE: Fill electric-hydraulic power unit reservoir to oil level line with the boom down. Use Automatic Transmission Fluid Type "B" (DEXRON). Below 20 deg. F add 3/4 pt. Kerosene. Check periodically or when boom action is affected.



TITLE	DATE	SECTION
INSTALLATION INFO	10-14-97A	C200
ET6KR	SUPERCEDES 4-8-96	119118



# IMPORTANT

## ADEQUATE WIRING IMPERATIVE FOR PROPER OPERATION

1. PROPER GROUND PATH - SEE DWG 15660
  
2. CURRENT DRAW IS SEVERAL HUNDRED AMPERES -  
ADEQUATE WIRE SIZE AND BATTERY CAPACITY IS ABSOLUTELY  
ESSENTIAL (SEE CHART BELOW.)

### MINIMUM WIRE GAUGE AND BATTERY SIZE

MODEL	TOTAL LENGTH OF CABLE (FT)*								12 VOLT BATTERY REQUIREMENTS	
	0-20	21-25	26-30	31-40	41-50	51-60	61-70	71-80	CCA (A)**	RC (MIN)***
CE6K CT2000 CT2003/4/5 DT7K	#4	#4	#2	#2	#1	#0	#0	#00	350	100
ET5500MPB ET5500R ET6KMPB ET6KR ET8K ▲ ET10K ET12K ▲	#2	#2	#1	#0	#00	NOTRECOMMENDED		450	100	
ET8KX ▲ ET10KX ET12KX ▲	#2	#2	#1	#0	#00	NOTRECOMMENDED		550	150	
ET25K ET25KX	SEE DRAWING I24600 FOR CABLE AND BATTERY REQUIREMENTS									

\* INCLUDES GROUND CABLE

\*\* CCA=COLD CRANKING AMPS AT 0' F.  
THE CCA RATING IS A MEASURE OF THE ABILITY OF THE BATTERY TO DELIVER A HIGH CURRENT FOR A SHORT PERIOD OF TIME.

\*\*\* RC=RESERVE CAPACITY IN MINUTES AT 25 AMPS AND 80' F.  
THE RC RATING IS A MEASURE OF THE PERIOD OF TIME THE BATTERY CAN SUPPLY A GIVEN CURRENT WITHOUT RECHARGING.



MFG., INC.  
CINCINNATI, OHIO

TITLE  
**CABLE & BATTERY**

**CE, CT, DT, & ET**

DATE  
**8-2-06S**

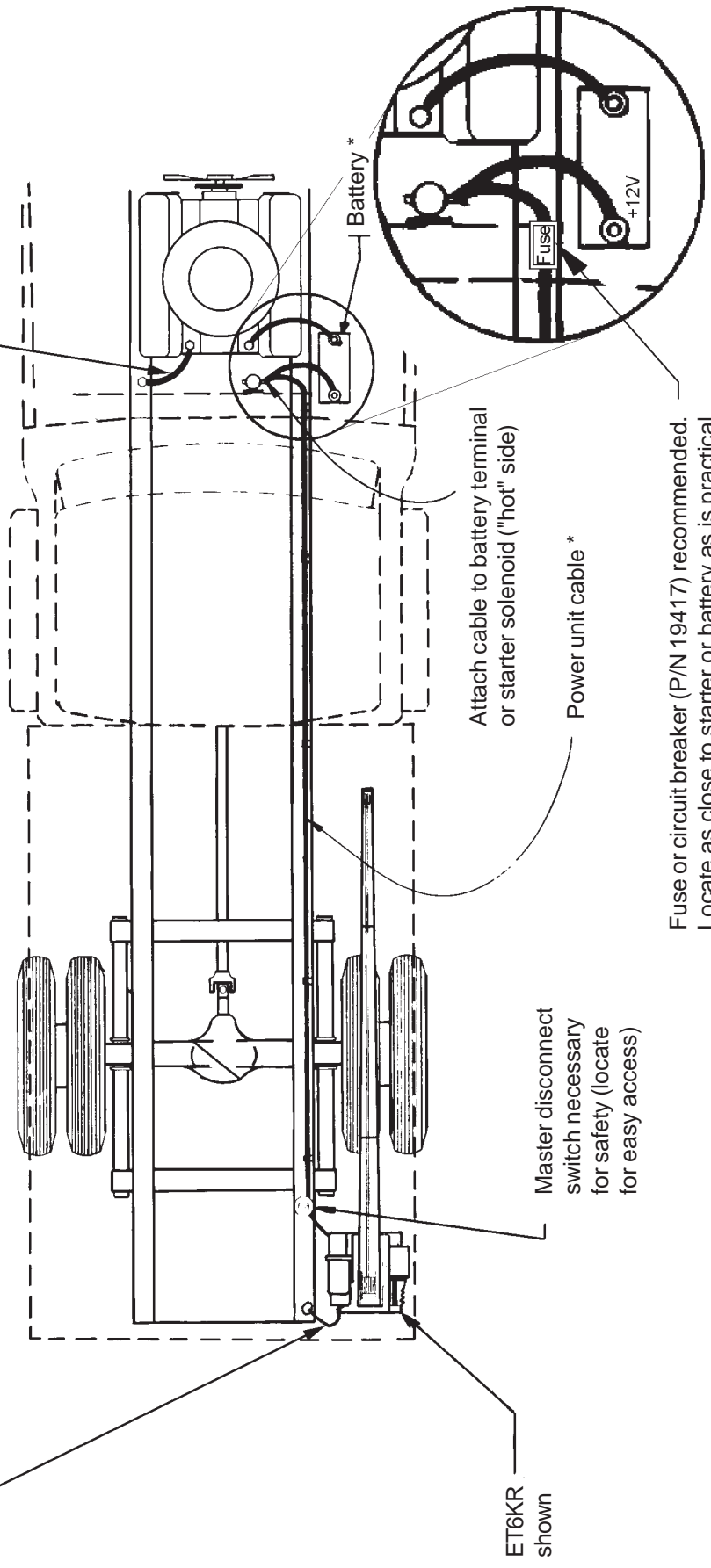
SUPERCEDES  
**8-10-00R**

SECTION  
**C200**

**711105**

Important: The crane must make connection with the negative of the battery. To insure this, install a #2 gauge grounding strap from the engine to the truck frame (required if negative from battery is connected to the engine.) Also, install a #2 gauge grounding strap from the crane base to the truck frame, included with electric cranes. ▲

Failure to accomplish the above mentioned steps may result in intermittent operation of electric crane.



Fuse or circuit breaker (P/N 19417) recommended. Locate as close to starter or battery as is practical.

\* Note: See Dwg 711105 for recommended battery and cable specifications

<b>VENTURO</b> MANUFACTURING, INC. CINCINNATI, OHIO	<b>TITLE</b> INSTALLATION - BATTERY CABLE WINCH & CRANE	<b>DATE</b> 8-2-06F <small>SUPERCEDES</small> 1-15-02E	<b>SECTION</b> C200 <b>15660</b>
---	---	---	--

## SELECTION

The chart below shows the maximum working load and breaking strength of 7 X 19 Galvanized AIRCRAFT Grade Wire Rope in various diameters. The breaking strength is 3-1/2 times the maximum working load. Do not use wire rope with a Maximum Working Load rating less than the single line capacity of the crane. Use of wire rope diameter larger than the size furnished with the crane will reduce the fatigue life of the wire rope.

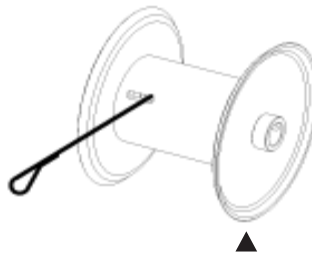
<u>WIRE ROPE DIAMETER</u>	<u>MAXIMUM WORKING LOAD</u>	<u>BREAKING STRENGTH</u>
1/8"	570 lbs	2000 lbs
5/32"	800 lbs	2800 lbs
3/16"	1200 lbs	4200 lbs
7/32"	1600 lbs	5600 lbs
1/4"	2000 lbs	7000 lbs
5/16"	2800 lbs	9800 lbs
3/8"	4114 lbs	14400 lbs

## INSTALLATION

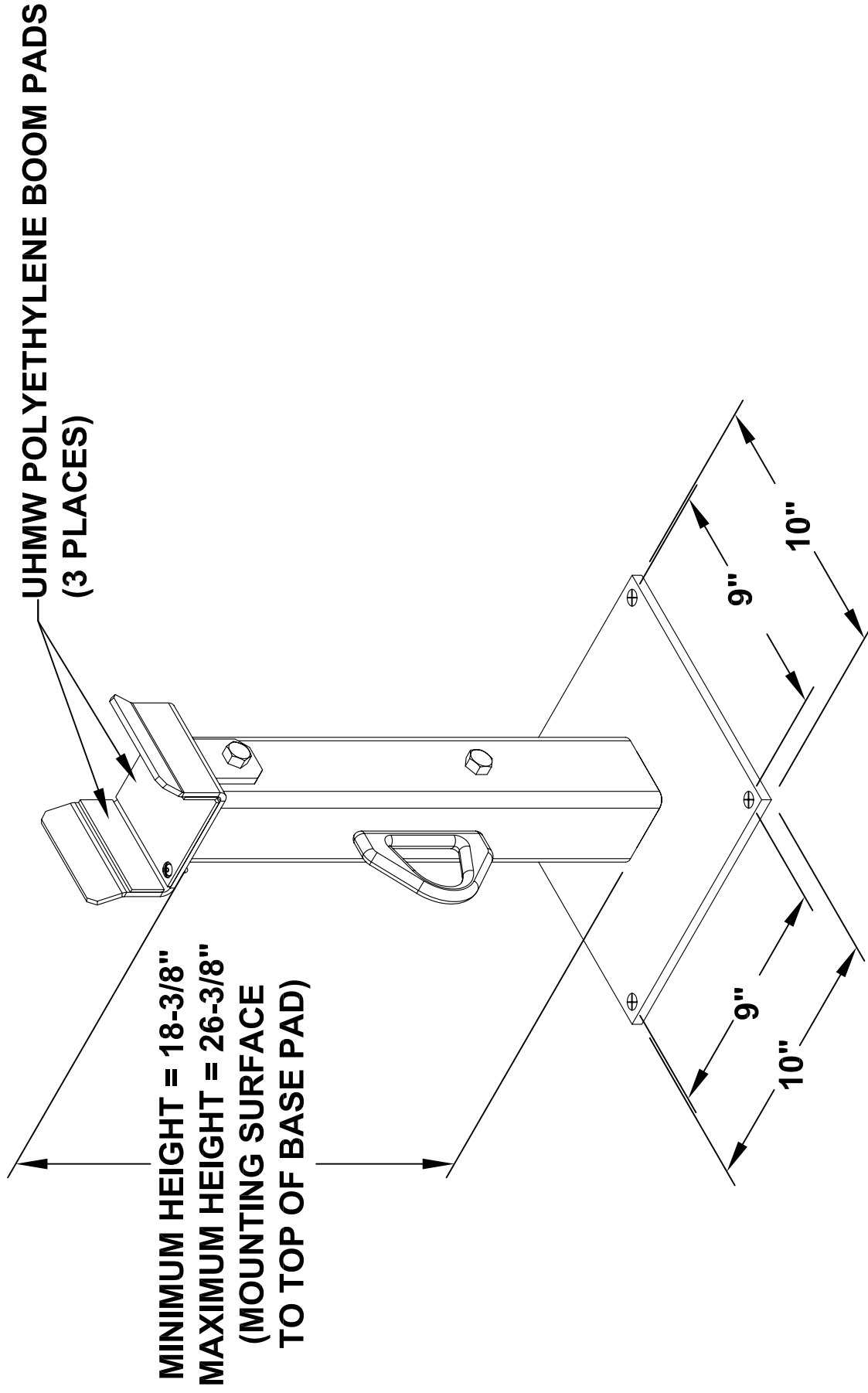
1. Unwind coil of rope by rolling it along floor. This will prevent kinking.
2. Most VENTURO Cranes are provided with a slot in the winch drum side plate for attaching the end of the wire rope with a stop collar. A hole in the housing allows access for the end of the wire rope when inserted thru the slot.

The ET20K(X) & ET25K(X) Cranes have a clamp built into the winch drum and do not use a stop collar.

3. THERE MUST ALWAYS BE AT LEAST (3) TURNS OF WIRE ROPE ON THE DRUM WHEN UNDER LOAD.



# 20075 ADJUSTABLE BOOM REST

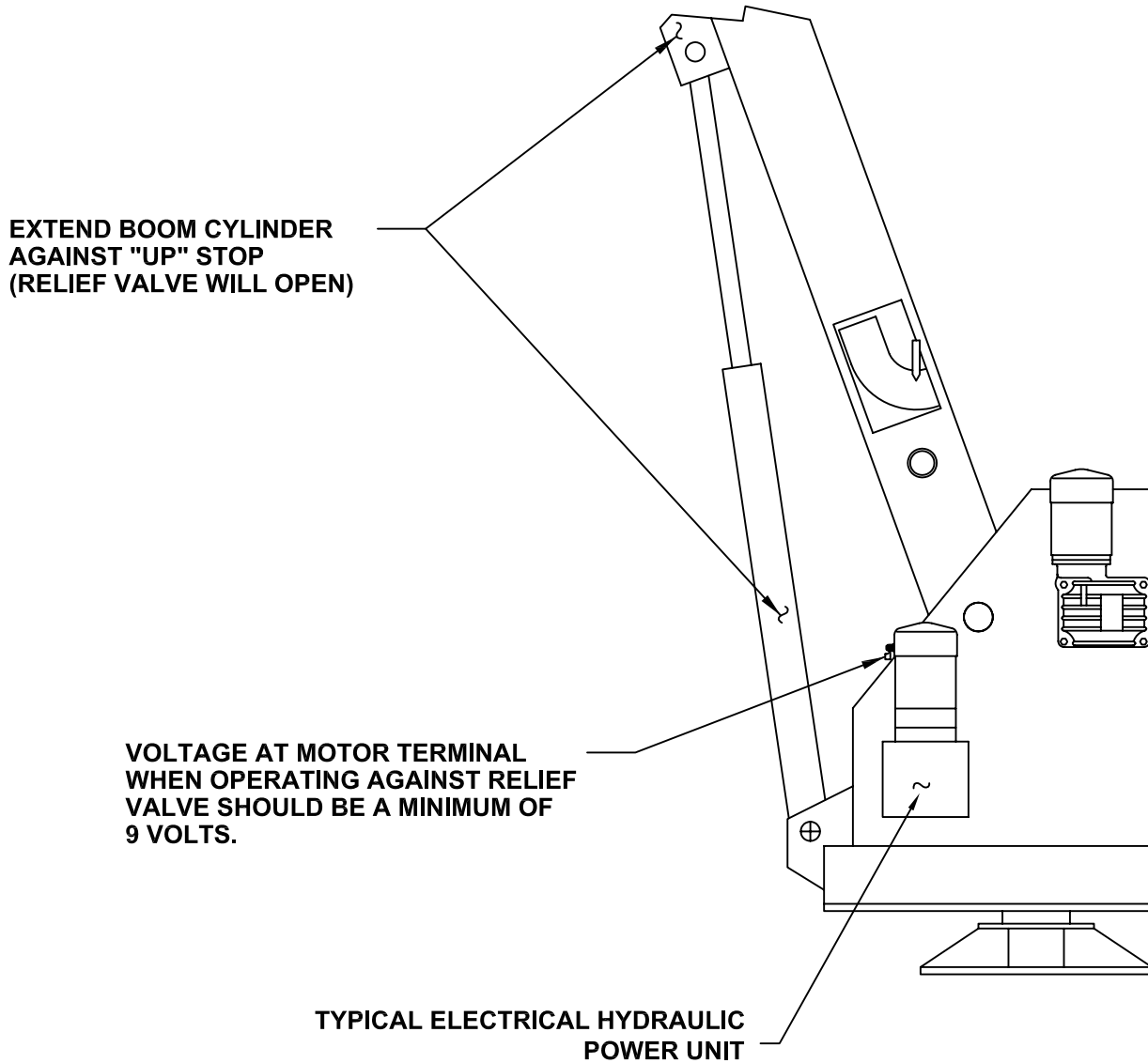


# MINIMUM VOLTAGE TEST

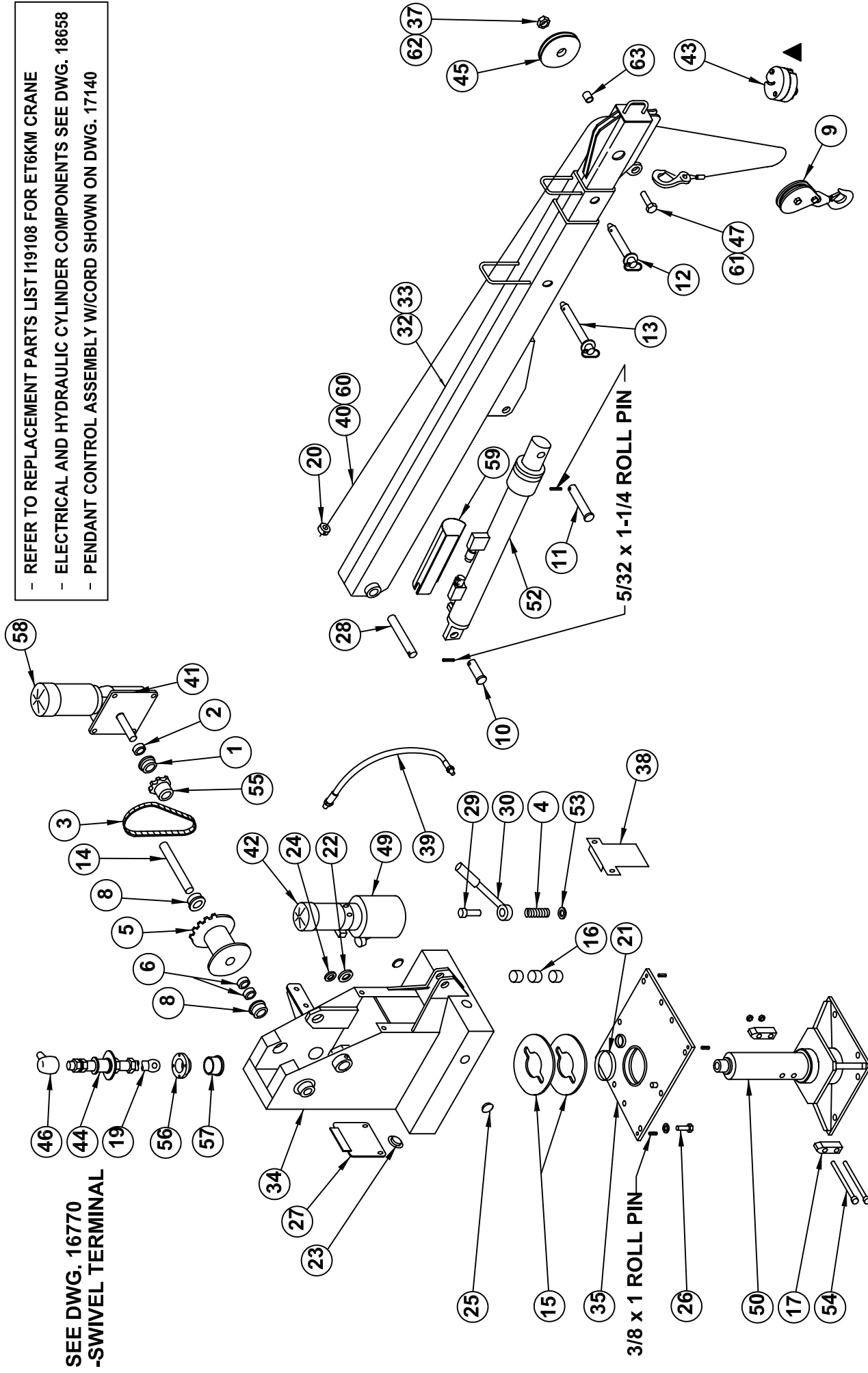
ET5500, ET6K(M/R), ET8100, ET10K(X)

ONE OF THE MOST COMMON ELECTRICAL PROBLEMS ENCOUNTERED ON ELECTRICAL CRANES IS INSUFFICIENT VOLTAGE AT THE MOTOR WHEN DRAWING THE LARGE CURRENT THAT EXISTS AT FULL LOAD


TO ISOLATE THIS PROBLEM PERFORM THE MINIMUM VOLTAGE TEST BELOW:



- REFER TO REPLACEMENT PARTS LIST I19108 FOR ET6KM CRANE
- ELECTRICAL AND HYDRAULIC CYLINDER COMPONENTS SEE DWG. 18658
- PENDANT CONTROL ASSEMBLY W/CORD SHOWN ON DWG. 17140



SEE DWG. 16770  
-SWIVEL TERMINAL

 <b>VENTURO</b> MANUFACTURING, INC. CINCINNATI, OHIO	<b>TITLE</b> <b>REPLACEMENT PARTS</b>		<b>SECTION</b> <b>C400</b>
	<b>ET6KM</b>		<b>DATE</b> <b>10-22-04J</b> <b>SUPERSEDES</b> <b>6-10-04H</b>
<b>I19109</b>			

ITEM #	PART #	DESCRIPTION	ITEM #	PART #	DESCRIPTION
1	20982	FLANGED BEARING - 3/4" BORE x 1-3/4" O.D.	41	16105	WINCH POWER UNIT
2	00210	THRUST COLLAR - 3/4" BORE	42	16143-2	MOTOR COVER - BLACK
3	00867-1	WINCH DRIVE CHAIN (NO CONNECTING LINK) 50 LINKS	43	16735	HEADACHE BALL ASSEMBLY (INCLUDES HARDWARE)
4	11889	SPRING	44	16770	SWIVEL TERMINAL
5	01149	CABLE DRUM	45	20537	POLY CABLE SHEAVE - WITH BUSHING
6	01158	THRUST COLLAR - MAIN SHAFT - 1" BORE	46	17011	BOOT - SWIVEL TERMINAL
7	-	-	47	17059-4	SHEAVE AXLE - 6/14 BOOM
8	01299	FLANGED BEARING - 1" BORE x 2" O.D. - MAIN SHAFT	48	20140	PENDANT CONTROL ASSEMBLY
9	19678	SWIVEL SNATCH BLOCK WITH SAFETY LATCH	49	17252	HYDRAULIC POWER UNIT (W/MOTOR COVER)
10	13401-1	CLEVIS PIN (3/4" O.D. x 2" LONG) - CYLINDER BASE	50	18830	QUILL ASSEMBLY
11	13401-2B	CLEVIS PIN (3/4" O.D. x 3-1/4" LONG) - CYLINDER ROD	51	18542	BOOT - MOTOR TERMINAL
12	19258-3	BOOM PIN ASSY (SHORT LANYARD) - 6/14 & 10/18 BOOMS	52	18671-2	ELEVATION CYLINDER ASSEMBLY
13	19258-2	BOOM PIN ASSEMBLY (LONG LANYARD) - 6/14 BOOM	53	IFWSH-075	FLAT WASHER - 3/4"
14	13407	MAIN SHAFT (1" O.D. x 7-5/16" LONG) - CABLE DRUM	54	13453	HIGH STRENGTH THRU-BOLT WITH HEX NUT
15	13413	BRAKE DISC	55	15999	DRIVE SPROCKET - 3/4" BORE 40B10
16	18834	FRICITION PUCK	56	17372	UPPER BEARING HOUSING
17	13416	KEY DISC BRAKE	57	15681	UPPER BEARING - QUILL
18	-	-	58	16143-1	MOTOR COVER - BLACK
19	13448-24	SWIVEL PIGTAIL	59	19126	COVER - ELEVATION CYLINDER
20	13463-1	STOP SLEEVE	60	-	-
21	20179	BEARING - LOWER BEARING PLATE	61	IHCOS06311150	HEX HEAD CAP SCREW - 5/8"-11 x 1-1/2" - 10/18 BOOM
22	14775	GROMMET (1/2" I.D.) - RUBBER	62	IJNUT-06311N	NYLON LOCK JAMNUT - 5/8"-11 - 10/18 BOOM
23	19274	11/16" DIA PLASTIC PLUG	63	20536	SPACER - 20537 SHEAVE
24	14883	GROMMET (3/8" I.D.) - RUBBER	64	-	-
25	RL-644	INSULATING PLUG - 1" HOLE	65	-	-
26	IHCOS05013150	HEX HEAD CAP SCREW - 1/2"-13 x 1-1/2" GR. 5	66	-	-
27	15676	BACK COVER	67	-	-
28	13406	PIVOT PIN (1-1/4" O.D. x 7" LONG) - BOOM	68	-	-
29	13454	BRAKE BOLT	69	-	-
30	13455	BRAKE HANDLE	70	-	-
31	13546-1-R	6-POLE SOCKET	71	19140-6/14	FIELD SERVICE LABEL KIT - ET6KM - 6 - 14 FT BOOM
32	18680	BOOM ASSEMBLY - 6-10-14 FT.	72	19140-10/18	FIELD SERVICE LABEL KIT - ET6KM - 10 - 18 FT BOOM
33	14861-1	BOOM ASSEMBLY - 10-18 FT.	73	-	-
34	18838	HOUSING ASSEMBLY	74	-	-
35	18803	LOWER BEARING PLATE	75	-	-
36	-	-	76	-	-
37	IJNUT-07510N	NYLON LOCK JAMNUT - 3/4"-10 - 6/14 BOOM	77	-	-
38	18677	FRONT COVER	78	-	-
39	19695	HOSE ASSEMBLY	79	-	-
40	15810-3/16-XX	3/16" DIA WIRE ROPE & EYE HOOK ASSEMBLY	80	-	-

⚠ ITEM NOT SHOWN ON DRAWING I19109

⚠ THESE PARTS ARE A MATCHED SET AND ARE NOT NORMALLY SOLD AS REPLACEMENT PARTS

⚠ HYDRAULIC CYLINDER PARTS SEE DRAWING I18658

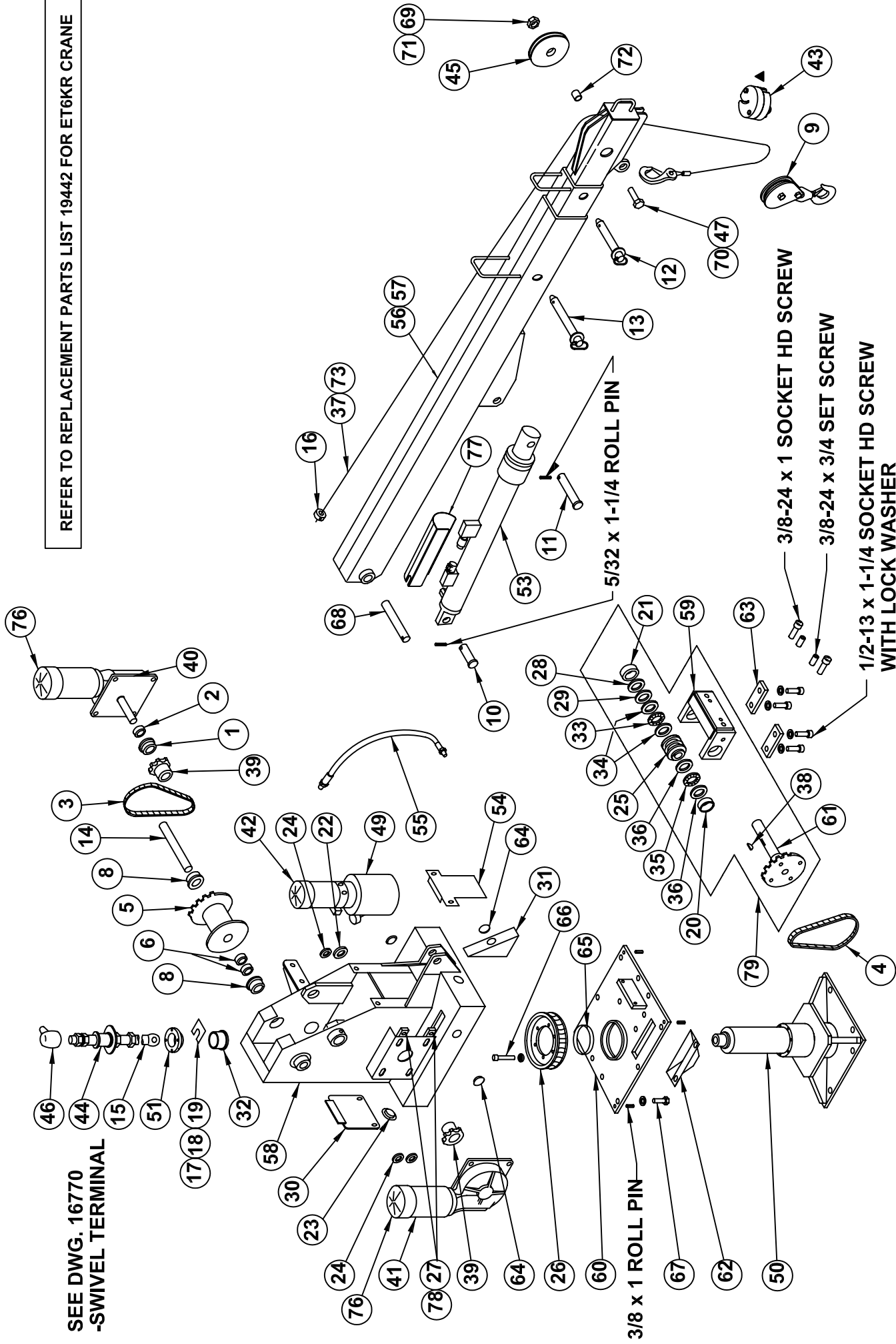
REPLACEMENT PARTS DRAWING REF I19109

<b>TITLE</b> <b>REPLACEMENT PARTS</b> <b>ET6KM</b>	<b>DATE</b> <b>1-5-05C</b>	<b>SECTION</b> <b>C400</b>
	<b>SUPERCEDES</b> <b>10-26-04B</b>	<b>21002</b>



SEE DWG. 16770  
-SWIVEL TERMINAL

REFER TO REPLACEMENT PARTS LIST 19442 FOR ET6KR CRANE



**VENTURO** MANUFACTURING, INC.  
CINCINNATI, OHIO

TITLE  
**REPLACEMENT PARTS**  
ET6KR

DATE  
**10-22-04K**  
SUPERSEDES  
**6-10-04J**

SECTION  
**C400**

**19443**



ITEM #	PART #	DESCRIPTION	ITEM #	PART #	DESCRIPTION
1	20982	FLANGED BEARING - 3/4" BORE x 1-3/4" O.D.	41	16107	ROTATION POWER UNIT
2	00210	THRUST COLLAR - 3/4" BORE	42	16143-2	MOTOR COVER - BLACK
3	00867-1	WINCH DRIVE CHAIN (NO CONNECTING LINK) 50 LINKS	43	16735	HEADACHE BALL ASSEMBLY (INCLUDES HARDWARE)
4	00867-3	ROTATION DRIVE CHAIN (NO CONNECTING LINK) 56 LINKS	44	16770	SWIVEL TERMINAL
5	01149	CABLE DRUM	45	20537	POLY CABLE SHEAVE - WITH BUSHING
6	01158	THRUST COLLAR - MAIN SHAFT - 1" BORE	46	17011	BOOT - SWIVEL TERMINAL
7	-	-	47	17059-4	SHEAVE AXLE - 6/14 BOOM
8	01299	FLANGED BEARING - 1" BORE x 2" O.D. - MAIN SHAFT	48	19790	PENDANT CONTROL ASSEMBLY
9	19678	SWIVEL SNATCH BLOCK WITH SAFETY LATCH	49	17252	HYDRAULIC POWER UNIT (W/MOTOR COVER)
10	13401-1	CLEVIS PIN (3/4" O.D. x 2" LONG) - CYLINDER BASE	50	17295	QUILL ASSEMBLY
11	13401-2B	CLEVIS PIN (3/4" O.D. x 3-1/4" LONG) - CYLINDER ROD	51	17372	BEARING HOUSING
12	19258-3	BOOM PIN ASSEMBLY (SHORT LANYARD)	52	18542	BOOT - MOTOR TERMINAL
13	19258-2	BOOM PIN ASSEMBLY (LONG LANYARD)	53	18671-2	ELEVATION CYLINDER ASSEMBLY
14	13407	MAIN SHAFT (1" O.D. x 7-5/16" LONG) - CABLE DRUM	54	18677	FRONT COVER
15	13448-11	SWIVEL PIGTAIL	55	19695	HOSE ASSEMBLY
16	13463-1	STOP SLEEVE	56	18680	BOOM ASSEMBLY - 6-10-14 FT.
17	14159-2	SHIM - 1-1/2" SQ. x .016" THK	57	14861-1	BOOM ASSEMBLY - 10-18 FT.
18	14159-3	SHIM - 1-1/2" SQ. x .042" THK	58	18820	HOUSING ASSEMBLY
19	14159-4	SHIM - 1-1/2" SQ. x .105" THK	59	18846	WORM HOUSING ASSEMBLY (DOES NOT INCL. BUSHINGS)
20	14341-3	BEARING (1-1/2" I.D.) - WORM SHAFT	60	18856	LOWER BEARING PLATE
21	14341-5	BEARING (1-1/4" I.D.) - WORM SHAFT	61	18860	SPROCKET AND SHAFT ASSEMBLY
22	14775	GROMMET (1/2" I.D.) - RUBBER	62	18866	CHAIN COVER - BEARING PLATE
23	14858-1	SNAP IN PLUG - 7/8" DIA.	63	18875	WASHER PLATE
24	14883	GROMMET (3/8" I.D.) - RUBBER	64	RL-644	INSULATING PLUG - 1" HOLE
25	15650	WORM	65	20189	BEARING - LOWER BEARING PLATE
26	15651	BULL GEAR	66	18873	3/8" SOCKET HEAD CAP SCREW - MODIFIED
27	15664	NUIT BAR - ROTATION POWER UNIT	67	IHHCS05013150	1/2" - 13 x 1-1/2" HEX HEAD CAP SCREW GR. 5
28	15675-1	SHIM WASHER - 1-1/4" I.D. x .005" THK	68	13406	PIVOT PIN (1-1/4" O.D. x 7" LONG) - BOOM
29	15675-2	SHIM WASHER - 1-1/4" I.D. x .010" THK	69	IJNUT-07510N	NYLON LOCK JAMNUT - 3/4" - 10 - 6/14 BOOM
30	15676	BACK COVER	70	IHHCS06311150	HEX HEAD CAP SCREW - 5/8" - 11 x 1-1/2" - 10/18 BOOM
31	19520	COVER - ROTATION CHAIN	71	IJNUT-06311N	NYLON LOCK JAMNUT - 5/8" - 11 - 10/18 BOOM
32	15681	UPPER BEARING - QUILL	72	20536	SPACER - 20537 SHEAVE
33	15696	NEEDLE THRUST BEARING	73	-	-
34	15697	THRUST RACE - ROTATION WORM	74	19141-6/14	FIELD SERVICE LABEL KIT - ET6KR - 6/14 BOOM
35	15698	NEEDLE THRUST BEARING	75	19141-10/18	FIELD SERVICE LABEL KIT - ET6KR - 10/18 BOOM
36	15699	THRUST RACE - ROTATION WORM	76	16143-1	MOTOR COVER - BLACK
37	15810-3/16-XX	3/16" DIA WIRE ROPE & EYE HOOK ASSEMBLY	77	19126	COVER - ELEVATION CYLINDER
38	15929	WOODRUFF KEY - 1/4" x 1-1/4"	78	20083	NUIT BAR - ROTATION POWER UNIT - GROUNDING
39	15999	DRIVE SPROCKET - 3/4" BORE 40B10	79	18844-FULLASSY	WORM HOUSING ASSY (INCL. INDICATED ITEMS PRE-ASSEMBLED)
40	16105	WINCH POWER UNIT	80	-	-

△ ITEMS ONLY AVAILABLE AS PART OF 15828 SMALL PARTS KIT

△ THESE PARTS ARE A MATCHED SET AND ARE NOT NORMALLY SOLD AS REPLACEMENT PARTS

△ HYDRAULIC CYLINDER PARTS SEE DRAWING 18668

△ ITEM NOT SHOWN ON DRAWING 19443

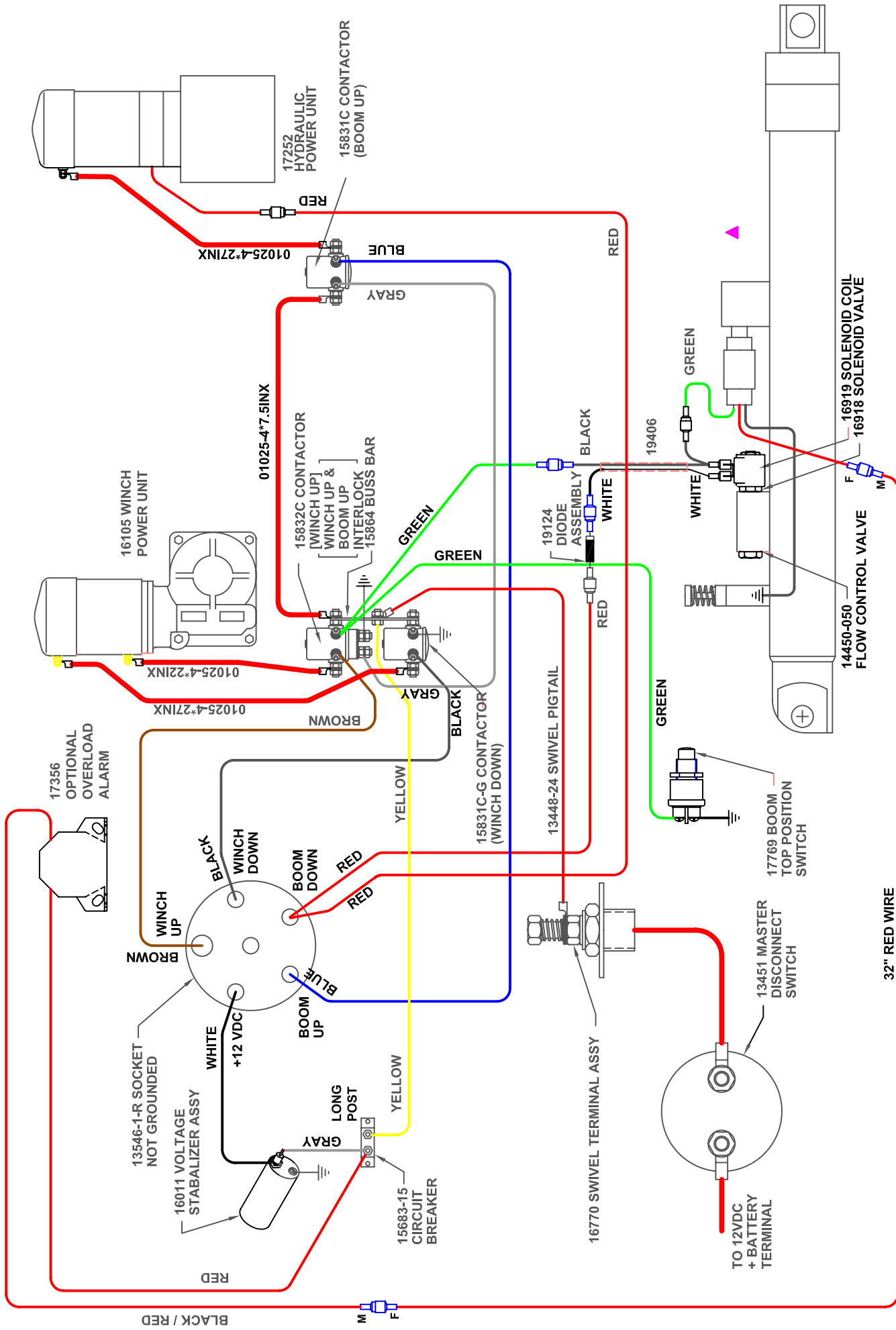
REPLACEMENT PARTS DRAWING REF 19443

 <b>VENTURO</b> MANUFACTURING, INC. CINCINNATI, OHIO	<b>TITLE</b> REPLACEMENT PARTS	<b>DATE</b> 1-10-05D	<b>SECTION</b> C400
	<b>ET6KR</b>	<b>SUPERCEDES</b> 1-7-05C	<b>21003</b>

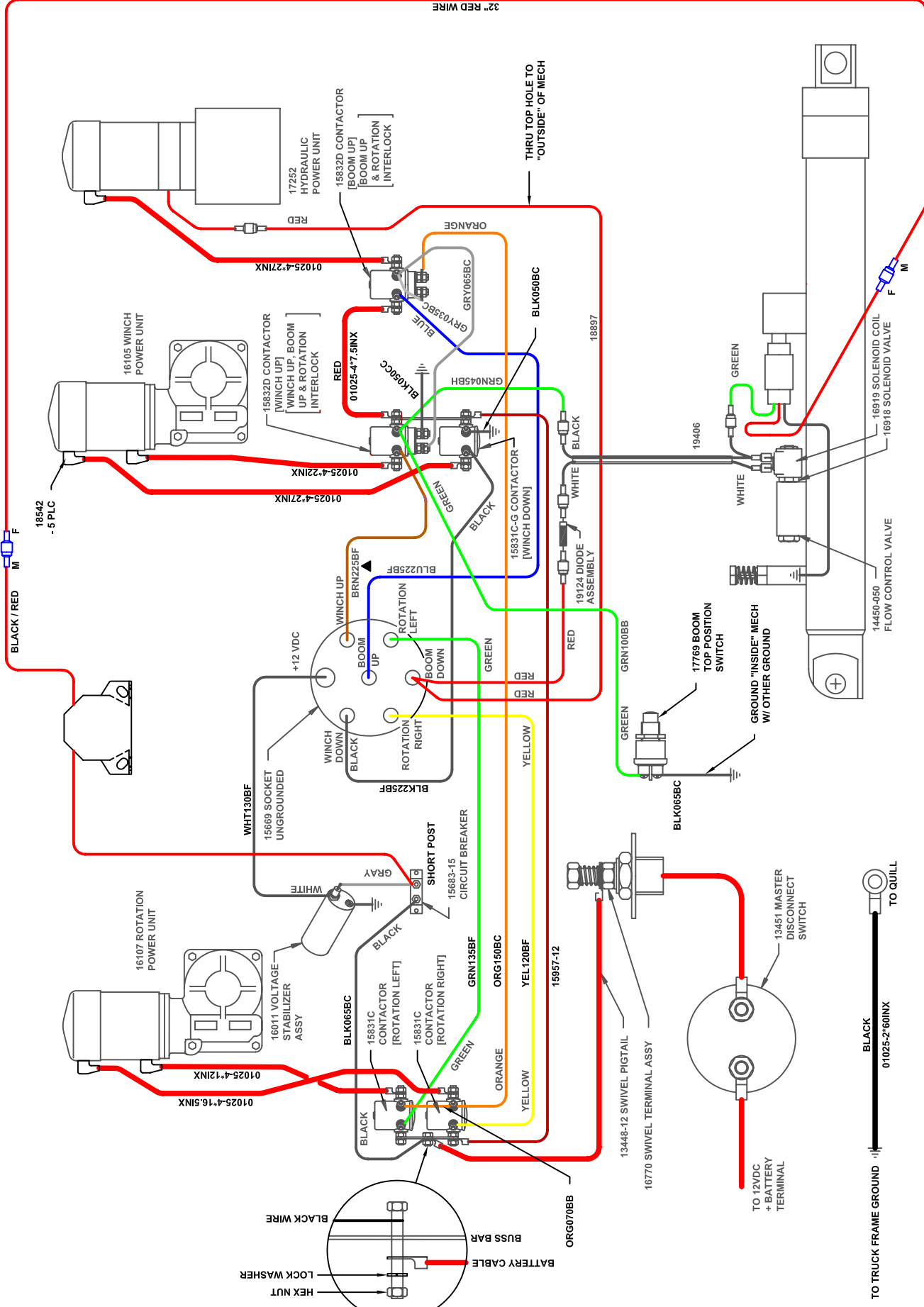
NOTE: PRESSURE SWITCH TO BE CONFIGURED  
PER 17460-1700-15

QTY	DESCRIPTION	PART NO.	ITEM	QTY	DESCRIPTION		
24	2	20951-3	HANGER CABLE	11	1	19302	SET COLLAR
23	1	IHHCS02520150	HEX HEAD CAP SCREW - 1/4-20 x 1 1/2"	10	4	ILWSH-031	LOCK WASHER - 5/16"
22	1	19704	WIRE HARNESS	9	4	IHHCS03118050-5	HEX HEAD CAP SCREW - 5/16-18 x 1/2"
21	2	19269	CABLE CLAMP - 1/4"	8	1	19275	CABLE CLAMP - 3/4" x 13/32" HOLE
20	1	ILWSH-025	LOCK WASHER - 1/4"	7	2	19270	SNAP BUSHING - 3/8" I.D.
19	1	IHHCS02520050	HEX HEAD CAP SCREW - 1/4"-20 x 1/2"	6	1	19063	SNAP BUSHING - 1/2" I.D.
18	2	IHNUT-02520	HEX NUT - 1/4-20	5	1	19058	COVER - CORD REEL
17	1	IHHCS02520100-5	HEX HEAD CAP SCREW - 1/4-20 x 1" GR. 5	4	1	19855	SWITCH BRACKET
16	3	IHHCS02520175	HEX HEAD CAP SCREW - 1/4-20 x 1 3/4"	3	1	19377-3	CABLE WEIGHT ASSY
15	2	ILWSH-#06	LOCK WASHER - #6	2	1	22388-1	CORD REEL ASSY
14	2	IFWSH-#06	FLAT WASHER - #6	1	1	19376	LIMIT SWITCH
13	2	IHNUT-#0632	HEX NUT - #6-32				
12	2	IPHMS#632100	PAN HEAD MACHINE SCREW - #6-32 x 1"				

 <b>VENTURO</b> MANUFACTURING, INC. GINGINNATI, OHIO	TITLE <b>REPLACEMENT PARTS DWG</b>		DATE <b>12-18-02C</b>	SECTION <b>C400</b>
	<b>19197-4 ANTI-TWO-BLOCK SYSTEM</b>		SUPERSEDES <b>8-26-02B</b>	<b>20197-4</b>



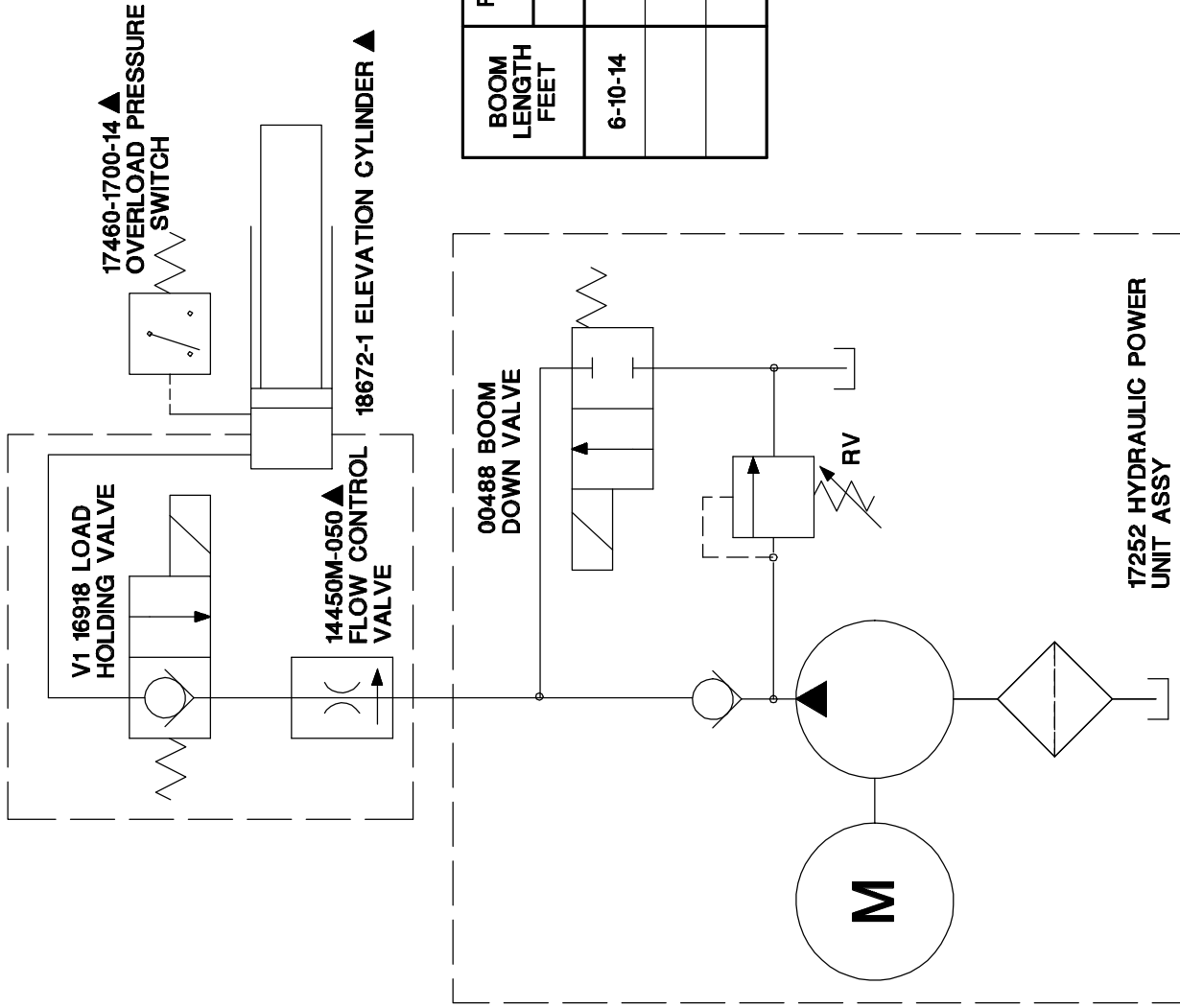
<b>VENTURO</b> MANUFACTURING, INC. CINCINNATI, OHIO	TITLE	<b>PARTS LIST &amp; WIRING DIAGRAM</b>	
	SECTION	DATE	SUPERSEDES
	C400	1-7-05J	8-25-04H
	ET6KM CRANE		18658



NOTE: ALL 16 GAUGE WIRES ARE P/N 22254

	TITLE	SECTION	DATE	SECTION
	<b>WIRING DIAGRAM</b>	<b>C400</b>	<b>6-8-05J</b>	<b>C400</b>
<b>ET6KR CRANE</b>			<b>1-7-05H</b>	<b>118668</b>
<b>VENTURO</b> MANUFACTURING, INC. CINCINNATI, OHIO				





BOOM LENGTH FEET	PRESSURE SETTINGS PSI	
	RV	PS
6-10-14	2100 ▲	1700 ▲

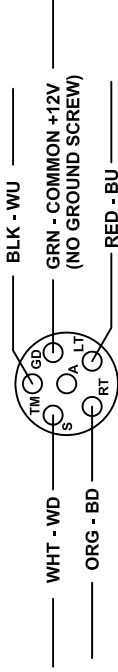
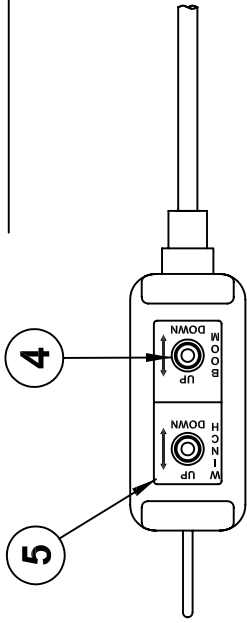
**VENTURO** MANUFACTURING, INC.  
CINCINNATI, OHIO

TITLE: HYDRAULIC SYSTEM DIAGRAM  
ET6KM/R

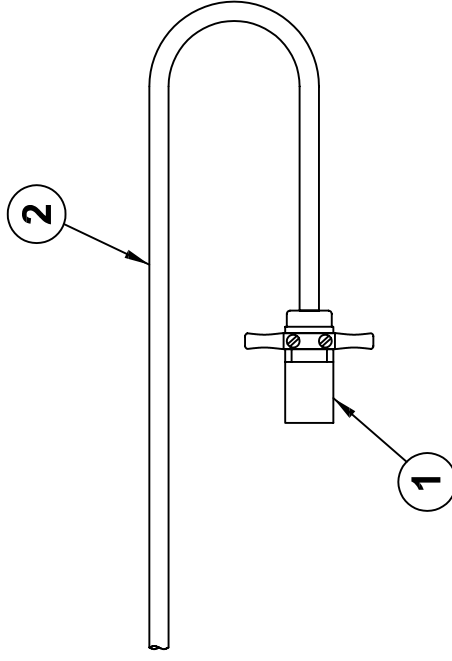
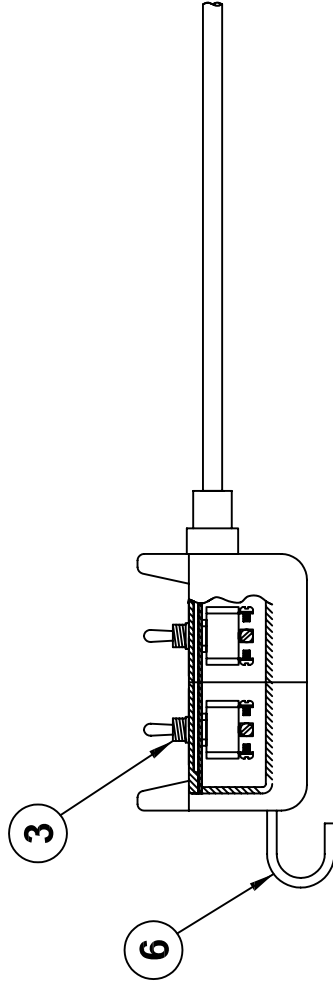
DATE: 10-2-97D  
SUPERSEDES: 9-27-96C

SECTION: C400  
18667

# ▲ 20140 2-SWITCH PENDANT



**PLUG - BACKSIDE VIEW**



GREEN WIRE  
GROUND

WHITE WIRE  
WINCH DOWN

BLACK WIRE  
WINCH UP

RED WIRE  
BOOM UP

ORANGE WIRE  
BOOM DOWN

FOR OLDER MODELS (PRIOR TO ET6KM)  
REQUIRING A COMMON GROUND, THE  
GROUND SCREW MUST BE USED

ITEM	QTY	PART NO.	DESCRIPTION
6	1	11557	PENDANT HOOK
5	1	13557	DECAL
4	3	19793	TOGGLE BOOT
3	3	13763	TOGGLE SWITCH
2	1	17141-xx	CORD ASSY (xx = LENGTH IN FT.)
1	1	13546-2	PLUG - 6 POLE

TITLE  
**REPL. PARTS DWG.**

**2 FUNCTION CRANES**

DATE  
**1-17-05B**

SUPERSEDES  
**4-5-00A**

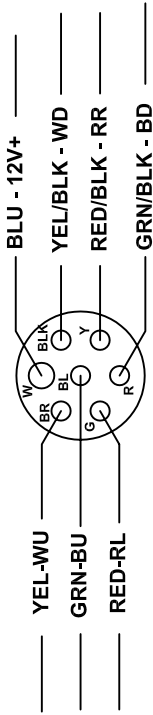
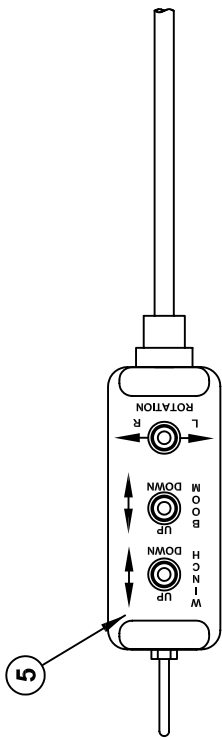
SECTION  
**C400**

**20141**

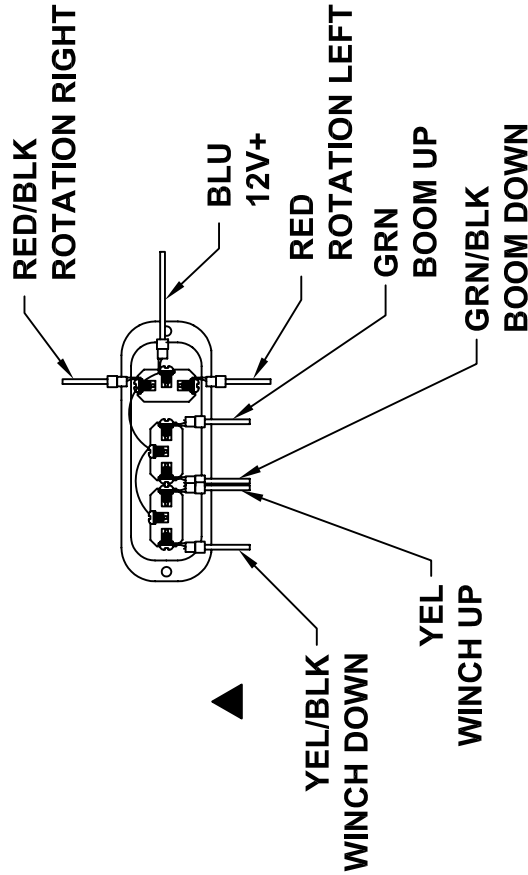
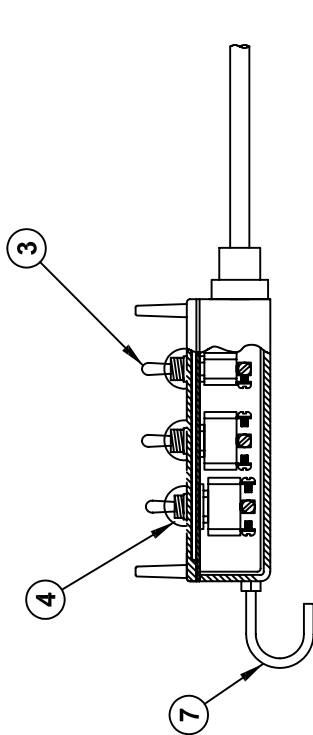
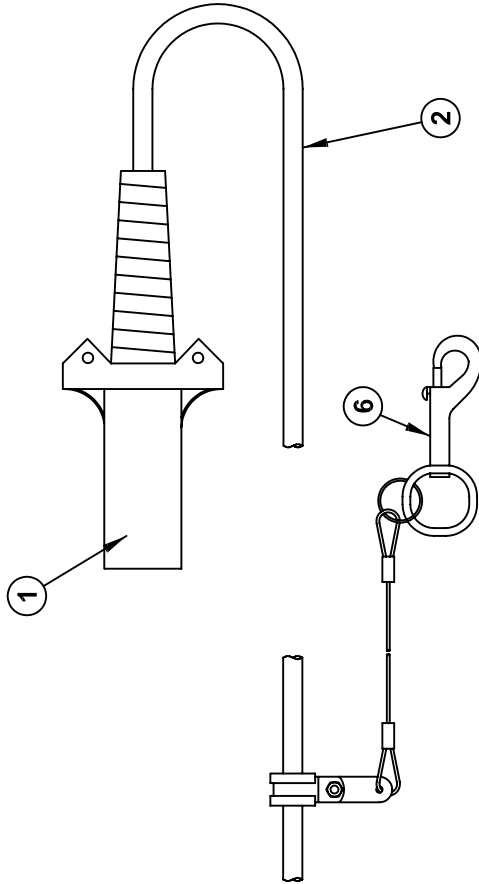


MANUFACTURING, INC.  
CINCINNATI, OHIO

# 19790 3-SWITCH PENDANT



PLUG - BACKSIDE VIEW



ITEM	QTY	PART NO.	DESCRIPTION
7	1	11557	PENDANT HOOK
6	1	15913-2	PHAN, CLAMP AND TETHER ASSY
5	1	25538	DECAL
4	3	19793	TOGGLE BOOT
3	3	13763	TOGGLE SWITCH
2	1	17151-xx	CORD ASSY (xx = LENGTH IN FT.)
1	1	24348	PLUG - 7 POLE

TITLE	DATE	SECTION
REPL. PARTS DWG.	1-17-05C	C400
3 FUNCTION CRANES	SUPERSEDES 10-18-01B	19791



# 16770 SWIVEL TERMINAL ASSY

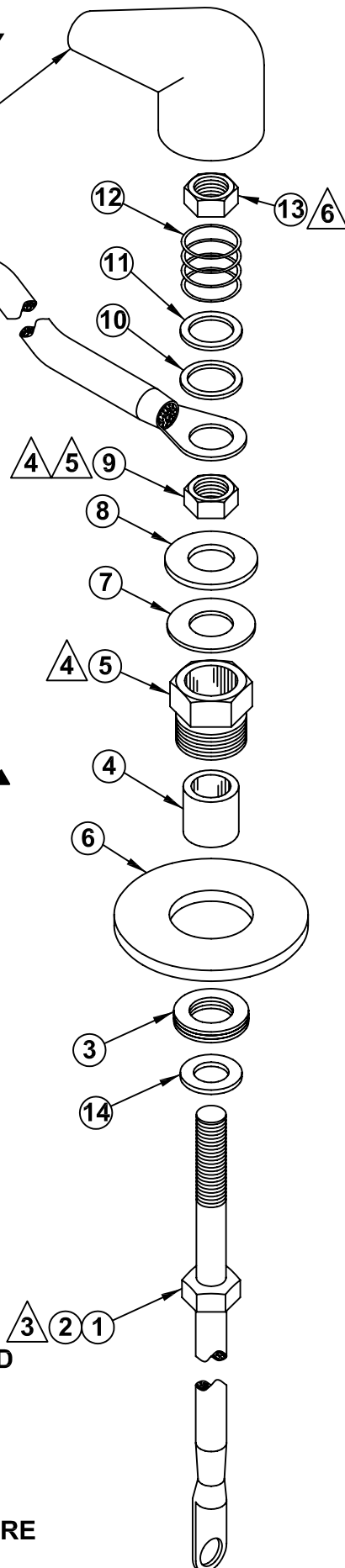
15666  

13450-13.5 



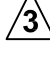

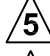
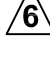
17011 RUBBER BOOT - REF

13448-XX SWIVEL PIGTAIL  
(NO INCLUDED WITH 16770)

ITEM	QTY	PART NO.	DESCRIPTION
1	1	15653-60	PIGTAIL & STUD ASSY
2	1	13447-13.5	PIGTAIL & STUD ASSY
*3	3	16771-1	FIBER WASHER 1/2" I.D. x 15/16" O.D. x 1/16" THK
*4	1	13410	INSULATING BUSHING
5	1	13467	3/4" INVERTED FLARE NUT - MODIFIED
6	1	!FWSH-100SAE	FLAT WASHER 1 1/8" I.D. x 2 1/8" O.D. x 1/8" THK
*7	1	16771-2	FIBER WASHER 1/2" I.D. x 1 1/4" O.D. x 1/16" THK
*8	1	16770*7	BRASS WASHER 1/2" I.D. x 1 1/4" O.D. x 5/64" THK
*9	1	19800 ▲	BRASS JAM NUT - 1/2"-13NC - MODIFIED ▲
*10	1	16770*11	TEFLON WASHER 1/2" I.D. x 3/4" O.D. x 1/32" THK
*11	1	16770*10	BRASS WASHER 1/2" I.D. x 11/16" O.D. x 1/32" THK
*12	1	LC-063HJ-1	SPRING .66" O.D. x .63" W x 5/8" F.L.
*13	1	!JNUT-05013N	NYLON INSERT-JAMNUT - 1/2"-13
*14	1	12534-4	MACHINERY BUSHING 1/2" I.D. x 7/8" O.D. x 14 GA THK
*15	1	LOCTITE-24205	LOCTITE CAPSULE GRADE 242 BLUE
*16	1	16770	REPL. PARTS DWG (THIS PAGE)



\* ITEMS ARE ONLY AVAILABLE IN A 16772 SERVICE PARTS KIT

-  16772 SERVICE PARTS KIT CONVERTS 15666 TO 16770
-  16770 REPLACES & IS INTERCHANGEABLE WITH 15666
-  13447-13.5 PIGTAIL STUD ASSY REQ'D WITH 13450-13.5 ASSY USED ON EARLY MODEL ET5500M/(PB) CRANES
-  SECURE WITH LOCTITE 242 BLUE
-  TORQUE TO 30 FT-LBS, THEN TIGHTEN SET SCREW. ▲
-  TIGHTEN UNTIL ONE THREAD IS VISIBLE ABOVE THE NUT & ENSURE THAT SPRING IS NOT FULLY COMPRESSED



MFG., INC.  
CINCINNATI, OHIO

TITLE  
**REPLACEMENT PARTS**

ET5500, ET6KM/R,  
ET8100, ET10K(X)

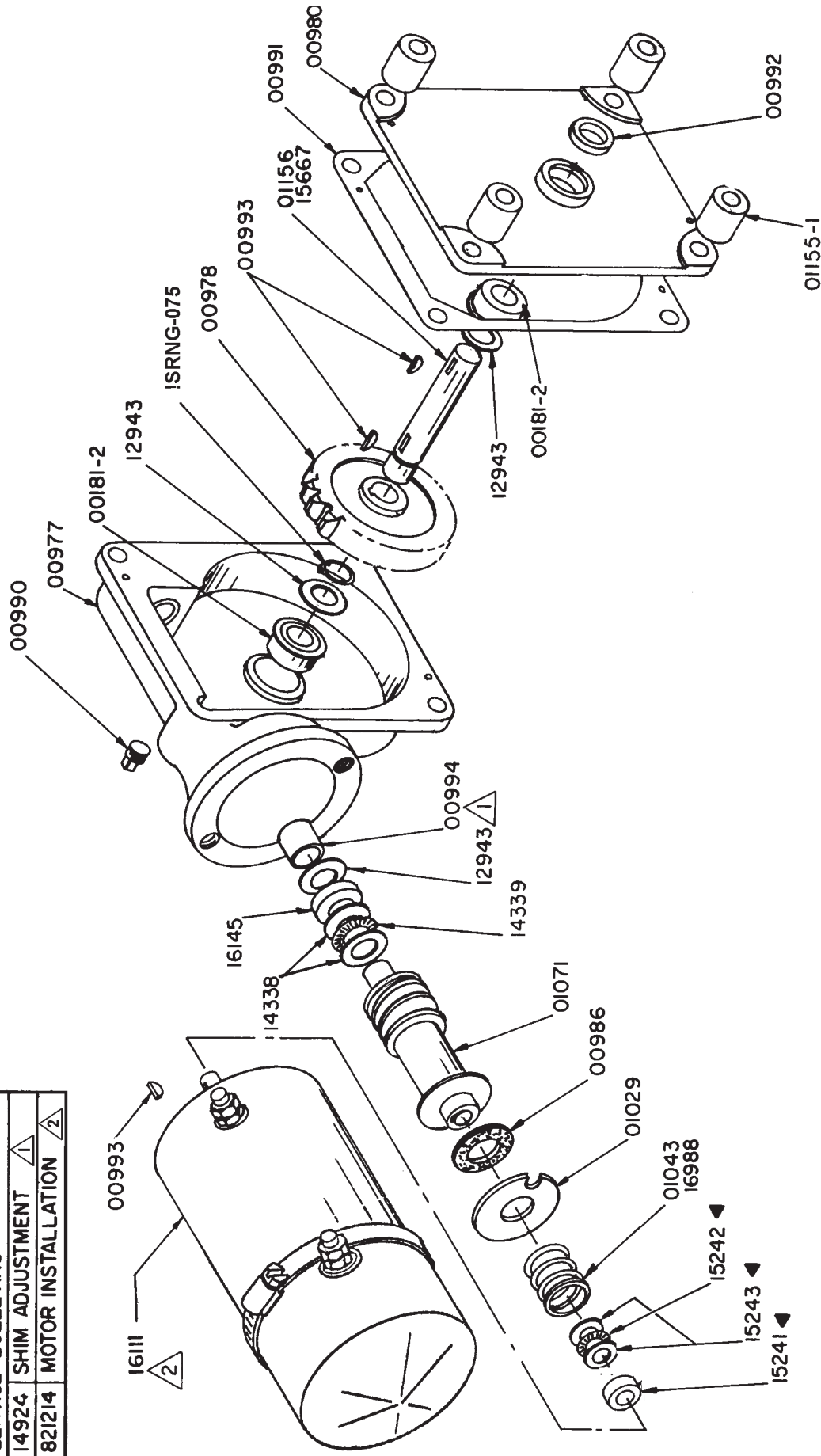
DATE  
1-14-05G

SUPERSEDES  
2-21-02F

SECTION  
**C455**

**16770**

SERVICE BULLETINS	
14924	SHIM ADJUSTMENT $\Delta$ 1
821214	MOTOR INSTALLATION $\Delta$ 2



SEE DWG. 14924/14926 FOR SERVICE INSTRUCTION

16100 SERIES POWER UNITS

**VENTURO**  
MANUFACTURING, INC.  
CINCINNATI, OHIO

TITLE  
**REPLACEMENT PARTS**  
**WINCH & CRANE**

DATE  
**5-9-06F**  
SUPERCEDES  
**4-14-04E**

SECTION  
**C450**  
**I16100**

# REPLACEMENT PARTS LIST - 16100 ELECTRIC POWER UNIT

MODEL(S): ET5500MPB, ET6KM, ET6KR

PART NO.	DESCRIPTION
16101 16102 16105 16105-1 16106 16107	POWER UNIT - LONG SHAFT - ET5500R WINCH <sup>2</sup> POWER UNIT - SHORT SHAFT - ET5500R ROTATION POWER UNIT - LONG SHAFT - CA 2000, CT 2003, WA/SL 3000 (WITH SPACERS) POWER UNIT - LONG SHAFT - CA 2000, CT 2003/4/5(FB), WA/SL 3000 (WITHOUT SPACERS) POWER UNIT - LONG SHAFT <sup>3</sup> POWER UNIT - SHORT SHAFT - ET5500R ROTATION
00181-2 00977 00978 00980 * 00986	FLANGE BEARING - 3/4" BORE x 1 3/4" O.D. GEAR CASE (INCLUDES 00994 BUSHING) WORM GEAR BASE PLATE (00980-1) & INSERT (00980-2) ASSEMBLY BRAKE DISC
* ISRNG-075 00990 * 00991 * 00992 <sup>4</sup> * 00993	RETAINING RING - 3/4" OIL PLUG - 1/4" PIPE GASKET OIL SEAL KEY - #9 WOODRUFF
00994 01029 01043 <sup>4</sup> 01071 01155-1	BUSHING BRAKE PLATE BRAKE SPRING (16102 & 16107 ROTATION POWER UNIT ONLY) WORM SHAFT SPACER (16105 ONLY)
01156 * 12943-1 <sup>4</sup> * 12943-2 <sup>4</sup> * 12943-3 <sup>4</sup> 14338	WORM GEAR SHAFT - 3/4" x 5 3/16" LONG (16105 & 16106 ONLY) SHIM WASHER - .005" THICK (AS REQUIRED) SHIM WASHER - .015" THICK (AS REQUIRED) SHIM WASHER - .030" THICK (AS REQUIRED) NEEDLE THRUST RACE 3/4" I.D.
14339 15241 15242 15243 15667	NEEDLE THRUST BEARING 3/4" I.D. SPACER (INSTALL NEXT TO MOTOR) <sup>4</sup> NEEDLE THRUST BEARING 5/8" I.D. NEEDLE THRUST RACE .092" x 5/8" I.D. WORM GEAR SHAFT - 3/4" x 4 3/16" LONG (16102 & 16107 ONLY)
16111 <sup>4</sup> 16145 16988 <sup>4</sup>	MOTOR - 12 VOLT 4 1/2" DIAMETER SPACER BRAKE SPRING (16101, 16105 & 16106 WINCH POWER UNITS ONLY)
14889 15290	MOTOR REPAIR KIT SMALL PARTS KIT (INCLUDES ITEMS MARKED *)

<sup>1</sup> AVAILABLE ONLY AS PART OF 15290 SMALL PARTS KIT

<sup>2</sup> 16101 POWER UNIT REPLACED BY 16106 POWER UNIT  
16102 POWER UNIT REPLACED BY 16107 POWER UNIT

<sup>3</sup> REPLACE 30E & 16100 POWER UNITS AS FOLLOWS:  
16105 REPLACES 11497  
16106 REPLACES 11497NS & 16101  
16107 REPLACES 16102

<sup>4</sup> 16111 MOTOR REPLACES 01024 E & F & 16112 MOTORS  
ON ALL 30E & 16100 SERIES POWER UNITS

<sup>5</sup> 16988 BRAKE SPRING REPLACES 01043 BRAKE SPRING ON  
16101, 16105 & 16106 WINCH POWER UNITS ONLY



MFG., INC.  
CINCINNATI, OHIO

TITLE  
**REPL. PARTS LIST**

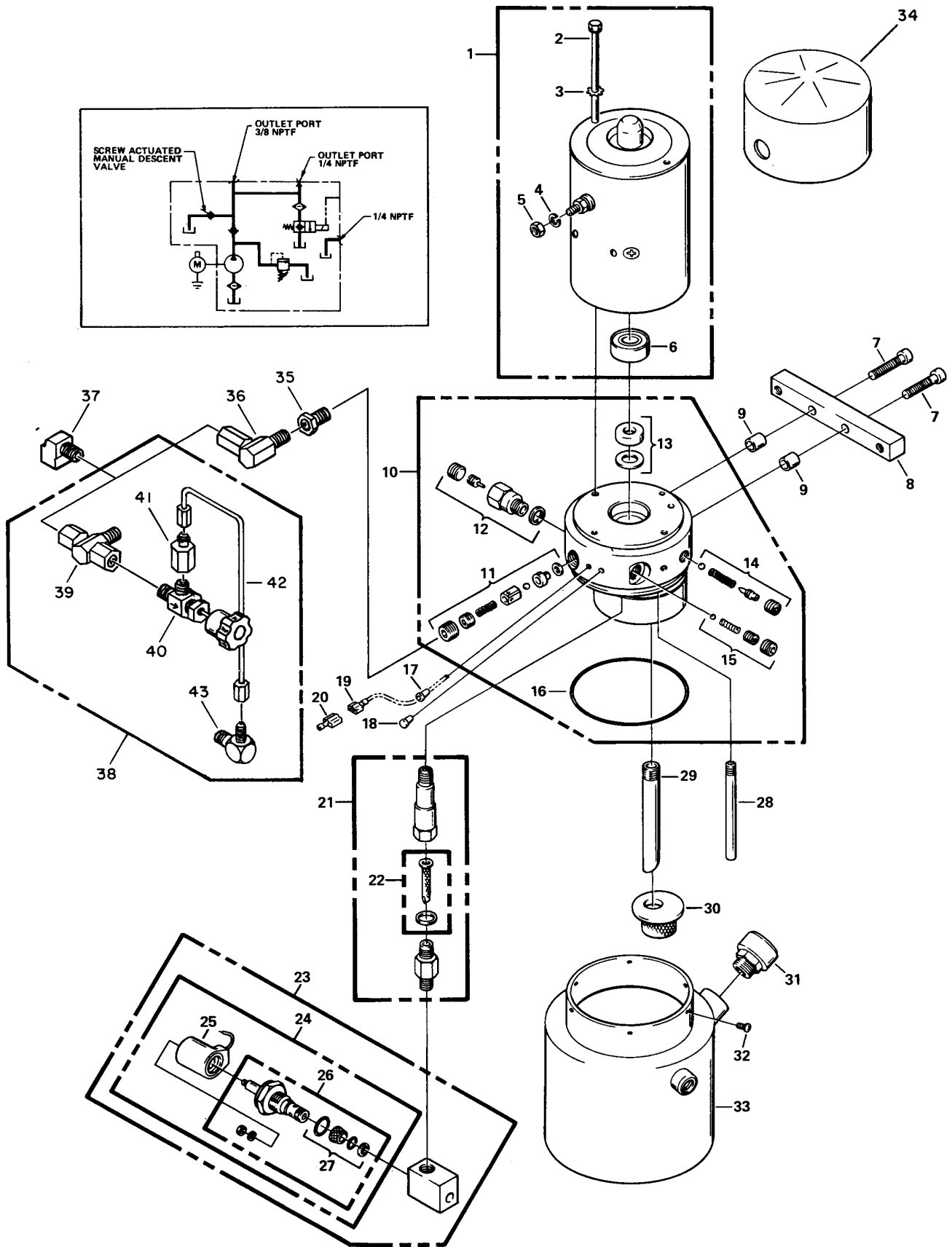
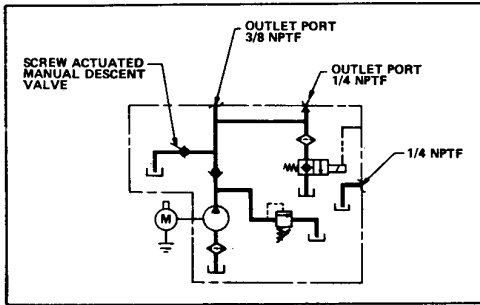
**16100 ELECTRIC PU**

DATE  
**6-13-07G**

SUPERCEDES  
**12-6-04F**

SECTION  
**C400**

**811016**



**VENTURO**

MFG., INC.  
CINCINNATI, OHIO

TITLE  
REPL. PARTS DWG.

17252/17253 HYD PU

DATE  
6/17/98

SUPERCEDES  
-

SECTION  
C400

19518

# REPLACEMENT PARTS LIST - 17252/17253 HYDRAULIC POWER UNIT

MODEL(S): ET5500MPB, ET5500R, ET6KM, ET6KR, H20E

ITEM	PARTNUMBER	DESCRIPTION
1	16940	MOTOR, ELECTRIC, 12VDC
2	07738	SCREW, HEX HEAD CAP 1/4-20 X 6-1/2"
3	07737	WASHER, STAR 1/4"
4	07781	WASHER, LOCK 5/16"
5	07625	NUT, HEX 5/16-24
6	02318	BEARING, BASE, MOTOR
7	07879	SCREW, SOCKET HEAD CAP, 5/16-18 X 1-1/2"
8	04382	BRACKET, PLATE MOUNT
9	01335	BUSHING, PUMP MOUNTED, PLATE MOUNT
10	02965	PUMP ASSEMBLY, GEAR CODE 62
11	03624	PARTS KIT, VALVE ASSEMBLY, POPPET/BALL CHECK
12	00076	PARTS KIT, MANUAL OVERRIDE
13	02970	PARTS KIT, SEAL AND GASKET
14	02222	PARTS KIT, RELIEF VALVE
15	00078	PARTS KIT, CHECK VALVE (DESCENDING)
16	02352	O-RING, INDUSTRIAL (3-5/8 X 3-7/8 X 1/8)
17	01393	STRAIN RELIEF, NYLON INSULATOR
18	04390	STRAIN RELIEF, NYLON PLUG
19	01695	TERMINAL, INSULATED, MALE (ATTACHED TO ELECTRICAL LEAD ON VALVE)
20	01694	TERMINAL, INSULATED, FEMALE (SHIP LOOSE)
21	00200	FILTER ASSEMBLY, INLINE 4-1/8" LONG
22	03692	PARTS KIT, GASKET AND FILTER
23	00506	VALVE ASSEMBLY, 12 VDC, GROUNDED
24	00488	VALVE, 2 WAY-2 POSITION, 12 VDC, GROUNDED
25	00496	COIL, 12 VDC, 2 WAY-2 POSITION, GROUNDED
26	00263	CARTRIDGE, 2 WAY-2 POSITION, 12 VDC, AND 24 VDC
27	00121	PARTS KIT, 2 WAY-2 POSITION, CARTRIDGE
28	01494	TUBE, RETURN, 1/8 NPT
29	01818	TUBE, SUCTION, 3/8 NPT
30	01134	SCREEN, FILTER (SUCTION)
31	03171	PLUG, VENT (PLASTIC)
32	07703	SCREW, THREAD FORMING 10-24 X 3/8"
33	06227	RESERVOIR, 6" DIA. X 5"
34	16143	MOTOR COVER BOOT
35	HRDB6MP-4FP	REDUCING BUSHING
36	HELB4FP-4FX-90L	SWIVEL ADAPTER - ELBOW
37	HTEL4MJ-4MP-90	TUBE ADAPTER - MALE 90 DEG.
38	13548	CREEP VALVE KIT - NOT CURRENT PRODUCTION
39	60VC - 04 X 04	SWIVEL ADAPTER - TEE - NOT CURRENT PRODUCTION
40	13548-V	CREEP VALVE ASSEMBLY - NOT CURRENT PRODUCTION
41	HTAD4MJ-4FP	TUBE ADAPTER - FEMALE STRAIGHT - NOT CURRENT PRODUCTION
42	17541	TUBE ASSEMBLY - NOT CURRENT PRODUCTION
43	HELB4MP-4FP-90	STREET ELBOW - BRASS - NOT CURRENT PRODUCTION

**STANDARD RELIEF VALVE SETTINGS**

ET5500 5.5-9 & 8-14 FT BOOM	2500 PSI
ET5500 10-18 FT BOOM	2700 PSI
ET6K ALL BOOMS	2300 PSI
H20E ALL BOOMS	2500 PSI

17252 POWER UNIT REPLACES AND INTERCHANGABLE WITH 16792, 16790, 16500, AND 15025 PWR UNITS ON ET5500  
 17253 POWER UNIT REPLACES AND INTERCHANGABLE WITH 16793, 16791, 16501, AND 15023 PWR UNITS ON H20E

17252 POWER UNIT USED ON ET5500MPB SN 17708 & UP, ET5500R SN 41079 & UP, H20E SN 12550 & UP,  
 ET6KM SN 72100 & UP, ET6KR SN 42000 & UP

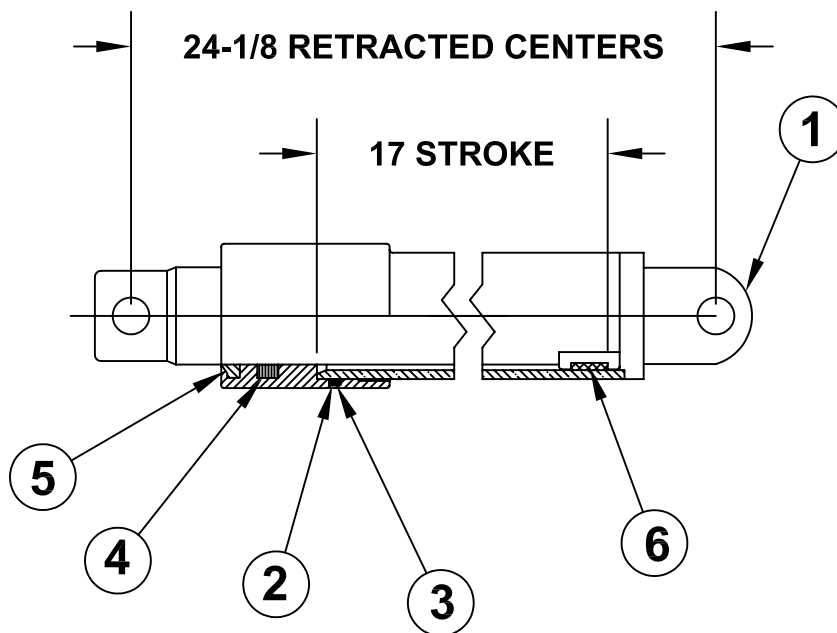


TITLE	DATE	SECTION
17252/17253 HYD PU	10-14-97C	C400
-	SUPERCEDES	900309
	4-8-96B	

# REPLACEMENT PARTS LIST - 18671-2 ELEVATING CYLINDER ASSEMBLY

MODEL(S): ET6KM, ET6KR

ITEM NO.	PART NUMBER	DESCRIPTION
	18671-2	ELEVATING CYLINDER ASSEMBLY (2" BORE X 17" STROKE)
1	18672-2	ELEVATING CYLINDER ONLY
2	*	O-RING
3	*	POLYURETHENE PACKING - BACKUP RING
4	*	GLAND NUT - ROD SEAL
5	*	ROD WIPER
6	*	WEAR RING
*	18673-2	PACKING KIT (INCLUDES PARTS MARKED *)



MFG., INC.  
CINCINNATI, OHIO

TITLE  
18671-2 ELEV CYL ASSY

DATE  
1-7-05

SECTION  
C400

SUPERSEDES  
-

21055

**ET6KM-6/14**  
**19140-6/14 FIELD SERVICE LABEL KIT**

ITEM	PARTNUMBER	QTY	DESCRIPTION
1	13397	1	OIL LEVEL DECAL
2	19106-1	1	BOOM CAP DECAL - RH
3	19106-2	1	BOOM CAP DECAL - LH
4	15390	1	CAUTION, INSTRUCTIONS DECAL
5	15391	1	CRANE NOT PASSENGER LIFT DECAL
6	15392	1	DANGER ELECTROCUTION HAZZARD DECAL
7	15401	1	UNLAWFUL TO OPERATE DECAL
8	15398	1	UNPLUG PENDANT DECAL
9	15393	4	DANGER ELECTROCUTION HAZZARD DECAL
10	15394	1	ELECTRICAL HAZZARD SIGN
11	15513	1	ON / OFF PLATE DECAL
12	17389	2	VENTURO DECAL (MEDIUM)
13	15581	1	ATTACHMENT DECAL
14	17389-4	1	VENTURO DECAL (SMALL)
15	D18658	1	WIRING DIAGRAM DECAL
16	13557	1	CONTROL PENDANT 2 SW DECAL
17	19731-1	2	SNATCH BLOCK DECAL (3000 LB)
18	19567	1	DECAL PLACEMENT DRAWING
19	19738	2	ET6KM DECAL
20	-	-	-
21	-	-	-
22	-	-	-
23	-	-	-
24	-	-	-
25	-	-	-
26	-	-	-
27	-	-	-
28	-	-	-
29	-	-	-
30	-	-	-
31	-	-	-
32	-	-	-
33	-	-	-
34	-	-	-
35	-	-	-

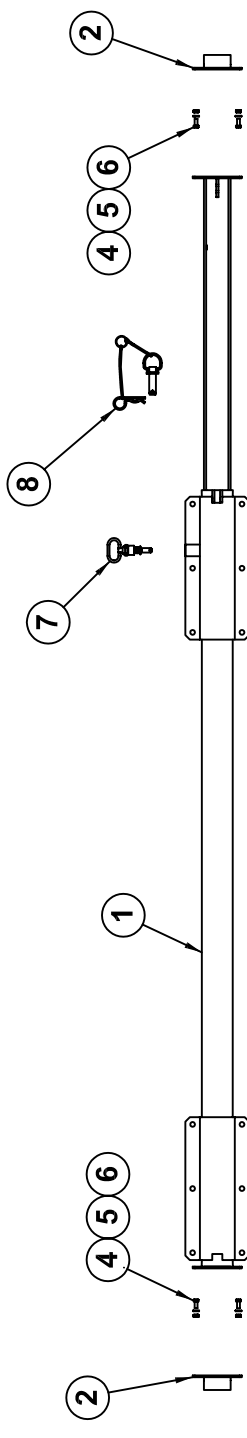
	TITLE	DATE	SECTION
	FIELD SERV. LABEL KIT	6-23-06	-
	ET6KM-6/14	SUPERCEDES	20847
		-	

**ET6KR-6/14**  
**19141-6/14 FIELD SERVICE LABEL KIT**

ITEM	PARTNUMBER	QTY	DESCRIPTION
1	13397	1	OIL LEVEL DECAL
2	19106-1	1	BOOM CAP DECAL - RH
3	19106-2	1	BOOM CAP DECAL - LH
4	14473-1	1	OIL DECAL
5	14473-2	3	GREASE DECAL
6	15390	1	CAUTION, INSTRUCTIONS DECAL
7	15391	1	CRANE NOT PASSENGER LIFT DECAL
8	15392	1	DANGER ELECTROCUTION HAZZARD DECAL
9	15401	1	UNLAWFUL TO OPERATE DECAL
10	15398	1	UNPLUG PENDANT DECAL
11	15393	4	DANGER ELECTROCUTION HAZZARD DECAL
12	15394	1	ELECTRICAL HAZZARD SIGN
13	15513	1	ON / OFF PLATE DECAL
14	15581	1	ATTACHMENT DECAL
15	17389	1	VENTURO DECAL
16	D18668	1	WIRING DIAGRAM DECAL
17	19739	2	ET6KR DECAL
18	17813	1	OVERLOAD SENSING DECAL
19	25538	1	CONTROL PENDANT 3 SW DECAL
20	19731-1	2	SNATCH BLOCK DECAL (3000 LB)
21	19566	1	DECAL PLACEMENT DRAWING
22	20174	1	DECAL - GROUND CABLE
23	-	-	-
24	-	-	-
25	-	-	-
26	-	-	-
27	-	-	-
28	-	-	-
29	-	-	-
30	-	-	-
31	-	-	-
32	-	-	-
33	-	-	-
34	-	-	-
35	-	-	-

	TITLE	DATE	SECTION
	FIELD SERV. LABEL KIT	6-23-06	-
	ET6KR-6/14	SUPERCEDES	20848
		-	





8	1	24981	OUTRIGGER SECURITY PIN
7	1	18520	SPRING LOADED ASSEMBLY
6	8	!LWSH-031	LOCKWASHER - 5/16
5	8	!HNUT-03118	HEX NUT - 5/16-18
4	8	!HHCS03118075	HEX HEAD CAP SCREW - 5/16-18 X 3/4" LONG
3	2	18586	CRANKDOWN LEG
2	2	18587	CRANKDOWN LEG ADAPTER
1	1	18501	TUBE - OUTRIGGER ASSEMBLY
ITEM	QTY	PART NO	DESCRIPTION

TITLE		SECTION	
REPLACEMENT PARTS DWG & LIST		C400	
DATE		DATE	
4-18-06B		4-18-06B	
SUPERSEDES		SUPERSEDES	
1-14-05A		1-14-05A	
18500-CD MANUAL OUTRIGGERS		22689	







## **LIMITED WARRANTY POLICY**

This limited policy warrants new products of Venturo be free from defects in material and workmanship for a period of one (1) year from date of original installation. This warranty covers:

- ◆ ***Repair or replacement of product***
- ◆ ***Labor to repair or replace product***
- ◆ ***Freight to return and/or replace product***

We shall not be liable for any contingent liabilities arising out of the improper function of any products. Warranty shall become void if the product is improperly installed, modified, damaged, abused or used for application other than intended use.

## **WARRANTY CLAIMS**

Venturo Manufacturing, Inc. will make a good faith effort for prompt correction or other adjustment with respect to any product, which proves to be defective after our inspection and within the warranty period. Before any repairs are attempted or before returning any product, your Venturo Distributor is required to obtain a warranty claim number. This number is necessary for any claim to be considered. To obtain a warranty claim number, Venturo requires the model and serial number. Only authorized Venturo Distributors can perform warranty. For the name and address of your local Venturo Distributor call the **Warranty Claim Department – 513-772-8448**.

**WARNING** – It is the responsibility of the installer to insure the installation is completed according to the manufacturer's recommendations, insure the ultimate user understands how to operate product in a safe manner and understands the need for regular service and maintenance by an authorized Venturo Distributor. No modifications or alterations may be made to any Venturo products without the expressed written consent of the manufacturer. Reinstallation of any Venturo product must be done by an authorized Venturo Distributor, to the standards of the industry including maintenance, service and affixing of all instruction, safety and warning decals. Users should again be instructed as to the safe operation at time of delivery. Maintenance, service, operation and safety warning decals are available on request from Venturo Manufacturing, Inc.

### **VENTURO MANUFACTURING, INC**

*DIVISION OF COLLINS ASSOCIATES, INC*  
12110 BEST PLACE • CINCINNATI, OHIO 45241  
513.772.8448  
www.venturo.com