



VENTURO
TRUCK MOUNTED CRANES

HT25KX(X)

*HLAAAC-00** & HLBAAC-00***
INSTALLATION & OWNER'S MANUAL

TABLE OF CONTENTS

HT25KX(X) / Non-Prop Ctrl / NO Eng Controls (HL***AAC-00****)

SECTION 100

21951	Installation Dimensions
21080	Mounting Dimensions - Base Plate
21893	Capacity Chart - HT25

SECTION 150

SAFETY

15394	Vehicle & Crane Electrical Hazard Information
920612	Safety & Hazards - General
119217	Winch Safety Warnings
21884	Decal Placement - HT25
21353	Safety Decals Drawing & List (1 of 4)
21355a	Safety Decals Drawing & List (2 of 4)
21355b	Safety Decals Drawing & List (3 of 4)
21953	Safety Decals Drawing & List (4 of 4)

SECTION 200

INSTALLATION

21094	Crane Installation (1 of 2)
119212b	Crane Installation (2 of 2)
20435A	Crane Operation & Maintenance Instructions (1 of 2)
21955	Crane Operation & Maintenance Instructions (2 of 2)
22328	Safety Shutoff Instructions
20051	Rotation Stop Location
22826	19295 Hydraulic Tank Dimensions (10 Gal)
119232	PTO Installation
20691	Compartment Drawing
22245	Wirerope Installation
20453	In-Compartment Controls Installation

SECTION 300

MAINTENANCE & SERVICE

21956	Lubrication & Maintenance Chart
23203	Maintenance Information

SECTION 400

REPLACEMENT PARTS

23206	HT25KX(X) Replacement Parts Drawing
23207	HT25KX(X) Replacement Parts List
21198	27198 Boom Replacement Parts Drawing
21199	27198 Boom Replacement Parts List
21098	21470 Boom Replacement Parts Drawing
21099	21470 Boom Replacement Parts List
21379	19814 Winch Replacement Parts
25203	21419 Rotation System Replacement Parts
21880	Anti-Two-Block Replacement Parts Drawing
21881	Anti-Two-Block Replacement Parts List
20360	Electrical Schematic - Standard (Non-Proportional)
20350	Electrical Schematic - Non-Prop In-Compartment Ctrl's
21251	Hydraulic System Components Replacement Parts Drawing
21252	Hydraulic System Components Replacement Parts List
22939	22501 Hydraulic Valve Manifold Replacement Parts
21882	HT25/30 Non-Proportional Hydraulic System Diagram
22078	22062 Pendant Replacement Parts Drawing & List
21773	21752 Elevation Cylinder Replacement Parts
21879	20061 Extension Cylinder Replacement Parts
21860	21753 Extension Cylinder Replacement Parts
22744	19294 PTO Package
23208	HT25 Non-Proportional Field Service Label Kit



MFG., INC.
CINCINNATI, OHIO

TITLE	DATE	SECTION
TABLE OF CONTENTS	3-7-10A	-
HT25 (HL* AAC-00**)	SUPERSEDES 10-13-09	21950

SECTION 100

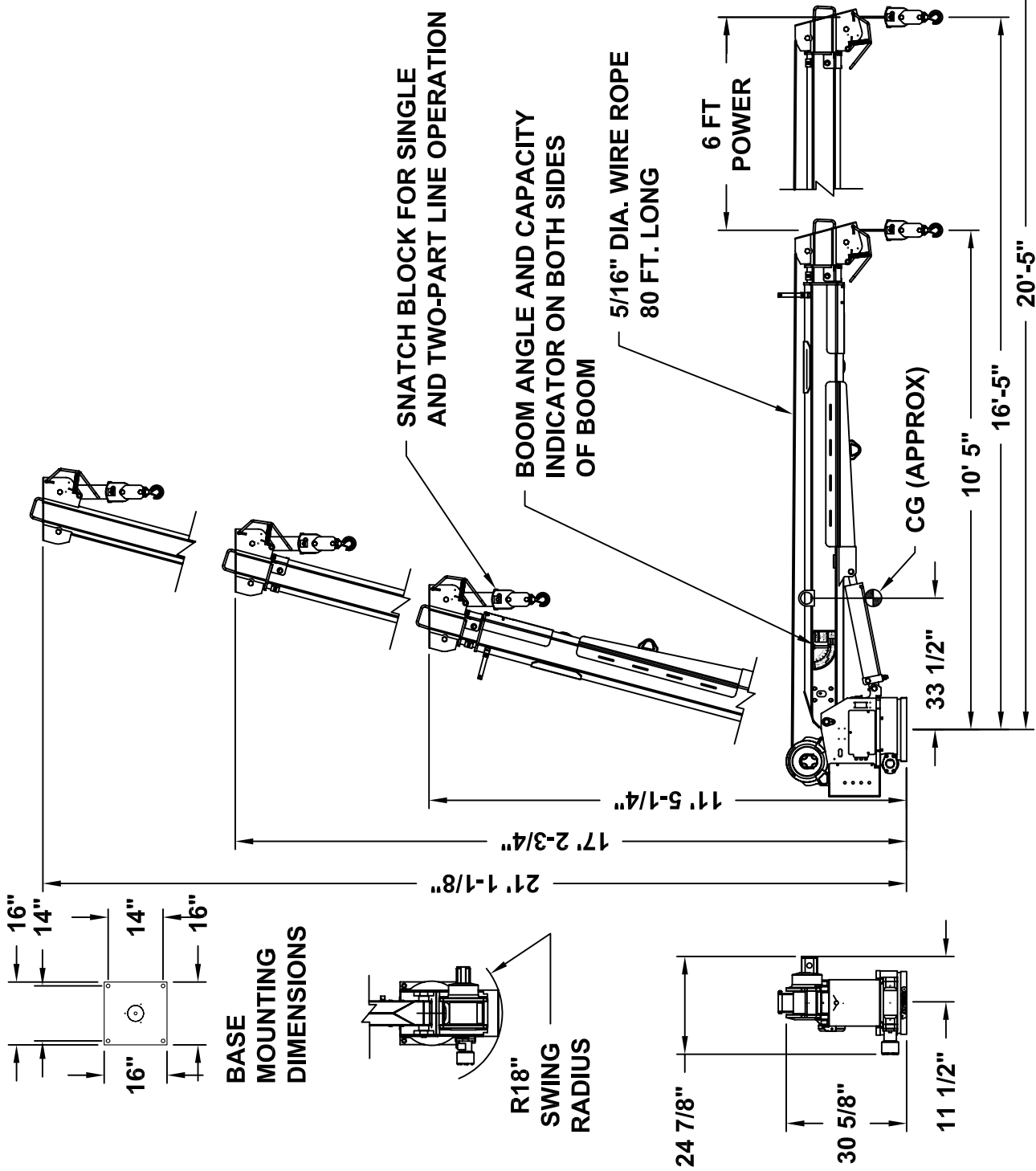
DESCRIPTION


&

SPECIFICATIONS

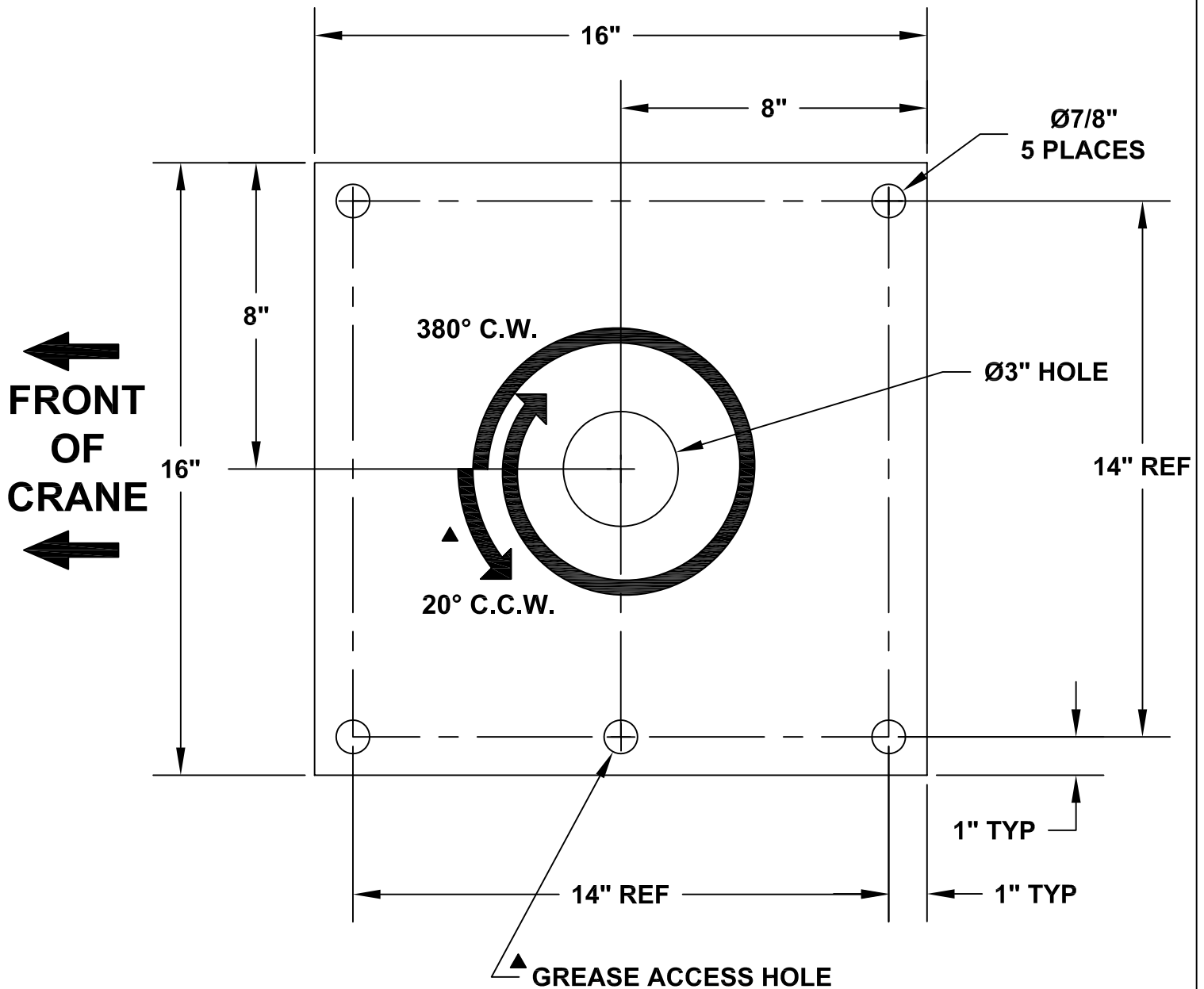
WARNING: THESE PRODUCTS ARE NOT PASSENGER LIFTS. THEY ARE NOT DESIGNED OR INTENDED TO BE USED TO LIFT, SUPPORT, OR OTHERWISE TRANSPORT PERSONNEL.

TOTAL INSTALLED WEIGHT 1620 LBS.



 MANUFACTURING, INC. CINCINNATI, OHIO	TITLE INSTALLATION DRAWING		DATE 12-14-09A	SECTION C100
	HT25 & HT30		SUPERSEDES 10-13-09	21951

ET/HT25/30/36KX(X) BASE MOUNTING DIMENSIONS (Grease Zerk on Underside of Slewing Ring)



MFG., INC.
CINCINNATI, OHIO

TITLE
BASE MOUNTING DIM

ET/HT25/30/36

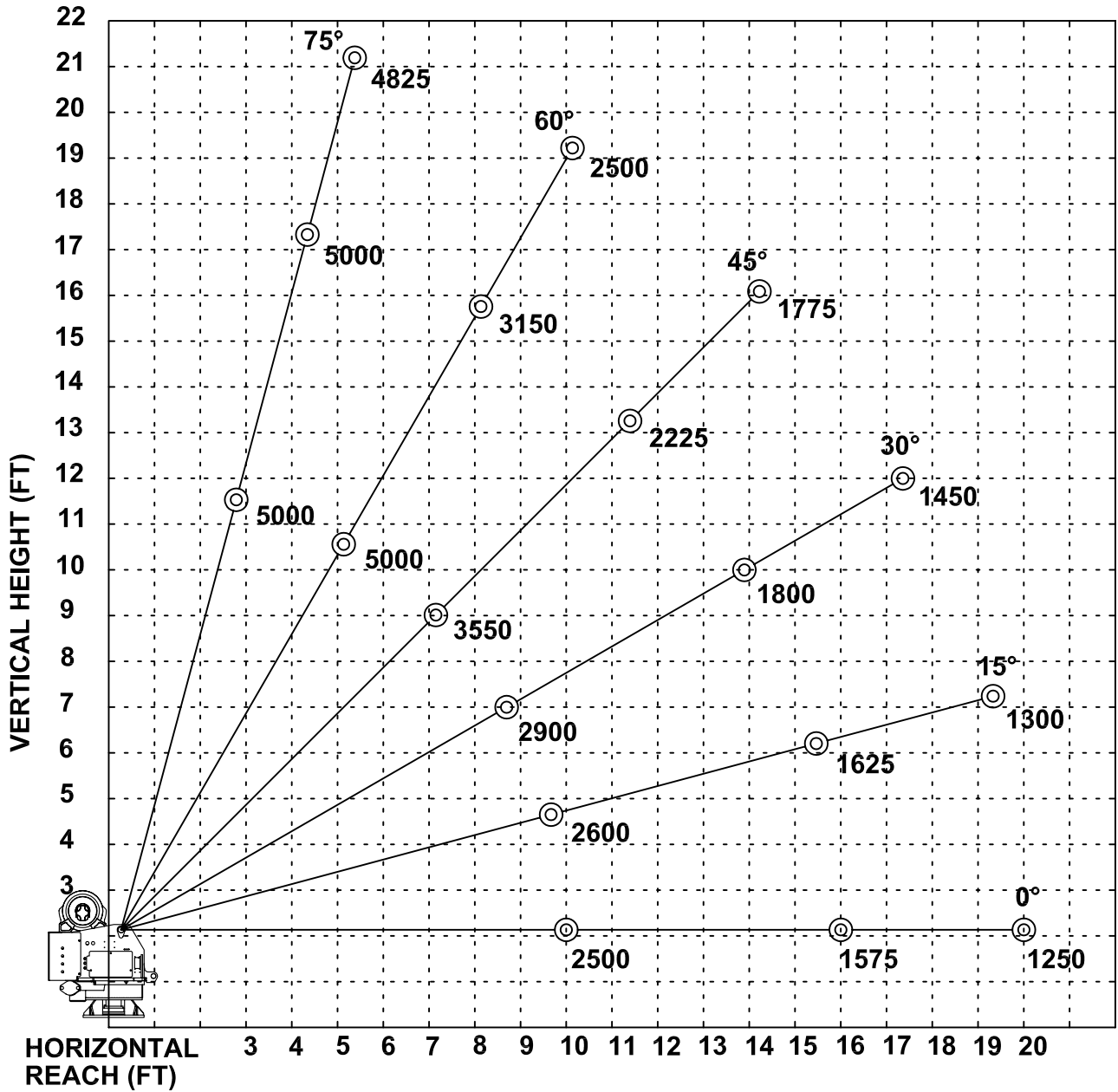
DATE
1-20-10C

SUPERSEDES
8-10-09B

SECTION
C100

21080

ET/HT25KX - 10-16-20 BOOM MAXIMUM CAPACITY CHART



**MUST USE SNATCH BLOCK
FOR LOADS OF 2500 LBS.
AND GREATER**



MANUFACTURING, INC.
CINCINNATI, OHIO

TITLE
CAPACITY CHART

ET/HT25KX - 10-16-20

DATE
7-1-10A

SUPERSEDES
10-9-09

SECTION
C100

21893

SECTION 150

SAFETY

VEHICLE & CRANE MOUNTED ELECTRICAL HAZARD SIGN APPLICATION & INFORMATION

ET & HT CRANE SERIES



▲ SIGN NO. 15393A DISPLAYS THE INTERNATIONAL SYMBOL FOR ELECTRICITY AND WARNS OF DANGER FROM AN ELECTRICALLY CHARGED VEHICLE, CRANE, OR LOAD. FOUR ARE RECOMMENDED (ONE FOR EACH SIDE AND ONE FOR EACH END OF VEHICLE) TO BE APPLIED IN LOCATIONS WHICH ARE READILY VISIBLE TO GROUND PERSONNEL.



▲ SIGN NO. 15401 PROVIDES ADDITIONAL WARNING OF LEGAL REQUIREMENTS WHEN OPERATING NEAR HIGH VOLTAGE LINES. THIS SIGN IS PLACED ON THE CONTROL PENDANT SIDE OF BOOM.

REQUIRED MINIMUM CLEARANCES REFERRED TO ON SIGN NO. 15401

REQUIRED CLEARANCES FROM OVERHEAD HIGH-VOLTAGE LINES

NOMINAL VOLTAGE (kV) (PHASE TO PHASE)	MINIMUM REQUIRED CLEARANCE (FEET) *
0 - 50	10
over 50 - 200	15
over 200 - 350	20
over 350 - 500	25
over 500 - 750	35
over 750 - 1000	45

REQUIRED CLEARANCES FROM ENERGIZED HIGH-VOLTAGE CONDUCTORS (WHILE IN TRANSIT)

NOMINAL VOLTAGE (kV) (PHASE TO PHASE)	MINIMUM REQUIRED CLEARANCE (FEET) *
0 - 0.75	4
over 0.75 - 50	6
over 50 - 345	10
over 345 - 750	16
over 750 - 1000	20

* NOTE: ENVIRONMENTAL CONDITIONS SUCH AS FOG, SMOKE, OR PRECIPITATION MAY REQUIRE INCREASED CLEARANCES



TITLE
INSTALLATION DWG

DATE
5-15-02H

SECTION
C150

ET & HT CRANE SERIES

SUPPERCEDES
5-13-97G

15394

CRANE SAFETY AND HAZARDS

HT-SERIES CRANES

CAUTIONS

1. INSPECT VEHICLE AND CRANE, INCLUDING OPERATION, PRIOR TO USE DAILY.
2. DO NOT USE THIS EQUIPMENT EXCEPT ON SOLID, LEVEL SURFACE WITH CRANE MOUNTED ON FACTORY-RECOMMENDED TRUCK.
3. BEFORE OPERATING THE CRANE, REFER TO MAXIMUM LOAD (CAPACITY) CHART ON CRANE FOR OPERATING (LOAD) LIMITATIONS.
4. DO NOT OPERATE, WALK, OR STAND BENEATH BOOM OR A SUSPENDED LOAD.
5. ATTACH PENDANT CORD SUPPORT SNAP TO ATTACHMENT POINT BEFORE PLUGGING IN PENDANT.
6. UNPLUG PENDANT AND DISENGAGE PTO SYSTEM WHEN CRANE NOT IN USE.
7. FOR TRAVEL, BOOM MUST BE IN STOWED POSITION.

DANGER

- THIS CRANE IS NOT A PASSENGER LIFT
- IT IS NOT DESIGNED OR INTENDED TO BE USED TO LIFT, SUPPORT, OR OTHERWISE TRANSPORT PERSONNEL.

YOU MUST NOT OPERATE THIS CRANE UNLESS

1. YOU HAVE BEEN TRAINED IN THE SAFE OPERATION OF THIS CRANE
AND
2. YOU KNOW AND FOLLOW THE SAFETY AND OPERATING RECOMMENDATIONS CONTAINED IN THE MANUFACTURER'S MANUALS, YOUR EMPLOYER'S WORK RULES, AND APPLICABLE GOVERNMENT REGULATIONS. AN UNTRAINED OPERATOR SUBJECTS HIMSELF AND OTHERS TO DEATH OR SERIOUS INJURY.

ELECTROCUTION HAZARD

- THIS MACHINE IS NOT INSULATED.
- MAINTAIN SAFE CLEARANCES FROM ELECTRICAL LINES AND APPARATUS.
- YOU MUST ALLOW FOR BOOM SWAY, ROCK OR SAG, AND ELECTRICAL LINE AND LOADLINE SWAYING.
- THIS LIFTING DEVICE DOES NOT PROVIDE PROTECTION FROM CONTACT WITH OR PROXIMITY TO AN ELECTRICALLY CHARGED CONDUCTOR.
- YOU MUST MAINTAIN A CLEARANCE OF AT LEAST 10 FEET BETWEEN ANY PART OF THE CRANE, LOADLINE, OR LOAD, AND ANY ELECTRICAL LINE OR APPARATUS CARRYING UP TO 50,000 VOLTS. ADDITIONAL CLEARANCE IS REQUIRED FOR VOLTAGES IN EXCESS OF 50,000 VOLTS. REFER TO DRAWING 15394 FOR ADDITIONAL INFORMATION.
- **DEATH OR SERIOUS INJURY** WILL RESULT FROM CONTACT OR INADEQUATE CLEARANCE.



MFG., INC.
CINCINNATI, OHIO

TITLE
INSTALLATION DWG

DATE
11-19-09B

SECTION
C150

HYDRAULIC CRANES

SUPERCEDES
5-13-97A

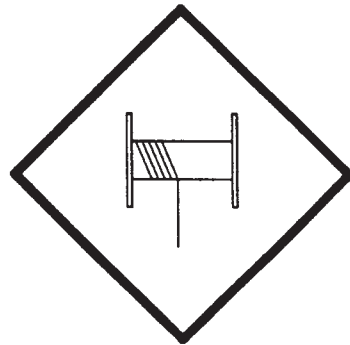
920612

WINCH SAFETY WARNINGS



DANGER

**DO NOT DISENGAGE
WINCH UNDER LOAD**



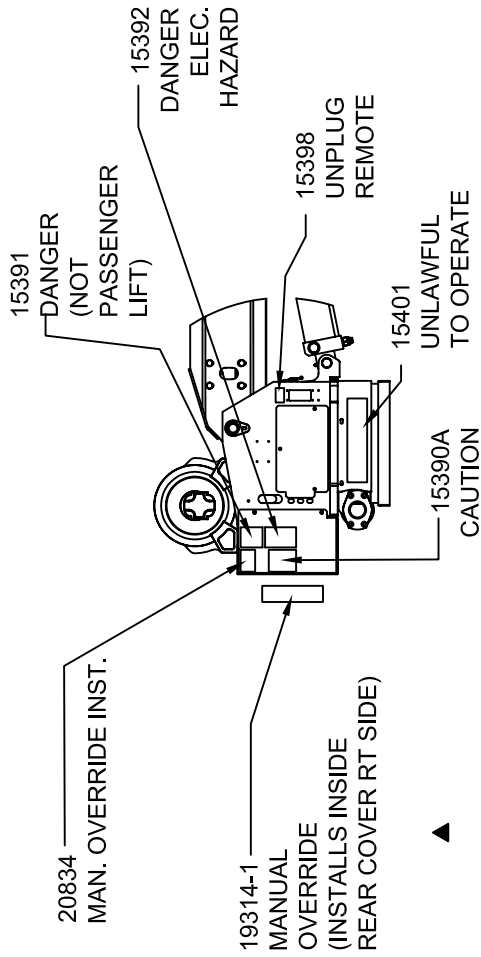
DANGER

**THE LAST FIVE
WRAPS OF WIRE ROPE
MUST BE LEFT ON
THE DRUM TO ASSIST
THE WIRE ROPE CLAMP IN
HOLDING THE LOAD**

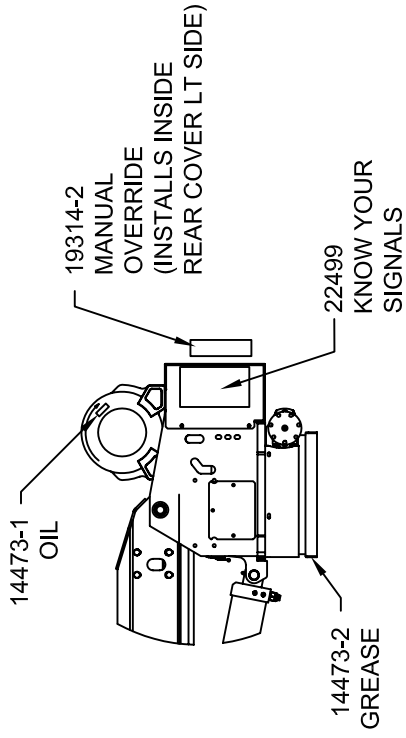


WARNING

**WINCHES ARE NOT
TO BE USED FOR
THE LIFTING OR
MOVING OF
PERSONS**

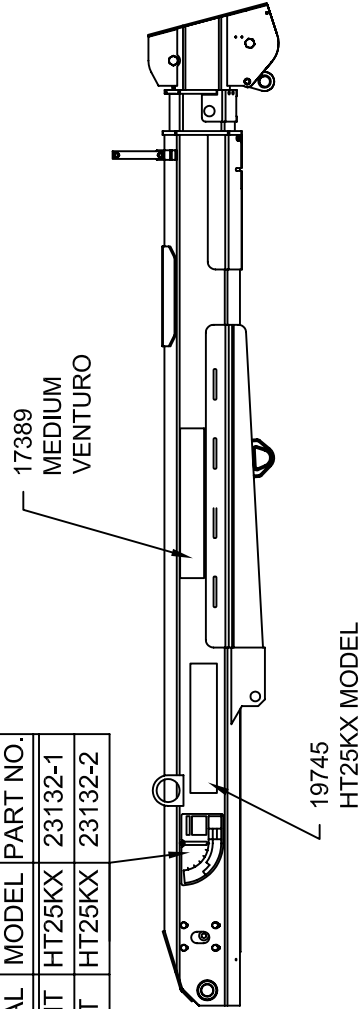


RIGHT

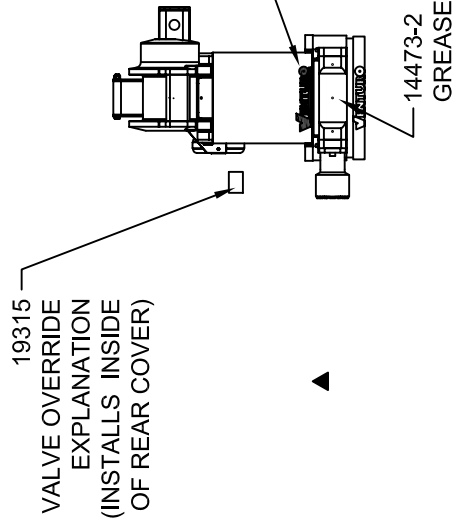


LEFT

CAPACITY	DECAL	MODEL	PART NO.
	RIGHT	HT25KX	23132-1
	LEFT	HT25KX	23132-2



BOOM



BACK

TITLE
DECAL PLACEMENT

HT25

DATE
3-23-12B

SUPERSEDES
3-9-11A

SECTION
C150

21884

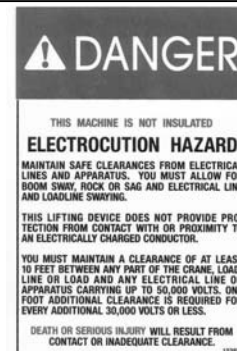
PART NO.: 15390
DECAL: CAUTION - INSPECT VEHICLE & CRANE
FUNCTION: To inform the operator of key operating requirements.
QUANTITY: 1
PLACEMENT: Rear cover.



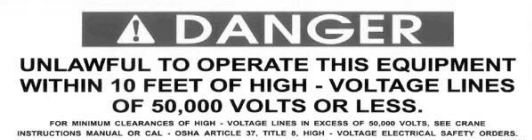
PART NO.: 15391
DECAL: DANGER - NOT PASSENGER LIFT
FUNCTION: To inform the operator not to lift, support or transport personnel, and to ensure that crane operator is adequately trained.
QUANTITY: 1
PLACEMENT: Rear cover.



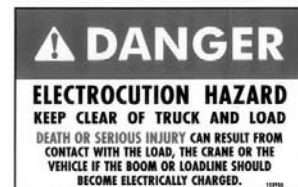
PART NO.: 15392
DECAL: DANGER - ELECTROCUTION HAZARD
FUNCTION: To inform the operator that the machine (crane) represents an electrocution hazard should it come close to or in contact with electrical voltage source.
QUANTITY: 1
PLACEMENT: Rear cover.



PART NO.: 15401
DECAL: UNLAWFUL TO OPERATE
FUNCTION: To inform the operator of proper operation in vicinity of power lines.
QUANTITY: 1
PLACEMENT: Right side of housing.



PART NO.: 15393A
DECAL: DANGER - ELECTROCUTION HAZARD
FUNCTION: Warns of danger from electrically charged vehicle, crane or lead.
QUANTITY: 4
PLACEMENT: One on each side and each end of vehicle.



MFG., INC.
 CINCINNATI, OHIO

TITLE
SAFETY DECALS

CRANES

DATE
8-10-09B

SUPERSEDES
5-6-08A

SECTION
C150

21353

PART NO.: 14473-2

DECAL: GREASE

FUNCTION: To show the operator where to apply grease.

QUANTITY: Varies

PLACEMENT: Near grease fittings.



PART NO.: 19314-1

DECAL: MANUAL OVERRIDE

FUNCTION: To inform the operator of manual override locations.

QUANTITY: 1

PLACEMENT: Left side of rear cover.



PART NO.: 19314-2

DECAL: MANUAL OVERRIDE

FUNCTION: To inform the operator of manual override locations.

QUANTITY: 1

PLACEMENT: Right side of rear cover.



MFG., INC.
CINCINNATI, OHIO

TITLE
SHUT OFF & OVERRIDE DECALS

DATE
3-9-11A

SECTION
C150

HT CRANES

SUPERSEDES
9-6-05

21355A

PART NO.: 19315-1

DECAL: MANUAL OVERRIDE (NON-PROPORTIONAL)

FUNCTION: To show the operator how to
override master shut off valve.

QUANTITY: 1

PLACEMENT: Rear cover.



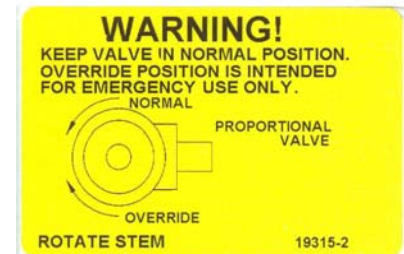
PART NO.: 19315-2

DECAL: MANUAL OVERRIDE (PROPORTIONAL)

FUNCTION: To show the operator how to
override proportional valve.

QUANTITY: 1

PLACEMENT: Rear cover.



MFG., INC.
CINCINNATI, OHIO

TITLE
SHUT OFF & OVERRIDE DECALS

DATE
9-6-05

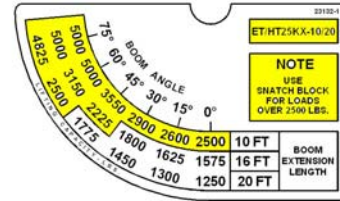
SECTION
C150

HT CRANES

SUPERSEDES
-

21355B

PART NO.: 23121-1 & 23121-2 (OPPOSITE)
 DECAL: CRANE CAPACITY
 FUNCTION: To show the operator the operating capacities of crane.
 QUANTITY: 1 each
 PLACEMENT: One on each side of boom.



PART NO.: 19745
 DECAL: MODEL NUMBER
 FUNCTION: To show the model of the crane.
 QUANTITY: 2
 PLACEMENT: One on each side of boom.

HT25KX

SECTION 200

INSTALLATION

CRANE INSTALLATION

HT25/HT30

BODY REINFORCEMENT

The truck body must be reinforced and outriggers provided to withstand the combined loads resulting from lifting and the weight of the crane and boom.

The maximum combined overturning moment for the HT25KX is 28,000 and for the HT30KX is 33,000 ft. lbs.

The maximum vertical load for the HT25KX and the HT30KX is 6500 lbs.

CRANE MOUNTING

The crane base plate or mounting pedestal must be bolted to the body reinforcing plate with four (4) Grade 5 bolts of 3/4" dia. A larger than 3" dia. hose clearance hole must be cut in this plate to allow the hoses to swing and coil freely.

ROTATION POSITIONING

The HT cranes are shipped with the boom rotated as shown on drawing 20051. It can be in any position that pleases the user since the boom can always reach the storage and travel position by rotating one way or the other.

HYDRAULIC CONNECTIONS

The crane is furnished with a pressure and a return hose that come down through the center of the housing. Included in the installation kit are two hydraulic swivels.

The hoses are to be connected in a relaxed position while the crane is at the midpoint of the 400 degree rotation range -- regardless of the final position of the boom during storage/travel.

The bulkhead fittings may be located on any side of the compartment relative to the middle of rotation position.

NOTE: If you purchased one of Venturo's hydraulic packages (19294 series), you will have received our pressure gauge kit. This kit includes a gauge, hose and bulkhead "T" fitting and should be installed on the pressure hose.



TITLE
INSTALLATION DWG

DATE
12-14-09A

SECTION
C200

HT25 / HT30

SUPERCEDES
3-26-08

21094

ELECTRICAL CONNECTIONS

A 25 ft. electrical power lead - intended for 12V DC only - also comes down through the center of the housing with the hoses. This lead should be looped in the compartment so that it remains relaxed throughout the 400 degree rotation of the crane.

A 15amp circuit breaker is mounted on the crane and protects the crane's internal wiring and solenoid coils. The 15amp circuit breaker does not protect the 25 foot electrical power lead. For added protection, the 25 ft. lead can be connected to a 15-20 amp protected circuit that, if possible, is powered only when the vehicle engine is running

HYDRAULIC FLUID

<u>Average Climate</u>	<u>Type of Oil</u>
Cold to Moderate	ISO Grade AW 46
Warm to Hot	ISO Grade AW 68

The fluid should have the highest anti-wear characteristics and treated to inhibit rust and oxidation.

HYDRAULIC HOSES & LINES

The minimum sizes for lines and hoses are as follows:

	NON-PROP	PROP
PRESSURE	1/4"	3/8"
RETURN	3/8"	1/2"
SUCTION	1/2"	3/4"

RESERVOIR

The PTO reservoir should have a capacity of 8 gallons fitted with 100 mesh suction screen, 10 micron return line filter, and filler/breather cap.

PTO PUMP

For standard (non-proportional) cranes, the PTO pump should be sized to provide 2.0 gpm (or 1.5 gpm for more delicate control of loads) at 3000 psi when engine is at desired idle speed.

For proportional cranes, the PTO pump should be sized to provide 4.0 gpm at 3000 psi when engine is at desired idle speed.

PTO START-UP

Before connecting the PTO system to the crane pressure and return hoses, connect the PTO pressure and return lines together at the bulkhead. Operate the PTO system for about two (2) minutes per gallon of reservoir capacity (in this case 16 minutes) to flush out the lines and filter all the fluid several times.

ENGINE START/STOP & THROTTLE CONTROL

If your crane was purchased with optional engine start/stop and throttle control, refer to drawing 22615 in the replacement parts section for further information.



TITLE
INSTALLATION DWG

DATE
12-14-09G

SECTION
C200

HT25 / HT30 ▲

SUPERCEDES
10-23-09F

119212b

CRANE OPERATION AND MAINTENANCE INSTRUCTIONS

HT25 / HT30

SAFETY

Before operating this crane, read and understand these instructions, the 920612 Crane Safety and Hazards Information Sheet, and review all safety & instruction labels on the crane.

CRANE INSPECTION

Before operating this crane, inspect for wear, damage, or oil leakage. After the wire rope has been run out, check for wear, kinks, and broken strands. Check the hook and safety latch for damage. Correct any problems before using the crane.

CAPACITY

Before operating this crane, review the capacity charts on the sides of the boom to relate the load to be lifted to the boom length and angle. The boom angle is shown by a gravity arrow.

SNATCH BLOCK

If the load exceeds 2500 lbs. or reduced winching speed for better control of smaller loads is required, use the snatch block to rig the crane for two part line operation.

CONTROLS

This crane is operated by a remote control pendant. The pendant should be unplugged and stored in a compartment when the crane is not in use.

Before plugging the pendant in, inspect the plug, socket, cord, pendant head, and switches for damage. Actuate all four switches both ways to verify that they all have the same feel and sound and that they return to the center position.

PTO SYSTEM

Check the hydraulic fluid level in the PTO system reservoir. Engage PTO and set the engine idle speed to provide a hydraulic flow rate per the PTO system instructions. A lower idle setting may be used for more delicate spotting of loads if required.

CRANE OPERATION

Use "Winch Down" to release tension on the wire rope to unhook it from the storage tie down position.

Use "Boom Up" to elevate the boom from the boom rest position.

Avoid repeated rapid reversals of the control switches. This can cause the load to swing.

Check all control functions to see that they are working as described in the following section

CONTROL FUNCTIONS

WINCH "UP" and "DOWN" - Raises and lowers the load with the winch.

BOOM "UP" and "DOWN" - Raises and lowers the boom elevation angle. The boom elevates from 8 degrees below horizontal to 75 degrees above horizontal.

BOOM "OUT" and "IN" - Extends and retracts the boom. The boom hydraulic extension stroke for single-stage is 6 ft. and for dual-stage is 10 ft. ▲



MFG., INC.
CINCINNATI, OHIO

TITLE
INSTALLATION DWG

HT25 / HT30

DATE
12-14-09A

SUPERCEDES
6-17-02

SECTION
C200

20435A

ROTATION "L" and "R" - Controls the left and right direction of the crane rotation. The crane rotation is limited to 400 degrees.

POWER (Non Proportional Systems with Engine Controls) - Energizes safety shutoff valve. See page 22328 for detailed operating instructions and warnings.

TRIGGER (Proportional Systems Only) - Varies the flow rate delivered to the crane valve. The farther the trigger is pulled, the faster the selected crane function operates.

OVERLOAD SENSING SYSTEM

This crane is equipped with an Overload Sensing System. If the capacity of the crane is exceeded, the "Winch Up", "Boom Down", and "Boom Out" functions will be shut down. The "Winch Down", "Boom Up", and "Boom In" functions will continue to operate and can be used to relieve the overload condition. The "Rotation" function also will continue to operate.

The Overload system is inoperative if the boom elevation is at the bottom or top limit of travel. To relieve this condition, raise or lower the boom slightly before lifting the load.

TWO-BLOCK SENSING SYSTEM

This crane is equipped with an anti two-block device that is mounted at the tip of the boom. If the snatch block/overhaul weight contacts the device the "Winch Up", "Boom Down", and "Boom Out" functions are disabled. The "Winch Down", "Boom Up", and "Boom In" functions will continue to operate and can be used to relieve the two-block condition. Refer to Drawing 20904 for parts breakdown and configuration information.

TELESCOPIC HEXAGONAL BOOM

The dual-stage 10 to 20 ft. boom has a 10 ft. power extension. The single-stage 10 to 20 ft. boom has a 4 ft. manual telescoping section in addition to the 6 ft. power extension.

TRUCK SETUP & OUTRIGGERS

1. The truck should be parked on ground that is as level and as firm as possible when using the crane.
2. The center of the crane should be positioned close enough to the job so that it can be operated at a reach that puts the load within the rated capacity of the crane.
3. Set the vehicle parking brake and put the vehicle transmission in "park" if it is an automatic.
4. Deploy the outriggers to help stabilize the vehicle against rocking or overturning when lifting with the crane.

PREPARATION FOR TRAVEL

1. Return the outriggers to the stowed position. Install and secure all pins.
2. Stow the crane boom in the boom support.
3. Hook the winch line to the tie down point on the boom and apply light tension.
4. Disengage the PTO pump and idle speed control.
5. Unplug the control pendant and store in a body compartment or the cab.



MFGE., INC.
CINCINNATI, OHIO

TITLE
INSTALLATION DWG

HT25 / HT30 ▲

DATE
12-14-09A

SUPERCEDES
10-23-09

SECTION
C200

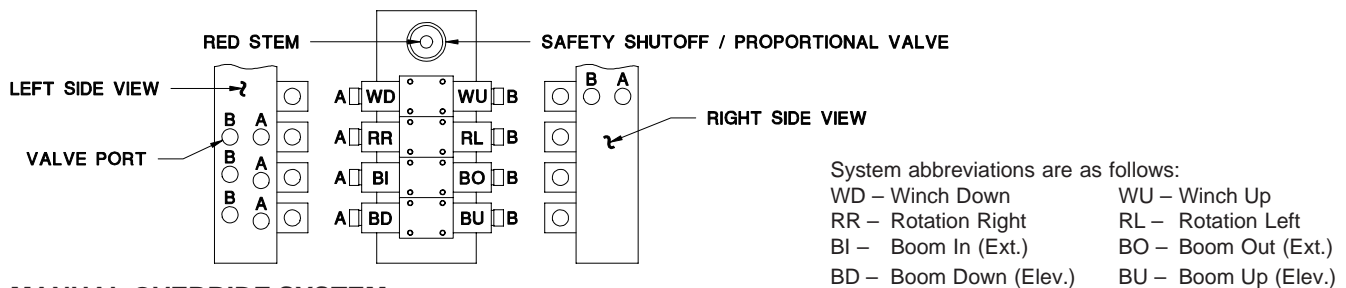
21955

EXPLANATION OF HYDRAULIC VALVE SYSTEM

OVERVIEW

Venturo's hydraulic cranes are available in two general configurations: Proportional and Non-proportional. The **Non-proportional** configuration utilizes a safety shutoff valve which, when **not** actuated, allows hydraulic fluid to bypass the valve bank and return to tank; the crane will not function when the safety shutoff valve is not actuated. When the safety shutoff valve is actuated (control pendant energizes the coil or the coil is manually overridden), hydraulic fluid cycles through the valve bank and allows the crane to function. The **Proportional** configuration utilizes a proportional valve which in its fully closed and fully opened positions functions similarly to the safety shutoff valve, but adds the ability to operate the crane at any speed in between these two extremes.

In both the Non-proportional and Proportional configurations, the four crane functions (winch, rotation, boom elevation, and boom extension) are controlled by four separate valve sections. Each valve section has two solenoid coils (and two manual overrides) which control the direction that the function operates (e.g. winch up vs. winch down). For a given crane function and direction (e.g. winch up) the solenoid coil and the associated manual override lie on the same side of the valve bank (both "push").



MANUAL OVERRIDE SYSTEM

Should an electrical failure occur, your Venturo crane can be operated manually. **The manual overrides are intended for emergency use only and should not be used for normal operation.**

To operate in manual override mode:

- (1) Override the safety shutoff or proportional valve by turning the red stem on the valve as stated below.

Non-proportional system:

For override operation, press stem in and rotate counterclockwise until it stops.

To return to normal operation, press stem in and rotate clockwise until it stops.

Proportional system:

For override operation, rotate stem clockwise (the farther the stem is turned the faster the crane will operate).

To return to normal operation, rotate the stem counterclockwise until it stops.

- (2) Determine the coil/override associated with the function you wish to operate, then insert a small diameter object (an allen wrench works well) into the detent on the end of the valve stem and press firmly inward. For example, pushing the stem labeled A on the first bank (refer to the illustration) will actuate winch down.

WARNING! For normal crane operation, the safety shutoff or proportional valve must be in the "normal" position (as described above). Test the crane before each use by placing the power toggle switch or trigger in the "OFF" position and testing each crane function *using the manual overrides*. If any crane function operates, verify that the red stem on the safety shutoff or proportional valve is in the normal position then retest.

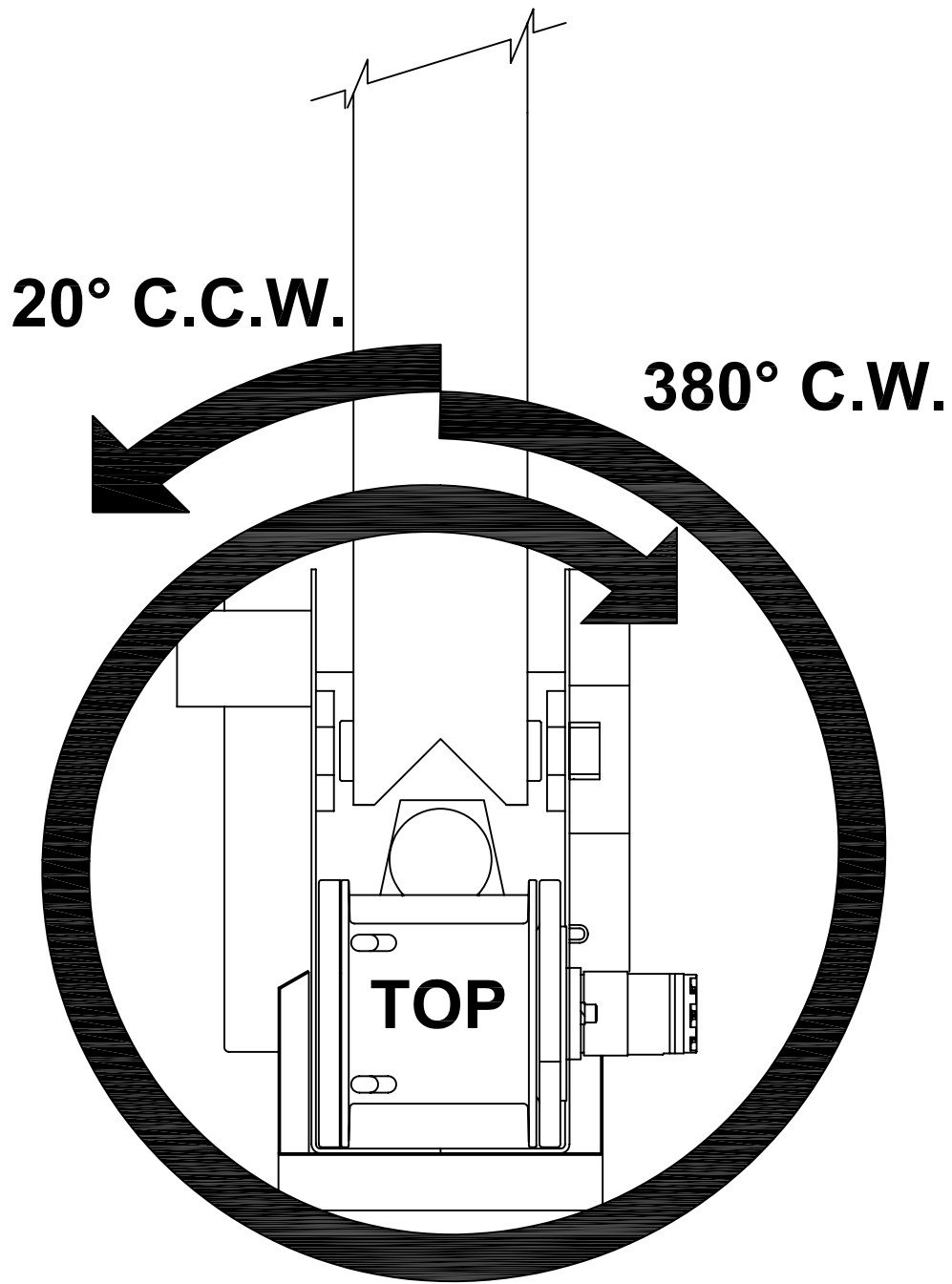
EMERGENCY STOP

In the unlikely event that a function of the crane does not stop once the function's toggle switch is released, the **Non-proportional** crane can be stopped by simply toggling the power switch to the off (emergency stop) position and the **Proportional** crane can be stopped by releasing the trigger.



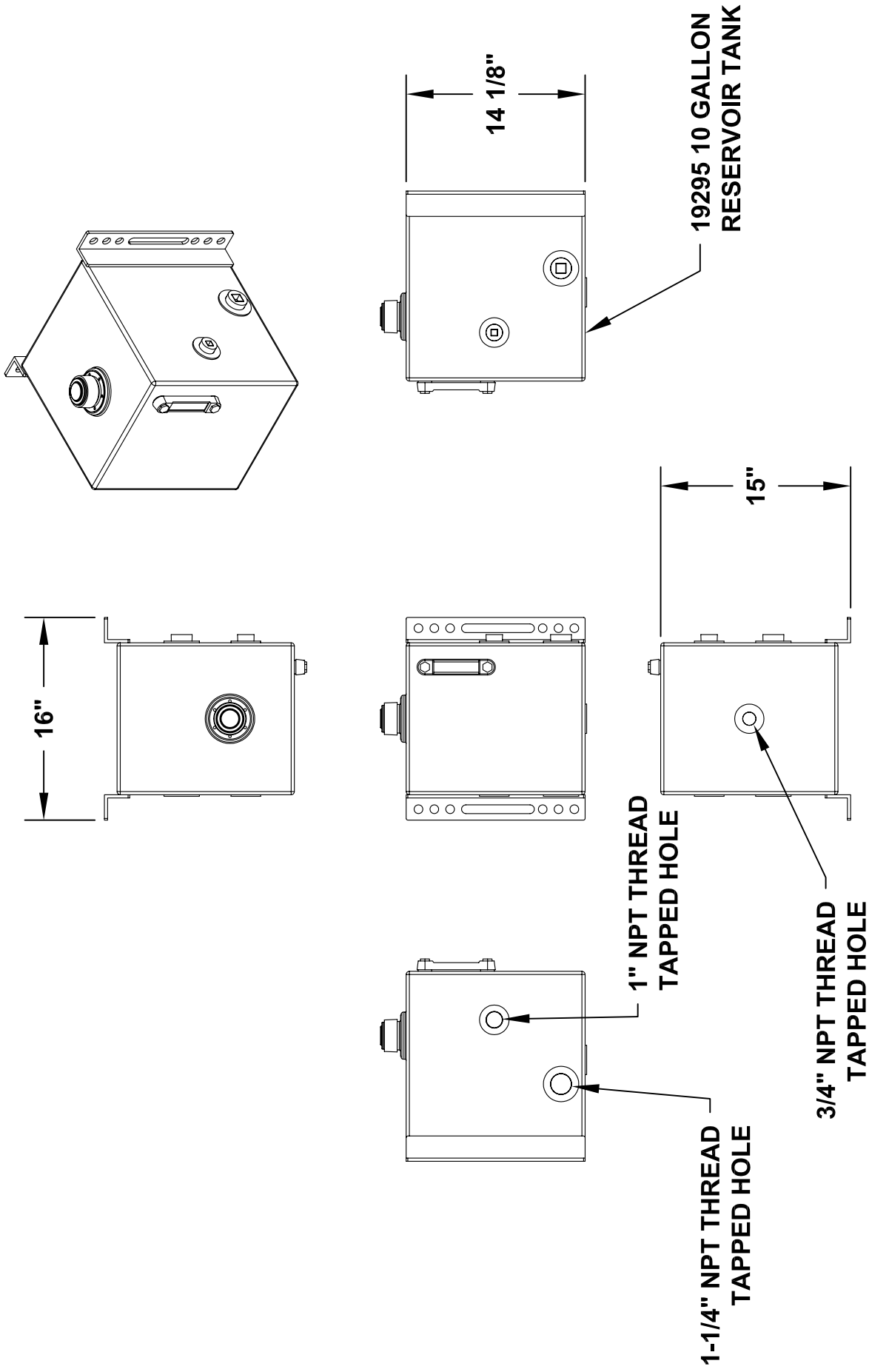
MFG., INC.
CINCINNATI, OHIO


TITLE	DATE	SECTION
HYDRAULIC SYSTEM	12-14-09C	C200
HT SERIES CRANES ▲	SUPERCEDES 9-24-03B	22328

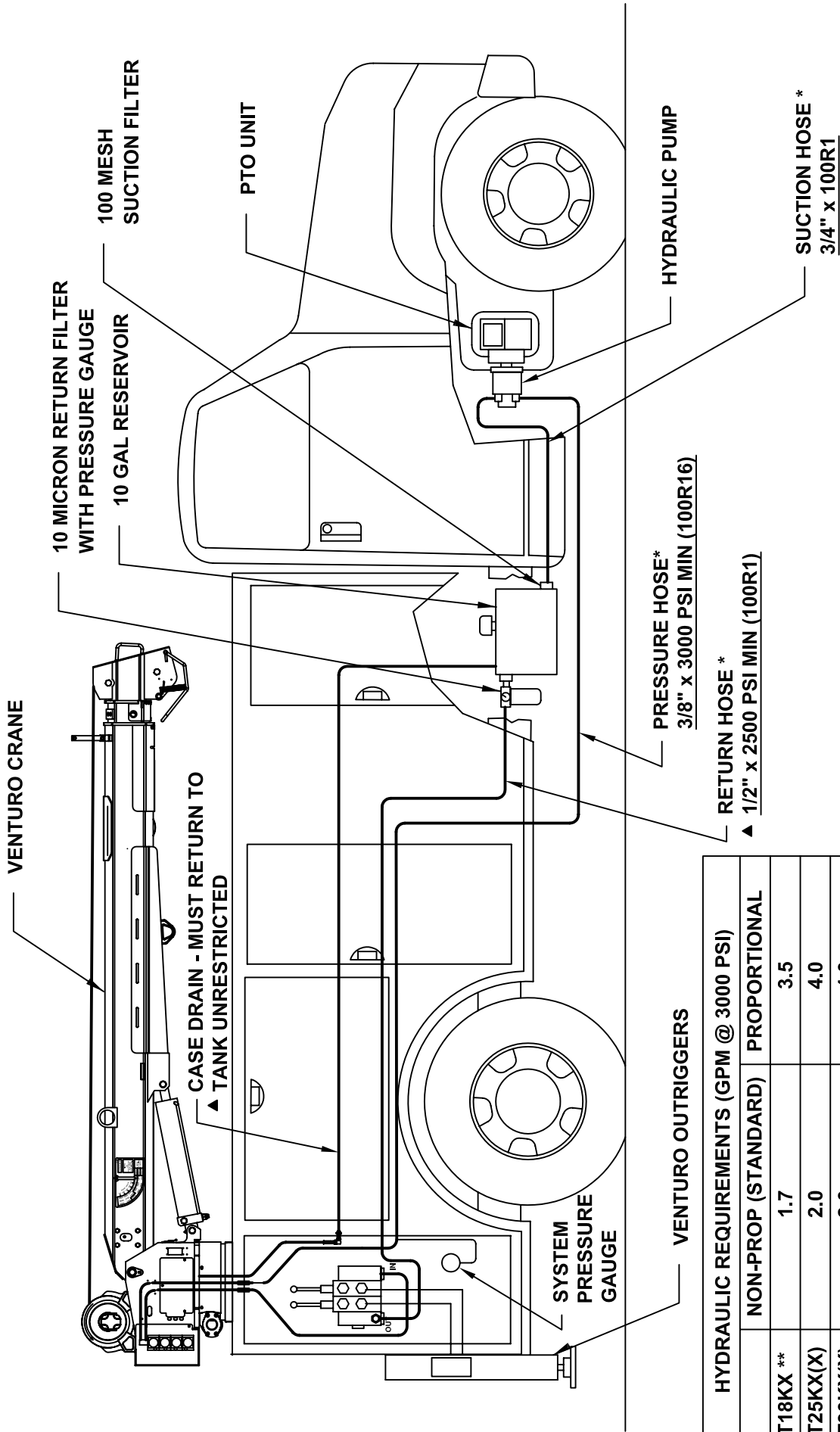


This Venturo crane is shipped with the rotation orientation as shown above. To change the orientation rotate crane base prior to mounting to suit your application.

19295 10 GALLON HYDRAULIC TANK




 VENTURO [®] MANUFACTURING, INC. CINCINNATI, OHIO	TITLE	10 GALLON HYDRAULIC TANK	
	DATE	3-17-06	SECTION -
	SUPERSEDES	-	22826

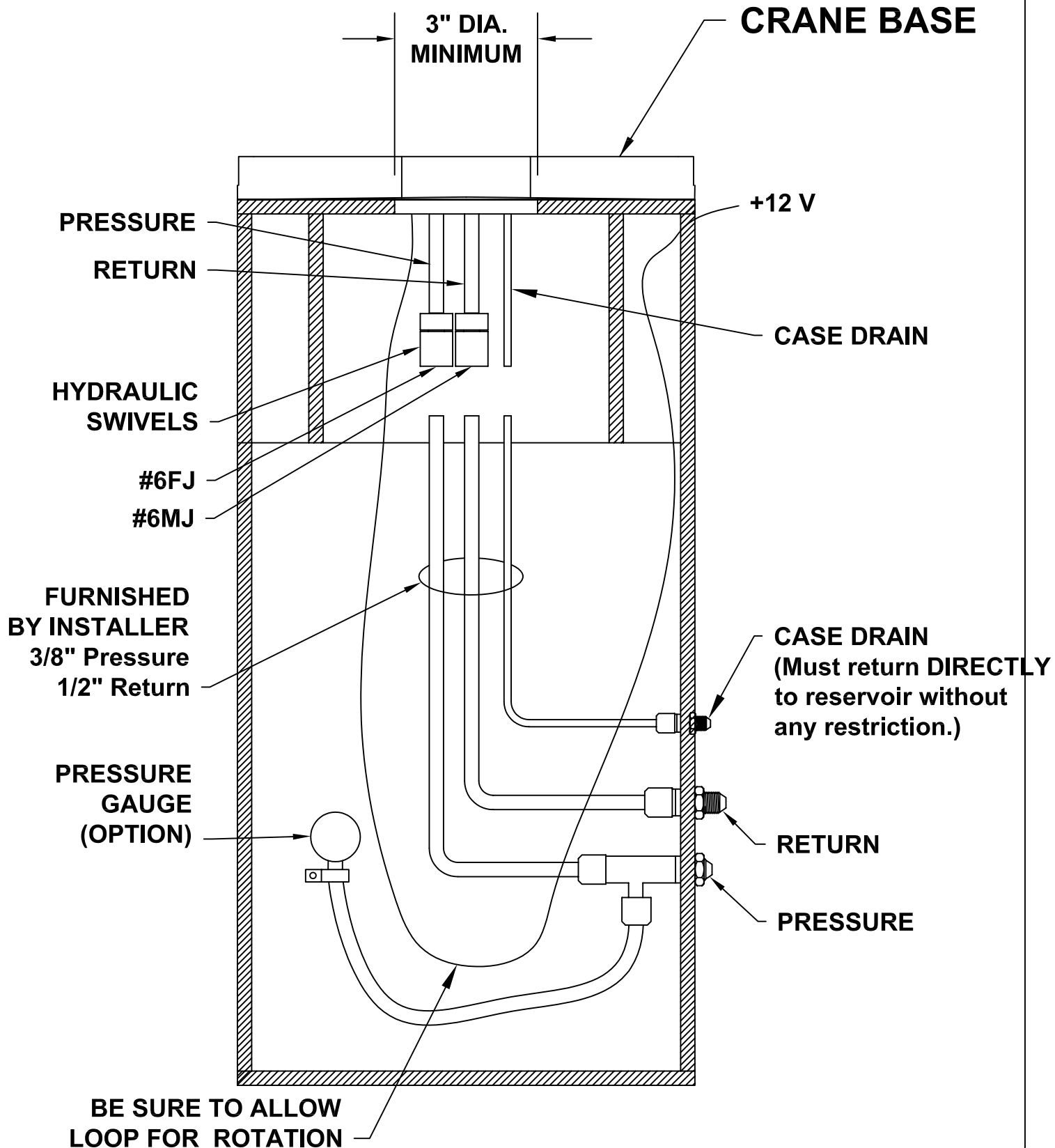


HYDRAULIC REQUIREMENTS (GPM @ 3000 PSI)		
	NON-PROP (STANDARD)	PROPORTIONAL
HT18KX **	1.7	3.5
HT25KX(X)	2.0	4.0
HT30KX(X)	2.0	4.0

* HOSES OR FITTINGS BETWEEN PUMP, RESERVOIR, AND CRANE NOT INCLUDED.
 ** NO LONGER IN PRODUCTION

	TITLE INSTALLATION DWG PTO INST - HT18 / 25 / 30	DATE 7-12-11L SUPERSEDES 12-14-09K	SECTION C200
PTO INST - HT18 / 25 / 30			I19232

CRANE AND HOSE INSTALLATION HT18 / 25 / 30



WIRE ROPE INSTALLATION

STEP 1: UNWIND COIL OF WIRE ROPE BY 'ROLLING' ALONG THE FLOOR. THIS WILL PREVENT 'KINKING'.

STEP 2: INSERT WIRE ROPE END THROUGH ANTI-TWO-BLOCK WEIGHT.

STEP 3: INSERT WIRE ROPE END INTO POCKET OPENING ON WINCH AND THROUGH WEDGE POCKET AS SHOWN IN (FIG 1).

CAUTION: IF THE WIRE ROPE IS NOT INSTALLED FOR THE CORRECT DRUM ROTATION, THE WINCH BRAKE VALVE WILL NOT HOLD THE LOAD.

CAUTION: THERE MUST ALWAYS BE AT LEAST (3) TURNS OF WIRE ROPE ON THE WINCH DRUM WHILE UNDER LOAD.

NOTE: SOME WINCHES WILL BE SUPPLIED WITH A HEX NUT IN LIEU OF A WEDGE FOR INSTALLING THE WIRE ROPE.

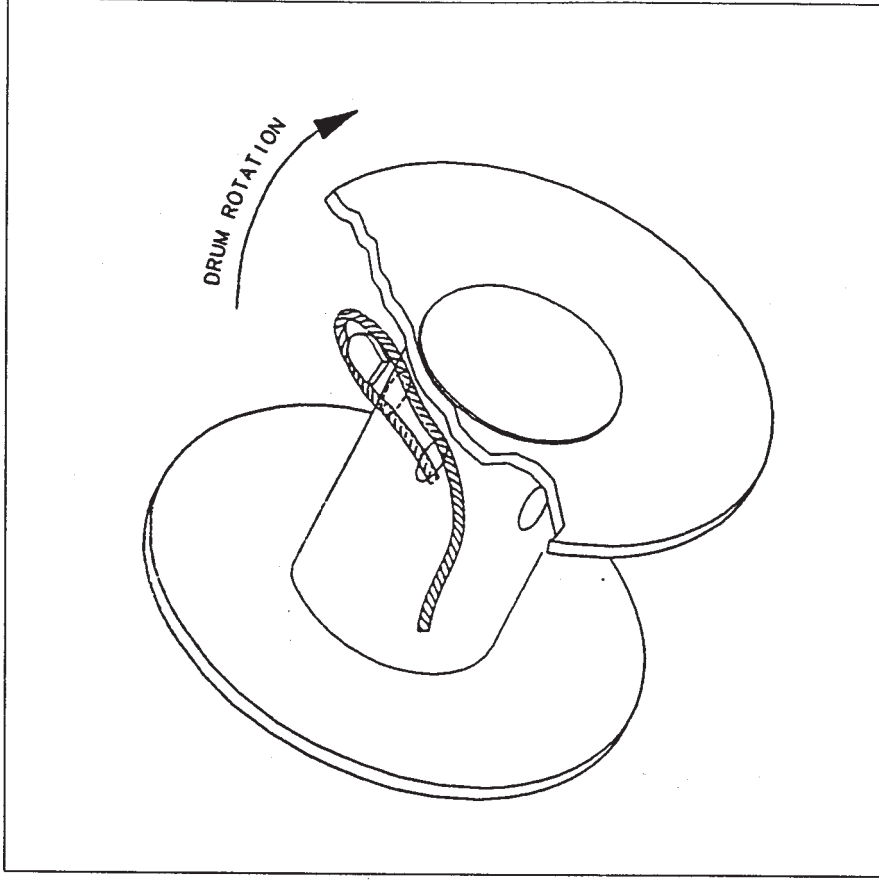
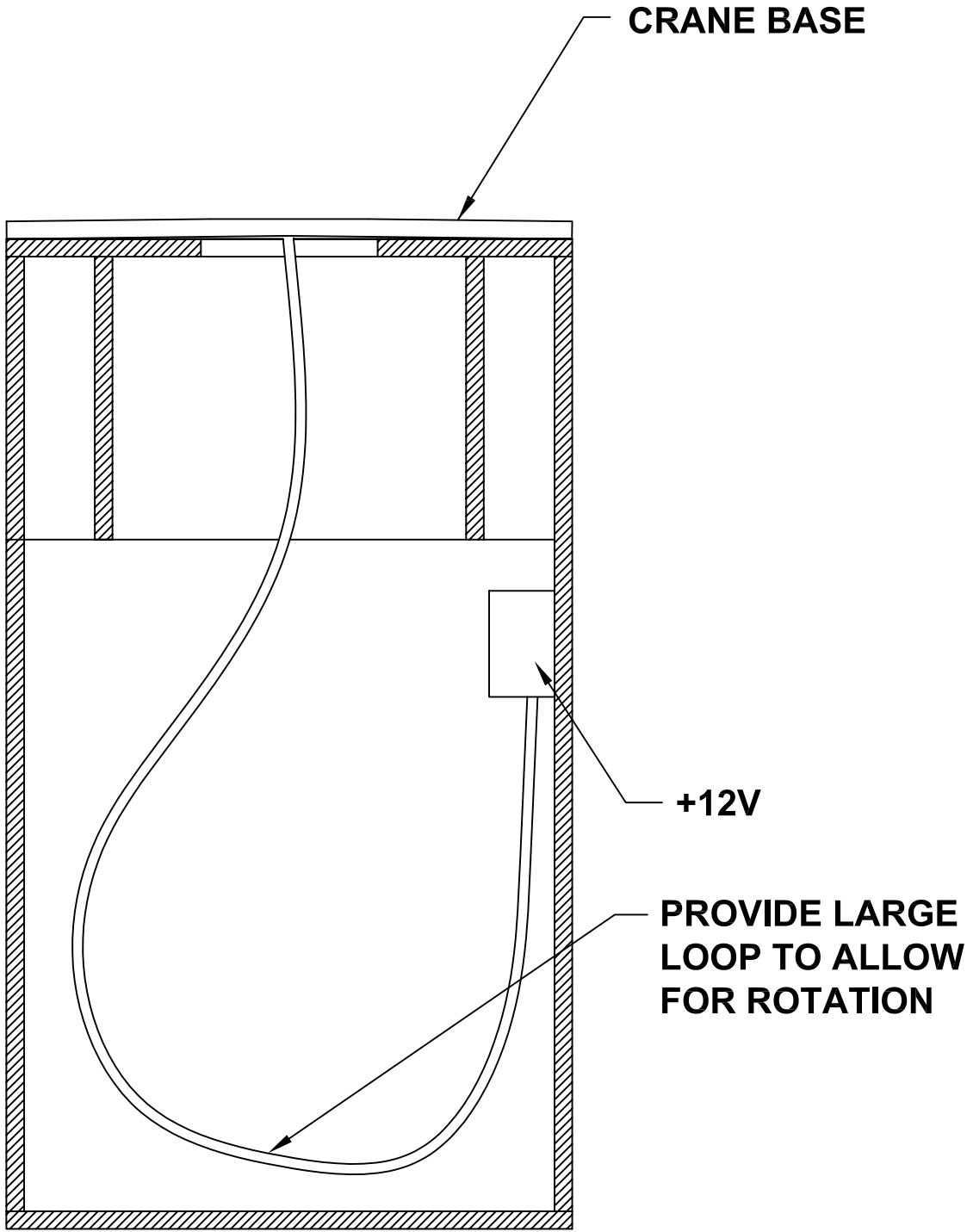


FIG 1

VENTURO MANUFACTURING, INC. CINCINNATI, OHIO	TITLE	WIRE ROPE INSTALLATION DRAWING	DATE	8-18-09G	SECTION	C200
		ET8K AND LARGER CRANES	SUPERCEDES	2-26-08F		22245

IN-COMPARTMENT CONTROLS INSTALLATION HT25 / 30 ▲

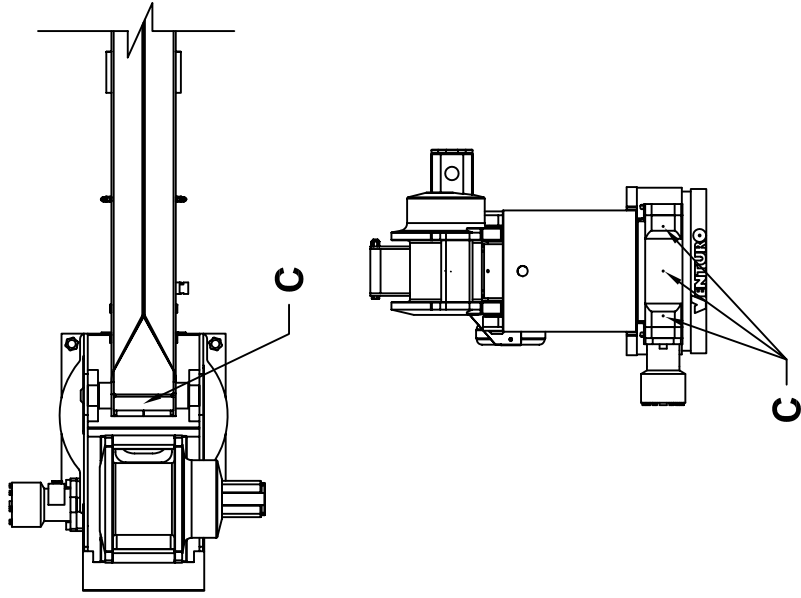
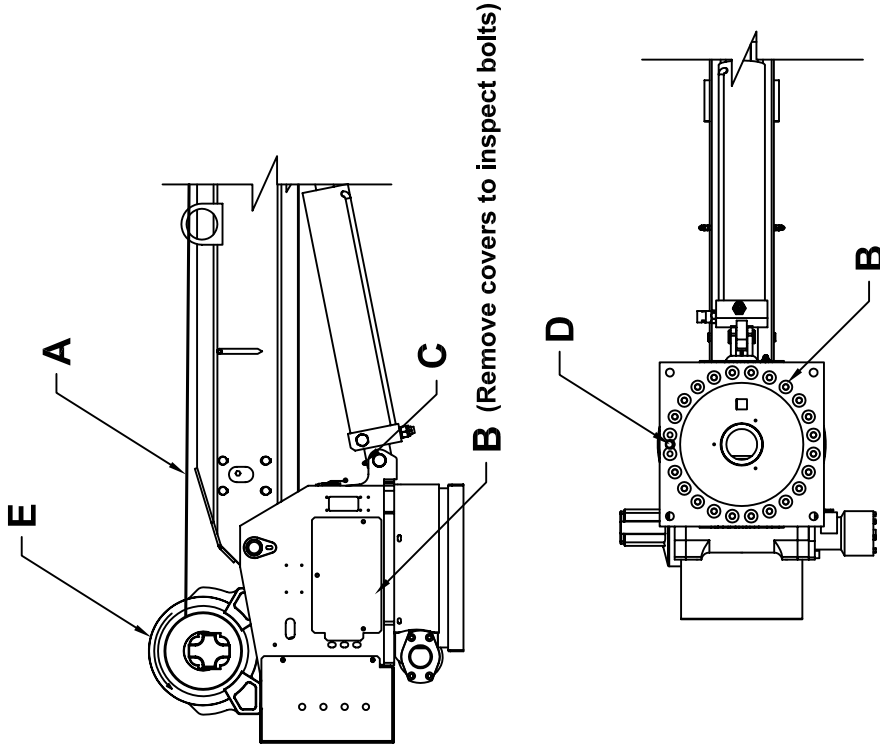


SECTION 300


MAINTENANCE

&

SERVICE



Location	Service Required	Note	Service Interval
A	Check Wire Rope and Hook	Rope should be free of kinks and fraying	Prior to Use (Daily)
B	Check Torque of bolts	Bolts should be torqued to 60 ft-lbs	Time of Truck Service
C	Grease Fitting with Pressure Grease Gun	Use Lithium Based Grease	Time of Truck Service
D	Grease Fitting with Pressure Grease Gun	Use Lithium Based Grease	Every 6 months
E	Check Winch gearbox oil level	SAE 90 Gear Lubricant	Every 6 months

 VENTURO MANUFACTURING, INC. CINCINNATI, OHIO	TITLE	LUBRICATION & MAINTENANCE CHART	DATE	1-23-10A	SECTION	-
		HT25 / 30	SUPERSEDES	10-23-09		21956

MAINTENANCE

The crane requires only periodic lubrication. As a standard procedure, this can be done at the time the vehicle is serviced.

GENERAL

Inspect wire rope for any evidence of kinks or fraying. Ensure that lifting hook of wire rope shows no evidence of damage and is functioning normally.

Inspect headache ball ("snatch block") for any signs of damage or excessive wear.

Service all grease fitting locations.

Inspect hydraulic hoses and hydraulic fittings for hydraulic leaks.

Inspect electrical connections for any looseness or corrosion.

Inspect bolts and verify all are tight, paying particular attention to winch, rotation system, and mounting base bolts.

Inspect all pins and snap rings for proper fit and function.

Inspect sheaves for excessive wear or play.

WINCH

Perform a basic inspection of the winch with each use, monitoring for unusual noise or hydraulic leaks.

The winch planetary gearbox lube (SAE 90) should be maintained at the level plug (final base relief valve port) which is approximately half-full point.

To ensure optimal winch performance, the following oil change schedule should be followed:

Initial Change - after the initial 100 hours of operation or two months.

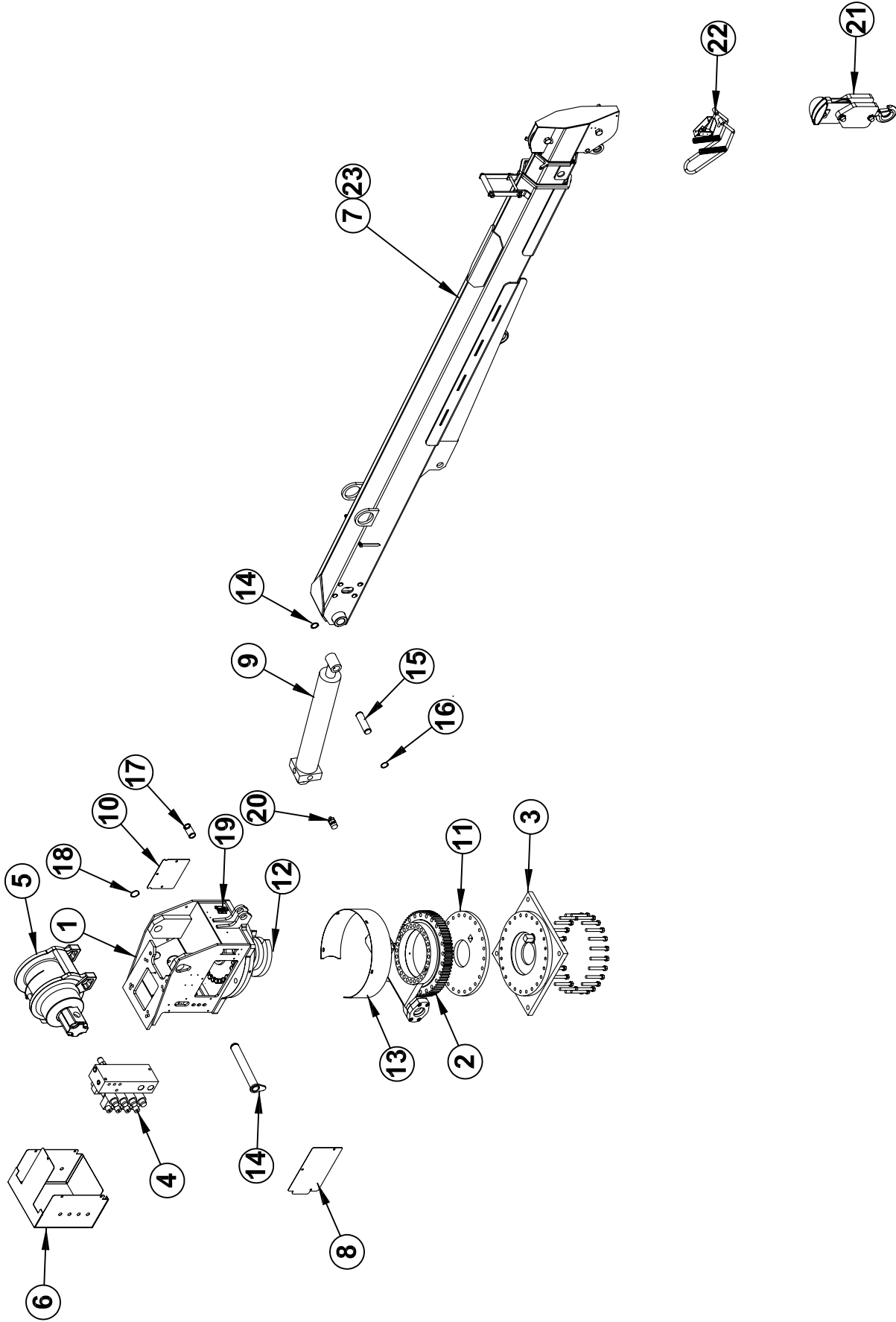
Periodic Change - after every 1000 hours of operation or two years.

SECTION 400

PARTS



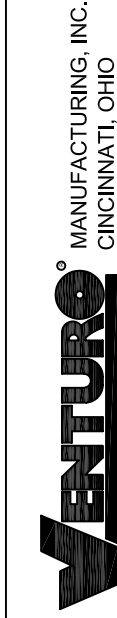
REPLACEMENT PARTS LIST - REF 23207



 VENTURO [®] MANUFACTURING, INC. CINCINNATI, OHIO	TITLE	REPLACEMENT PARTS	
		HT25KX(X)	
SECTION	C400	DATE	3-7-10
		SUPERSEDES	-
			23206

23	1	27198	BOOM FINAL ASSEMBLY (KX - SINGLE STAGE)
22	1	27620	ANTI-2-BLOCK ASSEMBLY
21	1	27667	SNATCH BLOCK ASSEMBLY - 6000 LB
20	1	17460-2400-21	OVERLOAD PRESSURE SWITCH
19	1	19904	BOOM SHUTOFF SWITCH ASSEMBLY
18	1	!SRNG-150	RETAINING RING - 1-1/2" SHAFT DIA.
17	1	18762	PIVOT PIN - ELEVATION CYLINDER
16	4	!SRNG-125	RETAINING RING - 1-1/4" SHAFT DIA.
15	1	18761	PIVOT PIN - ELEVATION CYLINDER
14	1	21012	PIVOT PIN - MAIN BOOM PIVOT
13	1	27186	ROTATION GEAR GUARD
12	1	27557	ROTATION LIMITING RING
11	1	27520h	SPACER
10	1	23156	PLATE, COVER
9	1	21752	ELEVATION CYLINDER
8	1	27000	HOUSING SIDE COVER
7	1	21470	BOOM FINAL ASSEMBLY (KXX - DUAL STAGE)
6	1	27315	CRANE REAR COVER
5	1	19814	HYDRAULIC WINCH - HT25KX
4	1	22501	VALVE MANIFOLD
3	1	27520m-1	BASE WELDED ASSEMBLY
2	1	▲21418 / 21419	SLEWING RING - NON-PROP (21418) & PROP (21419)
1	1	27521	UPPER HOUSING WELDED ASSEMBLY
ITEM NO.	QTY.	PART NUMBER	DESCRIPTION

REPLACEMENT PARTS DRAWING - REF. 23206



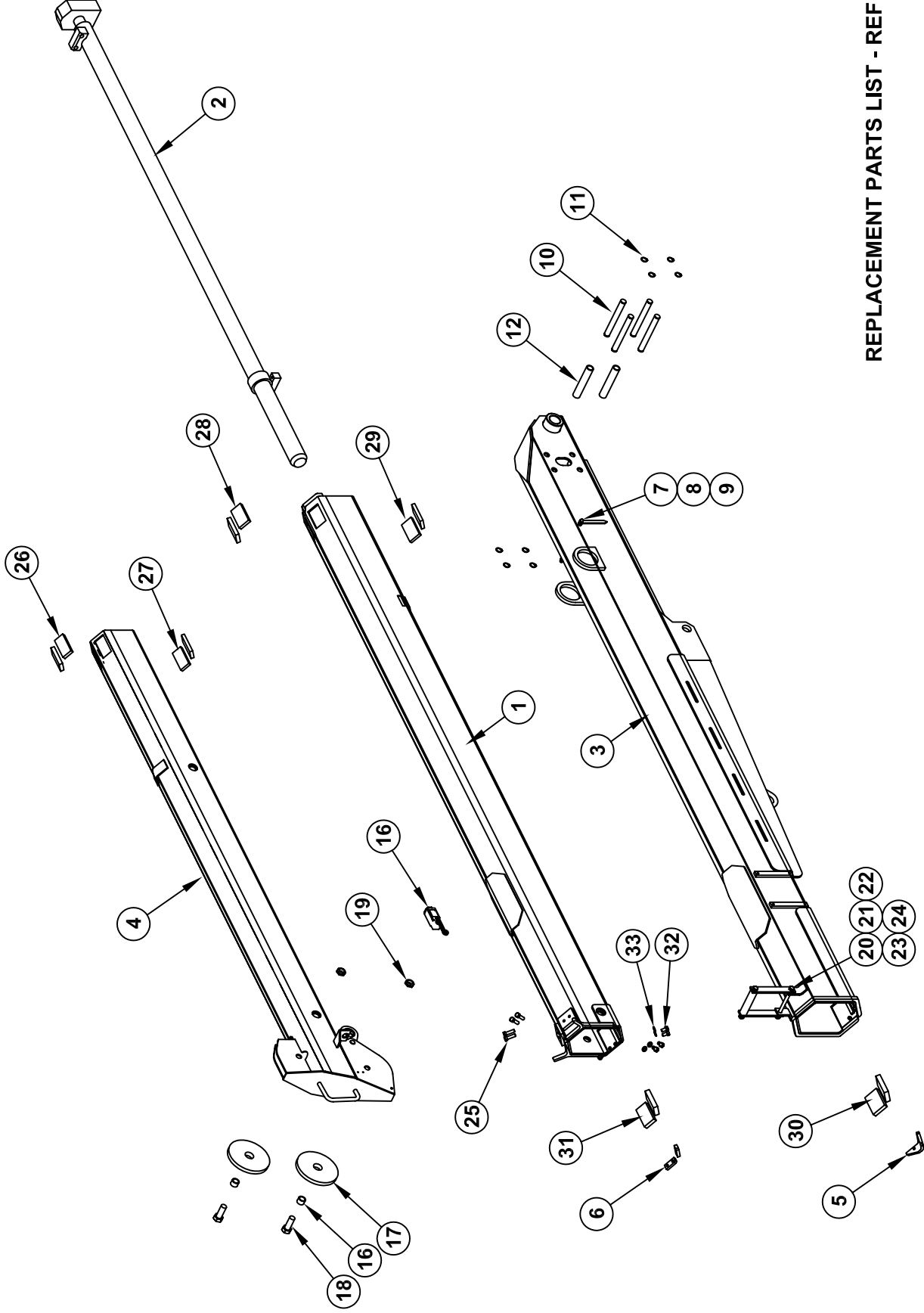
TITLE
REPLACEMENT PARTS

HT25

DATE
11-30-10B
SUPERSEDES
4-26-10A

SECTION
C400
23207

27198 BOOM REPLACEMENT PARTS



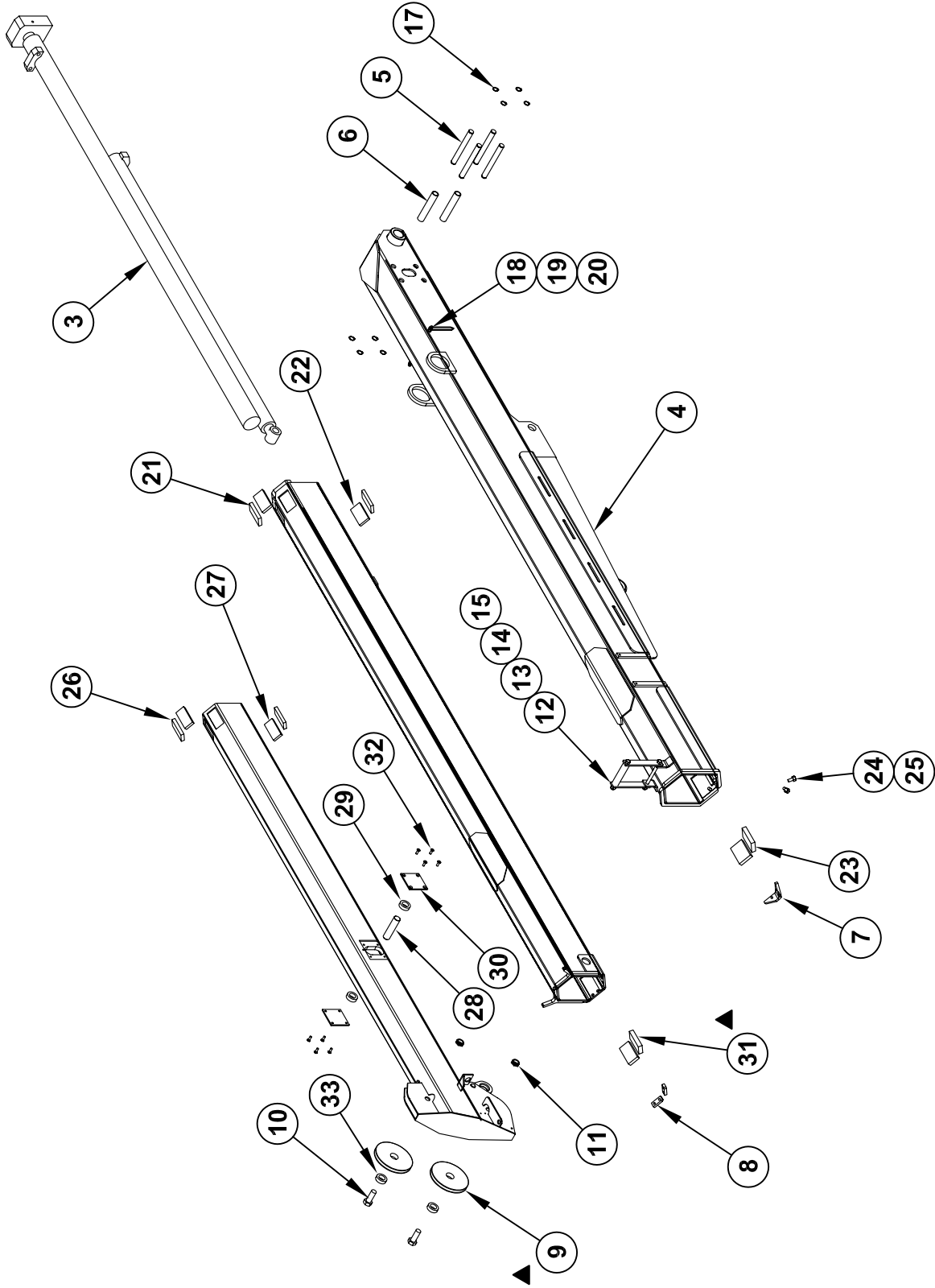
REPLACEMENT PARTS LIST - REF 21199

TITLE	DATE	SECTION
27198 BOOM REPLACEMENT PARTS DWG	3-3-10A	C400
ET/HT30KX	SUPERSEDES 12-11-08	21198

ITEM NO.	EXPLODE/QTY.	PART NUMBER	DESCRIPTION
33	6	!LWSH-038	LOCK WASHER 3/8"
32	6	!HHC03816063	HEX HEAD CAP SCREW 3/8-16 X 5/8 LG
31	2	23217-10	UHMW PAD
30	2	23217-3	UHMW PAD
29	2	23217-9	UHMW PAD
28	2	23217-8	UHMW PAD
27	2	23217-7	UHMW PAD
26	2	23217-6	UHMW PAD
25	4	!CAC03816075	C-SINK CAP SCREW 3/8-16 X 3/4 LG
24	2	!LNUT-04414	NYLON INSERT LOCK NUT - 7/16-14
23	1	21560	ROLLER,UHMW GUIDE
22	1	21936	FLAT,MOUNT;WIRE ROPE GUIDE
21	1	!HHC04414550	HHCS - 7/16-14 X 5-1/2 LG
20	1	21935	WIRE-ROPE GUIDE WELDED
19	2	!LNUT-07510	LOCKNUT 3/4-10
18	2	17059-6	SHEAVE AXLE 3/4 X 2 W/ 1" SHANK
17	2	27001	SHEAVE - BOOM
16	1	23924-1	SPACER - SHEAVE
15	-	-	-
14	-	-	-
13	-	-	-
12	2	21498	EXTENSION CYLINDER ROLLER
11	8	!SRNG-075	RETAINING RING - 3/4" SHAFT DIA.
10	4	21497	THRUST PIN - EXTENSION CYLINDER
9	2	!ANUT-02520S	ACORN NUT 1/4-20 STAINLESS
8	2	13459-2	BOOM ARROW 4-7/16 LONG
7	2	22490	SPACER, BOOM ARROW 1/2" O.D.
6	2	23119	BEARING RETAINING BLOCK
5	1	23183	V-BLOCK SLIDER
4	1	27110	TERTIARY BOOM WELDED ASSEMBLY
3	1	27201	PRIMARY BOOM WELDED ASSEMBLY
2	1	20061	EXTENSION CYLINDER - HOLLOW ROD
1	1	27108	SECONDARY BOOM WELDED ASSEMBLY
			DESCRIPTION

REPLACEMENT PARTS
DRAWING - REF 21198

21470 BOOM REPLACEMENT PARTS DRAWING



VENTURO MANUFACTURING, INC. CINCINNATI, OHIO	TITLE	21470 BOOM REPLACEMENT PARTS DWG	SECTION	C400
	DATE	4-27-11B	DATE	4-27-11B
		ET/HT30KXX	SUPERSEDES	3-2-10A
				21098

33	2	23924-1	SPACER - SHEAVE
32	8	!CACSO2520063-N	CNTR SNK ALLEN HEAD CAP SCREW 1/4-20 X 5/8 LG W/ PATCH
31	2	23217-10	UHMW GUIDE PAD
30	2	23116	PIN BLOCK REINFORCING
29	2	21428	BUSHING
28	1	21941	EXTENSION CYLINDER PIN
27	2	23217-7	UHMW GUIDE PAD
26	2	23217-6	UHMW GUIDE PAD
25	2	!LWSH-038	LOCK WASHER 3/8"
24	2	!HHCS03816075	HEX HEAD CAP SCREW - 3/8-16 X 3/4 LONG
23	2	23217-3	UHMW GUIDE PAD
22	2	23217-9	UHMW GUIDE PAD
21	2	23217-8	UHMW GUIDE PAD
20	2	!ANUT-02520S	ACORN NUT 1/4-20 STAINLESS
19	2	13459-2	BOOM ARROW 4-7/16 LONG
18	2	22490	SPACER, BOOM ARROW 1/2" O.D.
17	8	!SRNG-075	RETAINING RING - 3/4" SHAFT DIA.
16	1	!HHCS04414550	HEX HEAD CAP SCREW - 7/16-14 X 5-1/2 LG
15	2	!LNUT-04414	NYLON INSERT LOCK NUT - 7/16-14
14	1	21560	ROLLER,UHMW GUIDE
13	1	21936	FLAT.MOUNT;WIRE ROPE GUIDE
12	1	21935	WIRE-ROPE GUIDE WELDED
11	2	!LNUT-07510	LOCKNUT 3/4-10
10	2	17059-6	SHEAVE AXLE 3/4 X 2 W/ 1" SHANK
9	2	27001	SHEAVE - BOOM
8	2	23119	BEARING RETAINING BLOCK
7	1	23183	V-BLOCK SLIDER
6	2	21498	EXTENSION CYLINDER ROLLER
5	4	21497	THRUST PIN - EXTENSION CYLINDER
4	1	21472	PRIMARY BOOM WELDED ASSEMBLY
3	1	21753	EXTENSION CYLINDER
2	1	21476	TERTIARY BOOM ASSEMBLY
1	1	21474	SECONDARY BOOM WELDED ASSEMBLY
ITEM NO.	QTY.	PART NUMBER	DESCRIPTION



TITLE
21470 BOOM PARTS LIST

ET/HT30KXX

DATE

4-27-11C

SUPERSEDES

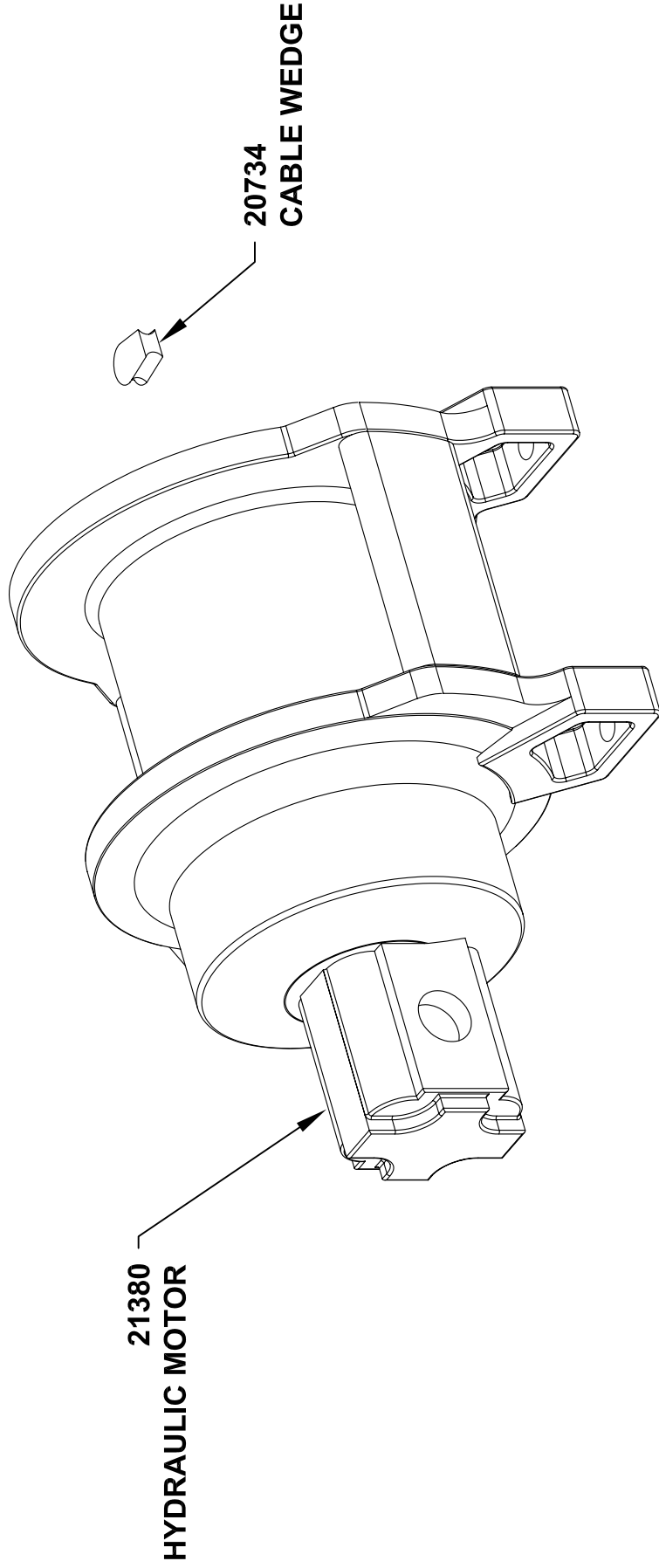
3-2-10B

SECTION

C400

21099

REPLACEMENT PARTS 19814 WINCH



NOT SHOW ON DRAWING:
21381 - WINCH SEAL KIT
21382 - MOTOR SEAL KIT



TITLE
REPLACEMENT PARTS DRAWING

HT25/30K(X)

DATE
3-10-06A

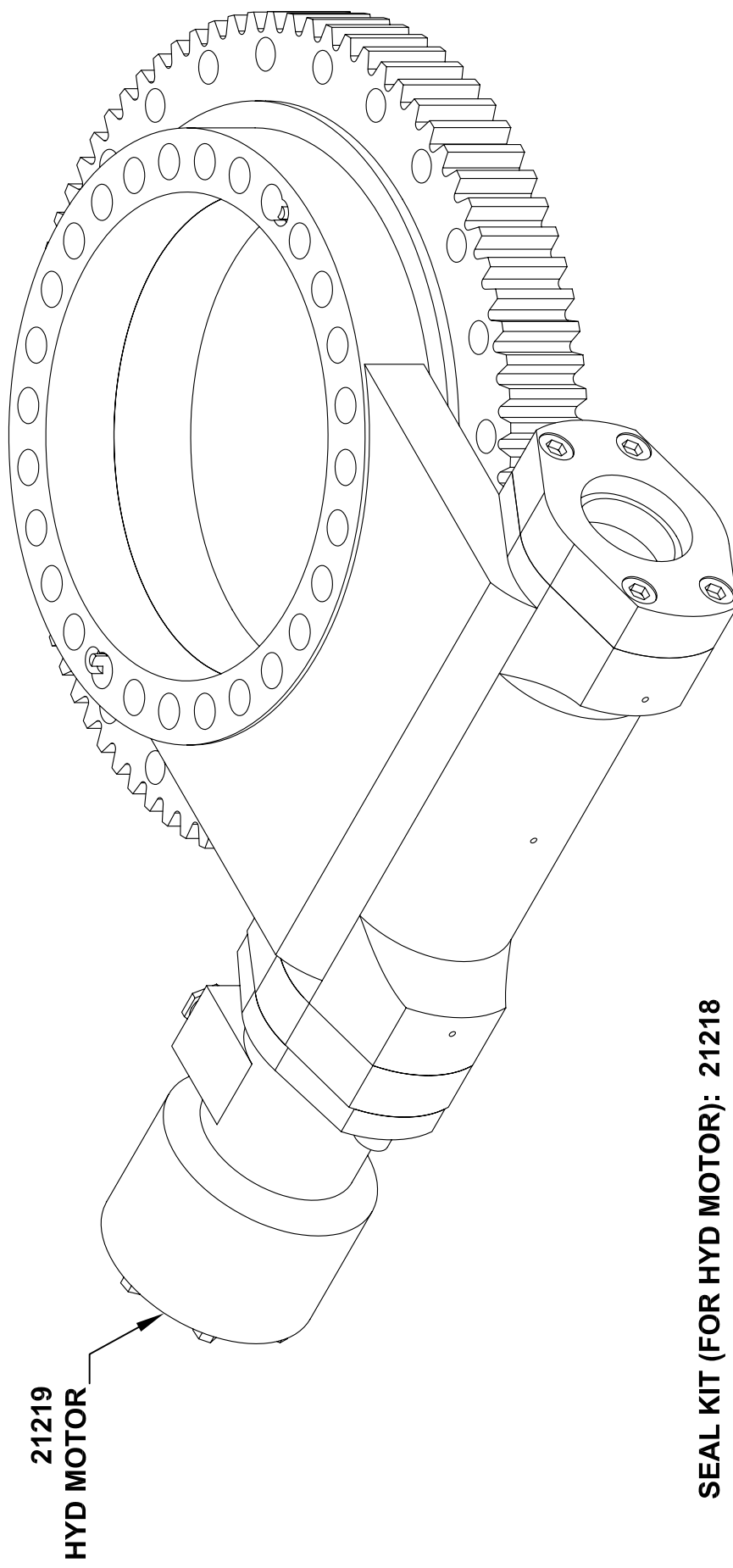
SUPERSEDES
10-21-05

SECTION

-


21379

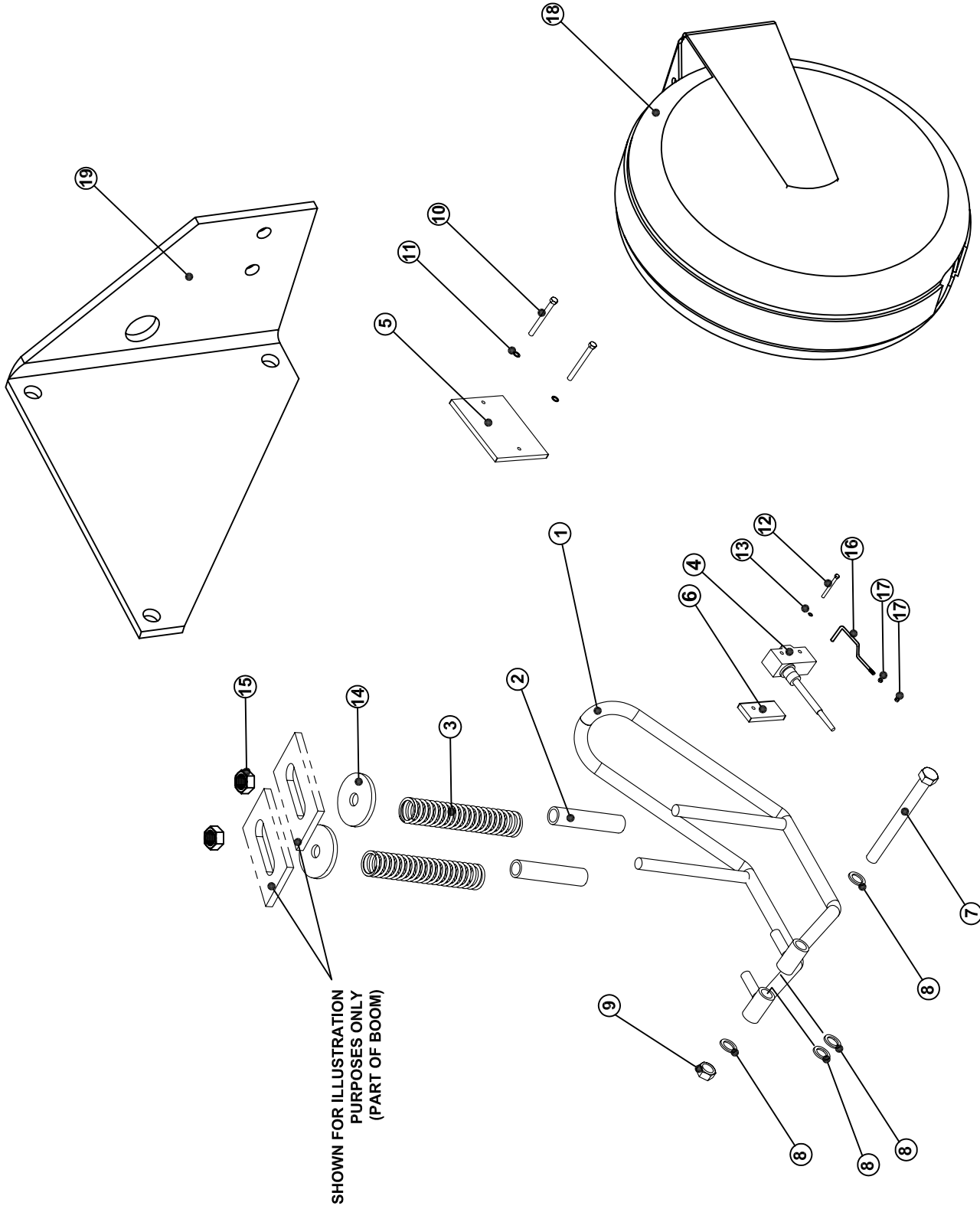
21419 ROTATION SYSTEM REPLACEMENT PARTS



21219
HYD MOTOR

SEAL KIT (FOR HYD MOTOR): 21218

 VENTURO MANUFACTURING, INC. CINCINNATI, OHIO	TITLE	21419 REPLACEMENT PARTS	
	DATE	1-20-10	SECTION
	SUPERSEDES	-	25203



19	1	27583	MOUNTING BRACKET - CORD REEL
18	1	27310	CORD REEL
17	2	!LNUT-#0440	LOCKNUT W/ NYLON INSERT - 4-40
16	1	27624	ROD ASSY. ADJUSTABLE A2B
15	2	!LNUT-04414	LOCKNUT W/ NYLON INSERT - 7/16-14
14	2	!FWSH-050	FLAT WASHER - 1/2" USS
13	1	!LWSH-#06-STAR	EXTERNAL STAR LOCK WASHER - #06
12	1	!PHCS#0632100	PAN HD CAP SCREW - #6-32 x 1
11	2	!LWSH-#10	LOCK WASHER - #10
10	2	!PHCS#1024125	PAN HD CAP SCREW - #10-24 x 1-1/4
9	1	!JNUT-04414N	HEX JAM LOCKNUT - 7/16-14
8	4	!FWSH-044SAE	FLAT WASHER - 7/16 SAE
7	1	!HHCS04414450	HEX HD CAP SCREW - 7/16-14 x 4-1/2
6	1	27696	BASE - NEOPRENE
5	1	27698	COVER PLATE
4	1	19376	ANTI-TWO BLOCK SWITCH
3	2	27586	SPRING
2	2	27579b	SPRING LOCATING TUBE
1	1	21870	ANTI - TWO - BLOCK CAGE ASSEMBLY
ITEM NO.	EXPLODED/QTY.	PART NUMBER	DESCRIPTION



TITLE
ANTI-TWO-BLOCK SYSTEM

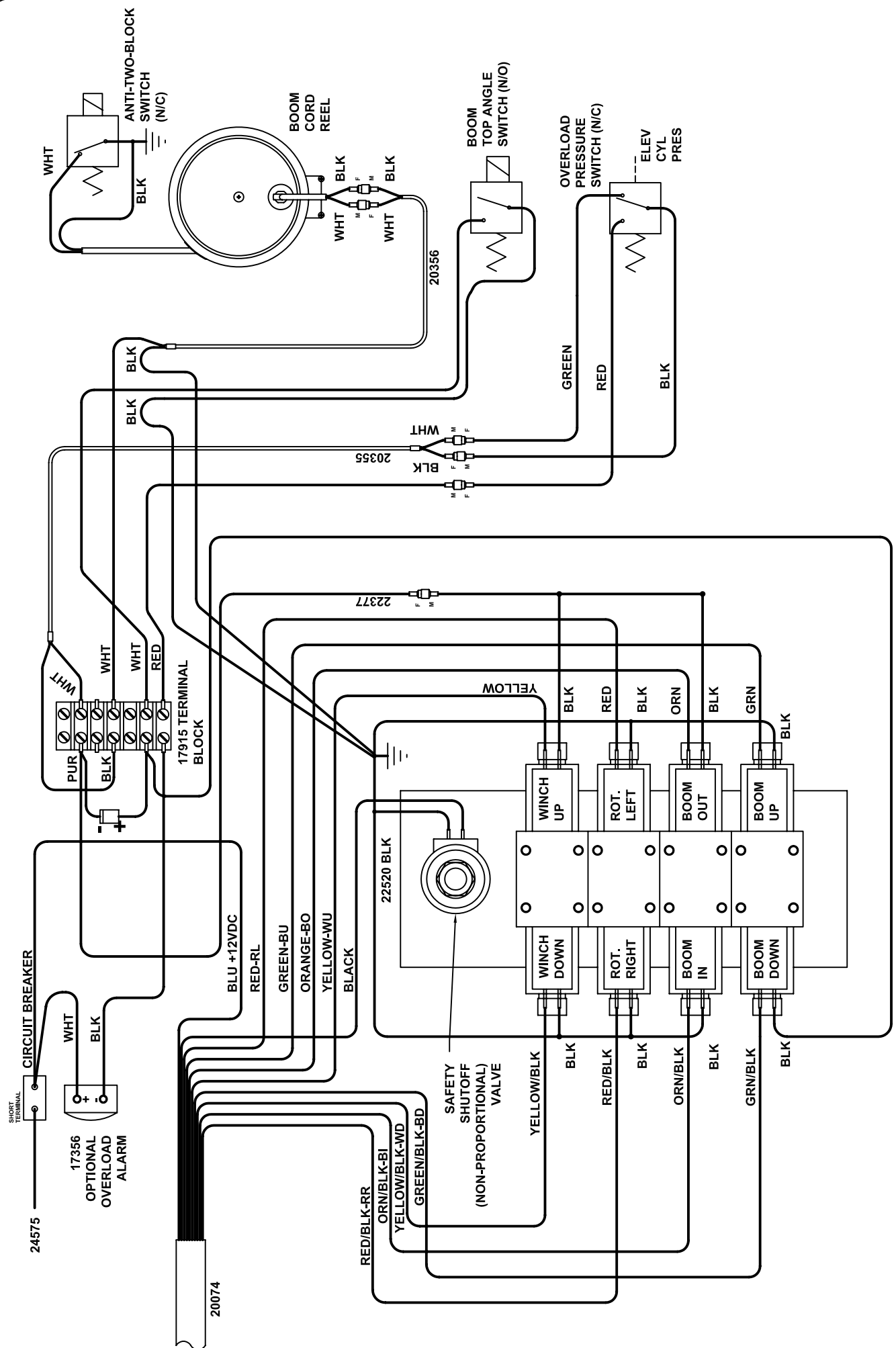
ET25/30/36 & HT25/30


DATE
3-4-10

SUPERSEDES
-

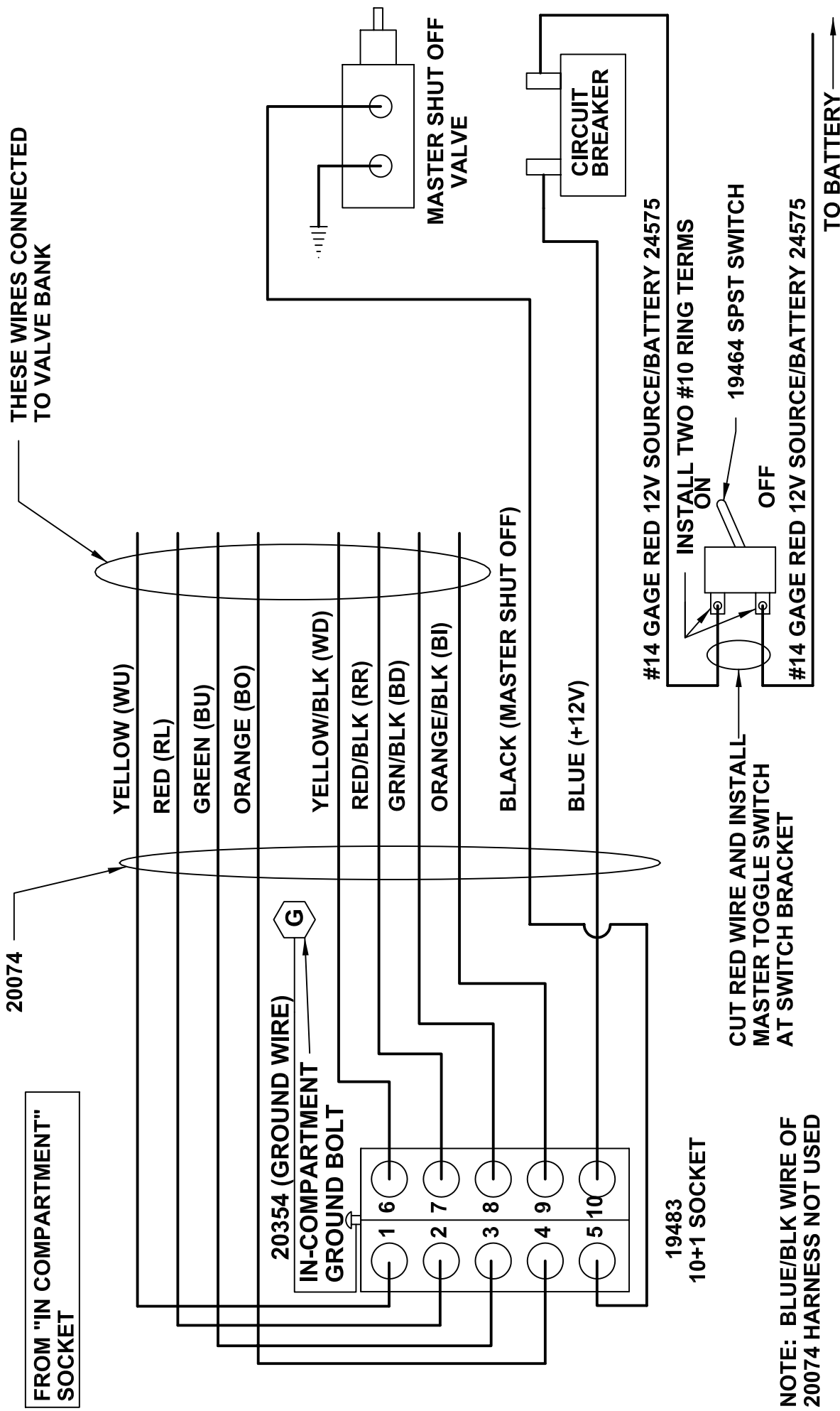
SECTION
C400

21881



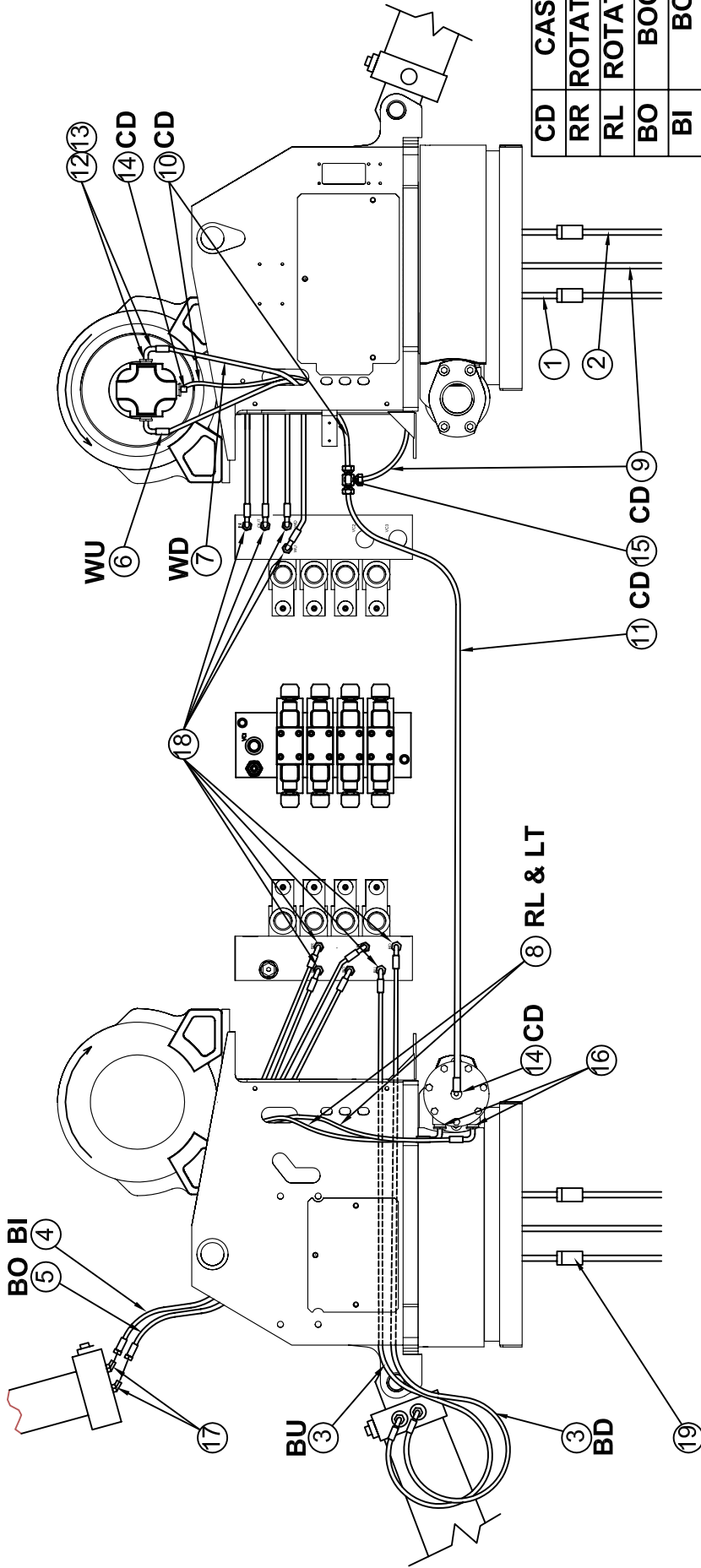
 MANUFACTURING, INC. CINCINNATI, OHIO	TITLE WIRING DIAGRAM	
	DATE 3-4-10D	SECTION C400
HT25/30KX - 4 FUNCTION STD		SUPERSEDES 6-2-06C
		20360

NON-PROPORTIONAL IN-COMPARTMENT CONTROLS




VENTURO MANUFACTURING, INC. CINCINNATI, OHIO	TITLE	NON-PROP W/ IN-COMPARTMENT CTRLS	
	SECTION	-	
	DATE	3-4-10G	
	SUPERSEDES	4-12-05F	
		HT CRANES	
		20350	

REPLACEMENT PARTS LIST REF. 21252



CD	CASE DRAIN
RR	ROTATION RIGHT
RL	ROTATION LEFT
BO	BOOM OUT
BI	BOOM IN
BU	BOOM UP
BD	BOOM DOWN
PR	PRESSURE
RE	RETURN
WU	WINCH UP
WD	WINCH DOWN
WR	WINCH RELIEF

 <p>MANUFACTURING, INC. CINCINNATI, OHIO</p>	TITLE	REPLACEMENT PARTS DRAWING	DATE	12-15-09	SECTION	C400
		HT25/30KX HYD. COMPONENTS	SUPERSEDES	-		
						21251

HYDRAULIC SYSTEM COMPONENTS - HT25/30KX CRANES REPLACEMENT PARTS LIST

ITEM	PART NUMBER	DESCRIPTION
1	21764	HOSE ASSY. PRESSURE (CENTER OF CRANE TO VALVE BLOCK)
2	21763	HOSE ASSY. RETURN (CENTER OF CRANE TO VALVE BLOCK)
3	21761	HOSE ASSY. BOOM UP/DOWN
4	21765	HOSE ASSY. BOOM IN
5	21766	HOSE ASSY. BOOM OUT
6	21767	HOSE ASSY. WINCH UP
7	21768	HOSE ASSY. WINCH DOWN
8	21771	HOSE ASSY. ROT. RIGHT & LEFT
9	22903	HOSE ASSY. CASE DRAIN (96" LONG)
10	22952	HOSE ASSY. CASE DRAIN (13" LONG)
11	22953	HOSE ASSY. CASE DRAIN (30" LONG)
12	H6410-1608	HYD BUSHING 16MO - 8FO (WINCH MOTOR)
13	FF6801-0608	HYD ELBOW 6OFS - 8MO 90° (WINCH MOTOR)
14	H6801-0404	HYD ELBOW 4MJ - 4MO (WINCH & ROTATION MOTOR CASE DRAIN)
15	H2603-040404	HYD TEE 04MJ - 04MJ - 04MJ (JOINS WINCH & ROT MOTOR CASE DRAIN)
16	FF6400-0610	O-RING CONNECTOR 6OFS - 10MO (ROTATION MOTOR)
17	FF6802-0606	ADAPTER 6OFS - 6MO 45° (EXTENSION CYLINDER)
18	FF6400-0606	O-RING CONNECTOR 6OFS - 6MO (VALVE PORTS - WU/WD, IN/OUT, ROT RT/LT, BU/BD)
19	20684	LIVE CONTINUOUS HYDRAULIC SWIVEL
	-	-

REPLACEMENT PARTS DWG REF 21251



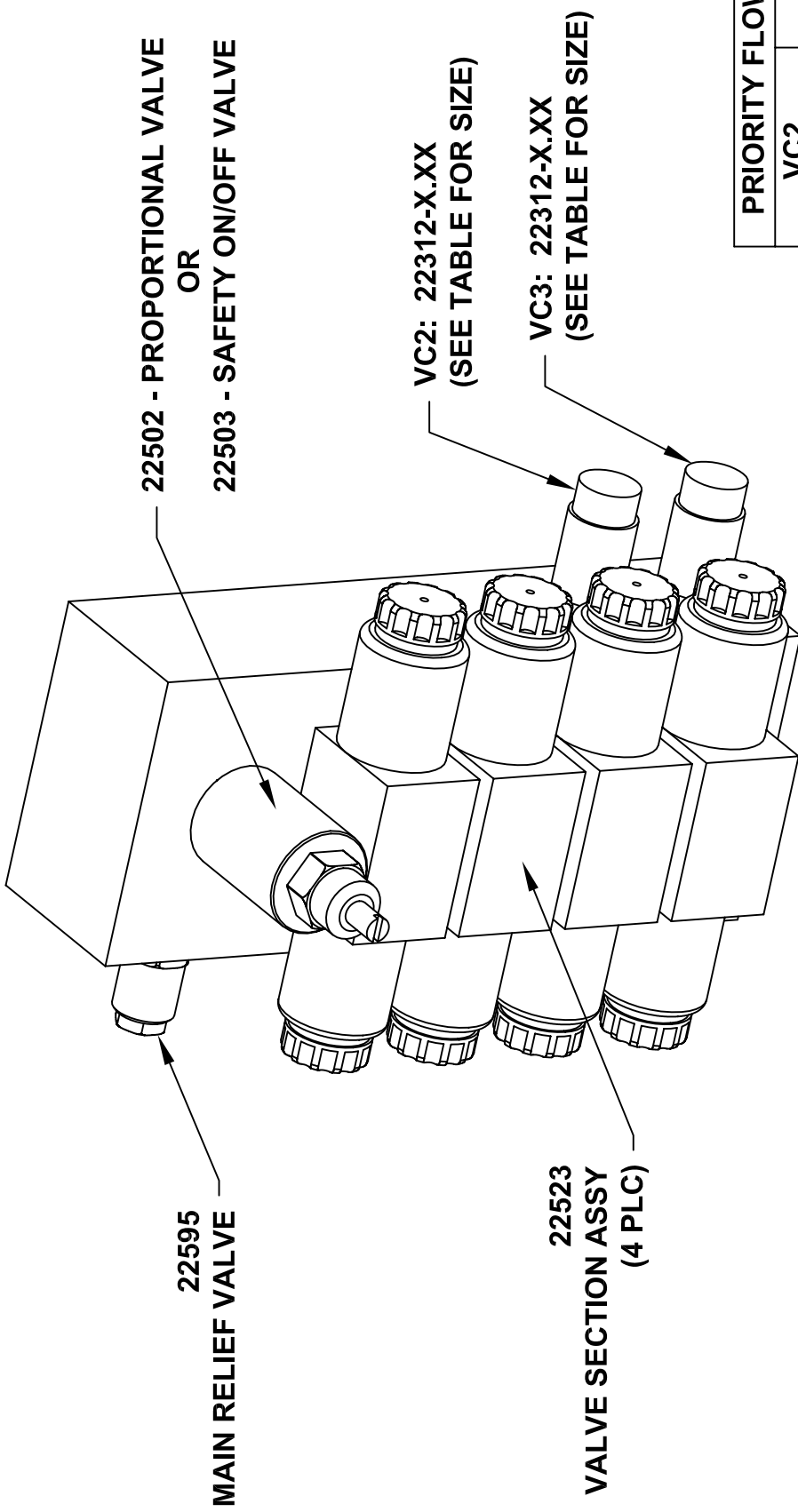
MFG., INC.
CINCINNATI, OHIO

TITLE	REPL. PARTS LIST
	HT25/30KX

DATE	4-19-10A
SUPERCEDES	12-15-09

SECTION	C400
	21252

22501 HYDRAULIC VALVE MANIFOLD REPLACEMENT PARTS



22502 - PROPORTIONAL VALVE
OR
22503 - SAFETY ON/OFF VALVE

VC2: 22312-X.XX
(SEE TABLE FOR SIZE)

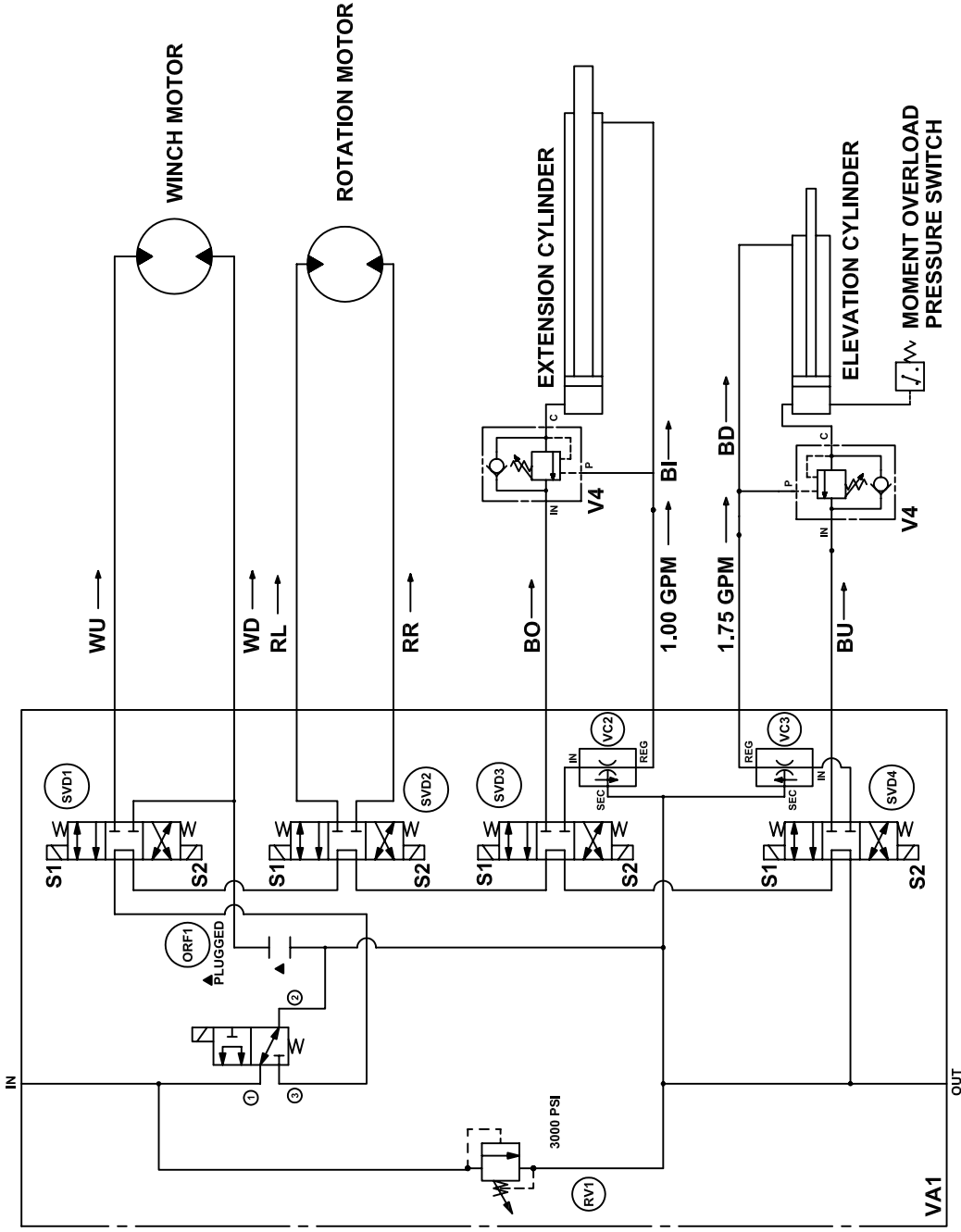
VC3: 22312-X.XX
(SEE TABLE FOR SIZE)

22595
MAIN RELIEF VALVE

22523
VALVE SECTION ASSY
(4 PLC)

PRIORITY FLOW VALVE		
VC2	VC3	
EXTENSION	ELEVATION	
HT25/30 NON-PROP	1.00	1.75 ▲
HT25/30 PROP	1.75	3.00 ▲
HT40/50 NON-PROP	1.25	2.25

 VENTURO MANUFACTURING, INC. CINCINNATI, OHIO	TITLE	22501 REPLACEMENT PARTS		
	DATE	3-4-10A	SECTION	-
	SUPERSEDES	9-17-09		22939
		HT25/30/40/50		



- VA1 CONTROL VALVE ASSY
- RV1 INLET RELIEF VALVE (3000 PSI)
- SVD1 3 POSITION-4 WAY VALVE
- SVD2 3 POSITION-4 WAY VALVE
- SVD3 3 POSITION-4 WAY VALVE
- SVD4 3 POSITION-4 WAY VALVE
- V4 COUNTERBALANCE CARTRIDGE VALVE
- VC1 PROPORTIONAL CONTROL VALVE (SIMPLIFIED REP)
- VC2 PRIORITY FLOW REGULATOR VALVE
- VC3 PRIORITY FLOW REGULATOR VALVE

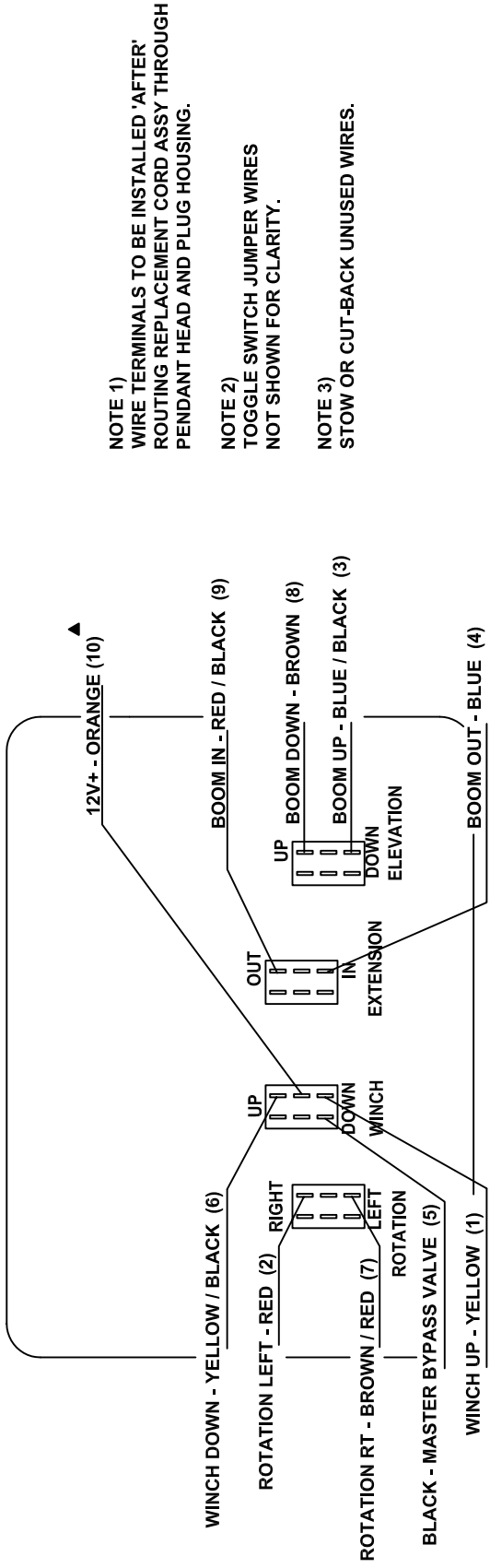
TITLE
HYDRAULIC SYSTEM DIAGRAM
 HT25/30 NON-PROPORTIONAL

DATE
3-4-10
 SUPERSEDES
 -

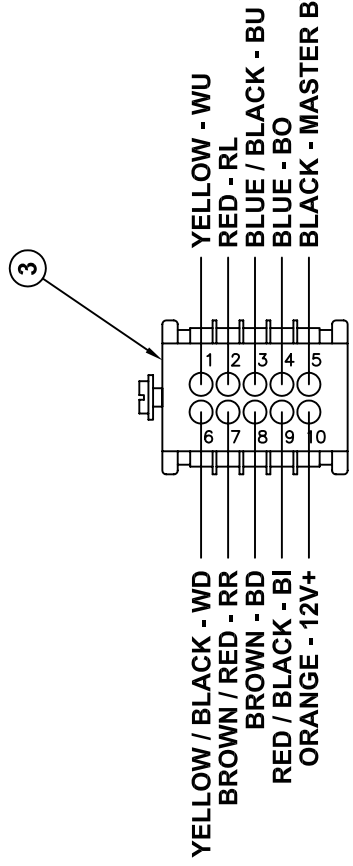
SECTION
C400
21882

CORD REPLACEMENT INSTRUCTIONS

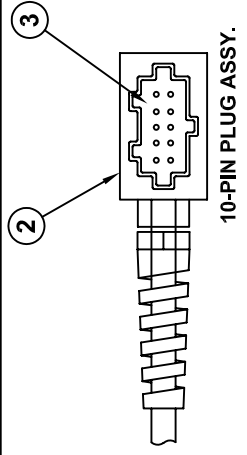
(INSIDE VIEW OF PENDANT CONTROL W/ REAR COVER REMOVED)



- NOTE 1) WIRE TERMINALS TO BE INSTALLED 'AFTER' ROUTING REPLACEMENT CORD ASSY THROUGH PENDANT HEAD AND PLUG HOUSING.
- NOTE 2) TOGGLE SWITCH JUMPER WIRES NOT SHOWN FOR CLARITY.
- NOTE 3) STOW OR CUT-BACK UNUSED WIRES.



PLUG - BACKSIDE VIEW



10-PIN PLUG ASSY.

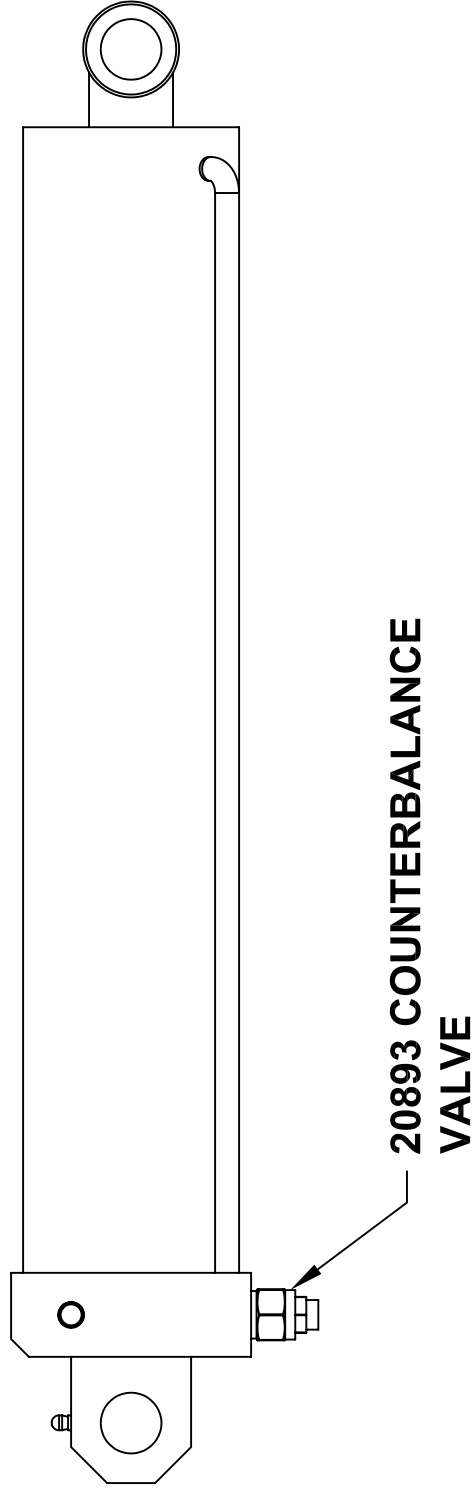
ITEM	QTY	PART NO.	DESCRIPTION
4	1	22135	CORD ASSY. KIT
3	1	19427	MALE INSERT - 10 + 1 POLE
2	1	19426	PLUG CASE - 10 + 1 POLE
1	4	22152	DPDT MOMENTARY SWITCH

TITLE	DATE	SECTION
REPLACEMENT PARTS DRAWING	10-6-11C	C400
22062 PENDANT (STANDARD CTRL)	8-15-11B	22078


MANUFACTURING, INC.
CINCINNATI, OHIO



21752 ELEVATION CYLINDER

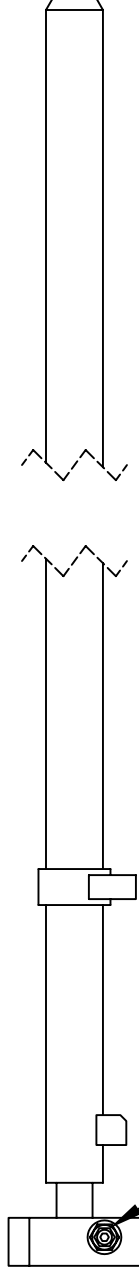


SEAL KIT P/N: 21774

 MANUFACTURING, INC. CINCINNATI, OHIO	TITLE	SECTION
	ELEVATION CYLINDER ET/HT25/30/36KX(X)	C400
	DATE	SUPERSEDES
	8-12-09	.

21773

20061-1 EXTENSION CYLINDER



20893 COUNTERBALANCE
VALVE

SEAL KIT P/N: 19887

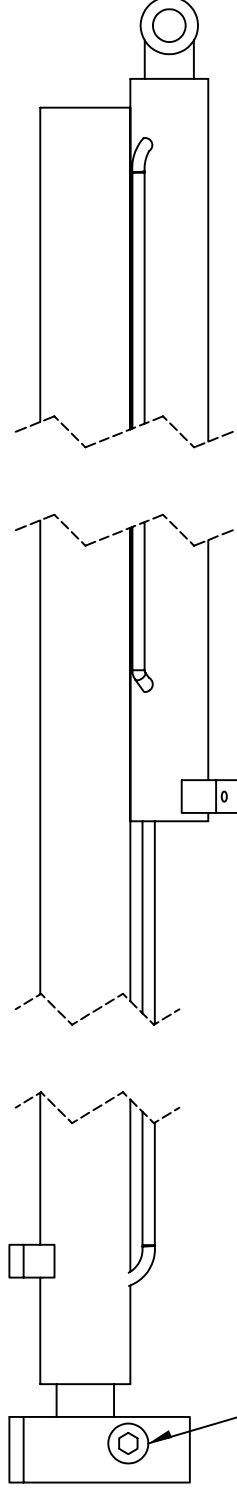


TITLE
EXTENSION CYLINDER
ET/HT25/30KX

DATE
8-20-09
SUPERSEDES
-

SECTION
C400
21879

21753 EXTENSION CYLINDER

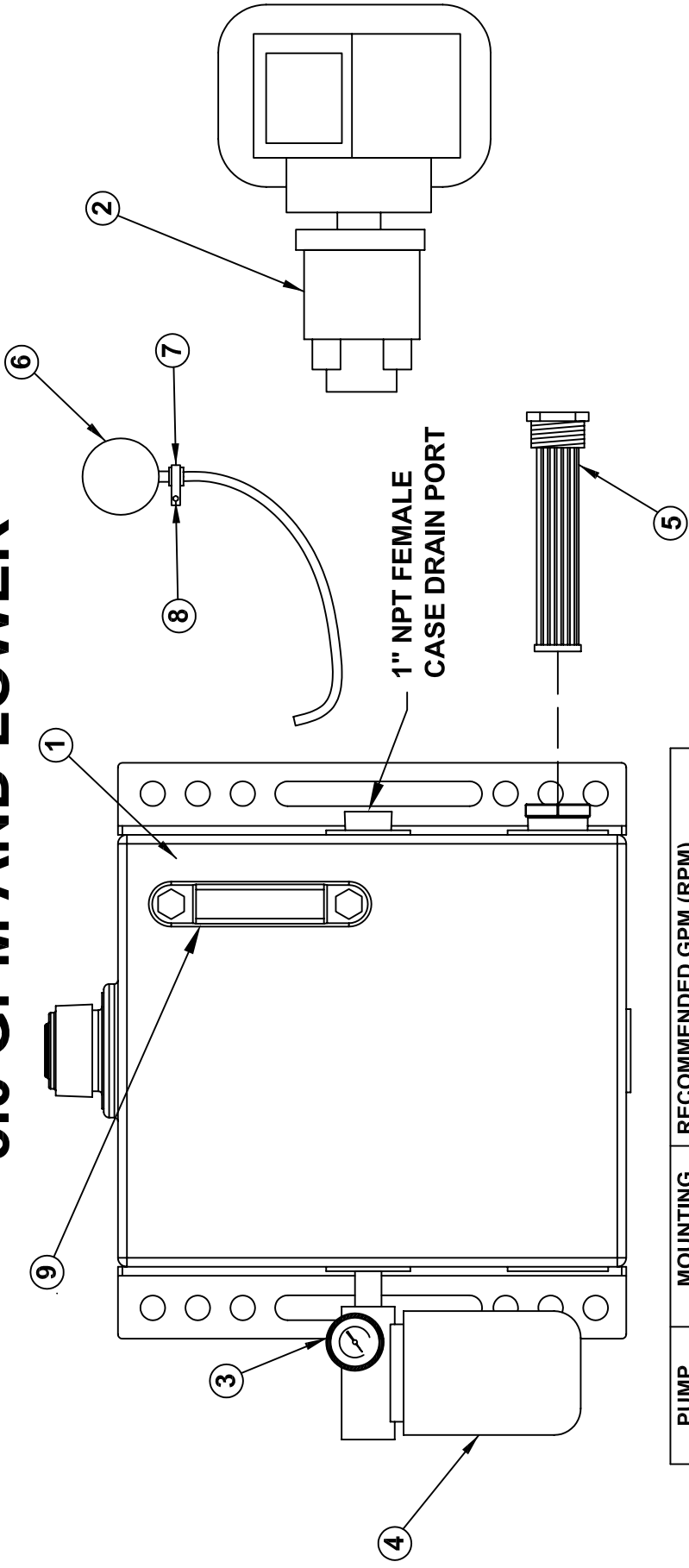


20893 - COUNTERBALANCE VALVE

SEAL KIT P/N: 21775


VENTURO MANUFACTURING, INC. CINCINNATI, OHIO	TITLE	EXTENSION CYLINDER	DATE	4-30-09A	SECTION	C400
		HT25/30, ET36	SUPERSEDES	9-25-08		21860

19294 PTO PACKAGES 5.0 GPM AND LOWER



PUMP	MOUNTING	RECOMMENDED GPM (RPM)
19296-1.60	SAE "A" 9 TOOTH SPLINED SHAFT	HT18 - STD. - 1.75 GPM (1110 RPM)
19296-2.64		HT25 - STD. - 2.00 GPM (1250 RPM)
19296-4.00		HT40 - STD. - 2.6 GPM (1000 RPM)
		HT50 - STD. - 3.0 GPM (1150 RPM)
		HT18 - PROP. - 3.5 GPM (875 RPM)
		HT25 - PROP. - 4.0 GPM (1000 RPM)

ITEM	QTY	PART NO.	DESCRIPTION
9	1	22184	SIGHT GLASS
8	1	IHWHS02520075-F	HEX WASHER HEAD 1/4-20 X 3/4 SELF TAPPING CLAMP
7	1	19275	
6	1	22730	PRESSURE GAUGE ASSEMBLY
5	1	19300	SUCTION SCREEN - 100 MESH
4	1	19298	FILTER ASSY, RETURN - 10 MICRON
3	1	19297	PRESSURE GAUGE - RETURN
2	1	SEE CHART	PTO PUMP - HT18/25/40/50KX
1	1	19295	RESERVOIR TANK - 10 GALLON



MANUFACTURING, INC.
CINCINNATI, OHIO

TITLE
REPLACEMENT PARTS DWG

DATE
3-4-10C

SECTION
C400

PTO KIT - HT (LOW FLOW) ▲

SUPERSEDES
11-5-08B

22744

21874-25-0 DECAL KIT

ITEM NO.	QTY	PART NUMBER	DESCRIPTION
1	1	14473-1	DECAL - OIL
2	4	14473-2	DECAL - GREASE
3	1	19314-1	DECAL - VALVE BANK LEFT
4	1	19314-2	DECAL - VALVE BANK RIGHT
5	2	17389	DECAL - VENTURO - MEDIUM
6	1	17389-4	DECAL - VENTURO - SMALL
7	1	15401	DECAL - UNLAWFUL TO OPERATE
8	1	23132-1	DECAL - BOOM CAPACITY (RIGHT)
9	1	23132-2	DECAL - BOOM CAPACITY (LEFT)
10	2	19745	DECAL - MODEL NAME
11	1	15392	DECAL - DANGER ELECTROCUTION HAZARD
12	1	15391	DECAL - CRANE NOT A PASSENGER LIFT
13	1	19315-1	DECAL - SAFETY SHUT-OFF OVERRIDE
14	1	15390	DECAL - CAUTION INSTRUCTIONS
15	1	15398	DECAL - UNPLUG REMOTE
16	1	20051	DECAL - ROTATION STOP LOCATION
17	1	20174	DECAL - GROUND CABLE ATTACHMENT
18	1	22499	DECAL - KNOW YOUR SIGNALS (SHIPPED LOOSE)
19	1	20834	DECAL - OVERRIDE INSTRUCTIONS
20	1	21772	INST DWG - DECAL PLACEMENT



TITLE
DECAL KIT
HT25KX(X)

DATE
3-7-10
SUPERSEDES
-

SECTION
C400
23208



LIMITED WARRANTY POLICY

This limited policy warrants new products of Venturo be free from defects in material and workmanship for a period of one (1) year from date of original installation. This warranty covers:

- ◆ ***Repair or replacement of product***
- ◆ ***Labor to repair or replace product***
- ◆ ***Freight to return and/or replace product***

We shall not be liable for any contingent liabilities arising out of the improper function of any products. Warranty shall become void if the product is improperly installed, modified, damaged, abused or used for application other than intended use.

WARRANTY CLAIMS

Venturo Manufacturing, Inc. will make a good faith effort for prompt correction or other adjustment with respect to any product, which proves to be defective after our inspection and within the warranty period. Before any repairs are attempted or before returning any product, your Venturo Distributor is required to obtain a warranty claim number. This number is necessary for any claim to be considered. To obtain a warranty claim number, Venturo requires the model and serial number. Only authorized Venturo Distributors can perform warranty. For the name and address of your local Venturo Distributor call the **Warranty Claim Department – 513-772-8448**.

WARNING – It is the responsibility of the installer to insure the installation is completed according to the manufacturer's recommendations, insure the ultimate user understands how to operate product in a safe manner and understands the need for regular service and maintenance by an authorized Venturo Distributor. No modifications or alterations may be made to any Venturo products without the expressed written consent of the manufacturer. Reinstallation of any Venturo product must be done by an authorized Venturo Distributor, to the standards of the industry including maintenance, service and affixing of all instruction, safety and warning decals. Users should again be instructed as to the safe operation at time of delivery. Maintenance, service, operation and safety warning decals are available on request from Venturo Manufacturing, Inc.

VENTURO MANUFACTURING, INC

DIVISION OF COLLINS ASSOCIATES, INC
12110 BEST PLACE • CINCINNATI, OHIO 45241
513.772.8448
www.venturo.com