



OWNER'S MANUAL

INST-25300

25100-CDD/PHD/PHXD

PARTS & INSTALLATION MANUAL

25100-CDD/PHD/PHXD

Included in this manual:

25100-CDD/PHD/PHXD

- Stabilizer with Dual Crosstube
- Manual/Hydraulic Pullout and Crank-down/Hydraulic Legs

VENCO VENTURO INDUSTRIES LLC
12110 BEST PLACE | CINCINNATI, OHIO 45241
800-226-2238



This manual also available online at www.venturo.com.

25100-CDD/PHD/PHXD

INST-25300 - 3/14/2024 (Rev: A0)

7607200A	SECTION 200: INSTALLATION
25480	INSTALLATION GUIDELINES
25301	RECOMMENDED MOUNTING TO TRUCK FRAME
25447-1	SELECTOR VALVE OVERVIEW
25485	DEPARTURE ANGLE, REAR-MOUNTED STABILIZERS
25428-4	MOUNTING THE LEGS
25303	25100-CDD OVERALL DIMENSIONS
25307	25100-PHD-SL OVERALL DIMENSIONS
25308	25100-PHD-LL OVERALL DIMENSIONS
25309	25100-PHD HYDRAULIC MAPPING
25310	25100-PHD HYDRAULIC MAPPING
25317	25100-PHXD-SL OVERALL DIMENSIONS
25318	25100-PHXD-LL OVERALL DIMENSIONS
25319	25100-PHXD-LL HYDRAULIC MAPPING
25320	25100-PHXD-LL HYDRAULIC MAPPING
7607400A	SECTION 400: REPLACEMENT PARTS
25302	25100-CDD ISOMETRIC VIEW
25304	25100-CDD REPLACEMENT PARTS LIST
25305	25100-CDD REPLACEMENT PARTS DRAWING
25306	25100-PHD ISOMETRIC VIEW
25311	25100-PHD-SL ISO OVERVIEW
25312	25100-PHD CROSSTUBE REPL PARTS LIST
25313	25100-PHD CROSSTUBE REPL PARTS DWG
25314	25100-PHD PULLOUT REPL PARTS LIST
25315	25100-PHD PULLOUT REPL PARTS DWG
25316	25100-PHXD ISOMETRIC VIEW
25321	25100-PHXD ISOMETRIC VIEW
25322	25100-PHXD CROSSTUBE REPL PARTS LIST
25323	25100-PHXD CROSSTUBE REPL PARTS DWG
25324	25100-PHXD PULLOUT REPL PARTS LIST
25325	25100-PHXD PULLOUT REPL PARTS DWG
25326	HYDRAULIC SHORT LEGS REPL PARTS LIST
25327	HYDRAULIC SHORT LEGS REPL PARTS DWG
25328	HYDRAULIC LONG LEGS REPL PARTS LIST
25329	HYDRAULIC LONG LEGS REPL PARTS DWG
12-00073_VNT1	WARRANTY PAGE

SECTION 200

INSTALLATION



VENCO VENTURO INDUSTRIES LLC
CINCINNATI, OHIO

STABILIZER INSTALLATION GUIDELINES

Read instructions completely prior to starting installation. If this unit is to be installed on a Venturo crane body, continue to the stabilizer assembly section of this manual.

Prior to mounting the stabilizer crosstube, orient the stabilizer so the longer pullout is on the crane side of the truck.

REAR MOUNTED

Crosstube should be centered at the rear of the truck and tied into the truck frame, body longills, and crane support. Installer is responsible for proper mounting brackets and hardware that will be needed during this process. If unit is to be mounted on a service body, do not attach crosstube to body sheet metal unless otherwise specified. Allow clearance between crosstube and body for the stabilizer legs to be fully retracted. Consult chassis up-fitter guide prior to installation for proper welding and bolting procedures to chassis.

See the 'RECOMMENDED MOUNTING TO TRUCK FRAME' page

Leg installation (refer to assembly section of manual) legs are adjustable to maintain proper ground penetration of 4" to 6". The stabilizer is designed to level the truck and not lift the chassis off of the ground. They are designed to work in conjunction with the chassis suspension to stabilize the unit with the bulk of the load being supported by the chassis suspension and tires. Tires must be set at the proper pressure according to the chassis manufacture, stabilizers fully extended, and legs deployed on firm, level ground prior to crane use.

IMPORTANT - When legs are fully retracted in the stowed position, a 15° degree departure angle between the bottom of the rear tire and the lowest point of the stabilizer is recommended.

See the 'DEPARTURE ANGLE' page

For hydraulic stabilizers, the control valve and selector valve are supplied in kit. It is the installer's responsibility to supply necessary hoses and fittings between these valves and stabilizer. Refer to proper hydraulic schematic for your particular stabilizer model.

IMPORTANT - The selector valve is designed to separate the crane and stabilizer hydraulic circuits. This will not allow stabilizer use while in crane mode.

FRONT MOUNTED

Front mounted crosstube will be located on top of the chassis frame and welded to body longills. Additional shear plates (installer supplied) to be welded to crosstube and bolted to chassis frame. Crosstube to be spaced away from body for leg clearance when fully retracted. See assembly section of manual for pullout and leg installation detail.



VENCO VENTURO INDUSTRIES LLC
CINCINNATI, OHIO

INSTALLATION GUIDELINES

DATE

12-08-23A

SECTION

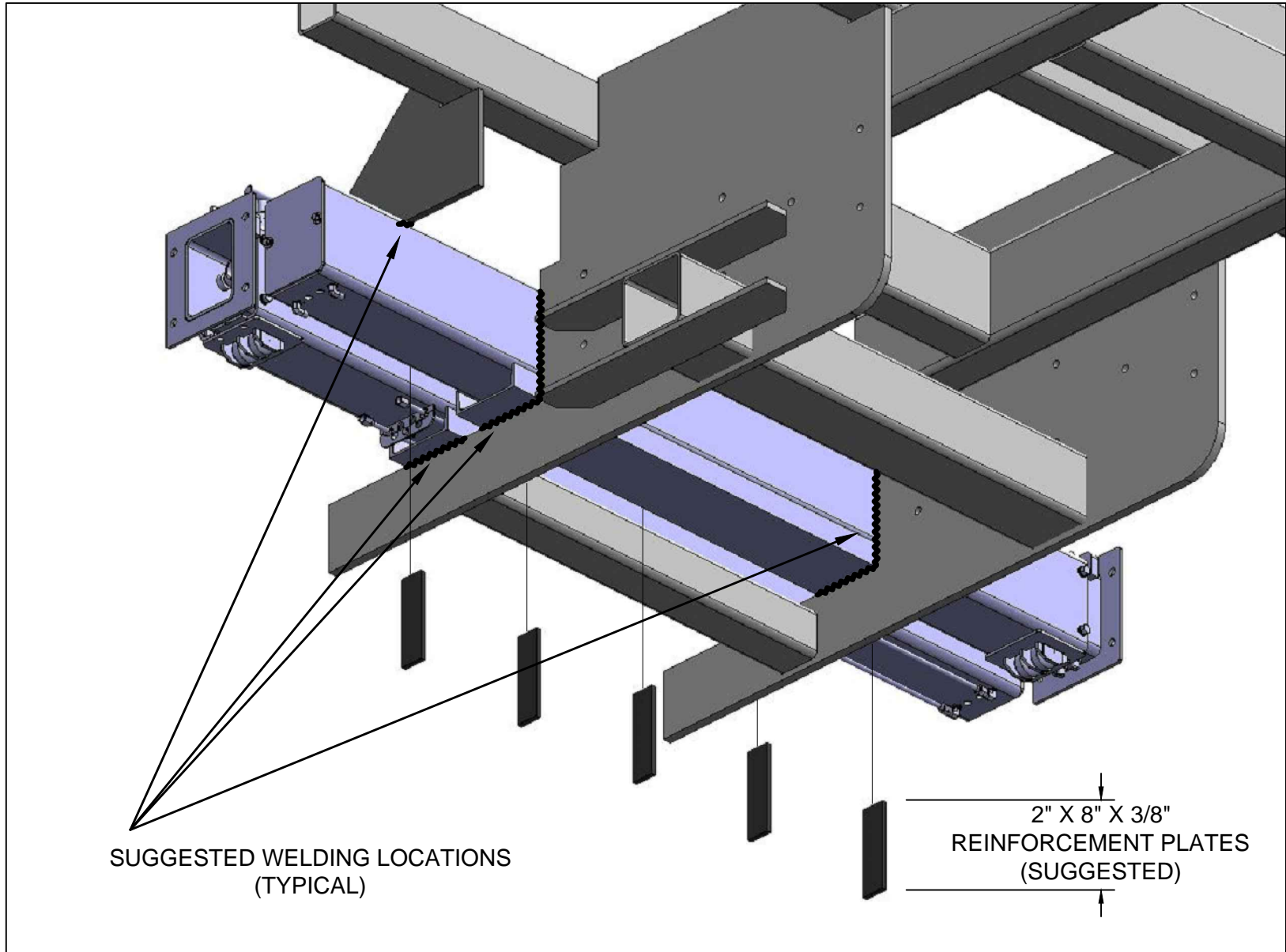
C200

STABILIZERS

SUPERSEDES

01-17-17

25480



VENCO VENTURO INDUSTRIES LLC
CINCINNATI, OHIO

RECOMMENDED MOUNTING TO TRUCK FRAME

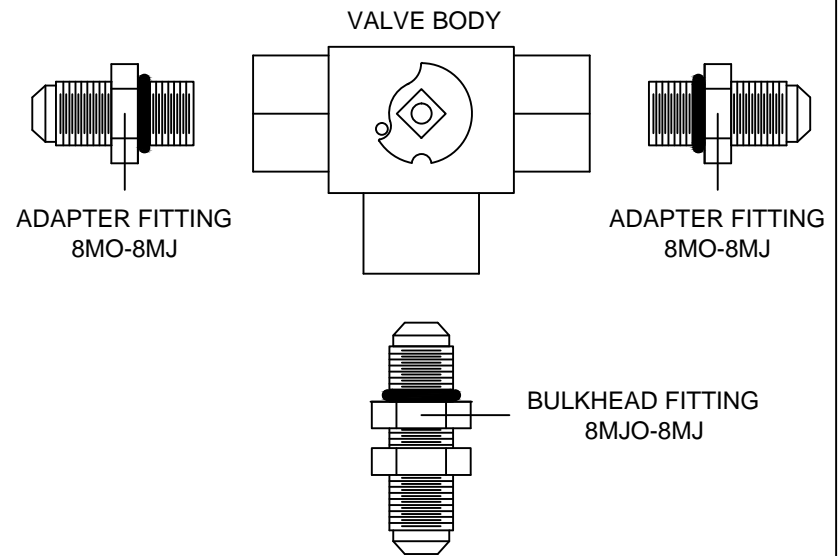
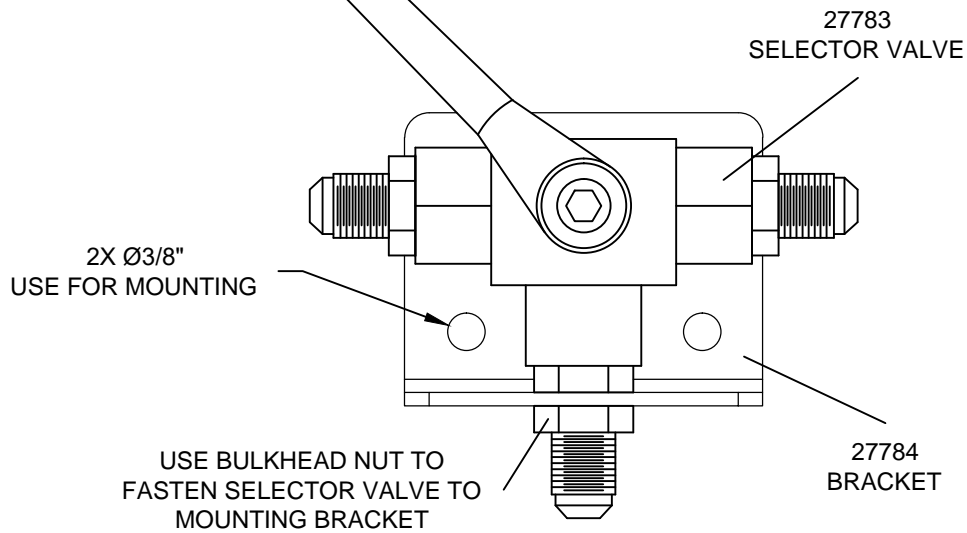
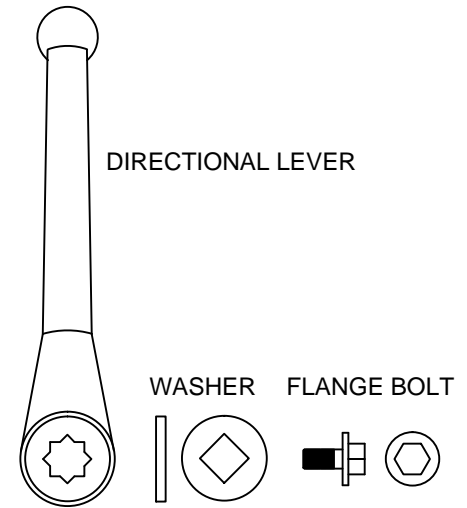
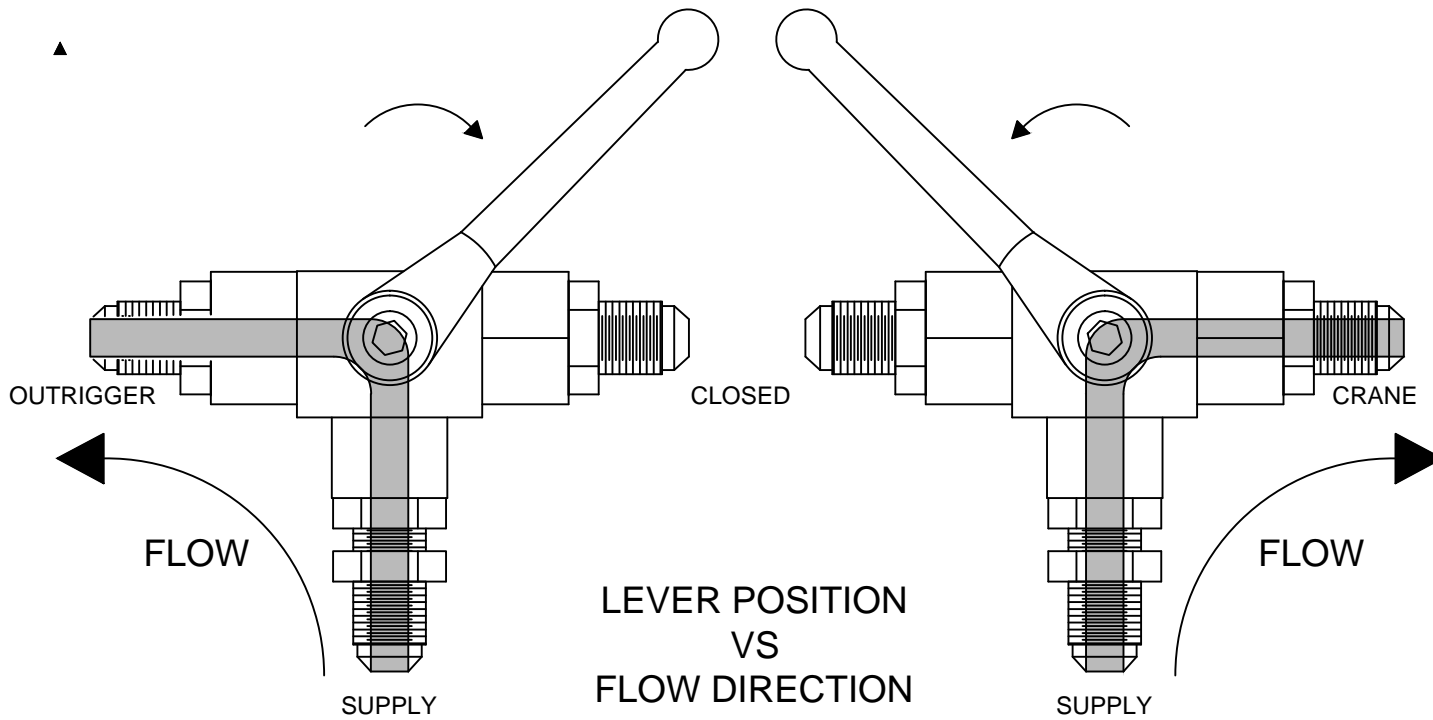
25100 DUAL-TUBE OUTRIGGERS

DATE
04-03-17

SUPERSEDES
-

PAGE
02

25301



RECOMMENDED DEPARTURE ANGLE



VENCO VENTURO INDUSTRIES LLC
CINCINNATI, OHIO

RECOMMENDED DEPARTURE ANGLE

REAR MOUNTED OUTRIGGERS

DATE

08-25-22A

SUPERSEDES

01-18-17

PAGE

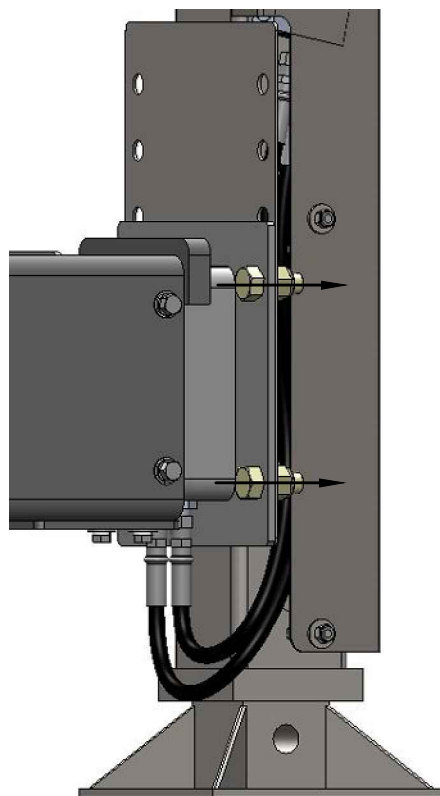
-

25485

MOUNTING THE OUTRIGGER LEGS, 25100 SERIES OUTRIGGERS

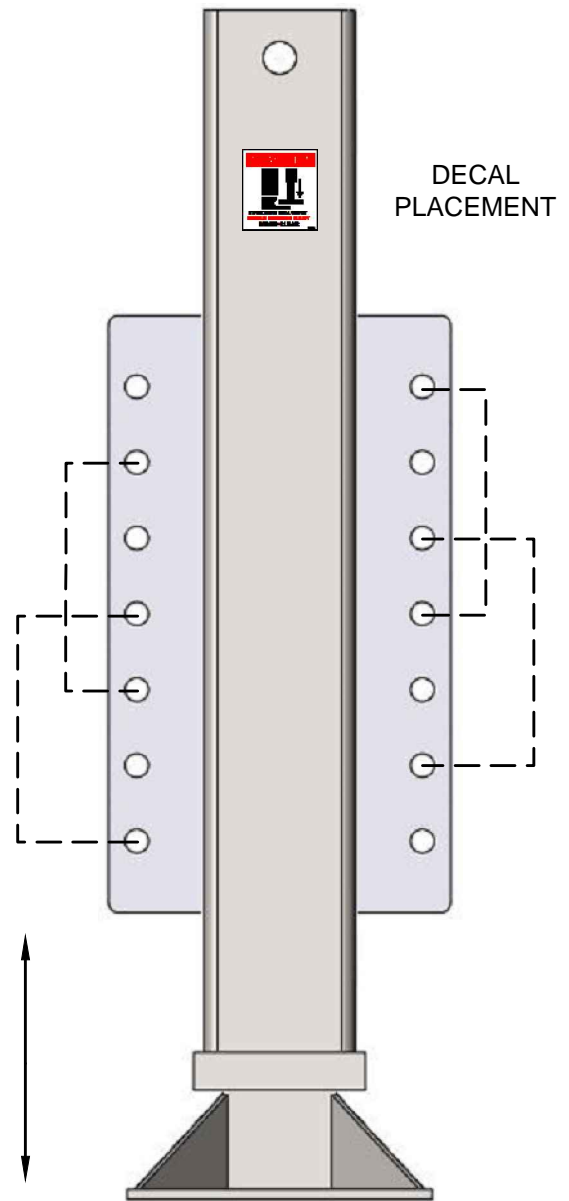
FOLLOW INSTRUCTIONS FOR MOUNTING 25100 SERIES OUTRIGGER LEGS.

1. DETERMINE PLACEMENT OF OUTRIGGER LEGS. REFER TO MODEL SPECIFIC 'OVERALL DIMENSIONS' PAGE.
2. USE HARDWARE & FASTENERS PROVIDED:
 - [8] HEX HEAD CAP SCREW;
5/8-11 X 1-1/2", GR. 8, ZINC
 - [8] LOCK NUT;
5/8-11, GR. 8, ZINC, NYLON-INSERT
3. INSERT BOLTS POINTING AWAY FROM OUTRIGGER.
4. TORQUE OUTRIGGER LEG BOLTS & NUTS TO 190 FT-LBS EACH.
5. PLACE 24964 DANGER DECALS, [1] ON EACH LEG



4 MOUNTING POSITIONS

6" MOUNTING RANGE



VENCO VENTURO INDUSTRIES LLC
CINCINNATI, OHIO

MOUNTING THE LEGS

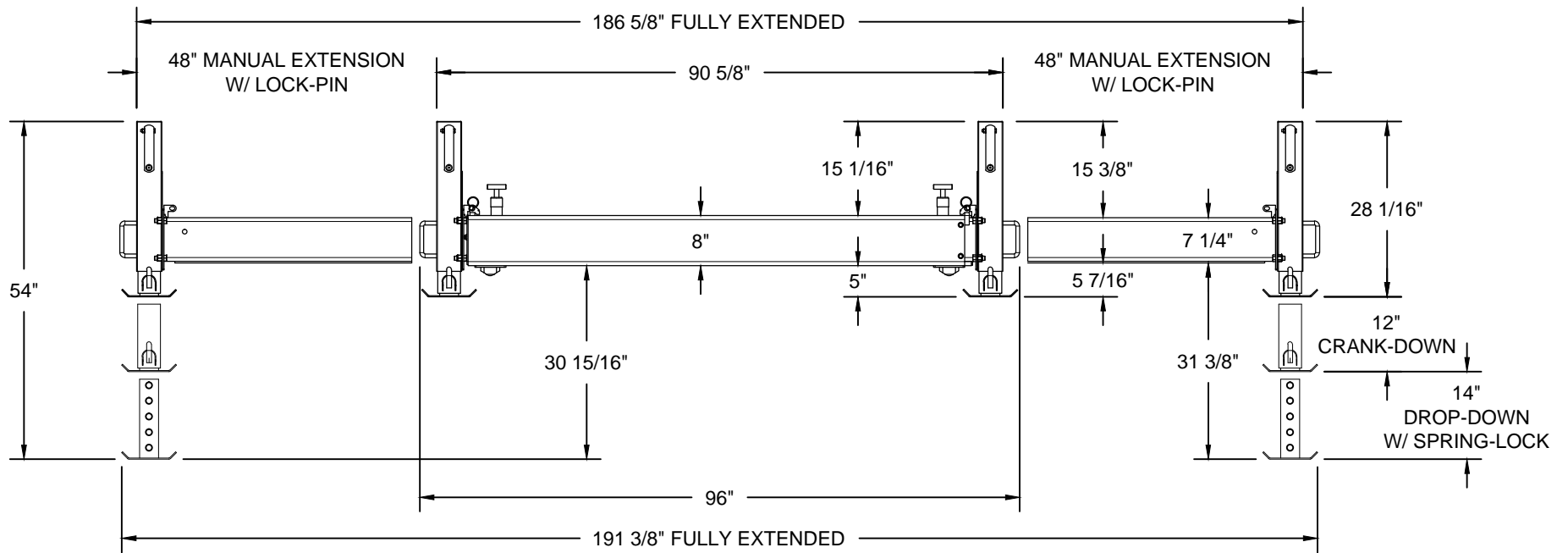
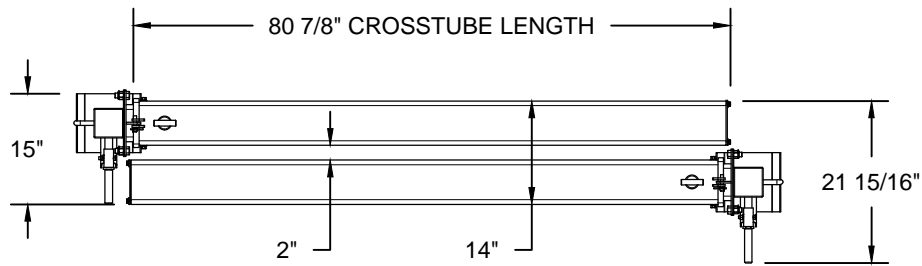
25100 SERIES OUTRIGGERS

DATE
04-03-17

SUPERSEDES
-

PAGE
05

25428-4



HIGHEST LEG MOUNT SHOWN

6" RANGE ADJUSTABLE
FOR LEG MOUNTING
AT 2" INCREMENTS



VENCO VENTURO INDUSTRIES LLC
CINCINNATI, OHIO

OVERALL DIMENSIONS

25100-CDD OUTRIGGER

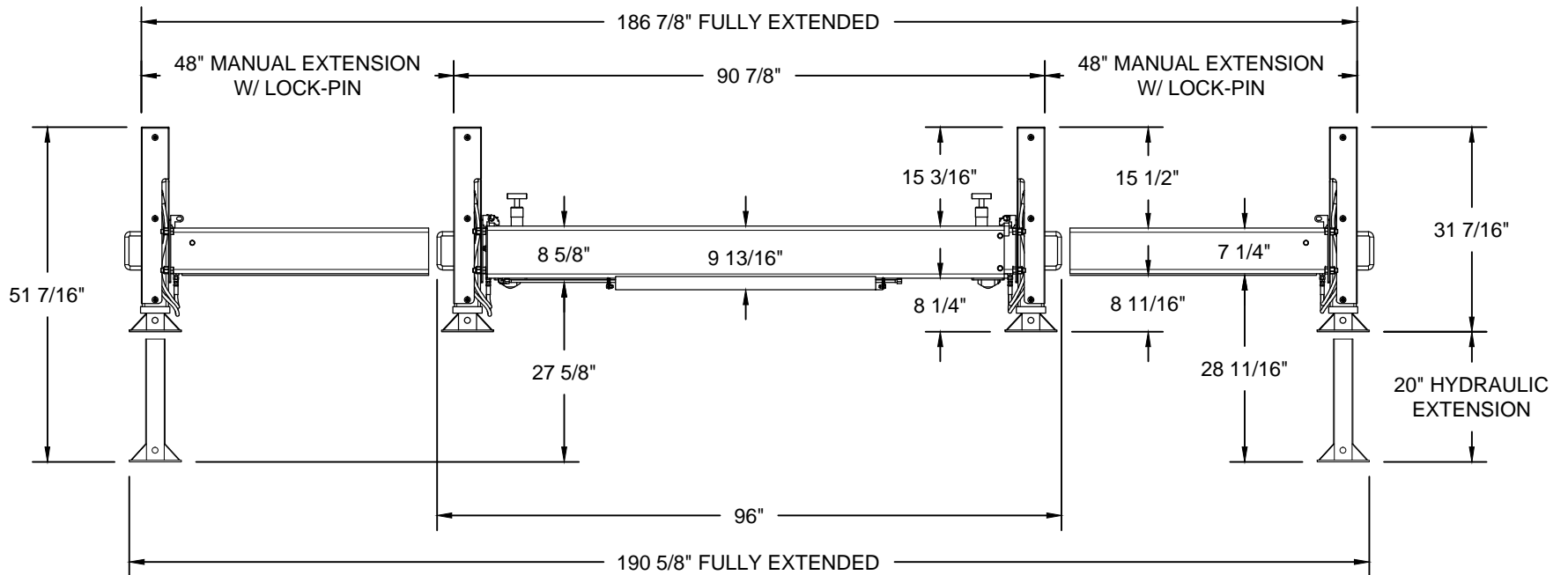
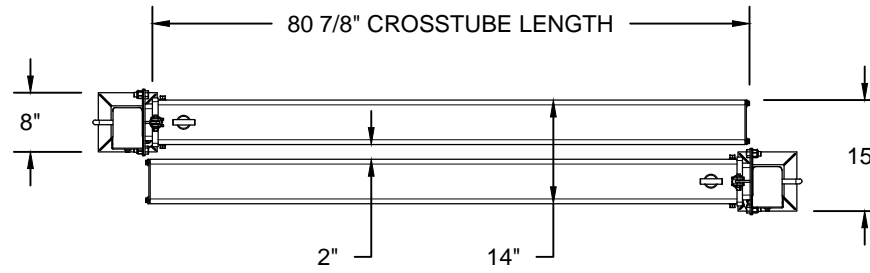
DATE
04-03-17

SUPERSEDES
-

PAGE

07

25303



HIGHEST LEG MOUNT SHOWN

6" RANGE ADJUSTABLE
FOR LEG MOUNTING
AT 2" INCREMENTS



VENCO VENTURO INDUSTRIES LLC
CINCINNATI, OHIO

OVERALL DIMENSIONS

25100-PHD OUTRIGGER WITH SHORT LEGS

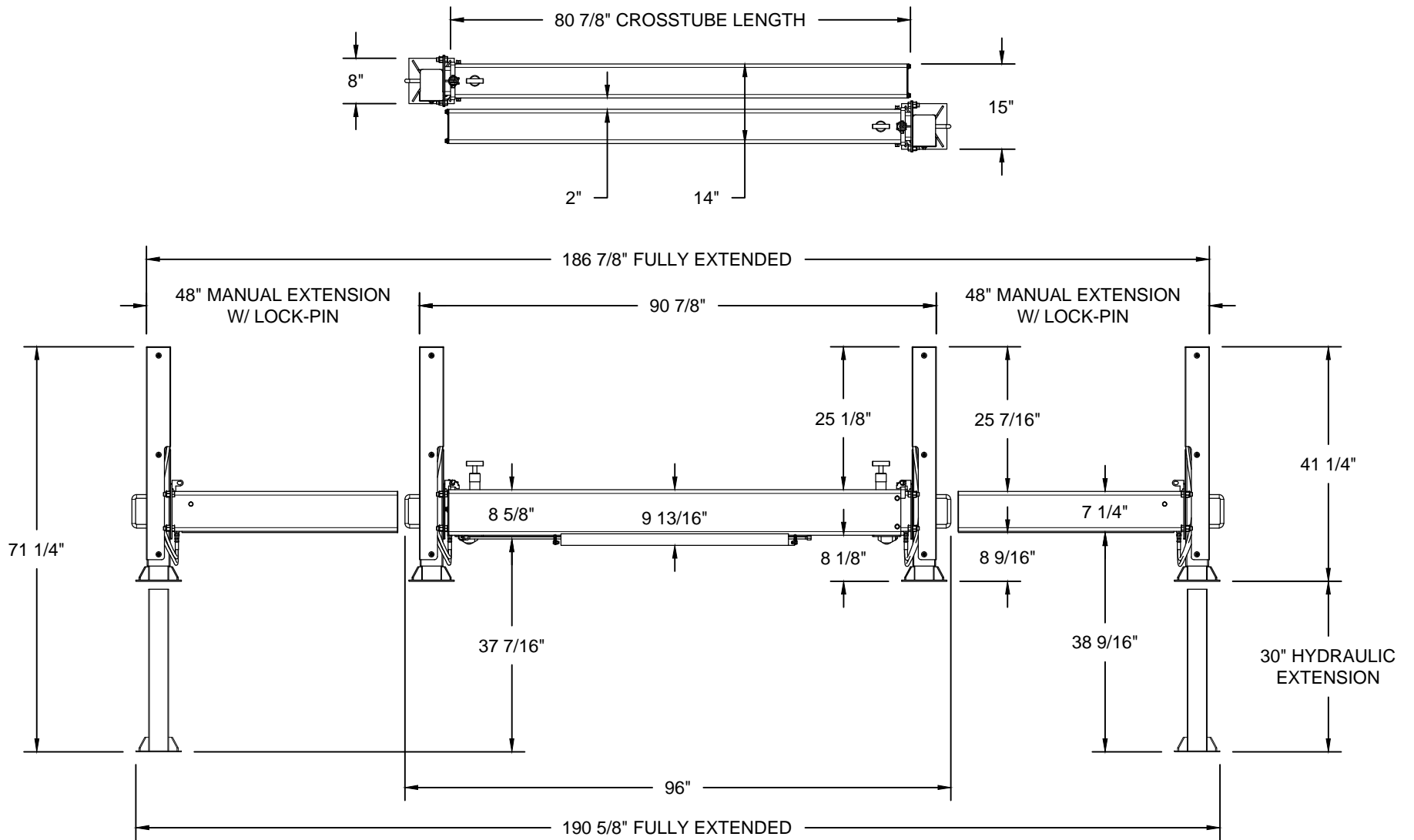
DATE
04-03-17

SUPERSEDES
-

PAGE

11

25307



HIGHEST LEG MOUNT SHOWN

6" RANGE ADJUSTABLE
FOR LEG MOUNTING
AT 2" INCREMENTS



VENCO VENTURO INDUSTRIES LLC
CINCINNATI, OHIO

OVERALL DIMENSIONS

25100-PHD OUTRIGGER WITH LONG LEGS

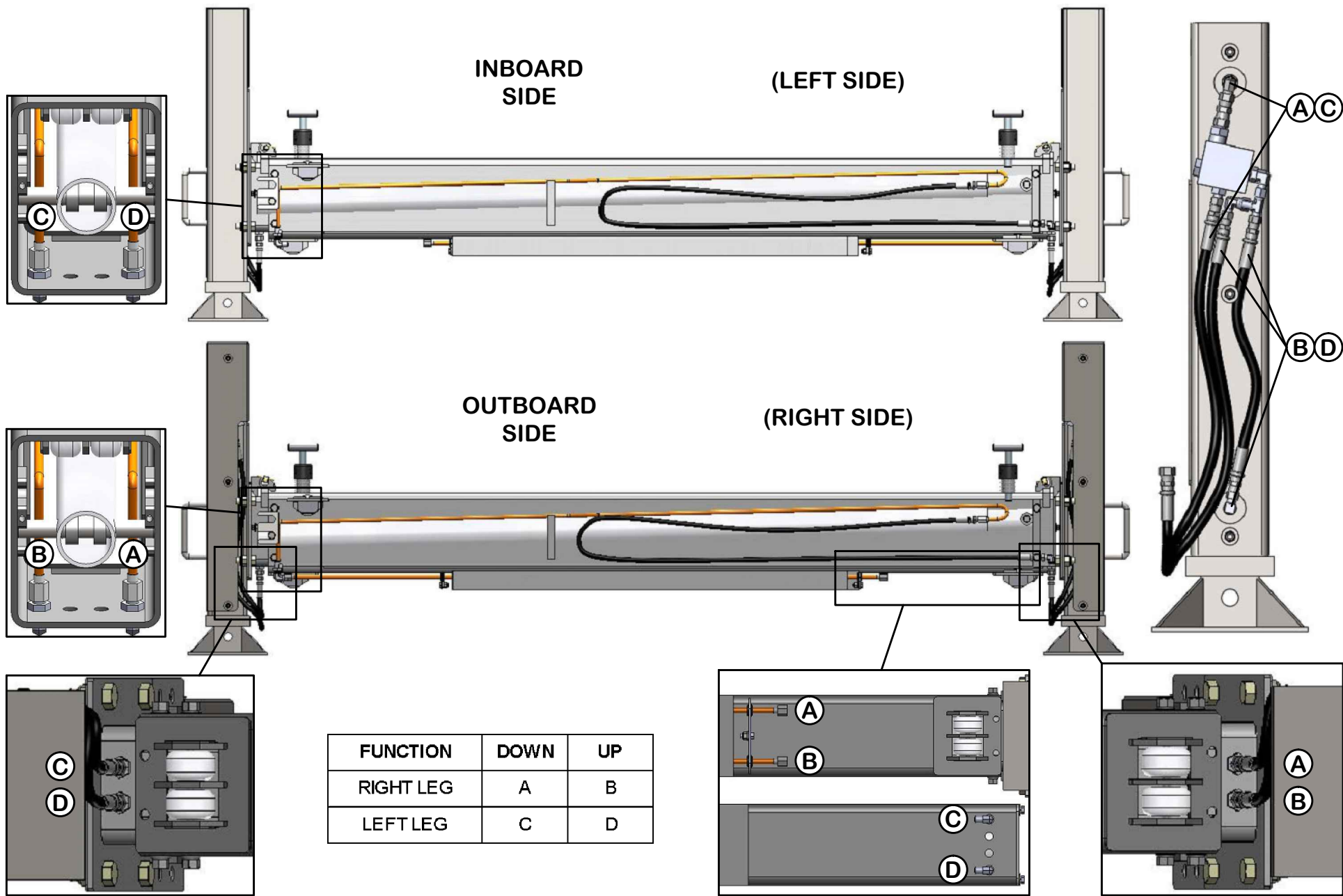
DATE
04-03-17

SUPERSEDES
-

PAGE

12

25308



FUNCTION	DOWN	UP
RIGHT LEG	A	B
LEFT LEG	C	D



VENCO VENTURO INDUSTRIES LLC
CINCINNATI, OHIO

HYDRAULIC MAPPING, OUTRIGGER SIDE

25100-PHD OUTRIGGERS

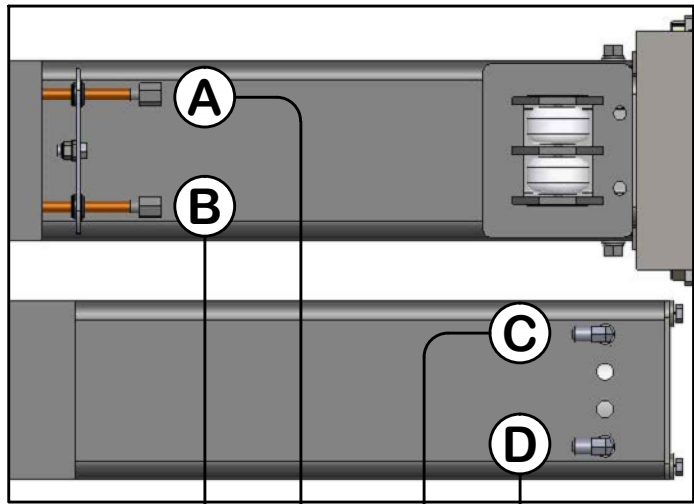
DATE
04-03-17

SUPERSEDES
-

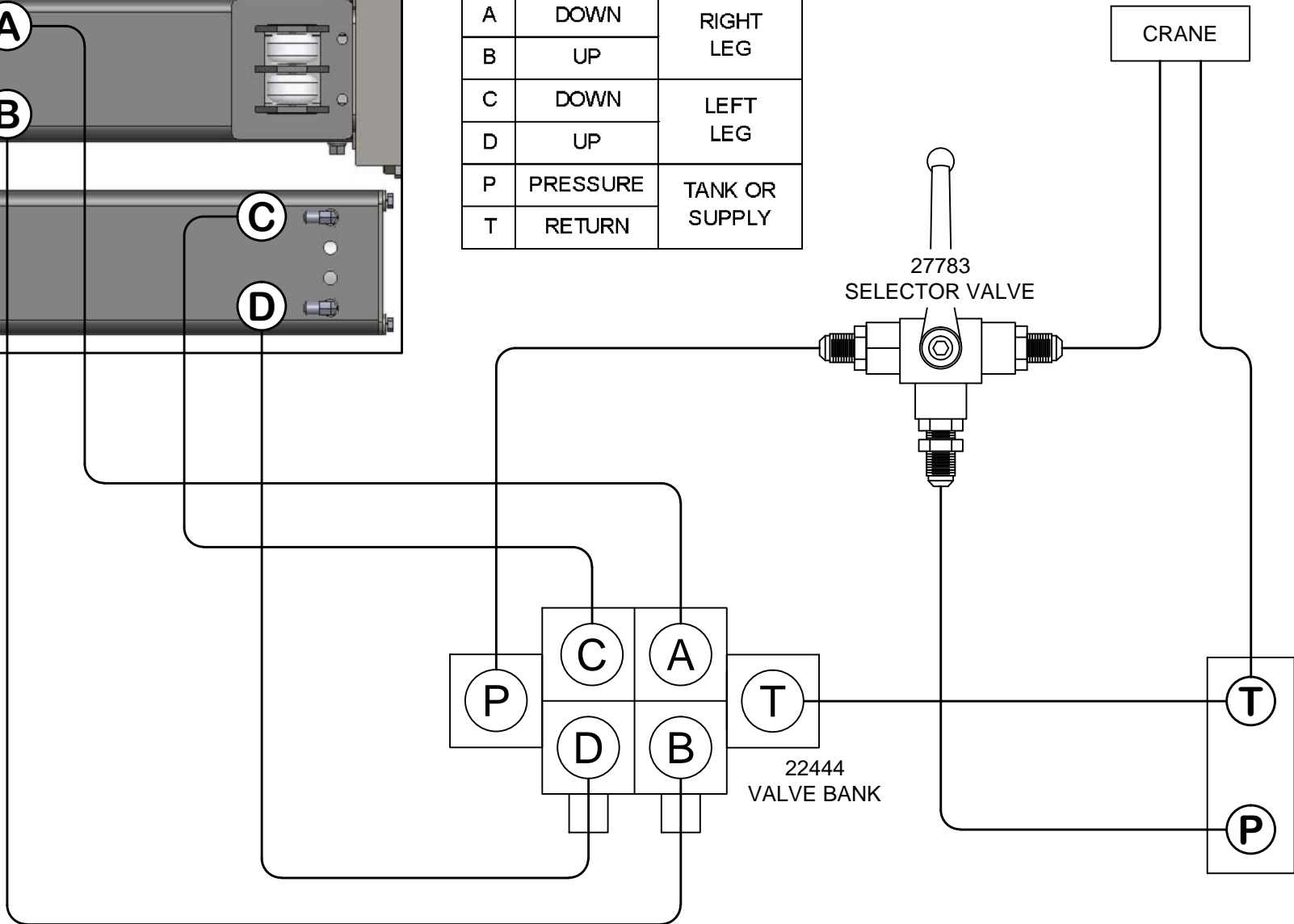
PAGE

13

25309



FUNCTIONS		
A	DOWN	RIGHT LEG
B	UP	RIGHT LEG
C	DOWN	LEFT LEG
D	UP	LEFT LEG
P	PRESSURE	TANK OR SUPPLY
T	RETURN	TANK OR SUPPLY



VENCO VENTURO INDUSTRIES LLC
CINCINNATI, OHIO

HYDRAULIC MAPPING, COMPARTMENT SIDE

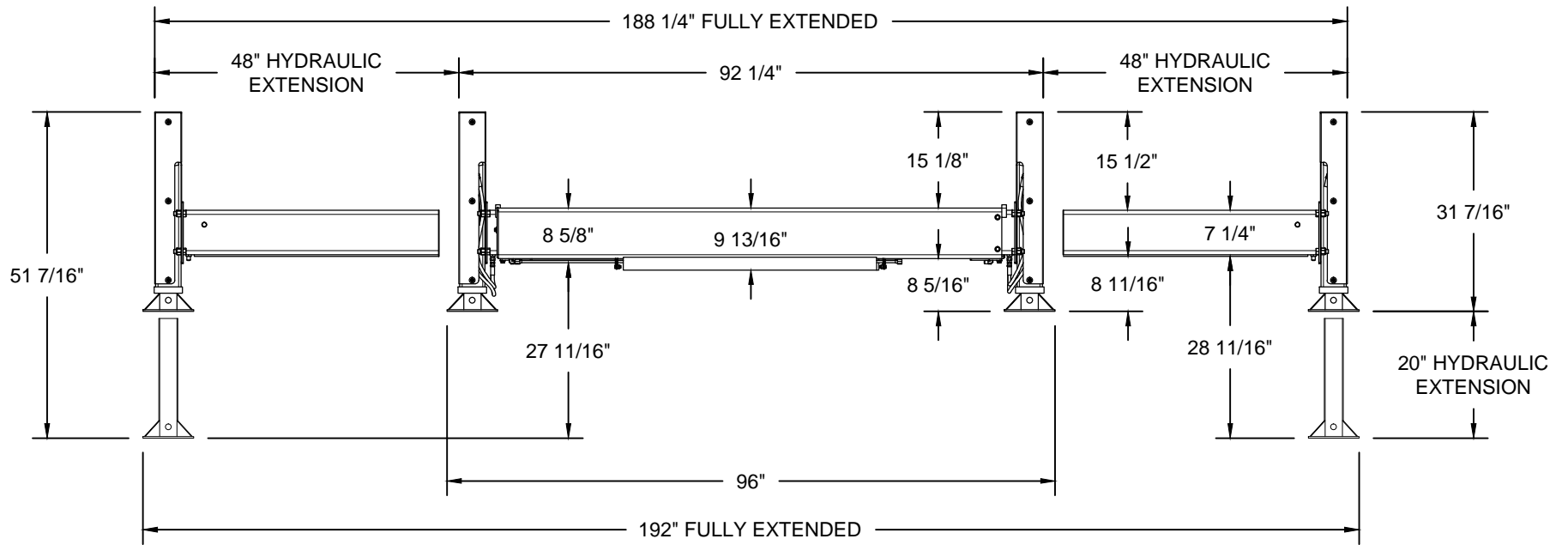
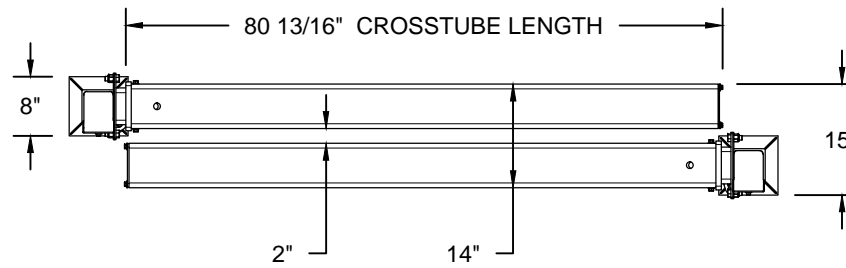
25100-PHD OUTRIGGERS

DATE
04-03-17

SUPERSEDES
-

PAGE
14

25310



HIGHEST LEG MOUNT SHOWN

6" RANGE ADJUSTABLE
FOR LEG MOUNTING
AT 2" INCREMENTS



VENCO VENTURO INDUSTRIES LLC
CINCINNATI, OHIO

OVERALL DIMENSIONS

25100-PHXD OUTRIGGER WITH SHORT LEGS

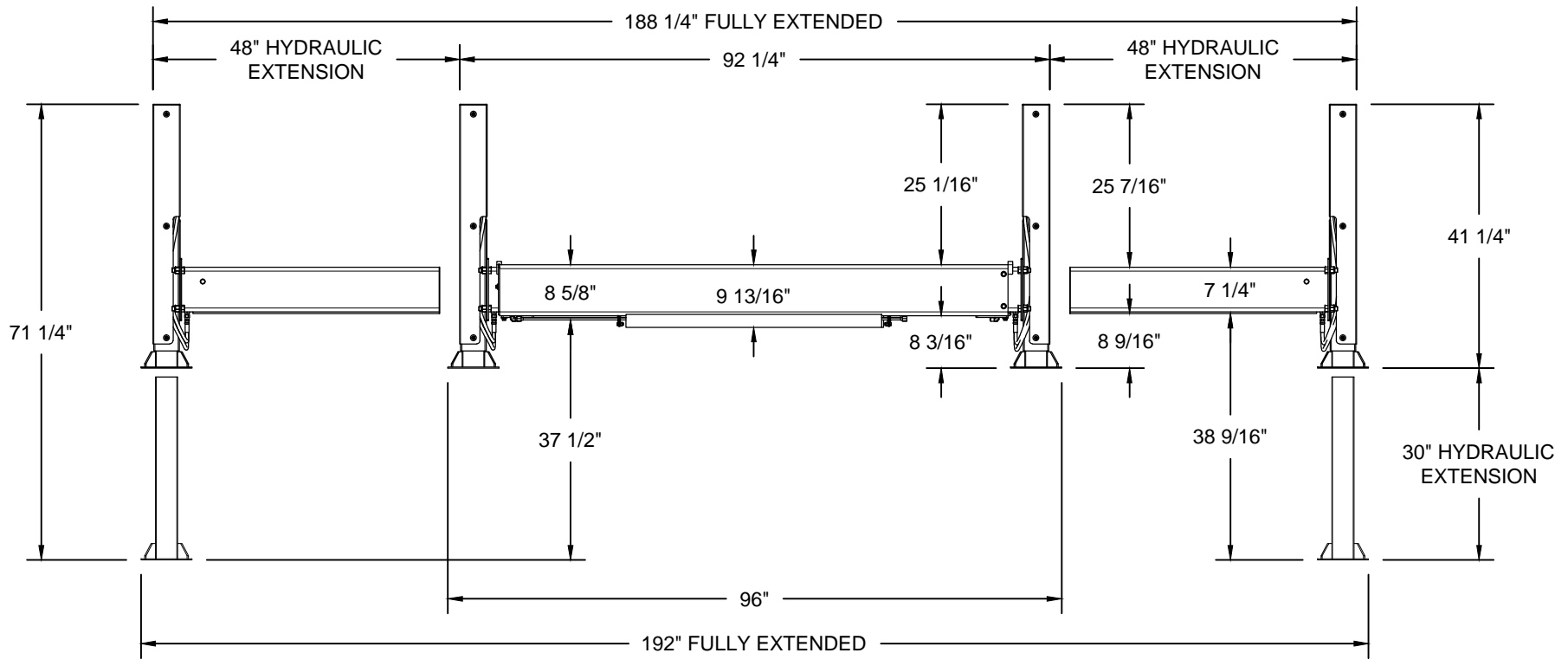
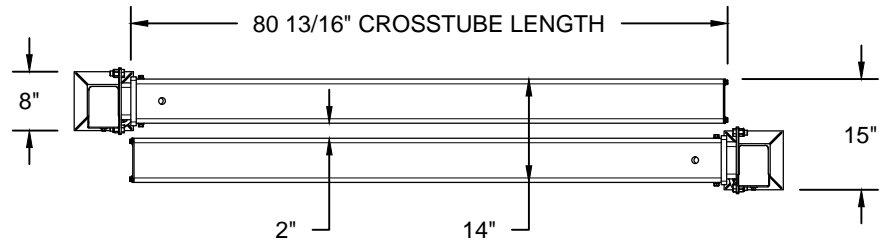
DATE
04-03-17

SUPERSEDES
-

PAGE

21

25317



HIGHEST LEG MOUNT SHOWN

6" RANGE ADJUSTABLE
FOR LEG MOUNTING
AT 2" INCREMENTS



VENCO VENTURO INDUSTRIES LLC
CINCINNATI, OHIO

OVERALL DIMENSIONS

25100-PHXD OUTRIGGER WITH LONG LEGS

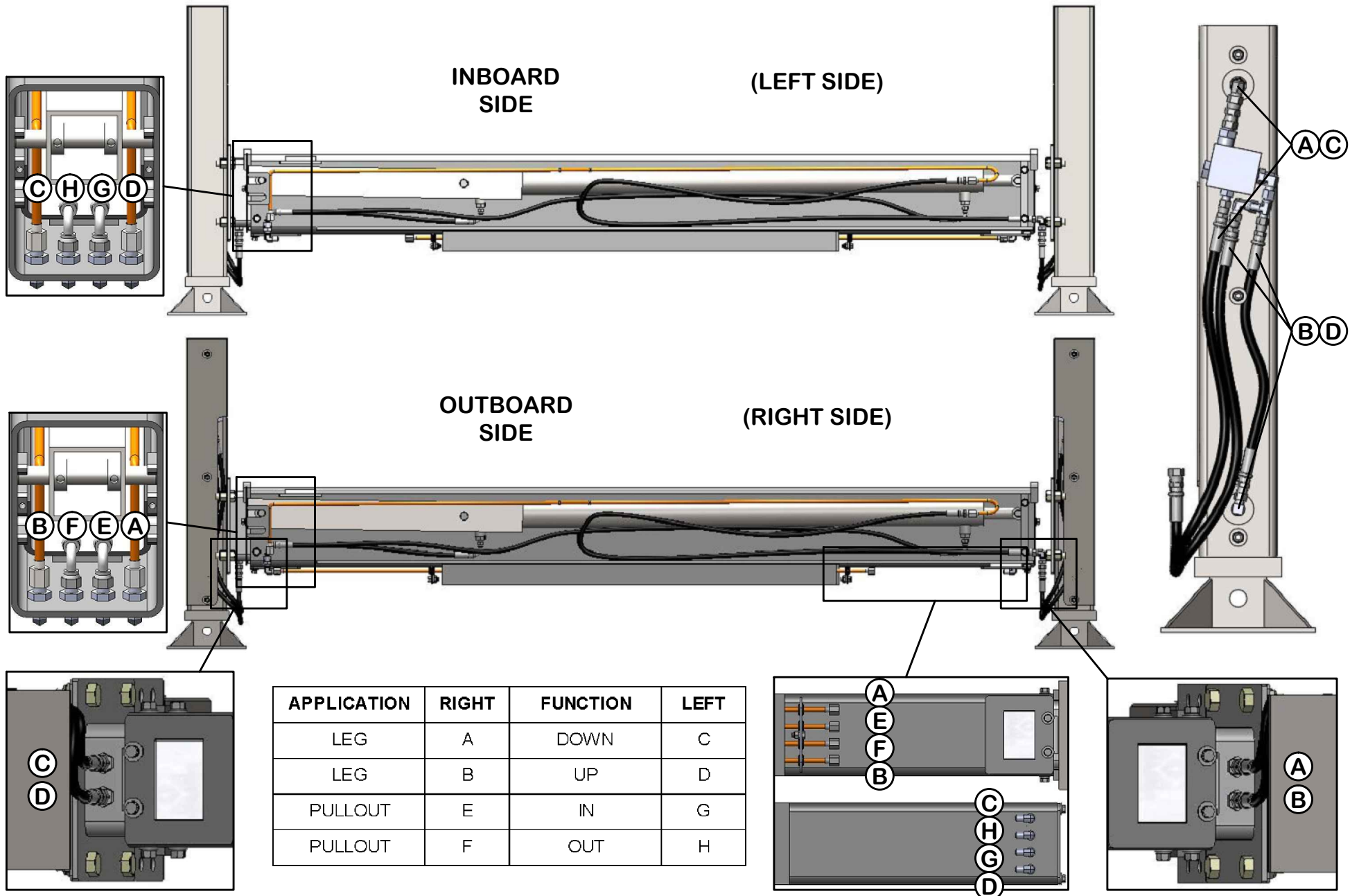
DATE
04-03-17

SUPERSEDES
-

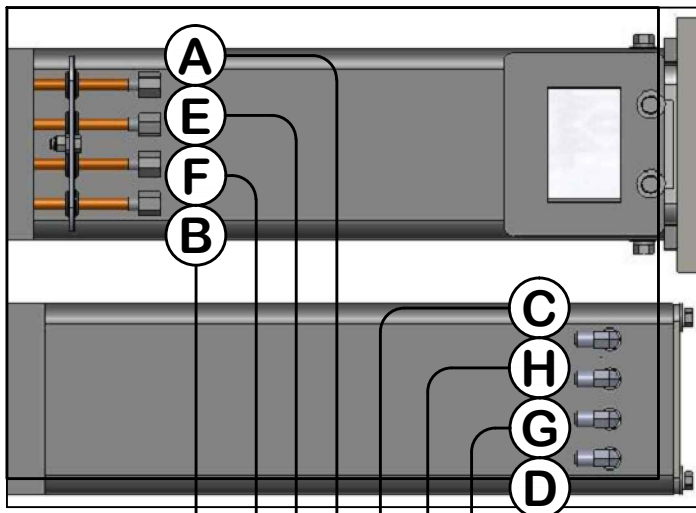
PAGE

22

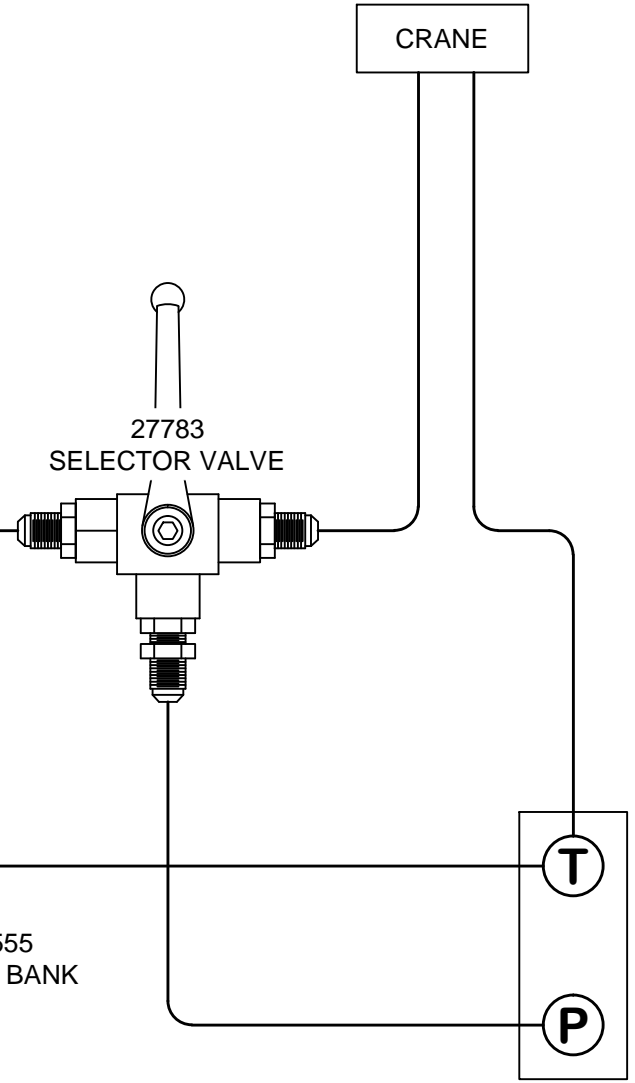
25318



APPLICATION	RIGHT	FUNCTION	LEFT
LEG	A	DOWN	C
LEG	B	UP	D
PULLOUT	E	IN	G
PULLOUT	F	OUT	H



FUNCTIONS		
A	DOWN	RIGHT LEG
B	UP	
C	DOWN	LEFT LEG
D	UP	
E	IN	RIGHT PULLOUT
F	OUT	
G	IN	LEFT PULLOUT
H	OUT	
P	PRESSURE	TANK OR SUPPLY
T	RETURN	



VENCO VENTURO INDUSTRIES LLC
CINCINNATI, OHIO

HYDRAULIC MAPPING, COMPARTMENT SIDE

25100-PHXD OUTRIGGERS

DATE
04-03-17

SUPERSEDES
-

PAGE

24

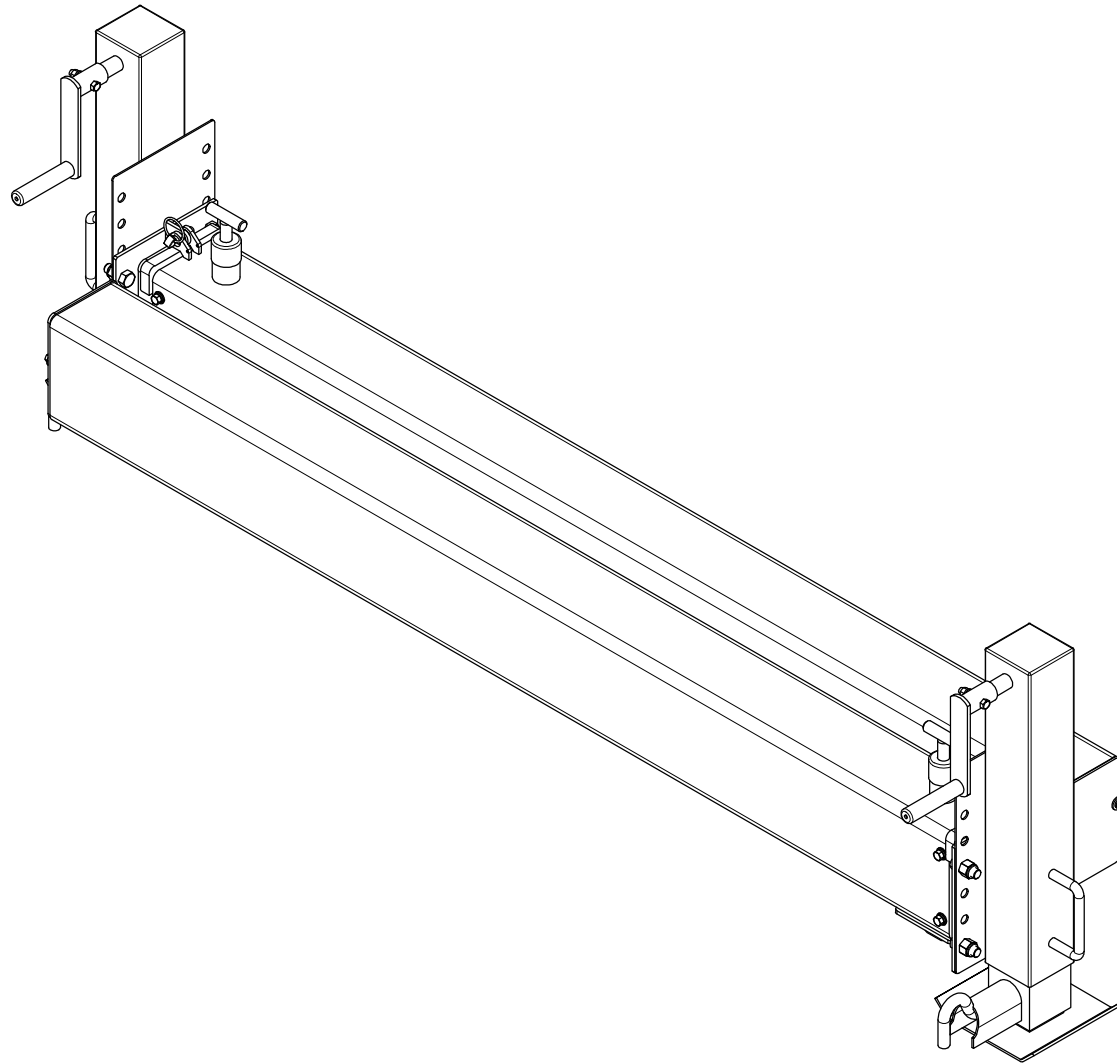
25320

SECTION 400

REPLACEMENT PARTS



VENCO VENTURO INDUSTRIES LLC
CINCINNATI, OHIO



VENCO VENTURO INDUSTRIES LLC
CINCINNATI, OHIO

ISOMETRIC VIEW

25100-CDD OUTRIGGER

DATE
04-03-17

SUPERSEDES
-

PAGE

06

25302

PARTS BREAKDOWN, 25100-CDD OUTRIGGER ASSEMBLY

PARTS BREAKDOWN, 25100-CDD OUTRIGGER ASSEMBLY			
#	DESCRIPTION	QTY	PART #
1	CROSSTUBE; DUAL CRANK-DOWN	2	25085-8
2	PULLOUT; 4' EXT., CD & PH CONFIG	2	25087-1
3	LEG; CRANK-DOWN, RIGHT	1	25133-1
4	LEG; CRANK-DOWN, LEFT	1	25133-2
5	NUT BAR RETAINER & BEARING	4	25065
6	SKATEBOARD WHEEL; 53MM	8	25082
7	BEARING; SKATEBOARD WHEEL	16	25078
8	AXLE ROD; SKATEBOARD WHEELS	4	25090
9	LOCK PIN; SPRING-LOADED	2	22668
10	ROLL PIN; 3/16 X 1-3/8, SS	4	!RPIN-019138-SS
11	SECURITY PIN & CLAMP RING	2	24981
12	C-SHAPED HANDLE; PULL-OUT	2	19344
13	CRANK HANDLE; WELDED ASSEMBLY	2	19009
14	RUBBER HANDLE GRIP	2	16-00064
15	COVER; END CAP, CROSSTUBE	2	25183
16	HHCS; 5/16-18 X 3/4, GR. 5, ZINC	4	!HHCS03118075
17	HHCS; 5/16-18 X 1-3/4, GR. 5, ZINC	2	!HHCS03118175
18	LOCK WASHER; 5/16, GR.5, ZINC	6	!LWSH-031
19	FLAT WASHER; 5/16, GR. 5, ZINC	4	!FWSH-031
20	HEX NUT; 5/16-18, GR. 5, ZINC	2	!HNUT-03118
21	HHCS; 5/8-11 X 1-1/2, GR. 8, ZINC	8	!HHCS06311150-8
22	LOCK NUT; 5/8-11, GR.8, ZINC, NYLON	8	!LNUT-06311-8
23	HHCS; 3/8-16 X 5/8, GR. 5, ZINC	8	!HHCS03816063
24	LOCK WASHER; 3/8, GR. 5, ZINC	8	!LWSH-038
25	FLAT WASHER; 3/8 SAE, GR. 5, ZINC	8	!FWSH-038SAE



VENCO VENTURO INDUSTRIES LLC
CINCINNATI, OHIO

PARTS BREAKDOWN

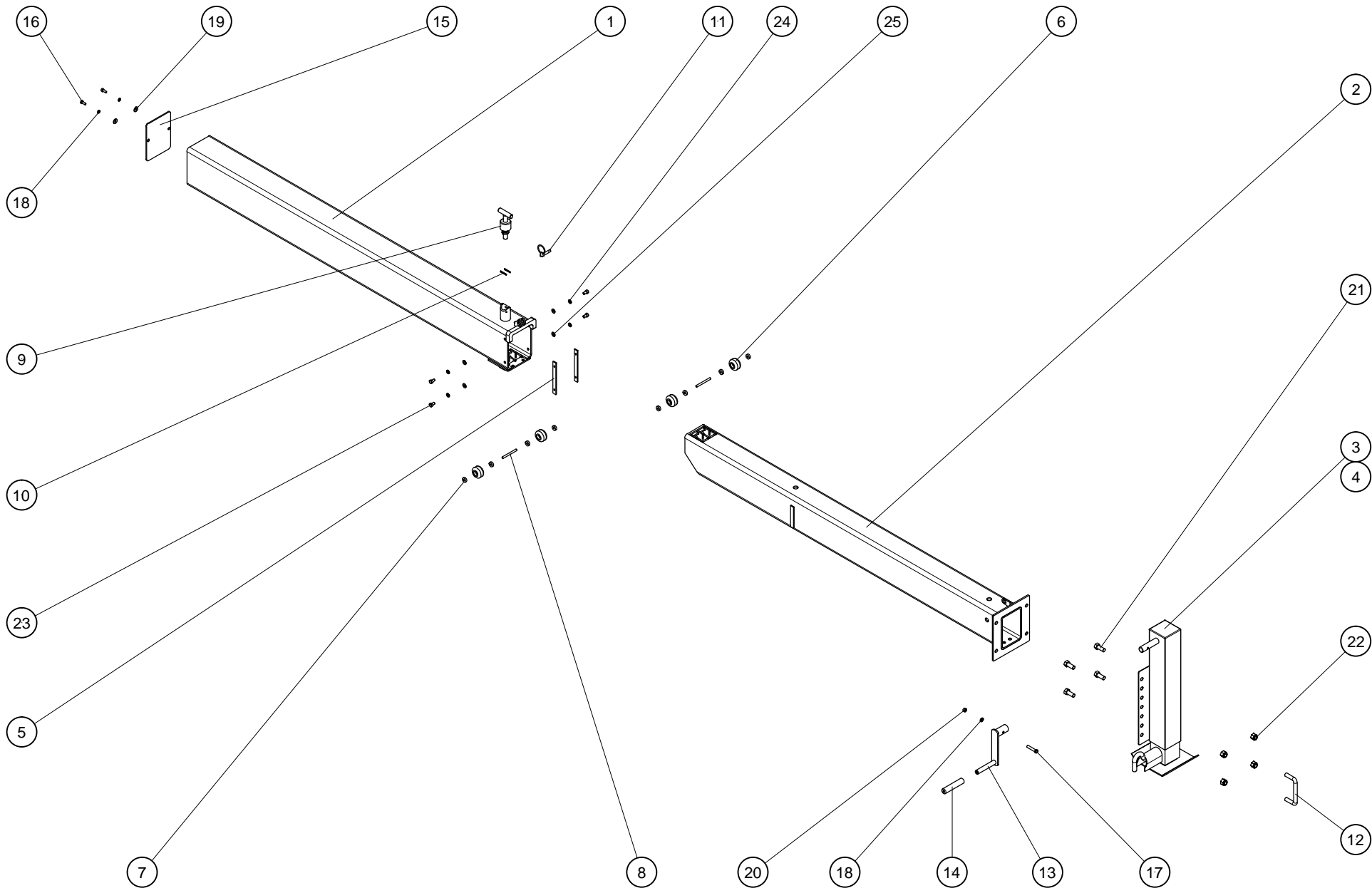
25100-CDD OUTRIGGER

DATE
04-03-17

SUPERSEDES
-

PAGE
08

25304



VENCO VENTURO INDUSTRIES LLC
CINCINNATI, OHIO

PARTS BREAKDOWN

25100-CDD OUTRIGGER ASSEMBLY

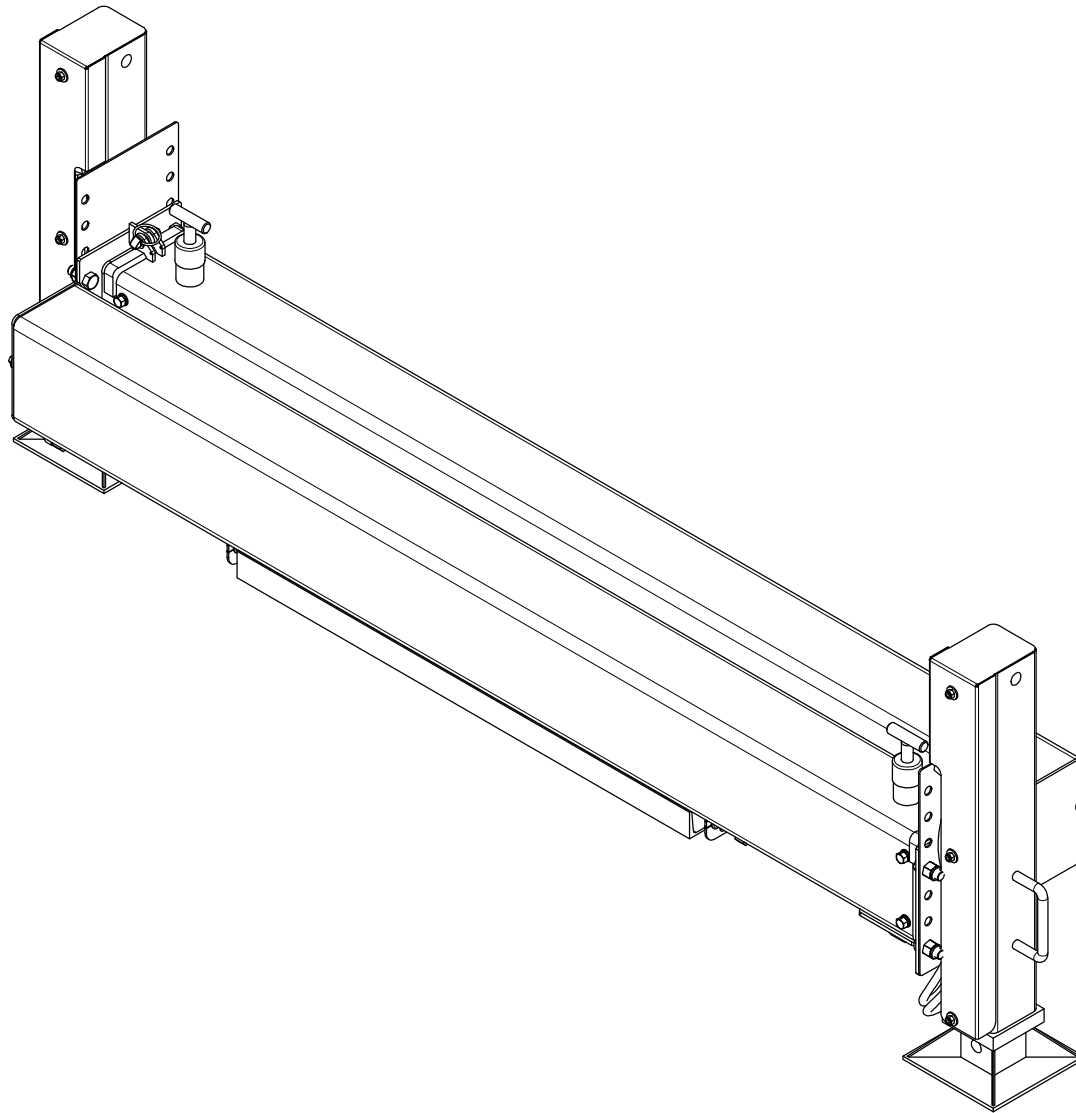
DATE
04-03-17

SUPERSEDES
-

PAGE

09

25305



VENCO VENTURO INDUSTRIES LLC
CINCINNATI, OHIO

ISOMETRIC VIEW

25100-PHD OUTRIGGER (WITH SHORT LEGS)

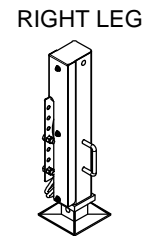
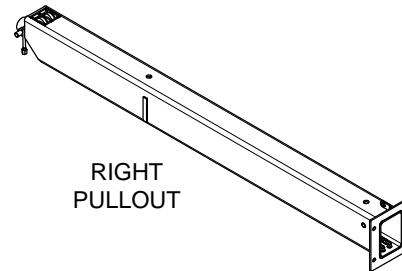
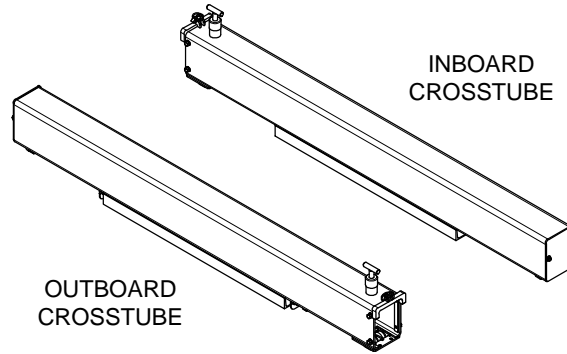
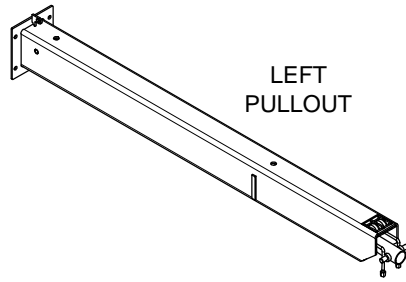
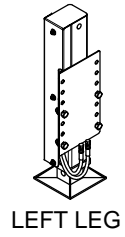
DATE
04-03-17

SUPERSEDES
-

PAGE

10

25306



VENCO VENTURO INDUSTRIES LLC
CINCINNATI, OHIO

PARTS BREAKDOWN, SECTIONS

25100-PHD OUTRIGGER (WITH SHORT LEGS)

DATE
04-03-17

SUPERSEDES
-

PAGE

15

25311

PARTS BREAKDOWN, CROSSTUBES ASSEMBLY, 25100-PHD OUTRIGGERS

PARTS BREAKDOWN 25100-PHD CROSSTUBES ASSEMBLY		OUTBOARD	INBOARD	
#	DESCRIPTION	QTY		PART #
1	CROSSTUBE; 25100-PHD, OUTBOARD	1	-	25085-5
2	CROSSTUBE; 25100-PHD, INBOARD	-	1	25085-4
3	NUT BAR RETAINER & BEARING	2	2	25065
4	SKATEBOARD WHEEL; 53 MM	2	2	25082
5	BEARING; SKATEBOARD WHEEL	4	4	25078
6	AXLE ROD; SKATEBOARD WHEELS	1	1	25090
7	LOCK PIN; SPRING-LOADED	1	1	22668
8	ROLL PIN; 3/16 X 1-3/8, SS	2	2	!RPIN-019138-SS
9	SECURITY PIN W/ CLAMP RING	1	1	24981
10	FITTING; BULKHEAD, 90°, LONG, 6MJ-6MJ	2	2	H2701LN-0606
11	HYDRAULIC TUBE; CROSSOVER, 60"	2	-	25138
12	RUBBER GROMMET; CROSSOVER	4	-	14883
13	CLAMP PLATE; CROSSOVER	2	-	25157
14	COVER; END CAP, CROSSTUBE	1	1	25183
15	HHCS; 5/16-18 X 3/4, GR. 5, ZINC	4	2	!HHCS03118075
16	LOCK WASHER; 5/16, GR.5, ZINC	2	2	!LWSH-031
17	FLAT WASHER; 5/16, GR. 5, ZINC	2	2	!FWSH-031
18	LOCK NUT; 5/16-18, GR. 5, ZINC	2	-	!LNUT-03118-N
19	HHCS; 3/8-16 X 5/8, GR. 5, ZINC	2	2	!HHCS03816063
20	LOCK WASHER; 3/8, GR. 5, ZINC	2	2	!LWSH-038
21	FLAT WASHER; 3/8 SAE, GR. 5, ZINC	2	2	!FWSH-038SAE



VENCO VENTURO INDUSTRIES LLC
CINCINNATI, OHIO

PARTS BREAKDOWN

25100-PHD CROSSTUBES

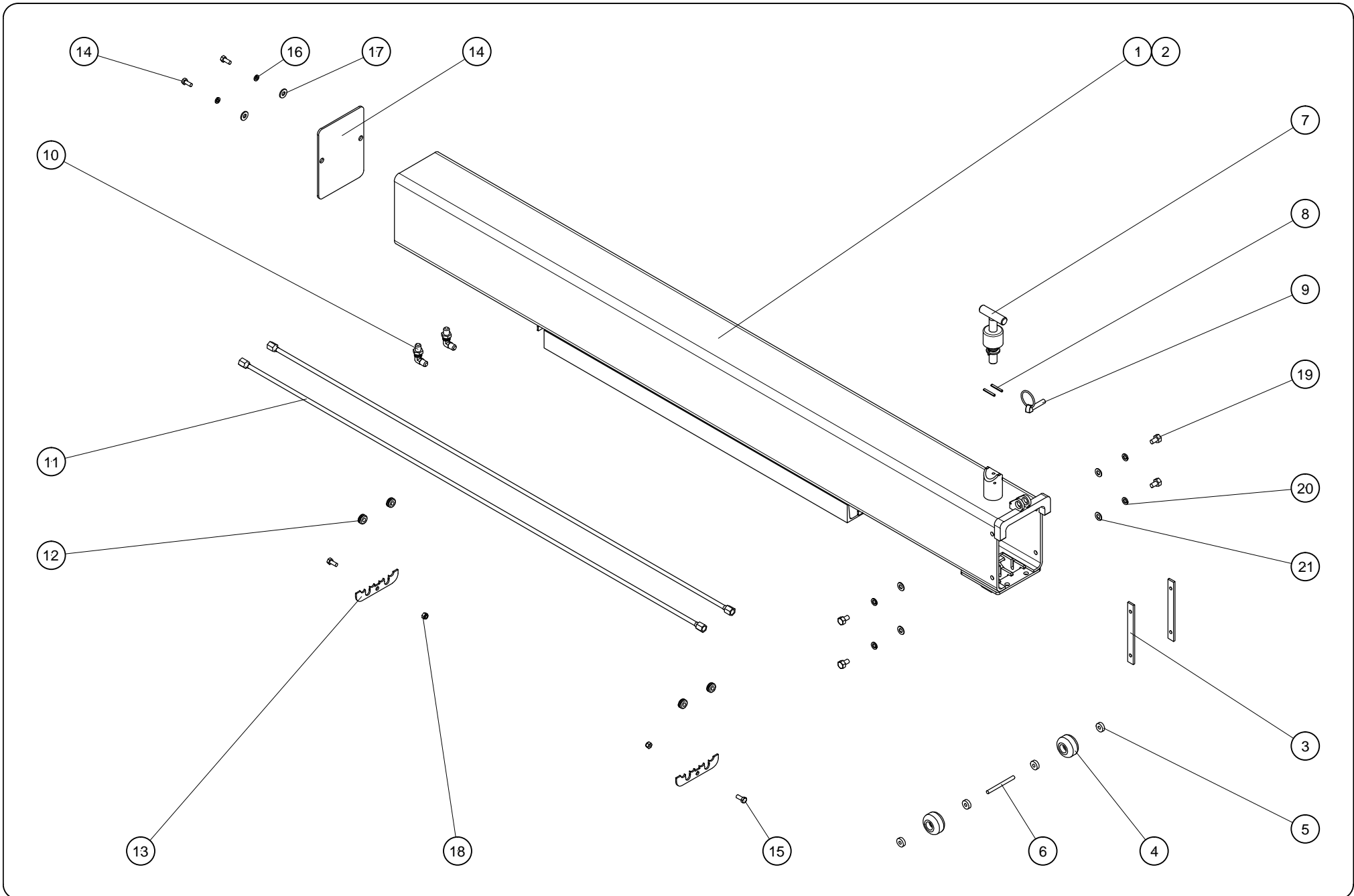
DATE
04-03-17


SUPERSEDES
-

PAGE

16

25312



 VENTURO [®] VENCO VENTURO INDUSTRIES LLC CINCINNATI, OHIO	PARTS BREAKDOWN, CROSSTUBE ASSEMBLY	DATE 04-03-17	PAGE 17
	25100-PHD OUTRIGGERS	SUPERSEDES -	25313

PARTS BREAKDOWN, PULLOUTS ASSEMBLY, 25100-PHD OUTRIGGERS

PARTS BREAKDOWN 25100-PHD PULLOUTS ASSEMBLY		OUTBOARD	INBOARD	
#	DESCRIPTION	QTY		PART #
1	PULLOUT; 4' EXTENSION, 25100-CD/PH	1	1	25087-1
2	PVC PIPE; OUTER, EXTENSION	1	1	25079
3	PVC PIPE; INNER, EXTENSION	1	1	25092
4	HYDRAULIC TUBE; INTERNAL LEFT	1	1	25136
5	HYDRAULIC TUBE; INTERNAL RIGHT	1	1	25137
6	HOSE ASSEMBLY; LEG UP & DOWN	2	2	25149
7	SHAFT; BASE-END, EXTENSION	1	1	25051
8	SHAFT; ROD-END, EXTENSION	1	1	25052
9	SHAFT COLLAR; 3/4", SET SCREW	6	6	00210
10	FITTING; BULKHEAD, 90°, LONG, 6MJ-6MJ	2	2	H2701LN-0606
11	AXLE ROD; SKATEBOARD WHEELS	1	1	25090
12	SKATEBOARD WHEEL; 53MM	2	2	25082
13	BEARING; SKATEBOARD WHEEL	4	4	25078



VENCO VENTURO INDUSTRIES LLC
CINCINNATI, OHIO

PARTS BREAKDOWN

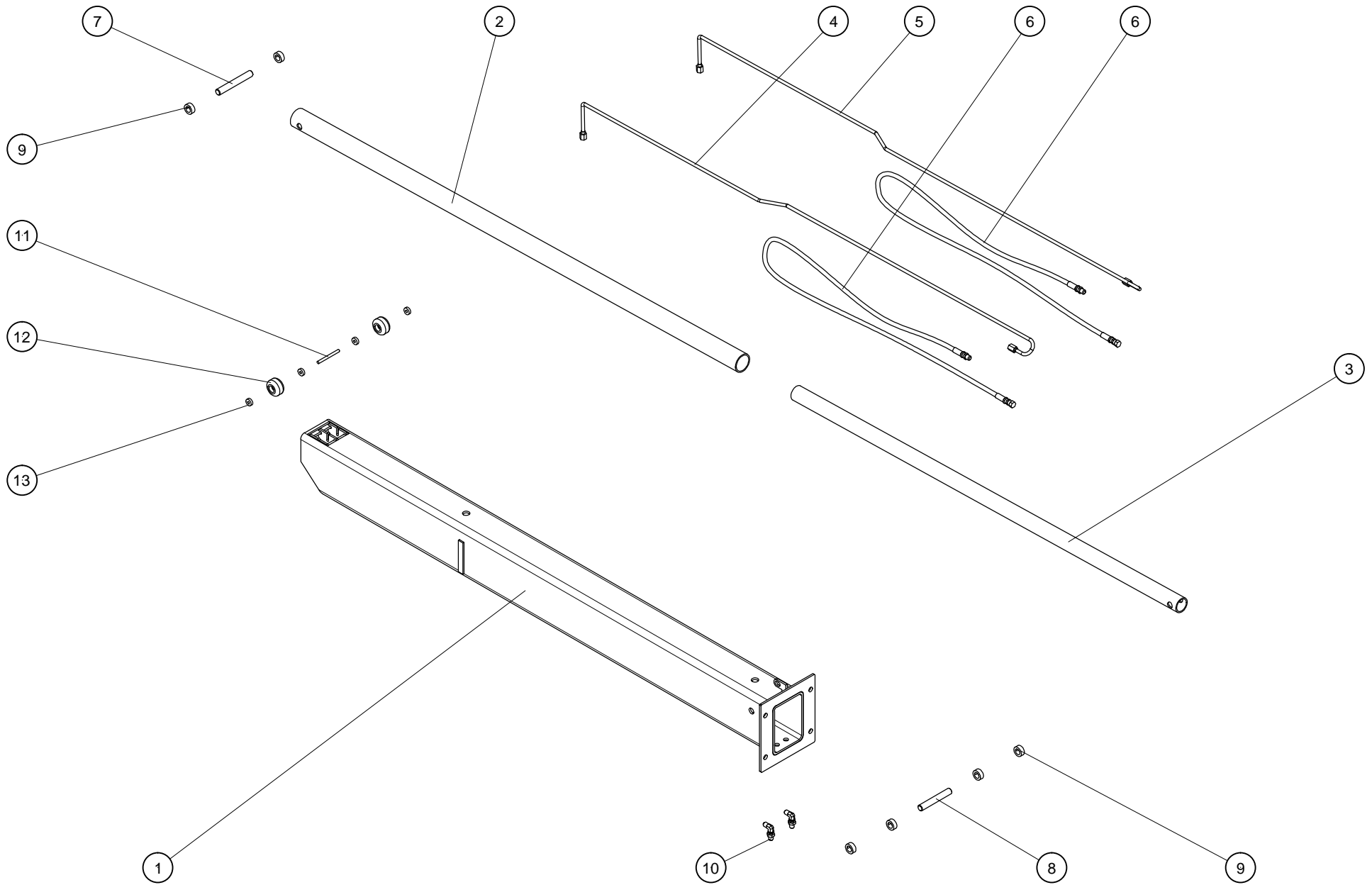
25100-PHD PULLOUTS

DATE
04-03-17

SUPERSEDES
-

PAGE
18

25314



VENCO VENTURO INDUSTRIES LLC
CINCINNATI, OHIO

PARTS BREAKDOWN, PULLOUT ASSEMBLY

25100-PHD OUTRIGGERS

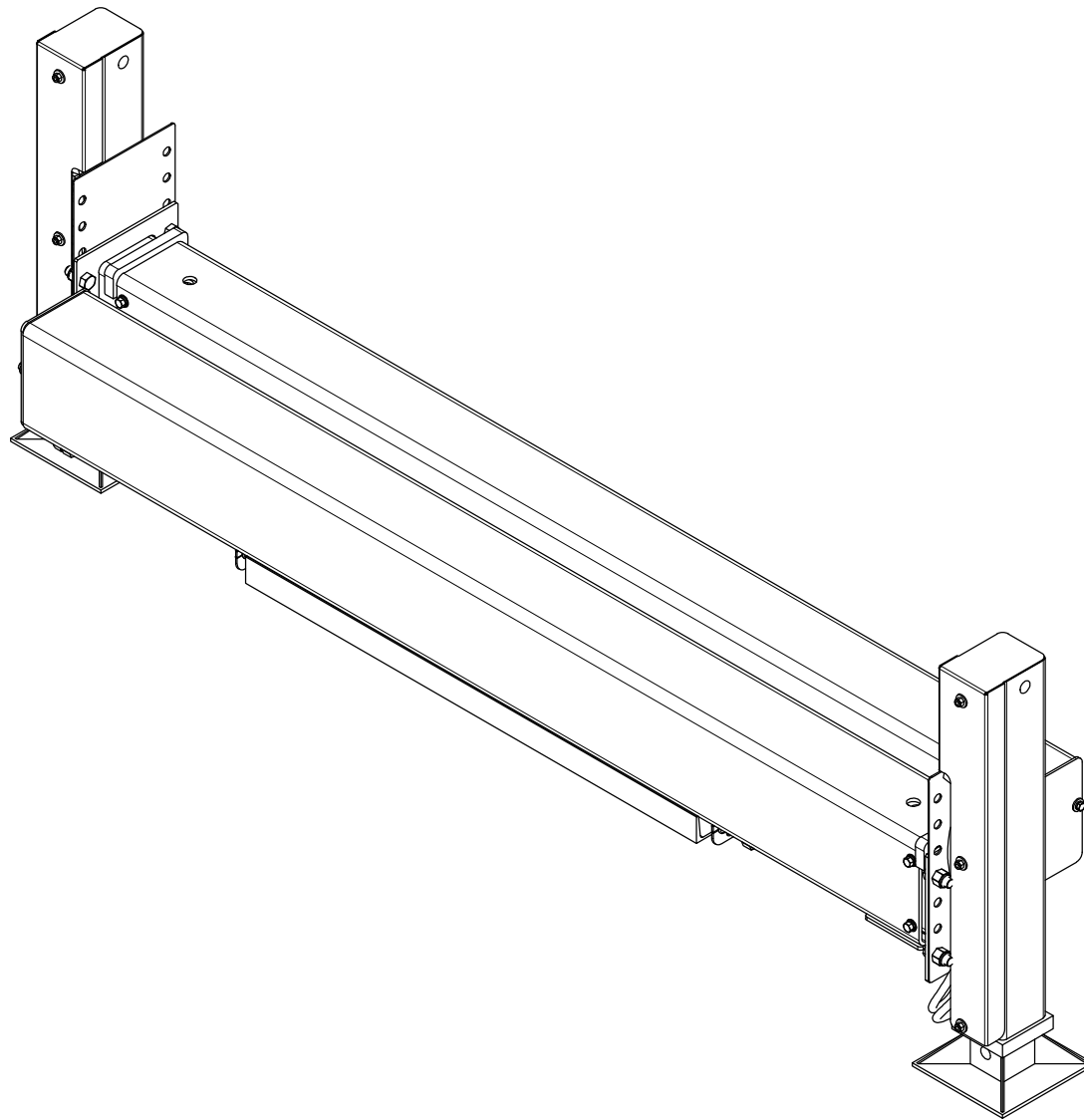
DATE
04-03-17

SUPERSEDES
-

PAGE

19

25315



VENCO VENTURO INDUSTRIES LLC
CINCINNATI, OHIO

ISOMETRIC VIEW

25100-PHXD OUTRIGGER (WITH SHORT LEGS)

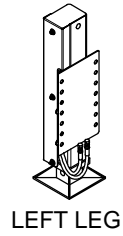
DATE
04-03-17

SUPERSEDES
-

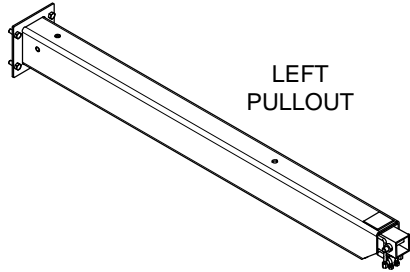
PAGE

20

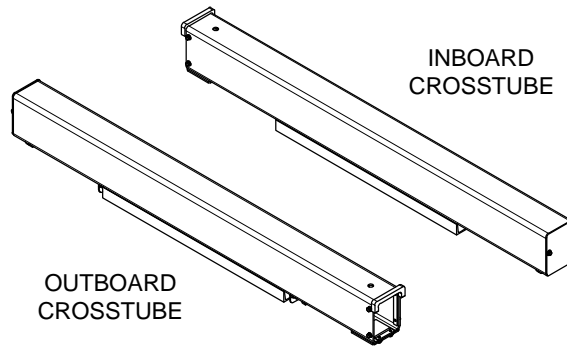
25316



LEFT LEG

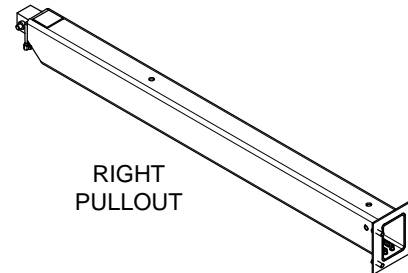


LEFT PULLOUT

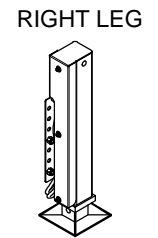


INBOARD CROSSTUBE

OUTBOARD CROSSTUBE



RIGHT PULLOUT



RIGHT LEG



VENCO VENTURO INDUSTRIES LLC
CINCINNATI, OHIO

PARTS BREAKDOWN, SECTIONS

25100-PHXD OUTRIGGER (WITH SHORT LEGS)

DATE
04-03-17

SUPERSEDES
-

PAGE
25

25321

PARTS BREAKDOWN, CROSSTUBES ASSEMBLY, 25100-PHXD OUTRIGGERS

PARTS BREAKDOWN 25100-PHXD CROSSTUBES ASSEMBLY		OUTBOARD	INBOARD	
#	DESCRIPTION	QTY		PART #
1	CROSSTUBE; 25100-PHXD, OUTBOARD	1	-	25085-7
2	CROSSTUBE; 25100-PHXD, INBOARD	-	1	25085-6
3	NUT BAR RETAINER & BEARING	2	2	25065
4	UHMW PAD; 3-1/8 X 3-1/2 X 3/8	1	1	25081
5	NUT BAR RETAINER; UHMW PAD	1	1	25077
6	FITTING; BULKHEAD, 90°, LONG, 6MJ-6MJ	4	4	H2701LN-0606
7	HYDRAULIC TUBE; CROSSOVER, 60"	4	4	25138
8	RUBBER GROMMET; CROSSOVER	8	-	14883
9	CLAMP PLATE; CROSSOVER	2	-	25157
10	COVER; END CAP, CROSSTUBE	1	1	25183
11	HHCS; 5/16-18 X 3/4, GR. 5, ZINC	6	4	!HHCS03118075
12	LOCK WASHER; 5/16, GR.5, ZINC	4	4	!LWSH-031
13	FLAT WASHER; 5/16, GR. 5, ZINC	4	4	!FWSH-031
14	LOCK NUT; 5/16-18, GR. 5, ZINC	2	-	!LNUT-03118-N
15	HHCS; 3/8-16 X 5/8, GR. 5, ZINC	2	2	!HHCS03816063
16	LOCK WASHER; 3/8, GR. 5, ZINC	2	2	!LWSH-038
17	FLAT WASHER; 3/8 SAE, GR. 5, ZINC	2	2	!FWSH-038SAE



VENCO VENTURO INDUSTRIES LLC
CINCINNATI, OHIO

PARTS BREAKDOWN

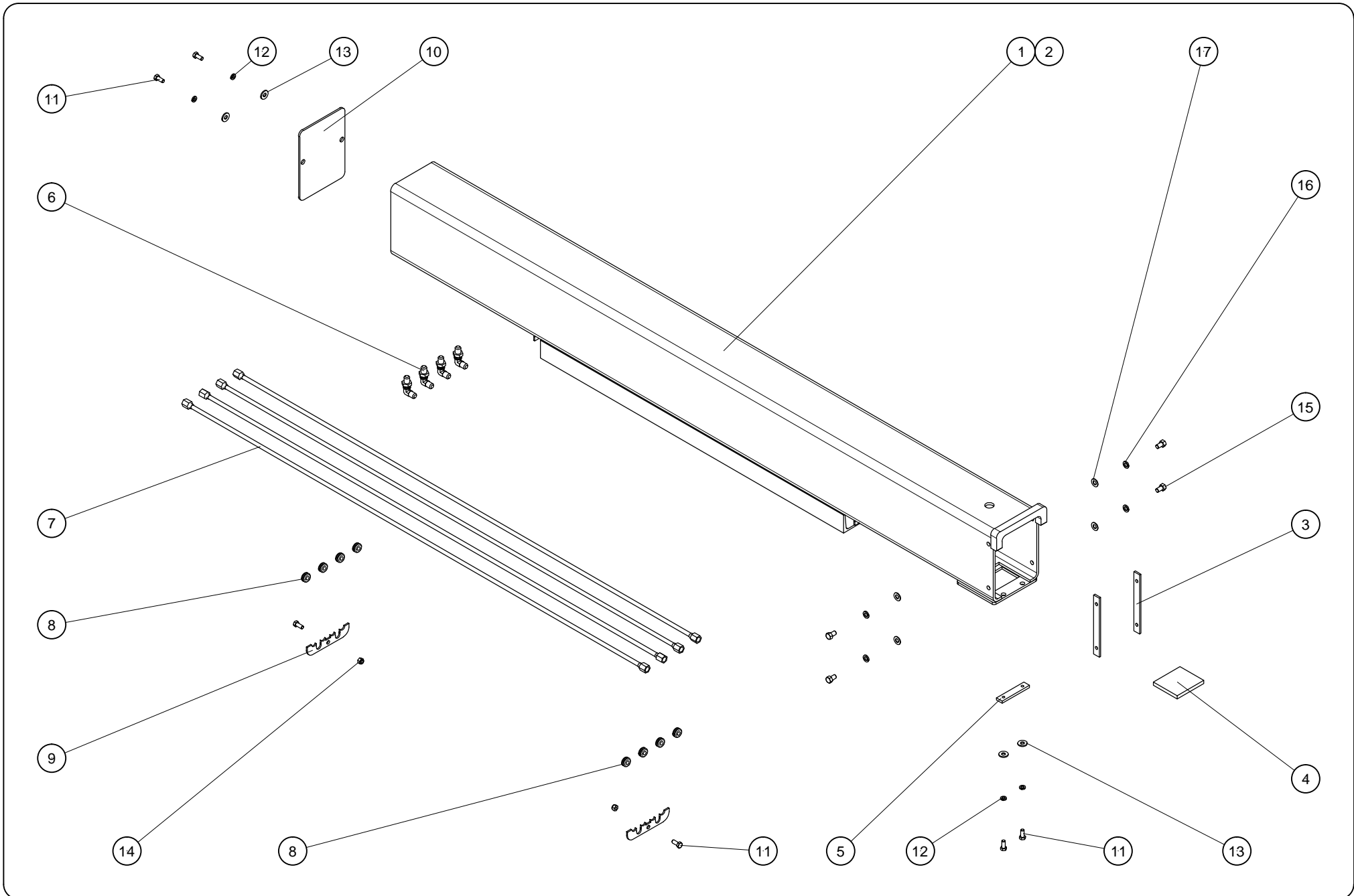
25100-PHXD CROSSTUBES

DATE
04-03-17

SUPERSEDES
-

PAGE
26

25322



VENCO VENTURO INDUSTRIES LLC
CINCINNATI, OHIO

PARTS BREAKDOWN, CROSSTUBE ASSEMBLY

25100-PHXD OUTRIGGERS

DATE
04-03-17

SUPERSEDES
-

PAGE

27

25323

PARTS BREAKDOWN, PULLOUTS ASSEMBLY, 25100-PHXD OUTRIGGERS

PARTS BREAKDOWN 25100-PHXD PULLOUTS ASSEMBLY		OUTBOARD	INBOARD	
#	DESCRIPTION	QTY		PART #
1	PULLOUT; 4' EXTENSION, 25100-CD/PH	1	1	25087-1
2	EXT. CYLINDER; 2" BORE X 48" STROKE	1	1	25086
3	CYLINDER HOUSING; BASE-END	1	1	25088
4	HYDRAULIC TUBE; INTERNAL LEFT	1	1	25136
5	HYDRAULIC TUBE; INTERNAL RIGHT	1	1	25137
6	HOSE ASSEMBLY; LEG UP & DOWN	2	2	25149
7	HOSE ASSEMBLY; CYLINDER OUT	1	1	25154
8	HOSE ASSEMBLY; CYLINDER IN	1	1	25155
9	SHAFT; BASE-END, EXTENSION	1	1	25051
10	SHAFT; ROD-END, EXTENSION	1	1	25052
11	SHAFT; CYLINDER HOUSING	1	1	25049
12	SHAFT COLLAR; 3/4", SET SCREW	6	6	00210
13	SNAP RING; 3/4", PLATED	2	2	ISRNG-075
14	FITTING; ADAPTER, STRAIGHT, 4MJ-8MO	2	2	H6400-0408
15	FITTING; BULKHEAD, 90°, LONG, 6MJ-6MJ	2	2	H2701LN-0606
16	UHMW PAD; 3-1/8 X 3-1/2 X 3/8	1	1	25081



VENCO VENTURO INDUSTRIES LLC
CINCINNATI, OHIO

PARTS BREAKDOWN

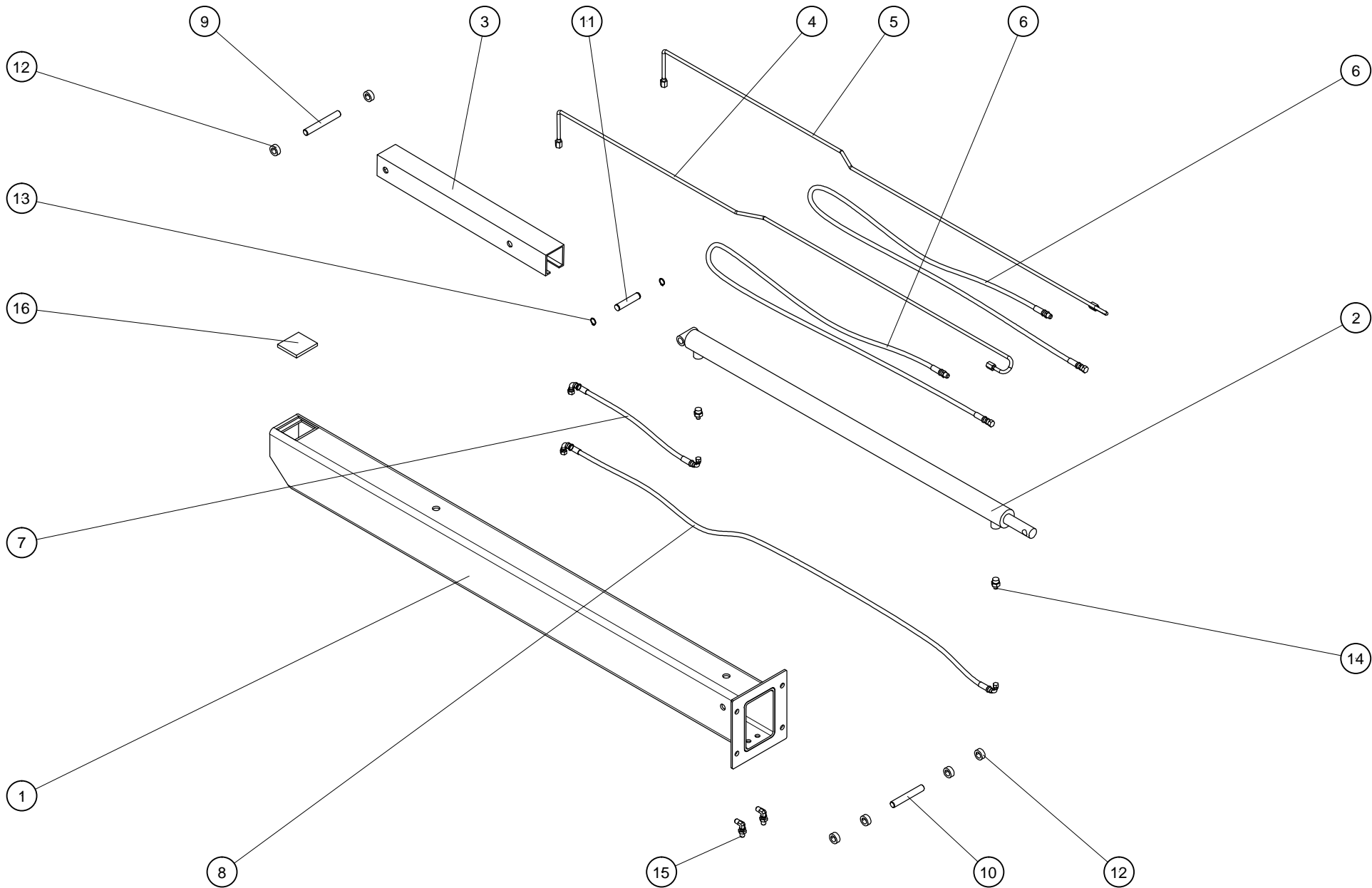
25100-PHXD PULLOUTS

DATE
04-03-17

SUPERSEDES
-

PAGE
28

25324



VENCO VENTURO INDUSTRIES LLC
CINCINNATI, OHIO

PARTS BREAKDOWN, PULLOUT ASSEMBLY

25100-PHXD OUTRIGGERS

DATE
04-03-17

SUPERSEDES
-

PAGE

29

25325

PARTS BREAKDOWN, HYDRAULIC SHORT LEGS, 25100-PH(X)D OUTRIGGERS

PARTS BREAKDOWN HYDRAULIC SHORT LEGS ASSEMBLY		LEFT	RIGHT	
#	DESCRIPTION	QTY		PART #
1	LEG; HYDRAULIC, SHORT, LEFT	1	-	25064-1
2	LEG; HYDRAULIC, SHORT, RIGHT	-	1	25064-2
3	COVER; SHORT HYD. LEG, LEFT	1	-	25069-1
4	COVER; SHORT HYD. LEG, RIGHT	-	1	25069-2
5	HOSE ASSEMBLY; SHORT LEG, RETURN	1	1	25063
6	HOSE ASSEMBLY; SHORT LEG, UP/DOWN	2	2	25147
7	VALVE BLOCK; POC, CARTRIDGE	1	1	22765
8	FITTING; ADAPTER, LONG, 90°, 6MO-6MJ	1	1	H6801L-0606
9	FITTING; COUPLING, SWIVEL, 6FJX-6FJX	1	1	H6565-0606
10	FITTING; ADAPTER, STRAIGHT, 6MJ-8MP	1	1	H2404-0608
11	FITTING; ADAPTER, ELBOW, 90°, 6MO-4MJ	1	1	H6801-0406
12	FITTING; ADAPTER, T-SHAPE, 4MJ-4FJX-4MJ	1	1	H6602-040404
13	FITTING; ADAPTER, STRAIGHT, 6MO-4MJ	1	1	H6400-0406
14	FITTING; ADAPTER, ELBOW, 90°, 4MJ-4FJX	1	1	H6500-0404
15	FITTING; ADAPTER, LONG, 90°, 4MO-4MJ	1	1	H6801LL-0404
16	SPACER; HYD. LEG COVER, 25100 O.R.'S	3	3	25070
17	FLAT WASHER; 5/16", GR. 5, ZINC	3	3	!FWSH-031
18	LOCK NUT; 5/16-18, GR. 5, ZINC, NYLON	3	3	!LNUT-03118
19	HHCS; 5/8-11 X 1-1/2", GR. 8, ZINC	4	4	!HHCS06311150-8
20	LOCK NUT; 5/8-11, GR. 8, ZINC, NYLON	4	4	!LNUT-06311-8
21	C-HANDLE; MANUAL PULLOUT ONLY	1	1	19344



VENCO VENTURO INDUSTRIES LLC
CINCINNATI, OHIO

PARTS BREAKDOWN

HYDRAULIC SHORT LEGS

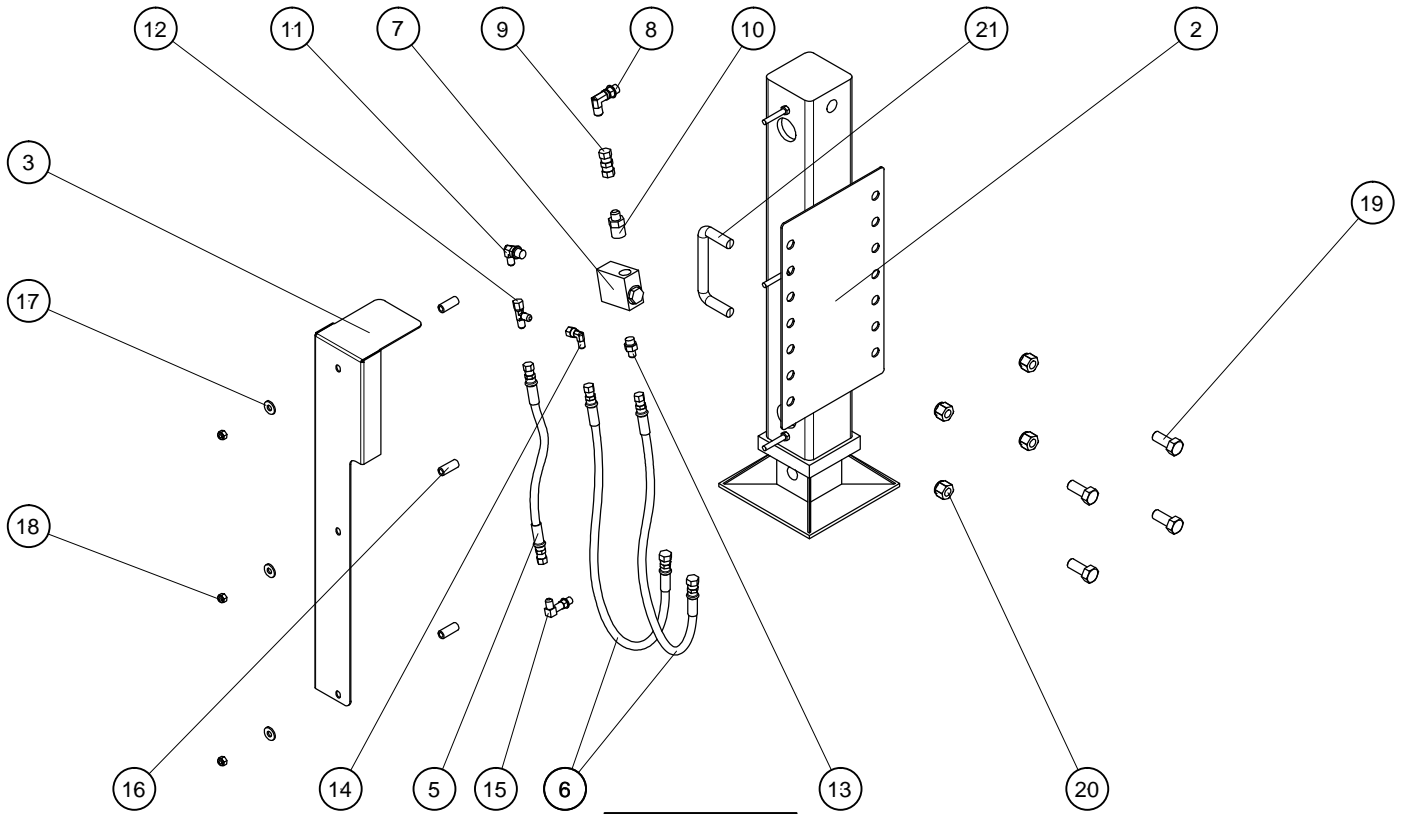
DATE
04-03-17

SUPERSEDES
-

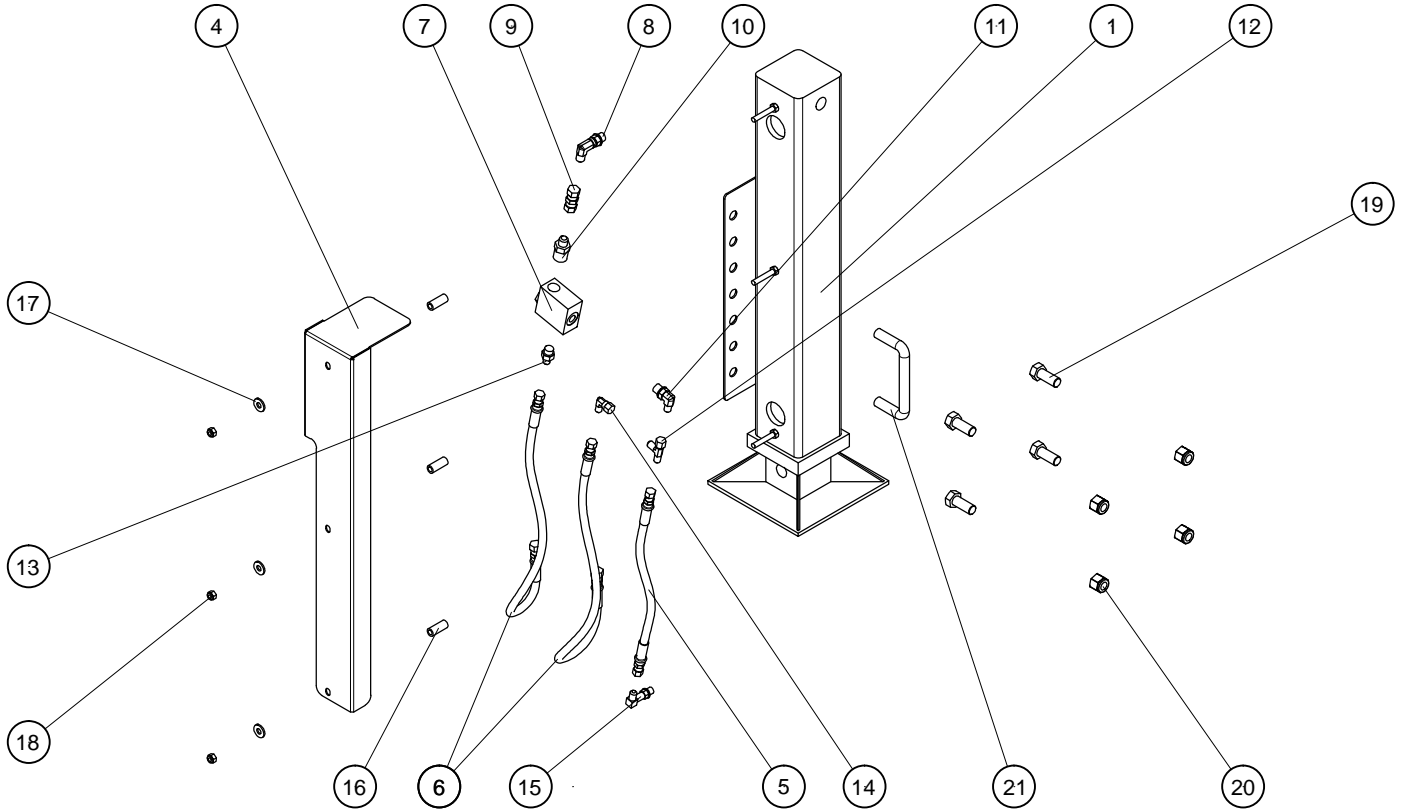
PAGE
30

25326

PARTS BREAKDOWN, HYDRAULIC SHORT LEGS, 25100-PH(X)D OUTRIGGERS



LEFT LEG



RIGHT LEG



VENCO VENTURO INDUSTRIES LLC
CINCINNATI, OHIO

PARTS BREAKDOWN

HYDRAULIC SHORT LEGS

DATE
04-03-17

SUPERSEDES
-

PAGE
31

25327

PARTS BREAKDOWN, HYDRAULIC LONG LEGS, 25100-PH(X)D OUTRIGGERS

PARTS BREAKDOWN HYDRAULIC LONG LEGS ASSEMBLY		LEFT	RIGHT	
#	DESCRIPTION	QTY		PART #
1	LEG; HYDRAULIC, LONG, LEFT	1	-	25055-1
2	LEG; HYDRAULIC, LONG, RIGHT	-	1	25055-2
3	COVER; LONG HYD. LEG, LEFT	1	-	25068-1
4	COVER; LONG HYD. LEG, RIGHT	-	1	25068-2
5	HOSE ASSEMBLY; LONG LEG, RETURN	1	1	25063
6	HOSE ASSEMBLY; LONG LEG, UP/DOWN	2	2	25152
7	VALVE BLOCK; POC, CARTRIDGE	1	1	22765
8	FITTING; ADAPTER, LONG, 90°, 6MO-6MJ	1	1	H6801L-0606
9	FITTING; COUPLING, SWIVEL, 6FJX-6FJX	1	1	H6565-0606
10	FITTING; ADAPTER, STRAIGHT, 6MJ-8MP	1	1	H2404-0608
11	FITTING; ADAPTER, ELBOW, 90°, 6MO-4MJ	1	1	H6801-0406
12	FITTING; ADAPTER, T-SHAPE, 4MJ-4FJX-4MJ	1	1	H6602-040404
13	FITTING; ADAPTER, STRAIGHT, 6MO-4MJ	1	1	H6400-0406
14	FITTING; ADAPTER, ELBOW, 90°, 4MJ-4FJX	1	1	H6500-0404
15	FITTING; ADAPTER, LONG, 90°, 4MO-4MJ	1	1	H6801LL-0404
16	SPACER; HYD. LEG COVER, 25100 O.R.'S	3	3	25070
17	FLAT WASHER; 5/16", GR. 5, ZINC	3	3	!FWSH-031
18	LOCK NUT; 5/16-18, GR. 5, ZINC, NYLON	3	3	!LNUT-03118
19	HHCS; 5/8-11 X 1-1/2", GR. 8, ZINC	4	4	!HHCS06311150-8
20	LOCK NUT; 5/8-11, GR. 8, ZINC, NYLON	4	4	!LNUT-06311-8
21	C-HANDLE; MANUAL PULLOUT ONLY	1	1	19344



VENCO VENTURO INDUSTRIES LLC
CINCINNATI, OHIO

PARTS BREAKDOWN

HYDRAULIC LONG LEGS

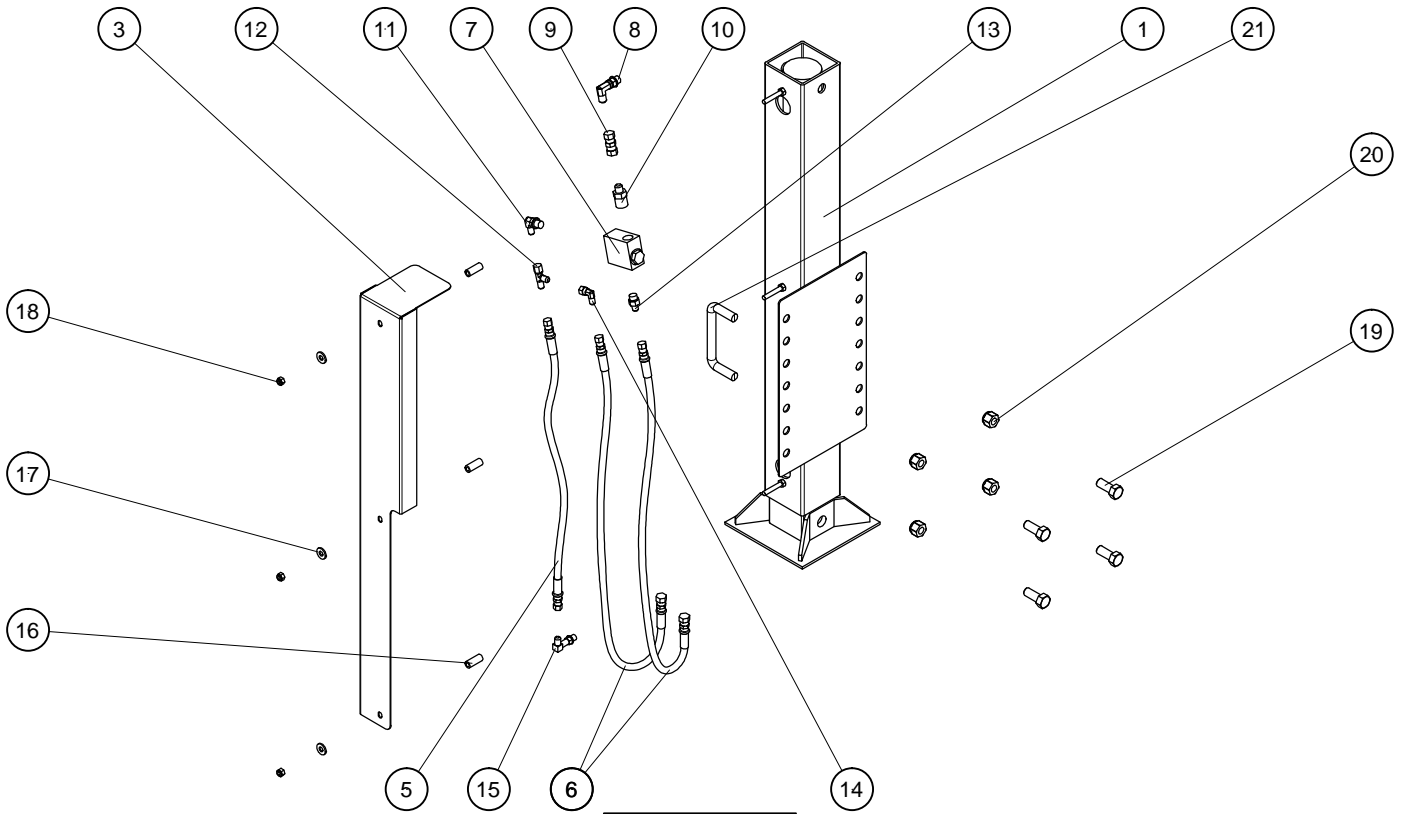
DATE
04-03-17

SUPERSEDES
-

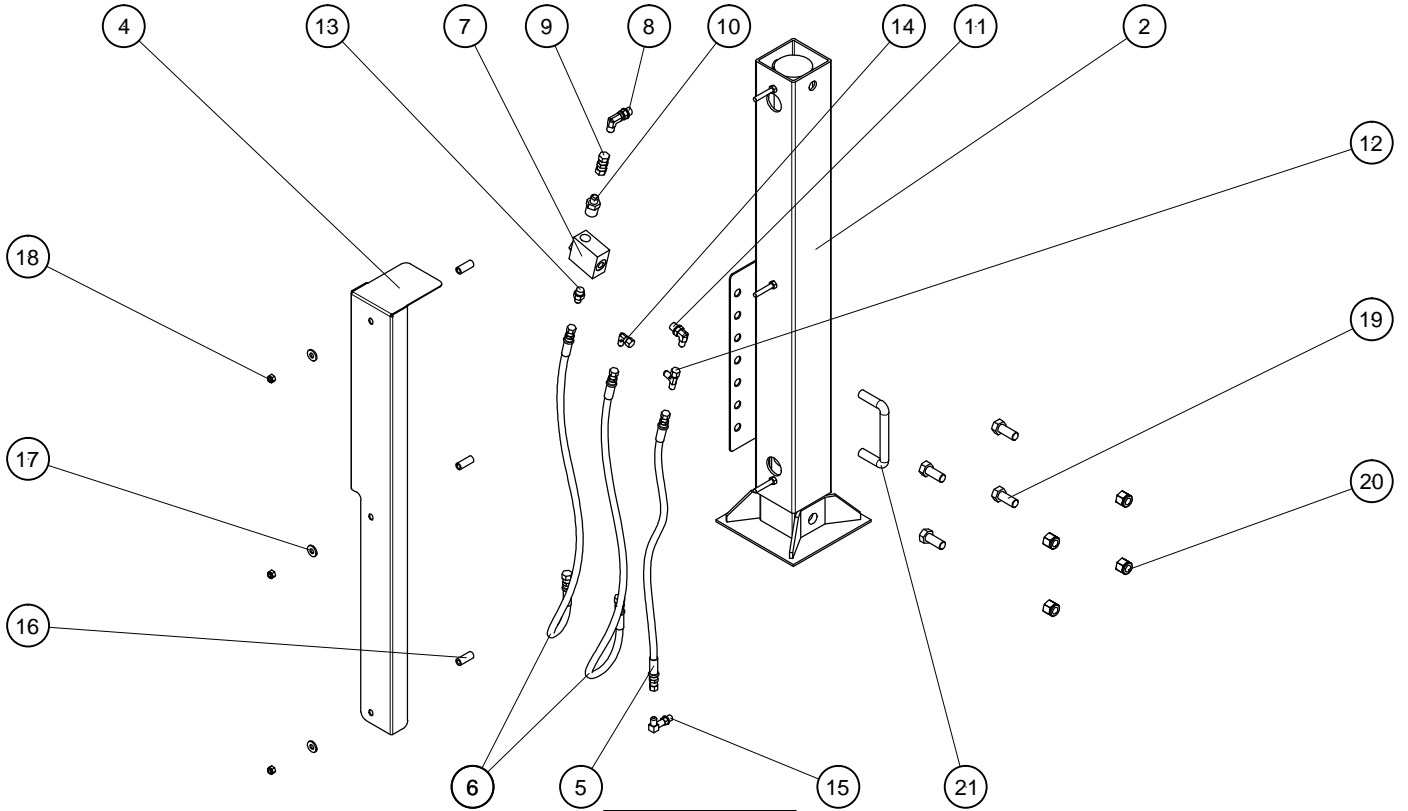
PAGE
32

25328

PARTS BREAKDOWN, HYDRAULIC LONG LEGS, 25100-PH(X)D OUTRIGGERS



LEFT LEG



RIGHT LEG



VENCO VENTURO INDUSTRIES LLC
CINCINNATI, OHIO

PARTS BREAKDOWN

HYDRAULIC LONG LEGS

DATE
04-03-17

SUPERSEDES
-

PAGE
33

25329



VENTURO CRANES LIMITED WARRANTY POLICY

Venturo products are built to last...we guarantee them.

As a purchaser of any new Venturo product covered by warranty, you will receive 1 year of the most complete coverage available...and, at no added cost to you.

1-Year Limited Warranty Policy

This limited policy warrants new products of Venturo to be free from defects in material and workmanship for a period of one (1) year from date of original installation. OEM products or accessories purchased by Venturo as part of or offered with our product will carry the OEM manufacturer's respective warranty. Our warranty covers:

- ***Repair or replacement of product***
- ***Labor to repair or replace product***
- ***Freight to return and/or replace product***

We shall not be liable for any contingent liabilities arising out of the improper function of any products. Warranty shall become void if the product is improperly installed, modified, damaged, abused or used for application other than intended use. There is no warranty of merchantability, fitness for a particular purpose, warranty arising from course of dealing or usage of trade, or any other implied or expressed warranty, except as made specifically herein. This warranty supersedes all previous warranties, written or implied.

Warranty Claims

Venco Venturo Industries LLC will make a good faith effort for prompt correction or other adjustment with respect to any product, which proves to be defective after our inspection and within the warranty period. Before any repairs are attempted or before returning any product, your Venturo Distributor is required to obtain a warranty claim number. This number is necessary for any claim to be considered. To obtain a warranty claim number, Venturo requires the model and serial number. Only authorized Venturo Distributors can perform warranty. For the name and address of your local Venturo Distributor call the **Warranty Claim Department - 513-772-8448**.

WARNING - It is the responsibility of the installer to ensure the installation is completed according to the manufacturer's recommendations, ensure the ultimate user understands how to operate product in a safe manner, and understands the need for regular service and maintenance by an authorized Venturo Distributor. No modifications or alterations may be made to any Venturo product without the expressed written consent of Venco Venturo Industries LLC. Installation of any Venturo product must be done by an authorized Venturo Distributor, to the standards of the industry; including maintenance, service and affixing of all instruction, safety and warning decals. Users should be instructed as to the safe operation at time of delivery. Maintenance, service, operation and safety warning decals are available on request from Venco Venturo Industries LLC.

VENCO VENTURO INDUSTRIES LLC
12110 BEST PLACE | CINCINNATI, OHIO 45241
P: 800-226-2238 | F: 513-326-5427
www.venturo.com