

VENTURO

OWNER'S MANUAL

CRANE ACCESSORIES

Included in this manual:

- MOUNTING PEDESTALS
- MOUNTING SOCKETS
- BOOM RESTS
- HYDRAULIC RESERVOIR TANKS

VENCO VENTURO INDUSTRIES LLC
12110 BEST PLACE | CINCINNATI, OHIO 45241
800-226-2238

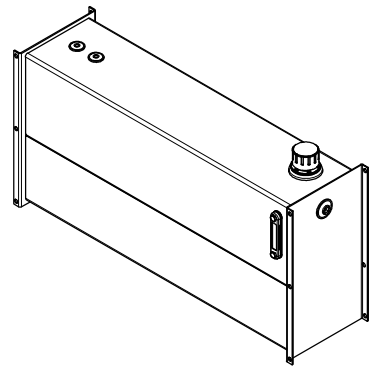
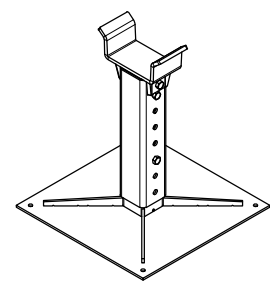
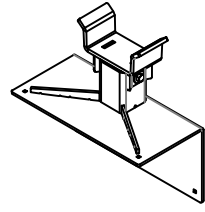
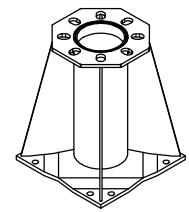
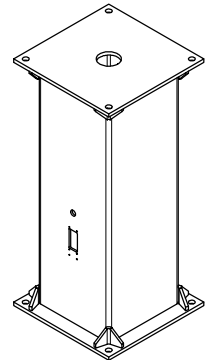


This manual also available online at www.venturo.com.

25762	PART INDEX & APPLICATIONS
7608100	CRANE PEDESTALS
25741	14930 PEDESTAL
25742	20480 PEDESTAL
25761	26022 PEDESTAL
25743	21571 PEDESTAL
25744	21699 PEDESTAL
28934	26027 PEDESTAL
25745	17576 PEDESTAL
28809	17830 PEDESTAL
25747	27656 PEDESTAL
7608200	MOUNTING SOCKETS
25748	13171 TYPE 'A' SOCKET
25749	13172 TYPE 'C' SOCKET
7608300	BOOM RESTS
25750	21440 BOOM REST
25751	20381 BOOM REST
25771	VT1199 BOOM REST
7608400	HYDRAULIC RESERVOIR TANKS
25756	25 GAL. TANK: DIMENSIONS
25757	25 GAL. TANK: PARTS BREAKDOWN
25759	40 GAL. TANK: DIMENSIONS
25760	40 GAL. TANK: PARTS BREAKDOWN
12-00073_VNT1	WARRANTY PAGE

CRANE ACCESSORIES - PART INDEX & APPLICATIONS

CRANE PEDESTALS		
PART NUMBER	HEIGHT(S)	CRANE MODEL(S)
14930	21" & 36"	DT7K
20480	8", 21" & 36"	CT310KX & ET6K (SQ. BASE)
26022	21" & 36"	ET6K (RECT. BASE)
21571	21" & 36"	ET8/12KX
21699	36"	ET16/18KX
26027	21" & 36"	ET8/12/16/18KX (RECT. BASE)
17576	36"	ET25/30/36KX, HT25/30KX
17830	36"	HT40/50KX
27656	36"	HT66KX
MOUNTING SOCKETS		
PART NUMBER	SOCKET TYPE	CRANE MODEL(S)
13171	TYPE 'A', RECESSED	CT200X SERIES
13172	TYPE 'C', PEDESTAL	CT200X SERIES
BOOM RESTS		
PART NUMBER	HEIGHT(S)	CRANE MODEL(S)
21440	13" TO 19"	ET6K, ET8/12K(X)
20381	18" TO 28"	ET16KX & UP
VT1199	6"	ET16KX & UP / 20'+ BOOMS ONLY
HYDRAULIC RESERVOIR TANKS		
KIT NUMBER	MAX LEVEL	
22785	25 GALLONS	
22998	40 GALLONS	

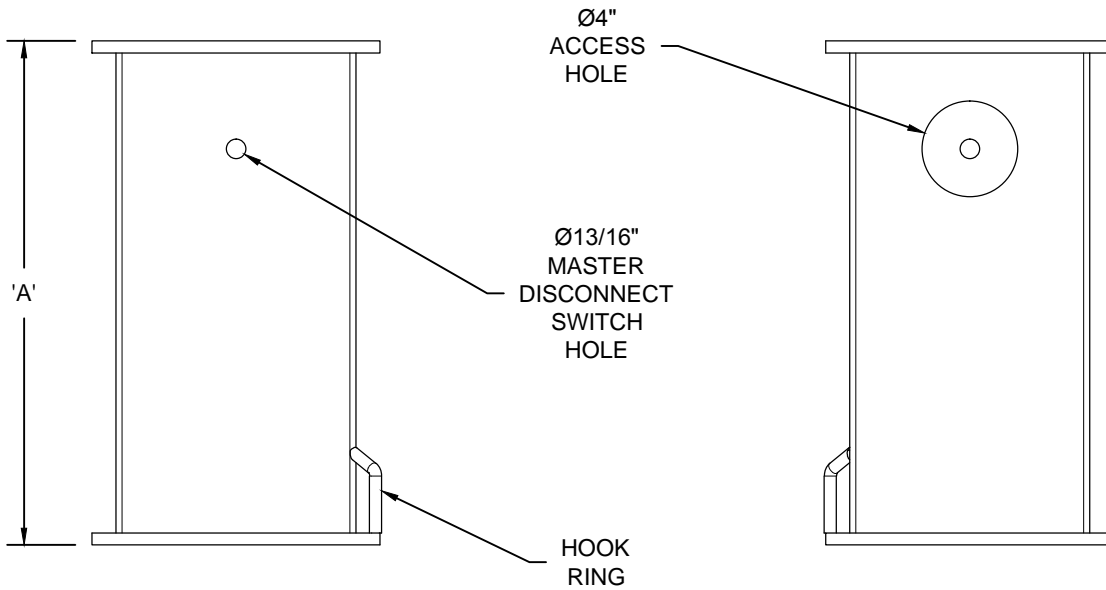
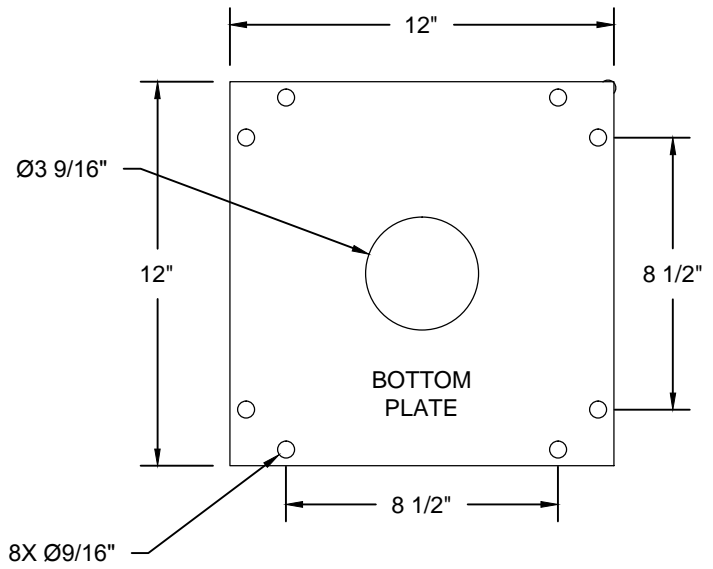
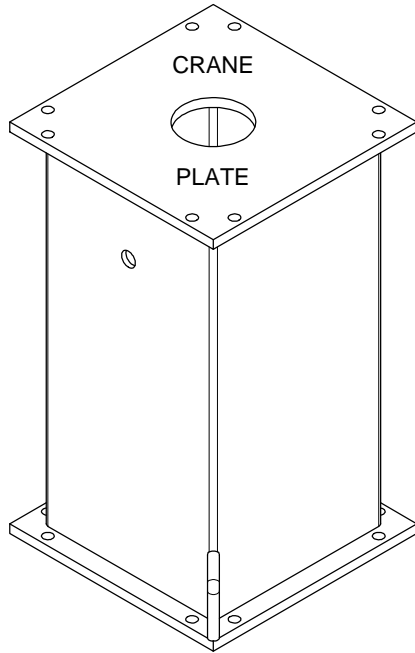


CRANE PEDESTALS



VENCO VENTURO INDUSTRIES LLC
CINCINNATI, OHIO

ACCESSORY OVERVIEW, 14930 PEDESTAL



DIM 'A'
21"
36"

CRANES
DT7K



VENCO VENTURO INDUSTRIES LLC
CINCINNATI, OHIO

14930 PEDESTAL

ACCESSORY OVERVIEW

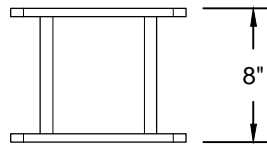
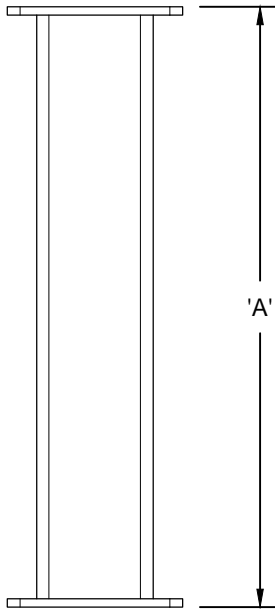
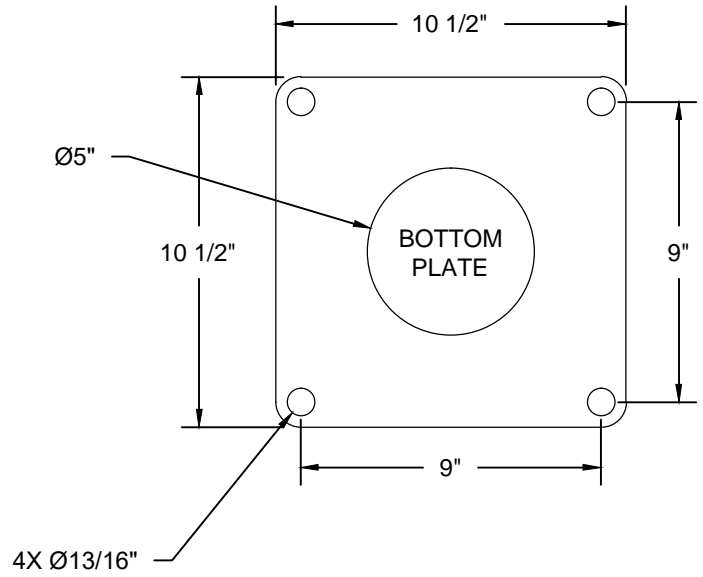
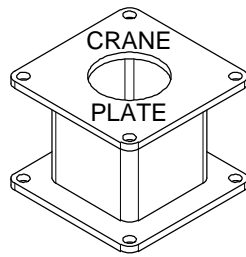
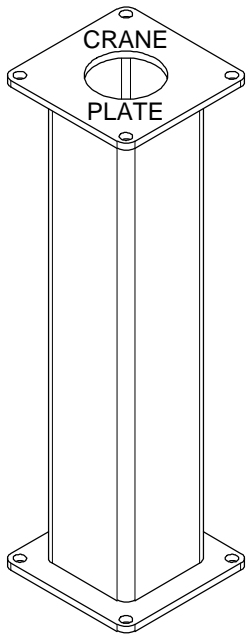
DATE
04-24-17

SUPERSEDES
-

PAGE
01

25741

ACCESSORY OVERVIEW, 20480 PEDESTAL



20480 - DIM "A"		
	ET6K (SQUARE BASE)	CT310KX
NO DASH	-	8"
-21	21"	-
-36	36"	-



VENCO VENTURO INDUSTRIES LLC
CINCINNATI, OHIO

20480 PEDESTAL

ACCESSORY OVERVIEW

DATE
06-24-24A

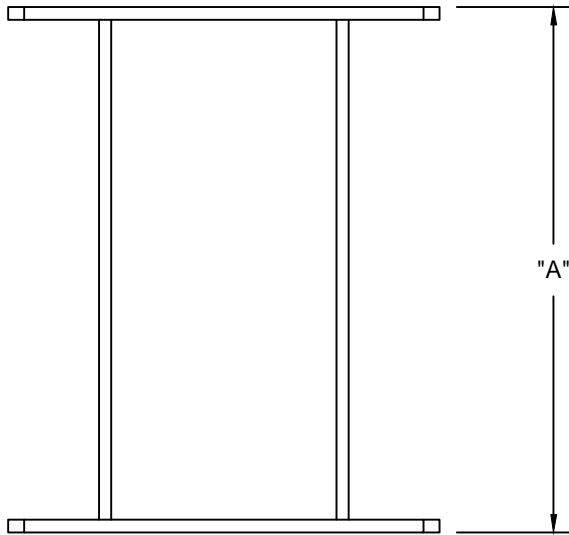
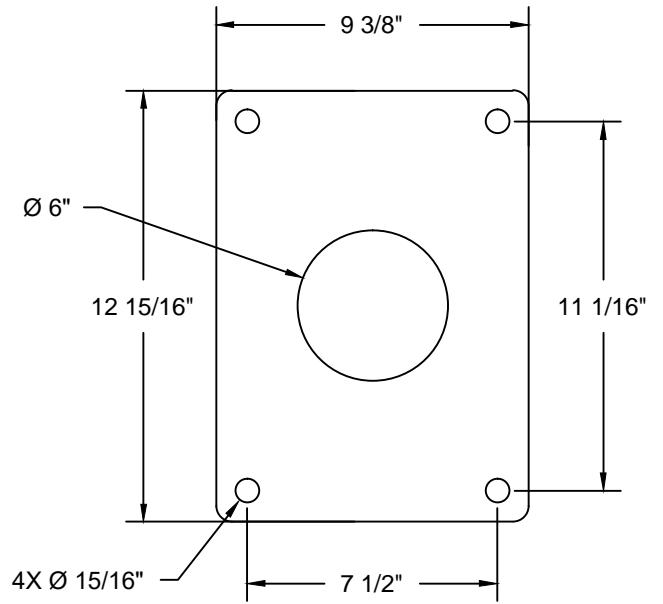
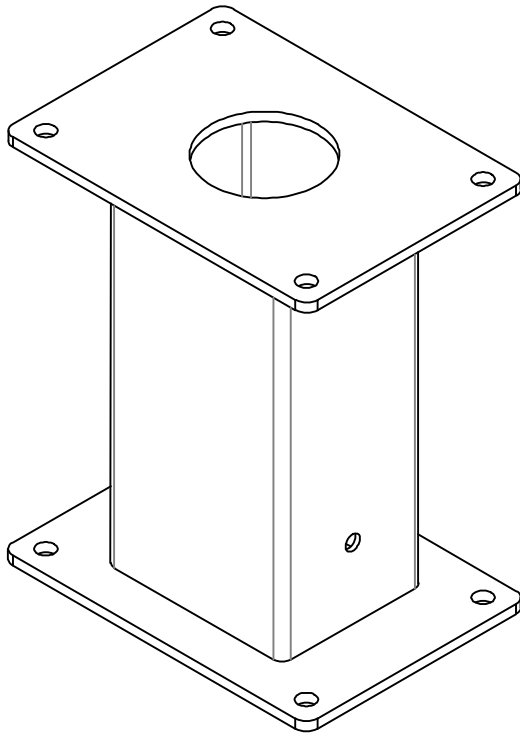
SUPERSEDES
04-24-17

PAGE

02

25742

ACCESSORY OVERVIEW, 26022 PEDESTAL



26022 - DIM "A"	
	ET6K (RECTANGULAR BASE)
NO DASH	-
-21	21"
-36	36"



VENCO VENTURO INDUSTRIES LLC
CINCINNATI, OHIO

26022 PEDESTAL

ACCESSORY OVERVIEW

DATE
06-24-24

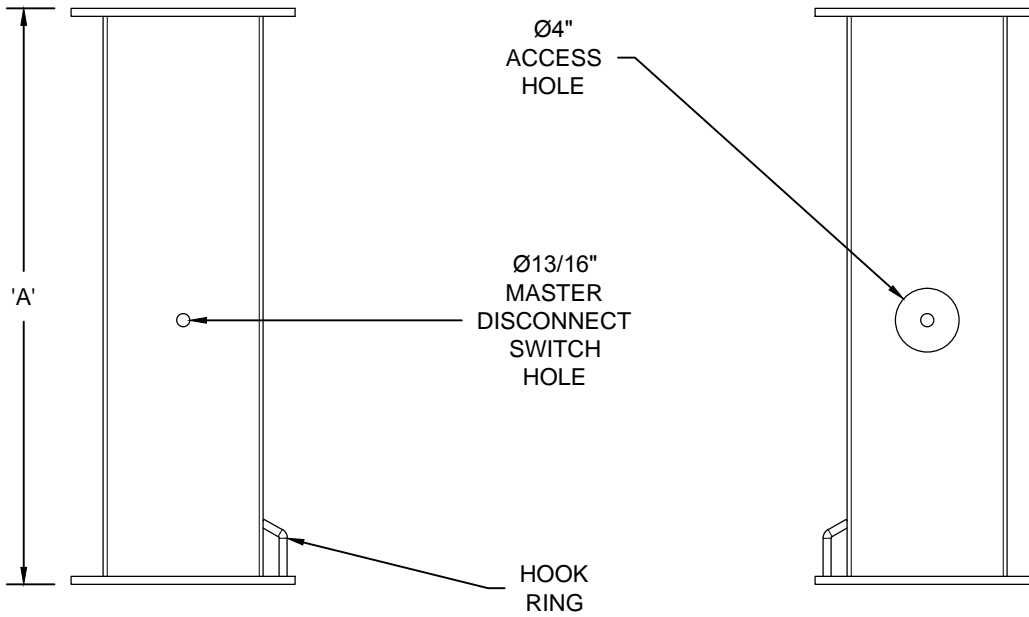
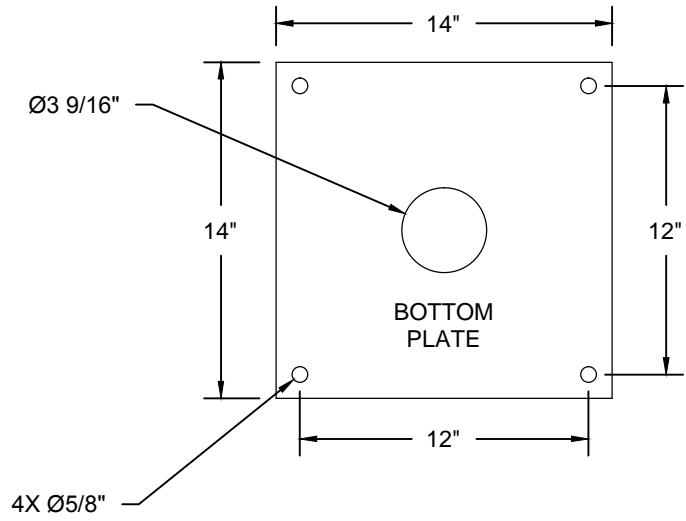
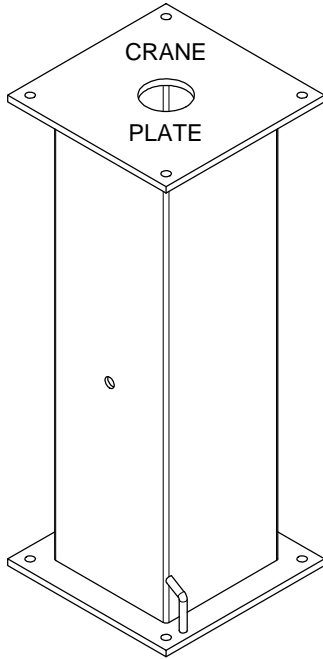
SUPERSEDES
-

PAGE

-

25761

ACCESSORY OVERVIEW, 21571 PEDESTAL



DIM 'A'
21"
36"

CRANES
ET8/12K(X)



VENCO VENTURO INDUSTRIES LLC
CINCINNATI, OHIO

21571 PEDESTAL

ACCESSORY OVERVIEW

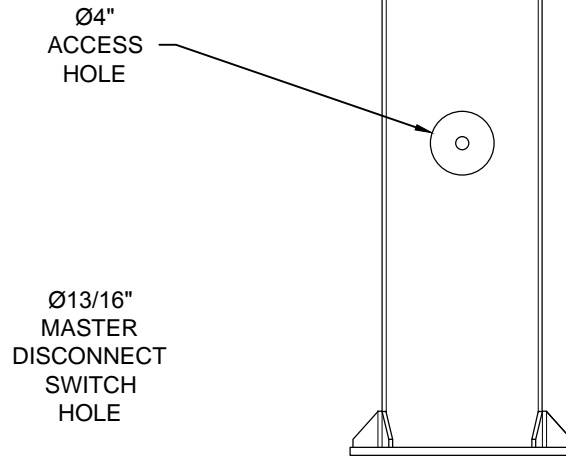
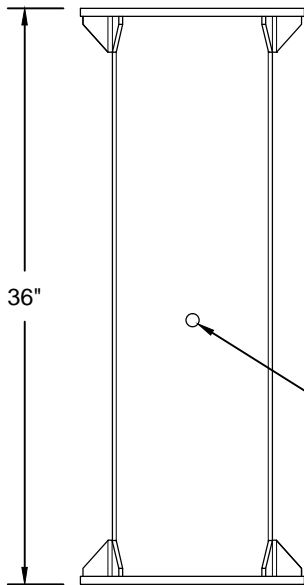
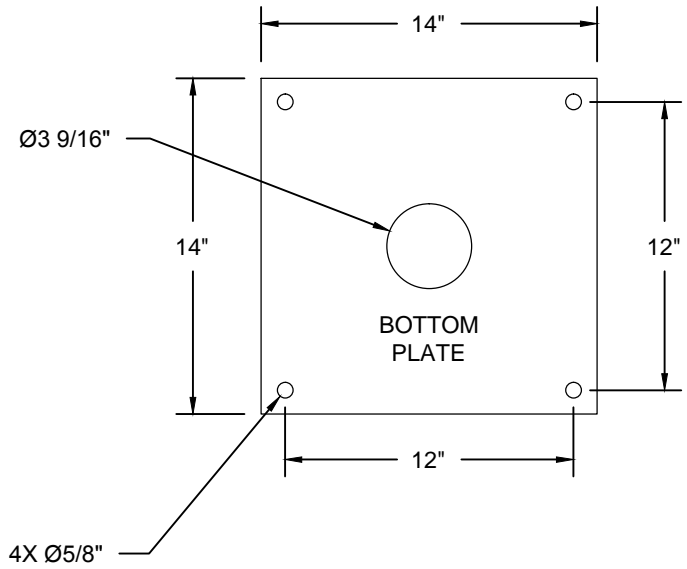
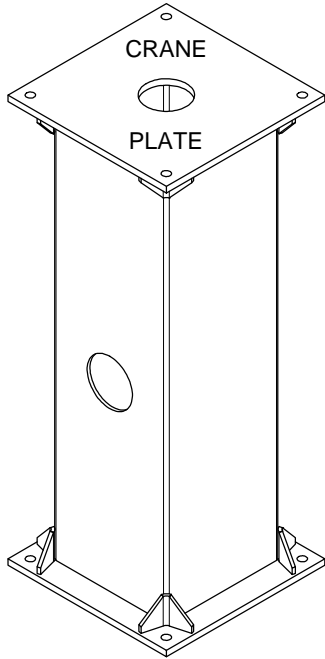
DATE
04-24-17

SUPERSEDES
-

PAGE
03

25743

ACCESSORY OVERVIEW, 21699 PEDESTAL



CRANES
ET16/18KX



VENCO VENTURO INDUSTRIES LLC
CINCINNATI, OHIO

21699 PEDESTAL

ACCESSORY OVERVIEW

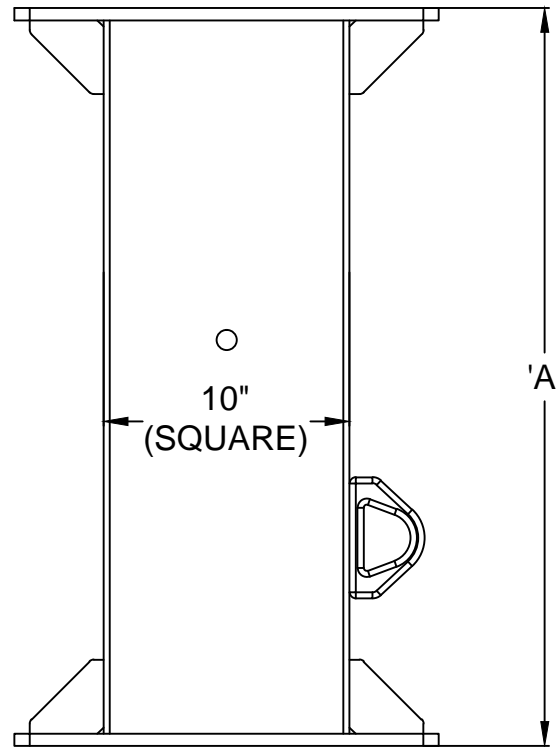
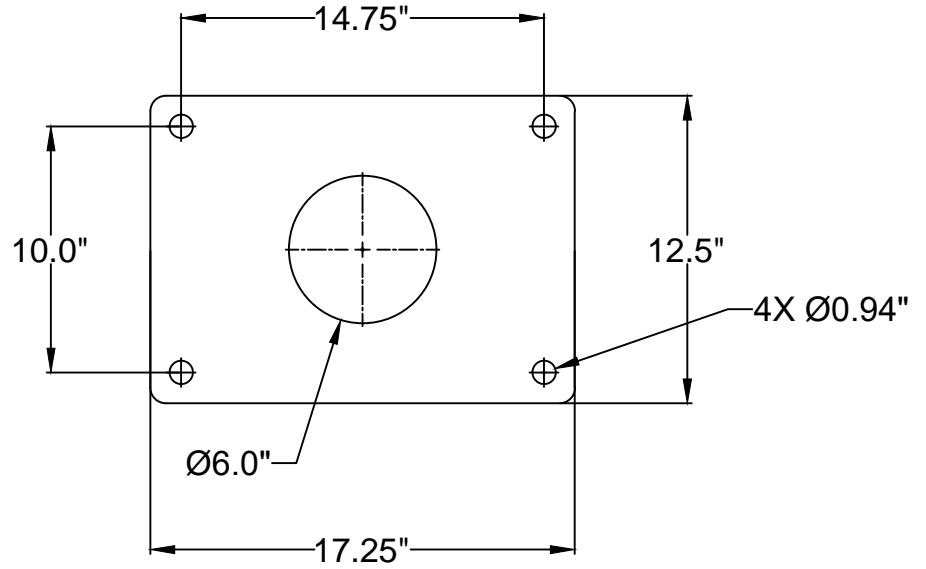
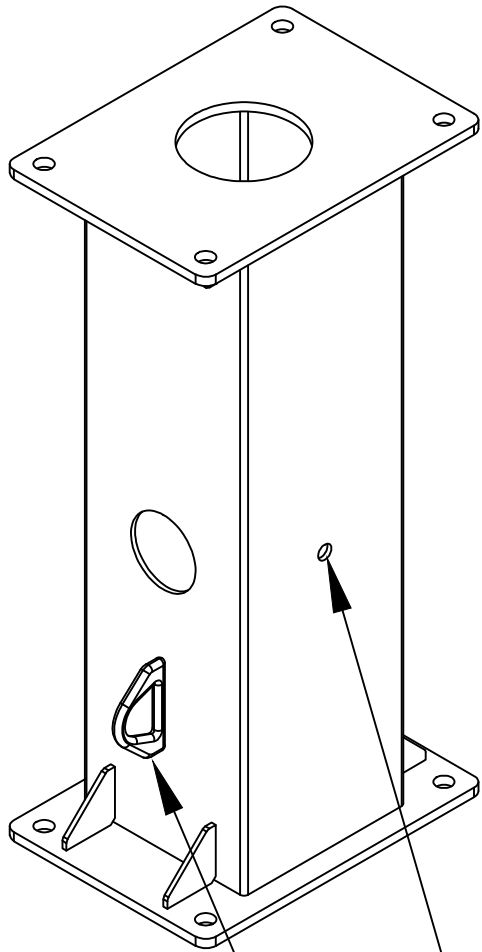
DATE
04-24-17

SUPERSEDES
-

PAGE
04

25744

ACCESSORY OVERVIEW, 26027 PEDESTAL



HOOK TIE DOWN
 MASTER DISCONNECT
 SWITCH HOLE ON BOTH SIDES

CRANES
ET8/12/16/18 W/ RECTANGULAR BASE PLATE

HEIGHT - DIM 'A'	
DASH #	'A'
-21	21"
-36	36"



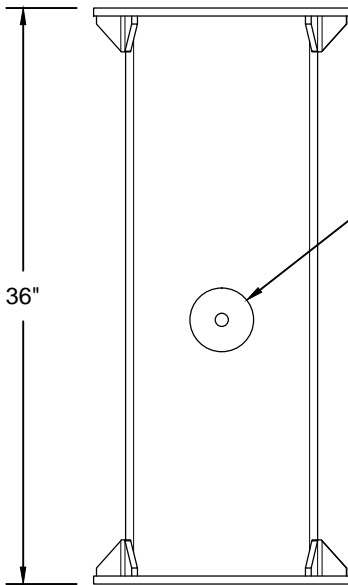
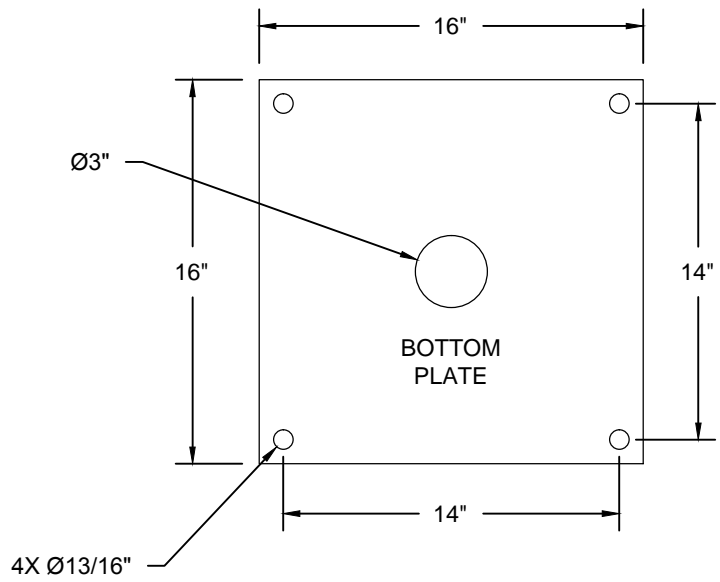
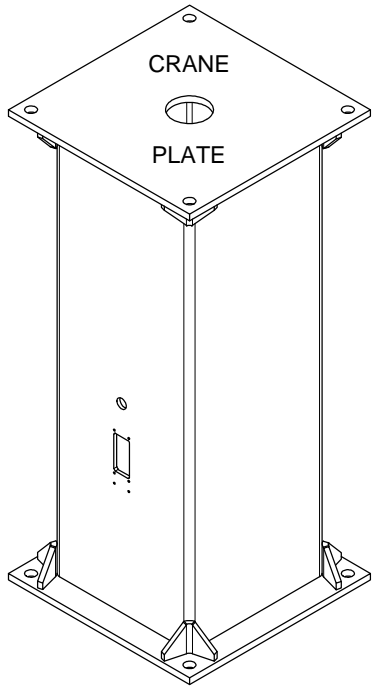
VENCO VENTURO INDUSTRIES LLC
 CINCINNATI, OHIO

TITLE
26027 PEDESTAL
 ACCESSORY OVERVIEW

DATE
09-20-24A
 SUPERSEDES
09-11-24

SECTION
C100
28934

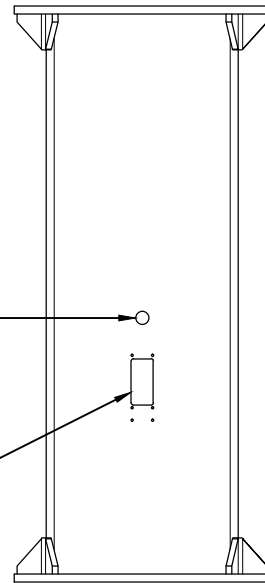
ACCESSORY OVERVIEW, 17576 PEDESTAL



Ø4"
ACCESS
HOLE

Ø13/16"
MASTER
DISCONNECT
SWITCH
HOLE

PENDANT
SOCKET
CUT-OUT



CRANES

ET25/30/36KX

HT25/30KX



VENCO VENTURO INDUSTRIES LLC
CINCINNATI, OHIO

17576 PEDESTAL

ACCESSORY OVERVIEW

DATE
04-24-17

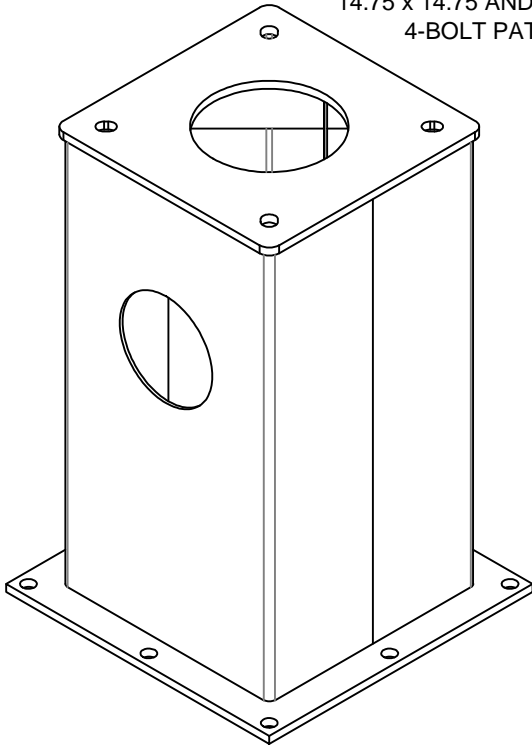
SUPERSEDES
-

PAGE
05

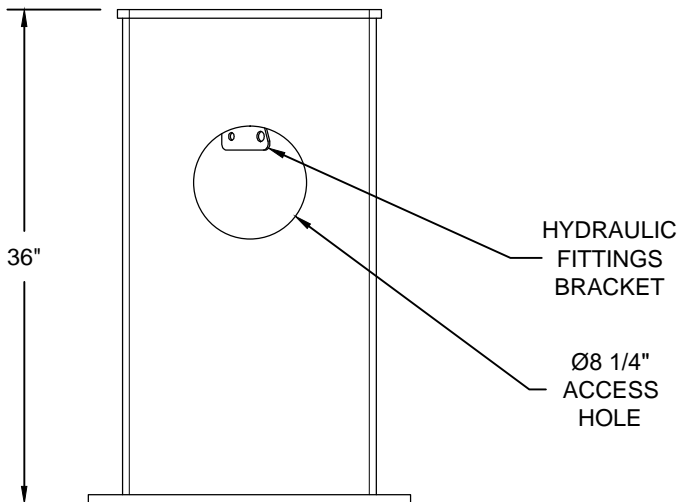
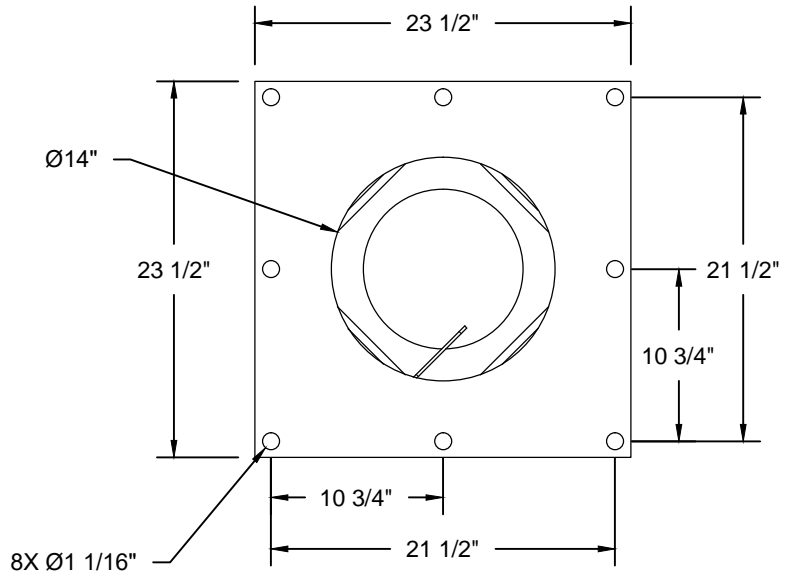
25745

ACCESSORY OVERVIEW, 17830 PEDESTAL

CRANE BASE PLATE -
ACCOMODATES
14.75 x 14.75 AND 14.38 x 14.38
4-BOLT PATTERNS



BOTTOM PLATE
(MOUNTS TO TRUCK)



CRANES
HT40/45/50 W/ 4-BOLT CRANE BASE PLATE



VENCO VENTURO INDUSTRIES LLC
CINCINNATI, OHIO

17830 PEDESTAL (4-BOLT)

ACCESSORY OVERVIEW

DATE
09-23-24

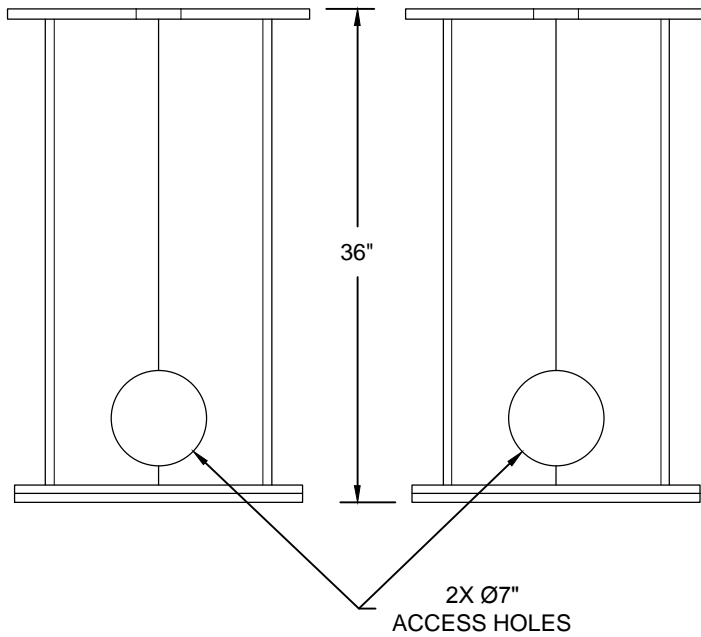
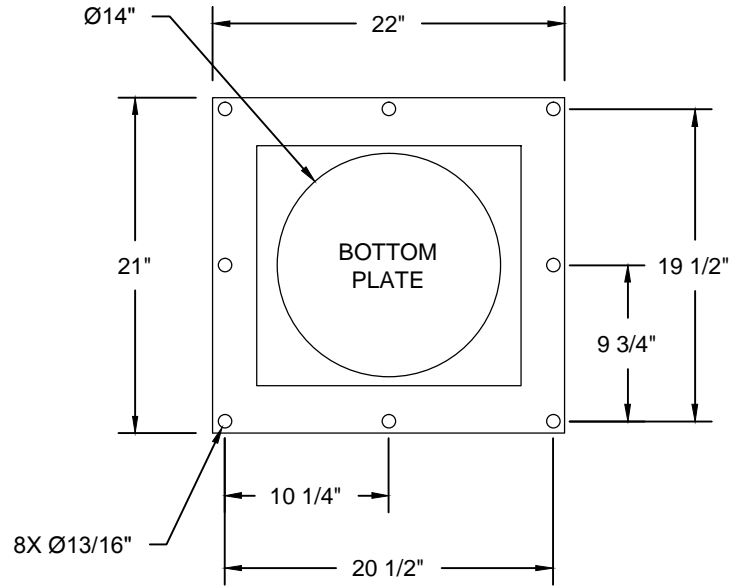
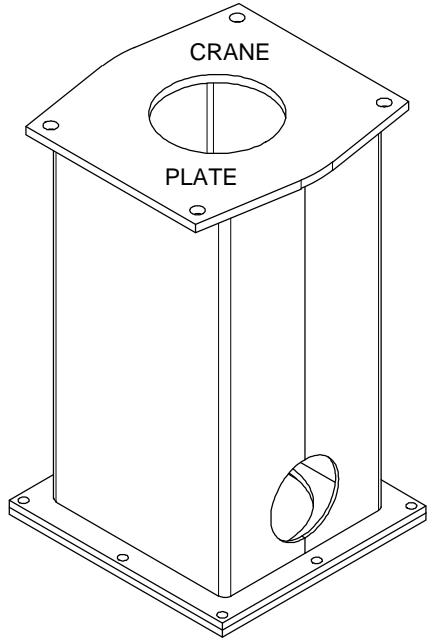
SUPERSEDES
-

PAGE

-

28809

ACCESSORY OVERVIEW, 27656 PEDESTAL



CRANES
HT66KX



VENCO VENTURO INDUSTRIES LLC
CINCINNATI, OHIO

27656 PEDESTAL

ACCESSORY OVERVIEW

DATE
09-24-20A

SUPERSEDES
04-24-17

PAGE
07

25747

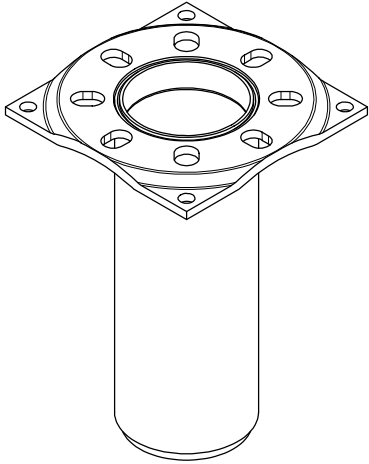
MOUNTING SOCKETS



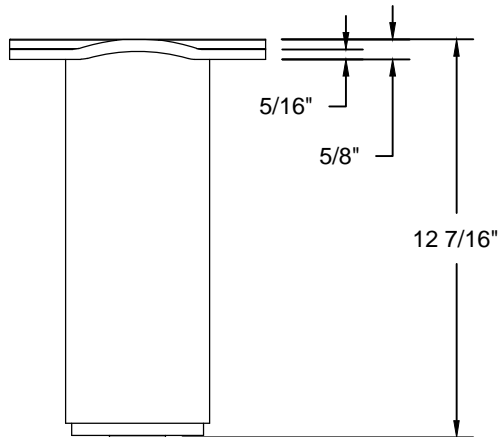
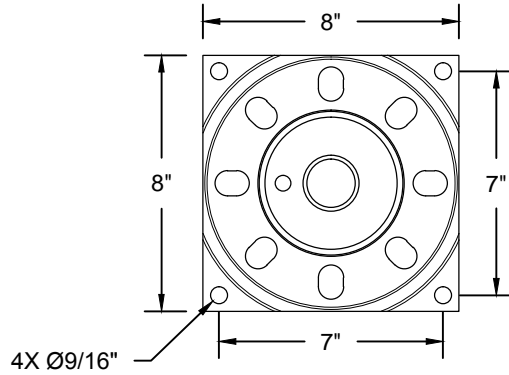
VENCO VENTURO INDUSTRIES LLC
CINCINNATI, OHIO

ACCESSORY OVERVIEW, 13171 TYPE 'A' SOCKET

CRANE PLATE

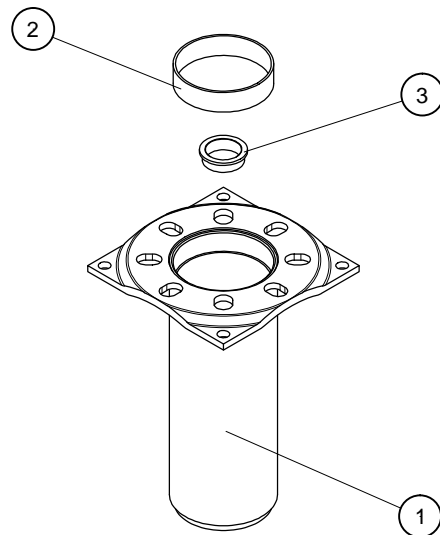


BOTTOM PLATE



CRANES
CT2003
CT2004
CT2005

PARTS BREAKDOWN			
#	DESCRIPTION	QTY	PART #
1	MOUNTING SOCKET	1	13171-WELD
2	FIBER BEARING	1	20179
3	BRONZE BEARING	1	11893



VENCO VENTURO INDUSTRIES LLC
CINCINNATI, OHIO

13171 TYPE 'A' SOCKET

ACCESSORY OVERVIEW

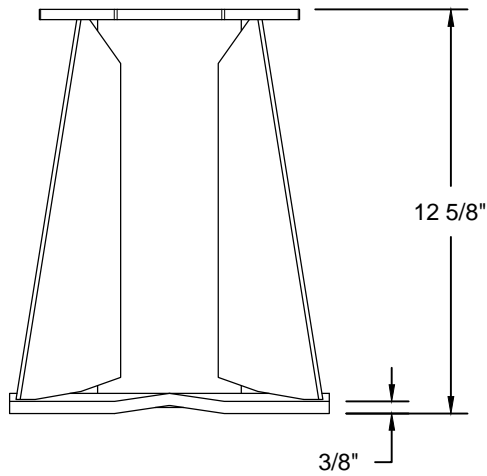
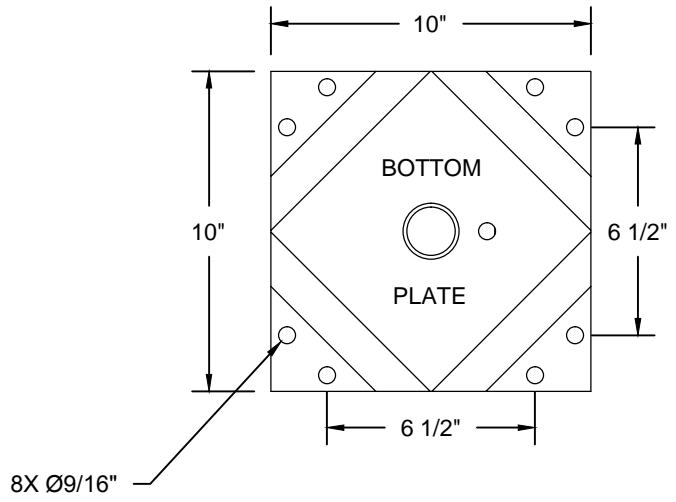
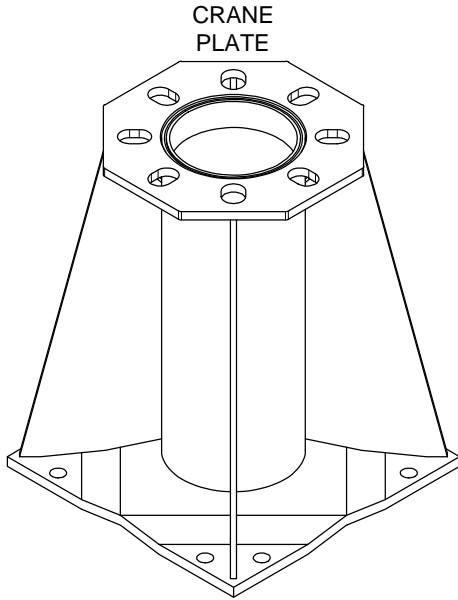
DATE
04-24-17

SUPERSEDES
-

PAGE
08

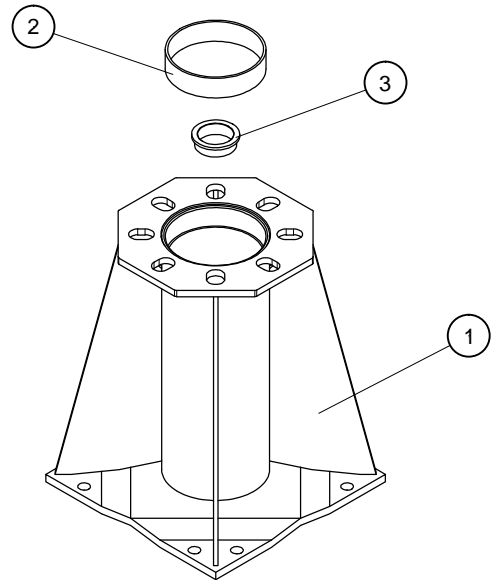
25748

ACCESSORY OVERVIEW, 13172 TYPE 'C' SOCKET



CRANES
CT2003
CT2004
CT2005

PARTS BREAKDOWN			
#	DESCRIPTION	QTY	PART #
1	MOUNTING SOCKET	1	13172-WELD
2	FIBER BEARING	1	20179
3	BRONZE BEARING	1	11893



VENCO VENTURO INDUSTRIES LLC
CINCINNATI, OHIO

13172 TYPE 'C' SOCKET

ACCESSORY OVERVIEW

DATE
04-24-17

SUPERSEDES
-

PAGE
09

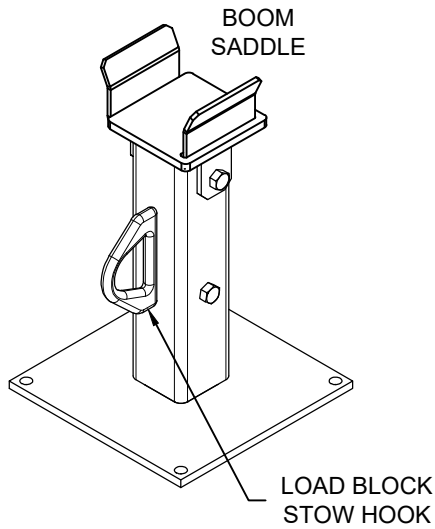
25749

BOOM RESTS

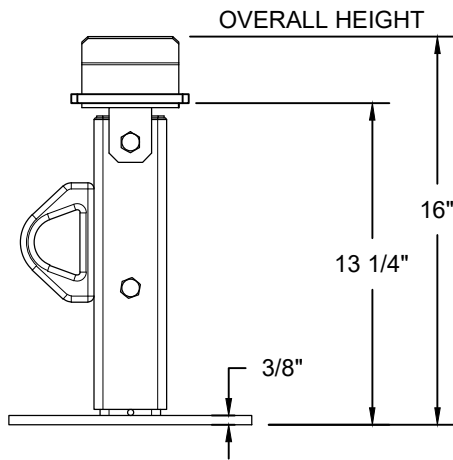
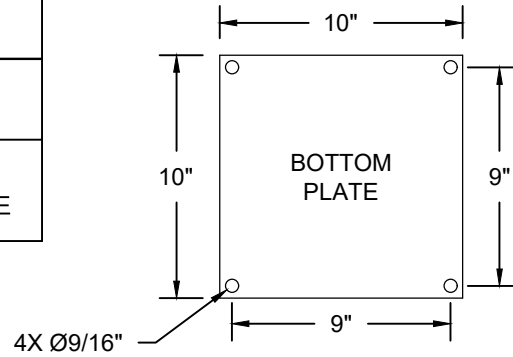


VENCO VENTURO INDUSTRIES LLC
CINCINNATI, OHIO

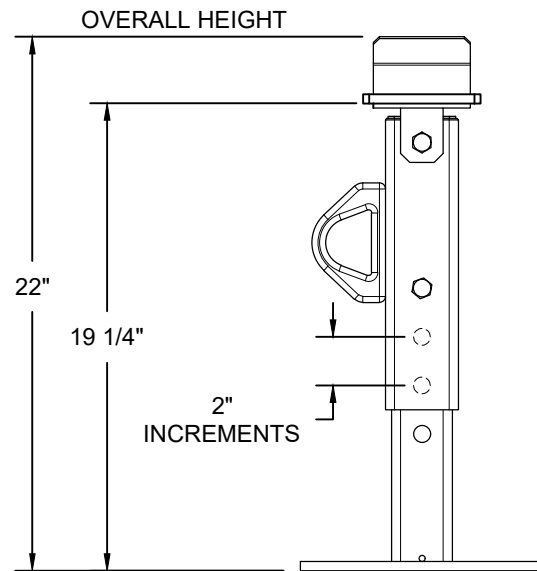
ACCESSORY OVERVIEW, 21440 BOOM REST



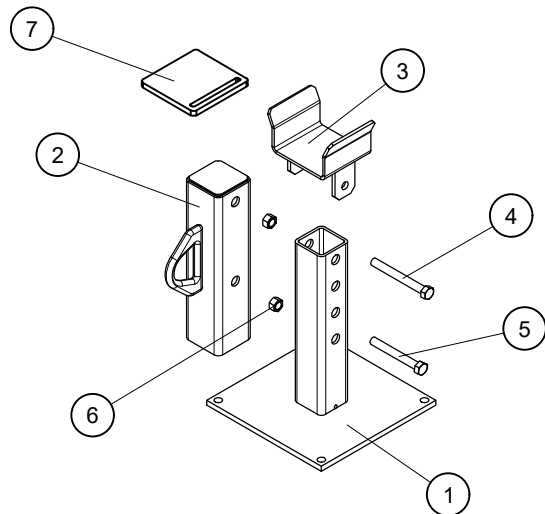
CRANES
ET6K 2010E
ET8/12K(X) 3215E/3515E



FULLY RETRACTED



FULLY EXTENDED



PARTS BREAKDOWN

#	DESCRIPTION	QTY	PART #
1	INNER BASE	1	21441
2	OUTER TUBE	1	21444
3	BOOM SADDLE	1	20384
4	HHCS; 1/2-13 X 4", GR. 5	1	HHCS05013400
5	HHCS; 1/2-13 X 4-1/2", GR. 5	1	HHCS05013450
6	JAMNUT, NYLON; 1/2-13, GR. 5	2	JNUT-05013N
7	UHMW PAD, BLACK	1	26616



VENCO VENTURO INDUSTRIES LLC
CINCINNATI, OHIO

21440 BOOM REST

ACCESSORY OVERVIEW

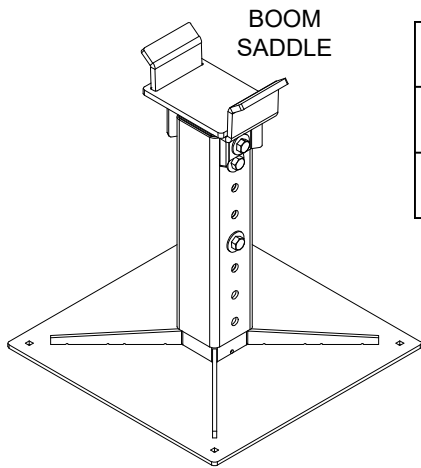
DATE
02-10-25B

SUPERSEDES
03-05-19A

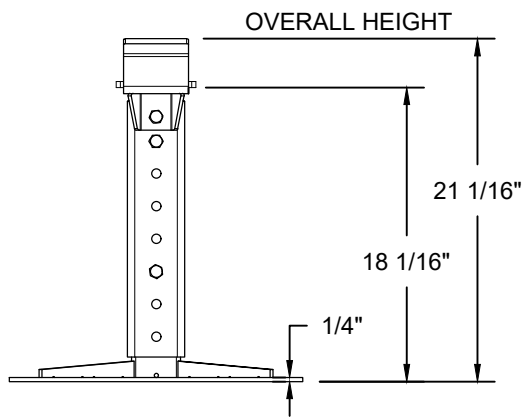
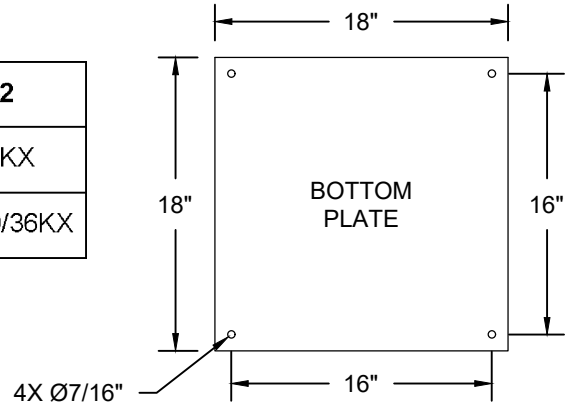
PAGE
10

25750

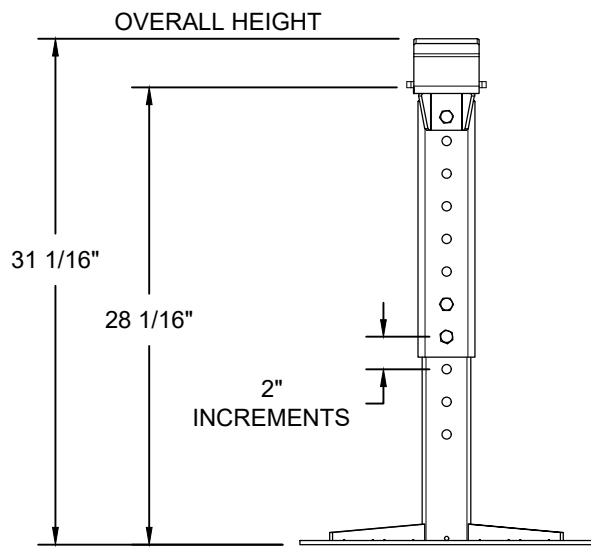
ACCESSORY OVERVIEW, 20381 BOOM REST



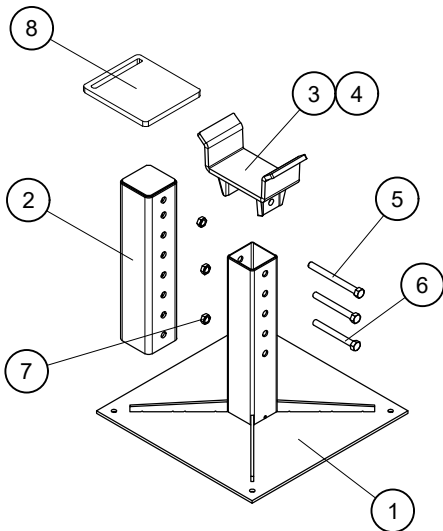
20381-1	20381-2
HT40/50KX	ET16/18KX
HT66KX	ET/HT25/30/36KX



FULLY RETRACTED



FULLY EXTENDED



PARTS BREAKDOWN		-1	-2	SEE 20381-
#	DESCRIPTION	QTY		PART #
1	INNER BASE	2	1	20380
2	OUTER TUBE	2	1	20386
3	BOOM SADDLE	1	-	20339
4	BOOM SADDLE	-	1	21247
5	HHCS; 1/2-13 X 5-1/2", GR. 5	1	1	IHHCS05013400
6	HHCS; 1/2-13 X 4-1/2", GR. 5	2	2	IHHCS05013350
7	JAM LOCK NUT; 1/2-13, NYL.	3	3	IJNUT-05013N
8	UHMW PAD, BLACK	1	-	26615
9	UHMW PAD, BLACK	-	1	26617



VENCO VENTURO INDUSTRIES LLC
CINCINNATI, OHIO

20381 BOOM REST

ACCESSORY OVERVIEW

DATE
03-04-25A

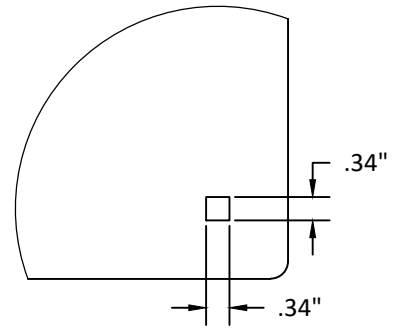
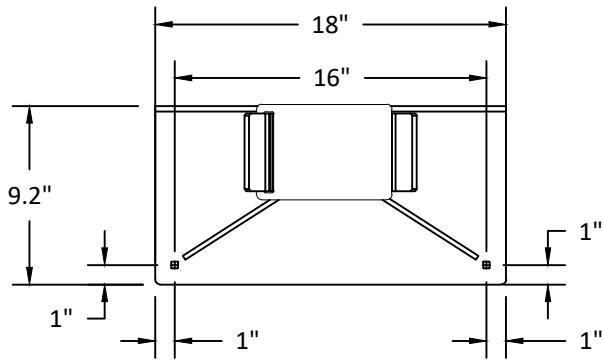
SUPERSEDES
04-24-17

PAGE

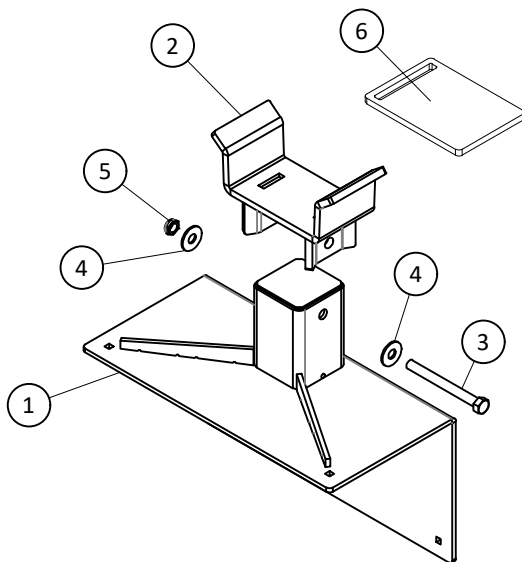
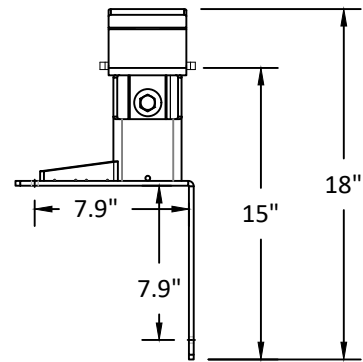
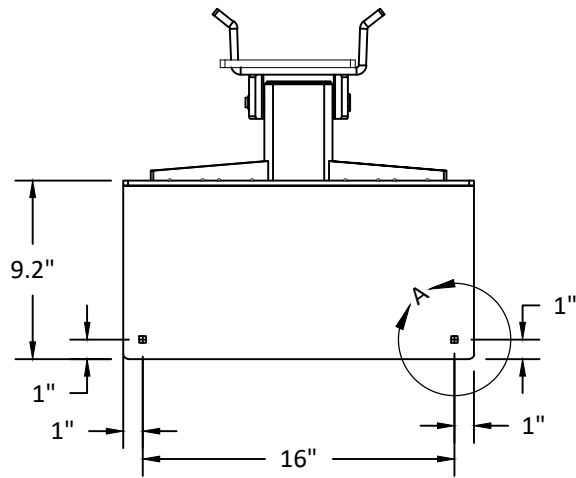
11

25751

ACCESSORY OVERVIEW, VT1199 BOOM REST



DETAIL - A



PARTS BREAKDOWN

#	DESCRIPTION	QTY	PART #
1	BASE PLATE; WELDED ASSEMBLY	1	VT1194
2	BOOM SADDLE	1	20339
3	HEX HEAD CAP SCREW 1/2" - 13 X 5" LONG	1	!HHCS05013500
4	WASHER; FLAT, 1/2" USS, ZINC PLATED	2	!FWSH-050
5	1/2" - 13 NYLON INSERT JAM NUT	1	!JNUT-05013N
6	UHMW PAD, BLACK	1	26615



VENCO VENTURO INDUSTRIES LLC
CINCINNATI, OHIO

VT1199 BOOM REST

ACCESSORY OVERVIEW

DATE
03-04-25A

SUPERSEDES
12-03-24

PAGE

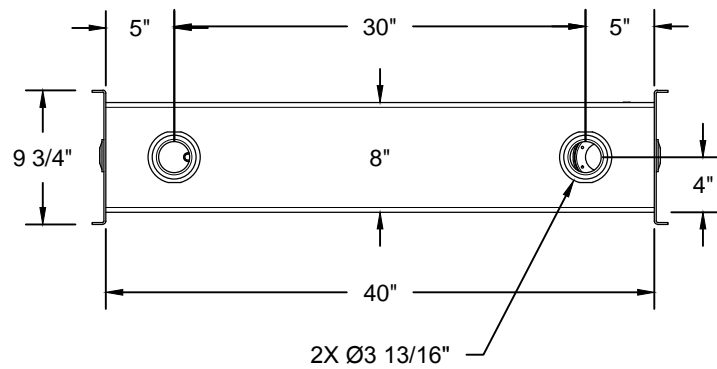
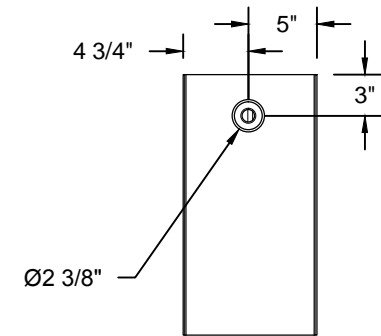
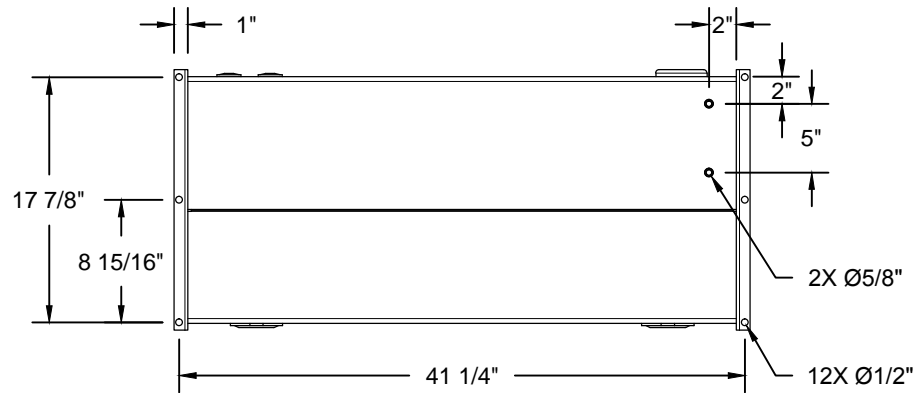
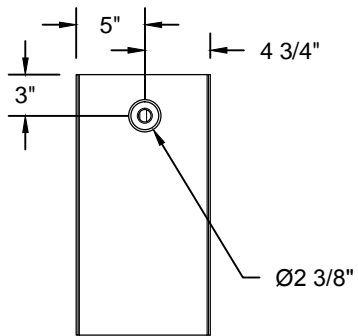
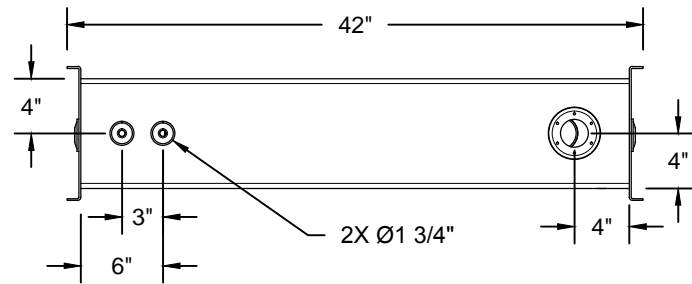
-

25771

HYDRAULIC RESERVOIR TANKS



VENCO VENTURO INDUSTRIES LLC
CINCINNATI, OHIO



VENCO VENTURO INDUSTRIES LLC
CINCINNATI, OHIO

OVERALL DIMENSIONS

25 GALLON HYDRAULIC RESERVOIR TANK

DATE
04-24-17

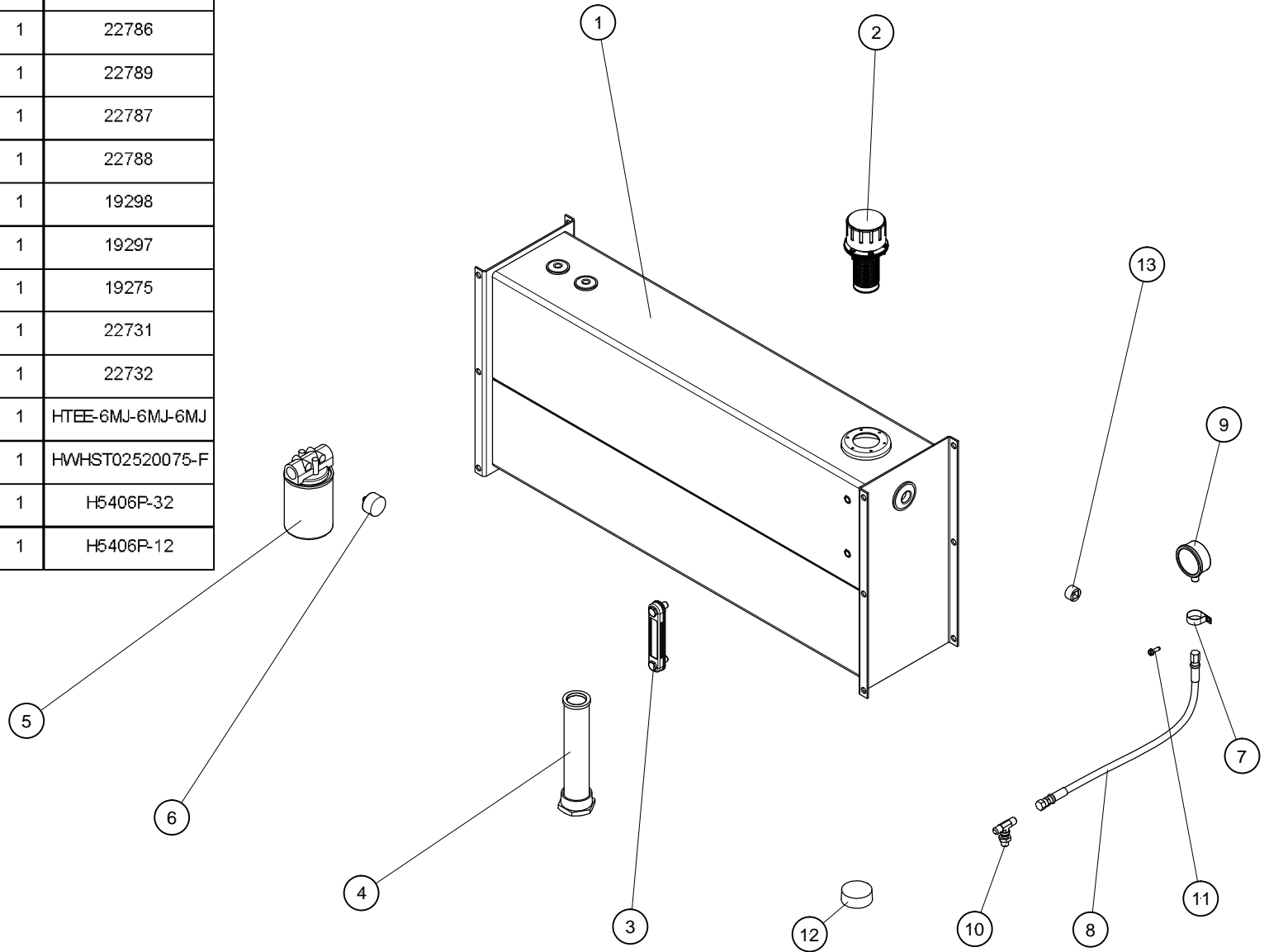
SUPERSEDES
-

PAGE
16

25756

**22785 PARTS BREAKDOWN
25 GALLON HYDRAULIC RESERVOIR KIT**

#	DESCRIPTION	QTY	PART #
1	RESERVOIR TANK; 25 GALLON	1	22786
2	TANK CAP, FILLER / BREATHER	1	22789
3	SIGHT GAUGE, OIL LEVEL	1	22787
4	SUCTION FILTER; SCREEN	1	22788
5	FILTER ASSY; RETURN	1	19298
6	PRESSURE GAUGE; RETURN	1	19297
7	CLAMP RING; 1-3/16", Ø11/32"	1	19275
8	HOSE ASSY; PRESSURE	1	22731
9	PRESSURE GAUGE; PRESSURE	1	22732
10	FITTING; BULKHEAD, T-SHAPE	1	HTEE-6MJ-6MJ-6MJ
11	HWHST; 1/4-20 X 3/4", SELF-TAP	1	HWHST02520075-F
12	PIPE PLUG; 2" NPT	1	H5406P-32
13	PIPE PLUG; 3/4" NPT	1	H5406P-12



VENCO VENTURO INDUSTRIES LLC
CINCINNATI, OHIO

PARTS BREAKDOWN

25 GALLON HYDRAULIC RESERVOIR TANK

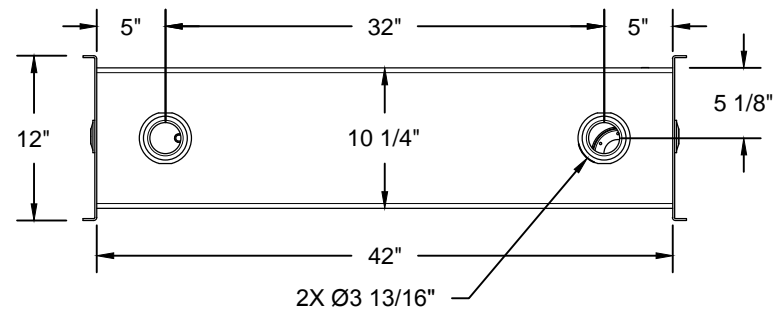
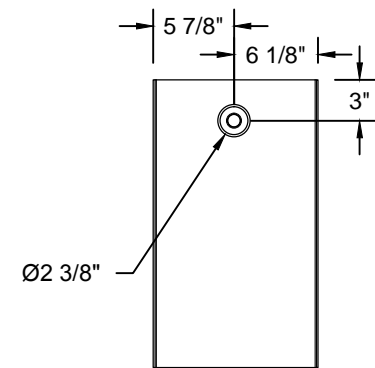
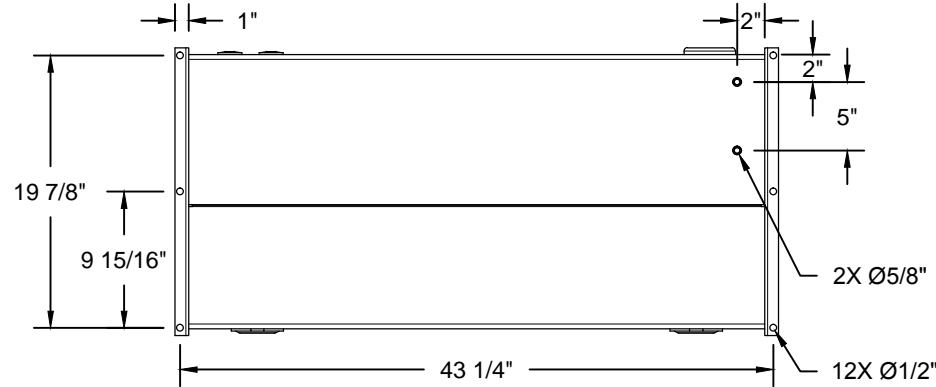
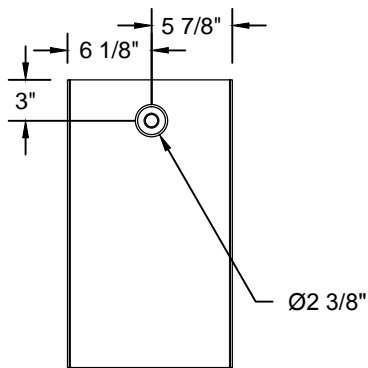
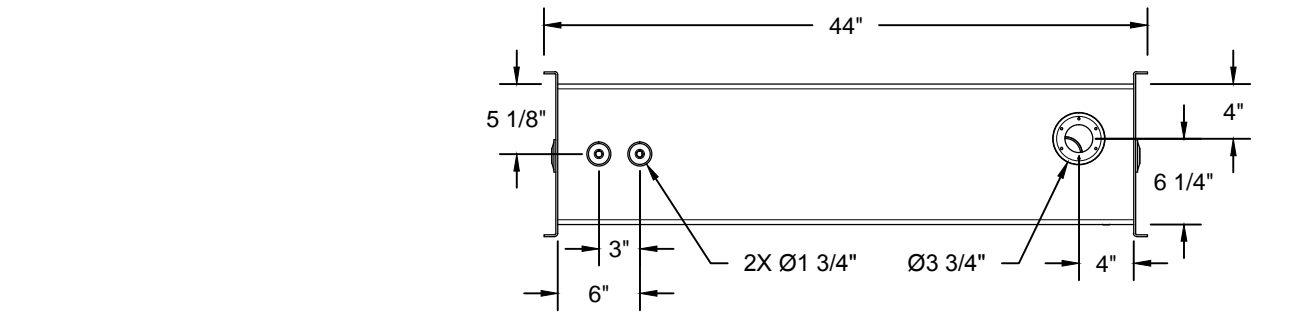
DATE
04-24-17

SUPERSEDES
-

PAGE

17

25757



VENCO VENTURO INDUSTRIES LLC
CINCINNATI, OHIO

OVERALL DIMENSIONS

40 GALLON HYDRAULIC RESERVOIR TANK

DATE
04-24-17

SUPERSEDES
-

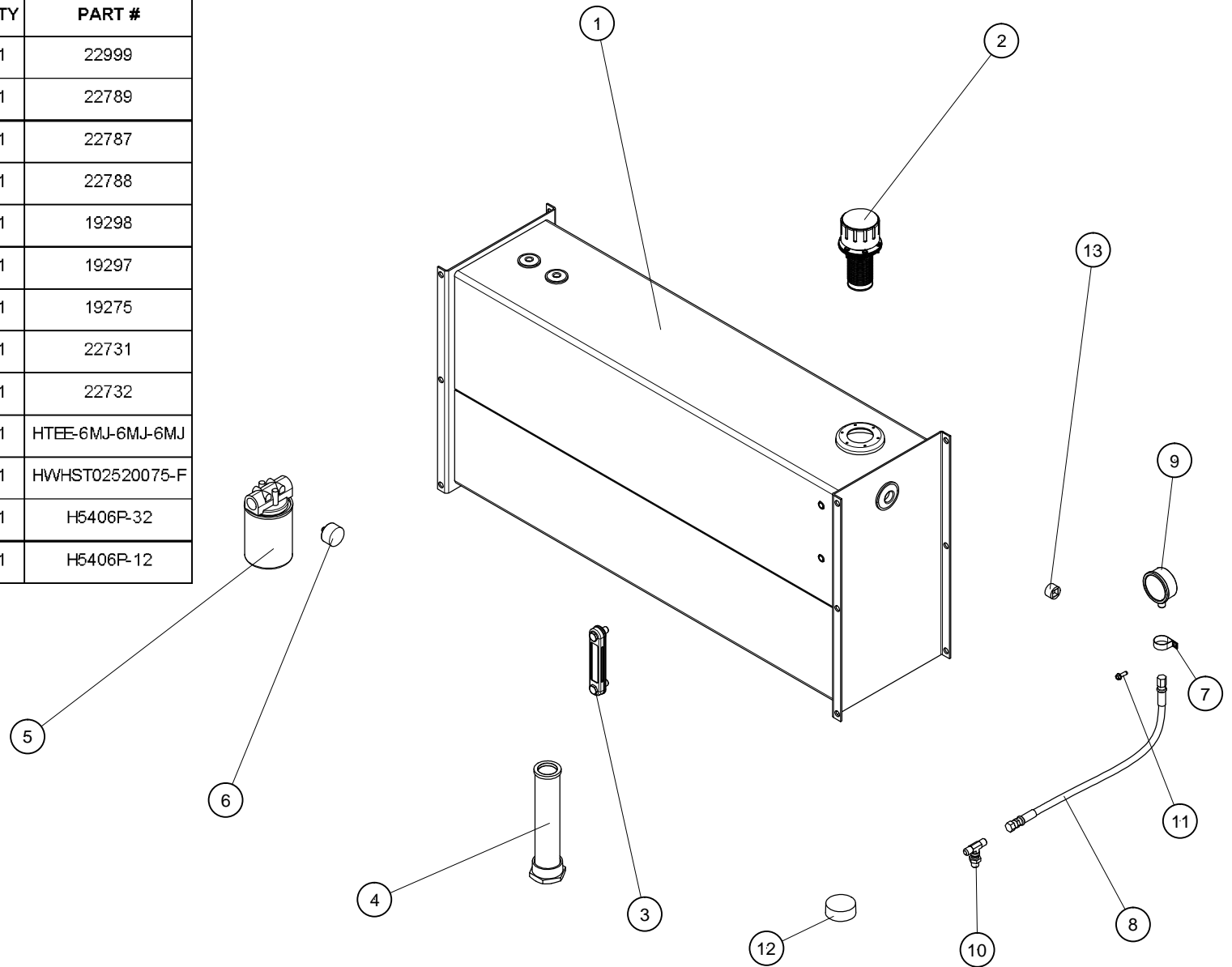
PAGE

19

25759

**22998 PARTS BREAKDOWN
40 GALLON HYDRAULIC RESERVOIR KIT**

#	DESCRIPTION	QTY	PART #
1	RESERVOIR TANK; 40 GALLON	1	22999
2	TANK CAP, FILLER / BREATHER	1	22789
3	SIGHT GAUGE, OIL LEVEL	1	22787
4	SUCTION FILTER, SCREEN	1	22788
5	FILTER ASSY; RETURN	1	19298
6	PRESSURE GAUGE; RETURN	1	19297
7	CLAMP RING; 1-3/16", Ø11/32"	1	19275
8	HOSE ASSY; PRESSURE	1	22731
9	PRESSURE GAUGE; PRESSURE	1	22732
10	FITTING; BULKHEAD, T-SHAPE	1	HTEE-6MJ-6MJ-6MJ
11	HWHST; 1/4-20 X 3/4", SELF-TAP	1	HWHST02520075-F
12	PIPE PLUG; 2" NPT	1	H5406P-32
13	PIPE PLUG; 3/4" NPT	1	H5406P-12



VENCO VENTURO INDUSTRIES LLC
CINCINNATI, OHIO

PARTS BREAKDOWN

40 GALLON HYDRAULIC RESERVOIR TANK

DATE
04-24-17

SUPERSEDES
-

PAGE

20

25760



VENTURO CRANES LIMITED WARRANTY POLICY

Venturo products are built to last...we guarantee them.

As a purchaser of any new Venturo product covered by warranty, you will receive 1 year of the most complete coverage available...and, at no added cost to you.

1-Year Limited Warranty Policy

This limited policy warrants new products of Venturo to be free from defects in material and workmanship for a period of one (1) year from date of original installation. OEM products or accessories purchased by Venturo as part of or offered with our product will carry the OEM manufacturer's respective warranty. Our warranty covers:

- ***Repair or replacement of product***
- ***Labor to repair or replace product***
- ***Freight to return and/or replace product***

We shall not be liable for any contingent liabilities arising out of the improper function of any products. Warranty shall become void if the product is improperly installed, modified, damaged, abused or used for application other than intended use. There is no warranty of merchantability, fitness for a particular purpose, warranty arising from course of dealing or usage of trade, or any other implied or expressed warranty, except as made specifically herein. This warranty supersedes all previous warranties, written or implied.

Warranty Claims

Venco Venturo Industries LLC will make a good faith effort for prompt correction or other adjustment with respect to any product, which proves to be defective after our inspection and within the warranty period. Before any repairs are attempted or before returning any product, your Venturo Distributor is required to obtain a warranty claim number. This number is necessary for any claim to be considered. To obtain a warranty claim number, Venturo requires the model and serial number. Only authorized Venturo Distributors can perform warranty. For the name and address of your local Venturo Distributor call the **Warranty Claim Department - 513-772-8448**.

WARNING - It is the responsibility of the installer to ensure the installation is completed according to the manufacturer's recommendations, ensure the ultimate user understands how to operate product in a safe manner, and understands the need for regular service and maintenance by an authorized Venturo Distributor. No modifications or alterations may be made to any Venturo product without the expressed written consent of Venco Venturo Industries LLC. Installation of any Venturo product must be done by an authorized Venturo Distributor, to the standards of the industry; including maintenance, service and affixing of all instruction, safety and warning decals. Users should be instructed as to the safe operation at time of delivery. Maintenance, service, operation and safety warning decals are available on request from Venco Venturo Industries LLC.

VENCO VENTURO INDUSTRIES LLC
12110 BEST PLACE | CINCINNATI, OHIO 45241
P: 800-226-2238 | F: 513-326-5427
www.venturo.com