

TABLE OF CONTENTS

VC 628 / 5520 / 6620 / 6628 MANUAL

<u>PAGE</u>	<u>DESCRIPTION</u>	<u>REF.NO.</u>
1	READ THIS FIRST	416733
2	IMPORTANTWARNING	416086
3	WARNING AND CAUTION DECALS.....	416128
4	VC 628 CAPACITIES	628020
5	VC 5520 CAPACITIES	552010
6	VC 6620 CAPACITIES	662052
7	VC 6628 CAPACITIES	662851
8	VC 5520/6620 MOUNTING DIMENSIONS.....	662053
9	VC 628/6628 MOUNTING DIMENSIONS	628021
10	HOIST LIFTING HOLE LOCATIONS	662864
11	MOUNTING INSTRUCTIONS	520072
12	REAR HINGE TO BED MOUNTING ILLUSTRATION	662861
13	MOUNTING INSTRUCTIONS	520074
14	MOUNTING INSTRUCTIONS	520075
15	MOUNTING INSTRUCTIONS	520076
16	MOUNTING INSTRUCTIONS	520077
17	LIFTING ANGLE INSTALLATION	520093
18	CABLE / HANDLE ASSEMBLY INSTRUCTIONS	620246
19	PTO PUMP CABLE INSTALLATION	416755
20	SPLIT PUMP PTO	416138
21	SPDG HOSE CON. DIAGRAM VC628	628029
22	SPDG HOSE CON. DIAGRAM VC5520, VC6620, VC6628	552002
23	HOIST MAINTENANCE AND OPERATION	520079
24	GREASE POINTS FOR HOISTS	520054
25	BODY PROP OPERATION	520081
26	RESERVOIR FILLING	416140
27	FENNER ES POWER UNIT	6133B
28	MONARCH ES POWER UNIT (40058M/MHD) INSTALLATION	416810 ▲
29	MONARCH ES POWER UNIT (40058M/MHD) W/ PUSH BUTTON INSTALL	416809 ▲
30	MONARCH ED POWER UNIT (416081M).....	416306
31	MONARCH ED POWER UNIT (416081M) W/ PUSH BUTTON	416307
32	WILLIAMS PTO WARNING	416287
33	VC 628 REPLACEMENT PARTS DWG	628017
34	VC 628 REPLACEMENT PARTS LIST	628028
35	VC 5520/6620 REPLACEMENT PARTS DWG	662079
36	VC 5520/6620 REPLACEMENT PARTS LIST	662026
37	VC 6628 REPLACEMENT PARTS DWG	662853
38	VC 6628 REPLACEMENT PARTS LIST	662854
39	FENNER ES POWER UNIT - HEAVY DUTY	40058-HD
40	REPLACEMENT PARTS DRAWING & LIST (40058M/MHD POWER UNIT)	416308
41	REPLACEMENT PARTS DWG - 416081M ED POWER UNIT	416508
42	REPLACEMENT PARTS LIST - 416081M ED POWER UNIT	416509
43	PTO PUMP CABLE REPLACEMENT PARTS DRAWING & LIST	620245
44	WARRANTY POLICY	12-00073

-PDECALS AND PACKAGE INCLUDES:

12524	CAUTION STAND CLEAR	2 PCS.
416052	CAUTION DECAL	2 PCS.
416084	SAFETY PROP DECAL	1 PC.
6066	PLASTIC BAG	1 PC.



MANUFACTURING, INC.

TITLE	DATE	SECTION
TABLE OF CONTENTS	12-6-04D	-
VC 628 - VC 6628	SUPERCEDES 10-13-04C	628030

READ THIS FIRST

BE SURE TO DO THE FOLLOWING AND YOU WILL AVOID THE MOST COMMON INSTALLATION MISTAKES.

1. HOIST MUST BE LEVEL
SEE PAGE: 416086, 416272.
2. MUST HAVE 2" SPACE
SEE PAGE: 416086.
3. SUFFICIENT OVERHANG
SEE PAGE: 520069, 620010, 628020, 552010, 662052 OR 662851.
4. USE PUMP WHICH MEETS VENCO SPECIFICATION
SEE PAGE: 416138.



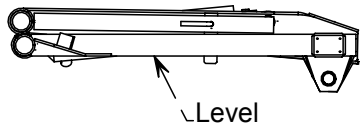
TITLE	CAUTION NOTE	DATE	10-1-01	SECTION	-
	-	SUPERCEDES	-		416733

IMPORTANT WARNING

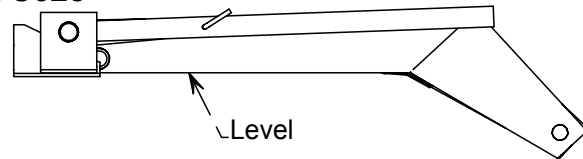
* All VENCO Conversion Hoists - VC416 thru VC6628 *

1 When installing the hoist, be sure to keep the hoist on a horizontal plane - LEVEL - with the truck frame.

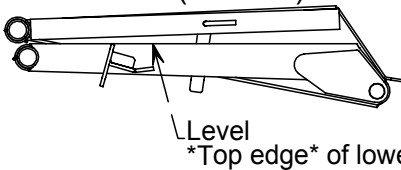
VC416 / VC516



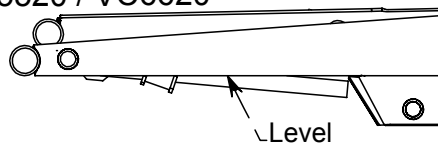
VC628



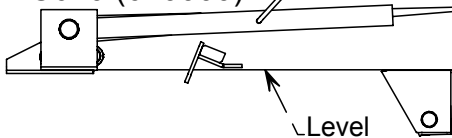
VC520 / VC620 (620200) ▲



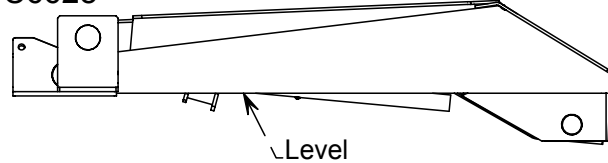
VC5520 / VC6620



VC620 (620000)▲

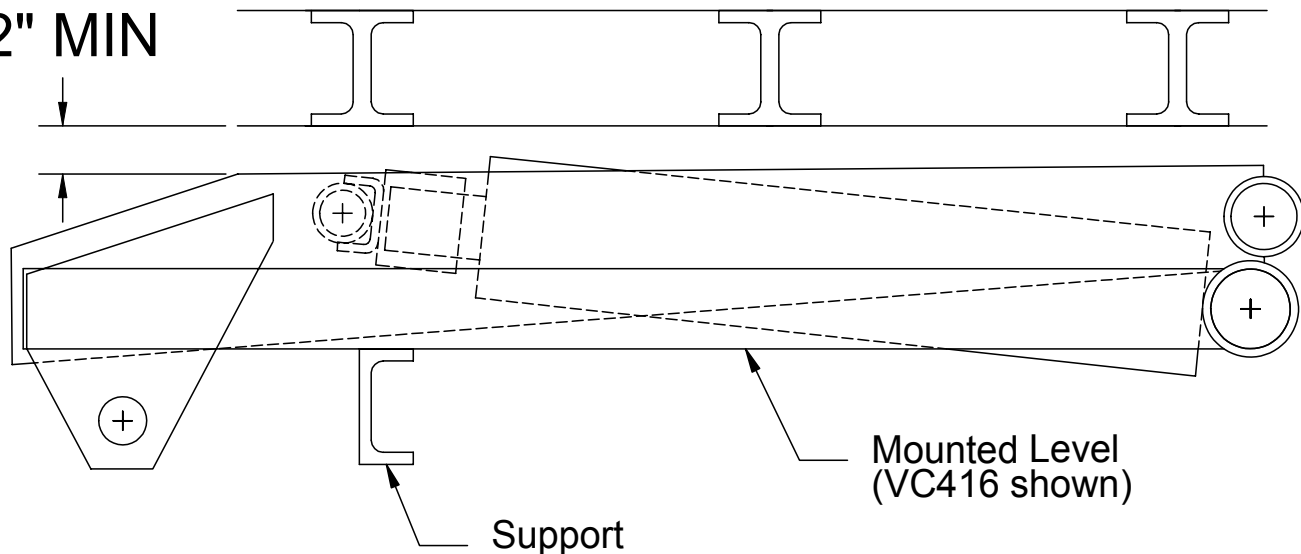


VC6628



2 A minimum clearance of 2" is required between the hoist (upper arm) and the body cross members in order to prevent a mechanical lockout.

2" MIN



TITLE
IMPORTANT WARNING

DATE
6-12-03F

SECTION
H150

VENCO HOISTS

SUPERSEDES
11-7-02E

416086

Included with your Venco hoist are two (2) sets of warning and caution decals. These decals should be placed in a prominent location on each side of the truck body (roadside and curbside) so they are easily seen and readily identifiable. ▲

PD MODEL ONLY
VENCO #416085
1 REQ'D



AFFIX TO TRUCK
DASHBOARD

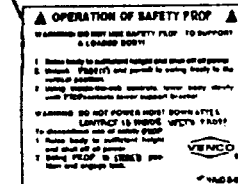
VENCO #416052
2 REQ'D (1 EACH SIDE)



VENCO #15254
2 REQ'D (1 EACH SIDE)



VENCO #416084
1 REQ'D FOR
EACH SAFETY PROP



TITLE
DECAL LOCATION

VC 416/516, VC 520 - 6628

DATE
12-27-99B

SUPERCEDES
7-13-98A

SECTION
H100

416128

VENCO HOIST MODEL VC 628

CAPACITIES ARE BASED ON WATER LEVELS AND UNDIMINISHING LOADS.
DUE TO THE VARIATIONS IN TRUCK EQUIPMENT AND CAB-AXLE LENGTHS (CA),
THE DATA PROVIDED ON THIS PAGE IS TO BE USED AS A GUIDELINE ONLY.

DUMP CLASS: 50
CONVERSION CLASS: E
WEIGHT: 825 LBS
POWER SOURCE: PD - POWER TAKE OFF DOUBLE ACTING
ADDITIONAL DATA:
SINGLE CYLINDER (6" BORE x 28" STROKE)
CA: 72"-162"
DUMP ANGLE: 40°-50°
MOUNTING HEIGHT REQ'D: 8"



CONVERSION APPLICATIONS VC 628					
BODY	CA	REAR O.H.	40° (TON)	45° (TON)	50°(TON)
12'	72"	43"	39.0	34.5	30.6
12'	84"	31"	27.6	24.4	21.7
13'	84"	43"	32.3	28.6	25.4
13'	102"	25"	21.3	18.9	16.8
13'	108"	19"	19.2	17.0	15.1
13'	114"	13"	17.4	15.4	13.7
13'	120"	7"	15.9	14.1	12.5
14'	102"	37"	24.1	21.3	19.0
14'	108"	31"	21.3	18.9	16.8
14'	114"	25"	19.2	17.0	15.1
14'	120"	19"	17.4	15.4	13.7
14'	124"	15"	16.4	14.5	12.9
14'	126"	13"	15.9	14.1	12.5
15'	108"	43"	24.1	21.3	19.0
15'	114"	37"	21.3	18.9	16.8
15'	120"	31"	19.2	17.0	15.1
15'	124"	27"	18.0	15.9	14.1
15'	126"	25"	17.4	15.4	13.7
15'	138"	13"	14.7	13.0	11.5
16'	114"	49"	24.1	21.3	18.9
16'	120"	43"	21.3	18.9	16.8
16'	124"	39"	19.8	17.6	15.6
16'	126"	37"	19.2	17.0	15.1
16'	138"	25"	15.9	14.1	12.5
16'	144"	19"	14.7	13.0	11.5
16'	150"	13"	13.7	12.1	10.7
16'	156"	7"	12.7	11.3	10.0
18'	126"	61"	24.1	21.3	19.0
18'	132"	55"	21.3	18.9	16.8
18'	138"	49"	19.2	17.0	15.1
18'	144"	43"	17.4	15.4	13.7
18'	150"	37"	15.9	14.1	12.5
18'	156"	31"	14.7	13.0	11.5
18'	162"	25"	13.6	12.1	10.7

DUMP APPLICATIONS VC 628					
BODY	CA	REAR O.H.	40° (TON)	45° (TON)	50° (TON)
9'	-	12"	-	-	21.9
10'	-	12"	-	-	19.2
12'	-	12"	-	-	15.3



TITLE
CAPACITY CHART

VC 628 HOIST

DATE
6-2-03A

SUPERSEDES
9-8-97

SECTION
H100

628020

VENCO HOIST MODEL VC 5520

CAPACITIES ARE BASED ON WATER LEVELS AND UNDIMINISHING LOADS.
DUE TO THE VARIATIONS IN TRUCK EQUIPMENT AND CAB-AXLE LENGTHS (CA),
THE DATA PROVIDED ON THIS PAGE IS TO BE USED AS A GUIDELINE ONLY.

DUMP CLASS: 60
CONVERSION CLASS: F
WEIGHT: 930 LBS
POWER SOURCE: PD - POWER TAKE OFF DOUBLE ACTING
ADDITIONAL DATA:
DUAL CYLINDERS (5" BORE x 20" STROKE)
CA: 84"-156"
DUMP ANGLE: 40°-50°
MOUNTING HEIGHT REQ'D: 8.5"



CONVERSION APPLICATIONS VC 5520					
BODY	CA	REAR O.H.	40° (TON)	45° (TON)	50°(TON)
12'	84"	30"	31.1	27.6	26.2
12'	102"	12"	21.8	19.3	18.3
12'	114"	0"	18.2	16.1	15.3
13.5'	102"	30"	25.6	22.7	21.6
13.5'	114"	18"	20.7	18.4	17.4
13.5'	124"	8"	17.9	15.9	15.1
13.5'	132"	0"	16.1	14.3	13.6
14'	108"	30"	24.2	21.5	20.3
14'	114"	24"	21.8	19.3	18.3
14'	132"	6"	16.8	14.9	14.1
15'	114"	36"	24.2	21.5	20.4
15'	124"	26"	20.4	18.1	17.2
15'	132"	18"	18.2	16.1	15.3
15'	150"	0"	14.5	12.9	12.2
16'	108"	54"	31.1	27.6	26.2
16'	114"	48"	27.2	24.2	22.9
16'	120"	42"	24.2	21.5	20.3
16'	124"	38"	22.5	20.0	19.0
16'	132"	30"	19.8	17.6	16.7
16'	138"	24"	18.2	16.1	15.3
18'	138"	48"	21.8	19.3	18.3
18'	144"	42"	19.8	17.6	16.7
18'	150"	36"	18.2	16.1	15.3

DUMP APPLICATIONS VC 5520					
BODY	CA	REAR O.H.	40° (TON)	45° (TON)	50° (TON)
11'	-	12"	-	-	20.4
12'	-	12"	-	-	18.3
13'	-	12"	-	-	16.7
14'	-	12"	-	-	15.3



TITLE
CAPACITY CHART

DATE
6-2-03B

SECTION
H100

VC 5520 HOIST

SUPERSEDES
9-3-97A

552010

VENCO HOIST MODEL VC 6620

CAPACITIES ARE BASED ON WATER LEVELS AND UNDIMINISHING LOADS.
DUE TO THE VARIATIONS IN TRUCK EQUIPMENT AND CAB-AXLE LENGTHS (CA),
THE DATA PROVIDED ON THIS PAGE IS TO BE USED AS A GUIDELINE ONLY.

DUMP CLASS: 70
CONVERSION CLASS: G
WEIGHT: 965 LBS
POWER SOURCE: PD - POWER TAKE OFF DOUBLE ACTING
ADDITIONAL DATA:
DUAL CYLINDERS (6" BORE x 20" STROKE)
CA: 84"-156"
DUMP ANGLE: 40°-50°
MOUNTING HEIGHT REQ'D: 8.5"



CONVERSION APPLICATIONS VC 6620					
BODY	CA	REAR O.H.	40° (TON)	45° (TON)	50°(TON)
12'	84"	30"	44.8	39.7	37.7
12'	102"	12"	31.3	27.8	26.4
12'	114"	0"	26.13	23.2	22.0
13.5'	102"	30"	36.9	32.7	31.0
13.5'	114"	18"	29.8	26.5	25.1
13.5'	124"	8"	25.7	22.9	21.7
13.5'	132"	0"	23.2	20.6	19.5
14'	108"	30"	34.8	30.9	29.3
14'	114"	24"	31.3	27.8	26.4
14'	132"	6"	24.1	21.4	20.3
15'	114"	36"	34.8	30.9	29.3
15'	124"	26"	29.4	26.1	24.7
15'	132"	18"	26.1	23.2	22.0
15'	150"	0"	20.9	18.5	17.6
16'	108"	54"	44.8	39.7	37.7
16'	114"	48"	39.2	34.8	33.0
16'	120"	42"	34.8	30.9	29.3
16'	124"	38"	32.4	28.8	27.3
16'	132"	30"	28.5	25.3	24.0
16'	138"	24"	26.1	23.2	22.0
18'	138"	48"	31.3	27.8	26.4
18'	144"	42"	28.5	25.3	24.0
18'	150"	36"	26.1	23.2	22.0
20'	150"	60"	31.3	27.8	26.4
20'	156"	54"	28.5	25.3	24.0

DUMP APPLICATIONS VC 6620					
BODY	CA	REAR O.H.	40° (TON)	45° (TON)	50° (TON)
11'	-	12"	-	-	29.3
12'	-	12"	-	-	26.4
13'	-	12"	-	-	24.4
14'	-	12"	-	-	22.0



TITLE
CAPACITY CHART

VC 6620 HOIST

DATE
6-2-03B

SUPERSEDES
9-3-97A

SECTION
H100

662052

VENCO HOIST MODEL VC 6628

CAPACITIES ARE BASED ON WATER LEVELS AND UNDIMINISHING LOADS.
DUE TO THE VARIATIONS IN TRUCK EQUIPMENT AND CAB-AXLE LENGTHS (CA),
THE DATA PROVIDED ON THIS PAGE IS TO BE USED AS A GUIDELINE ONLY.

DUMP CLASS: 90
CONVERSION CLASS: J
WEIGHT: 1200 LBS
POWER SOURCE: PD - POWER TAKE OFF DOUBLE ACTING
ADDITIONAL DATA:

DUAL CYLINDERS (6" BORE x 28" STROKE)
CA: 138"-252"
CT: 126"-240"
DUMP ANGLE: 40°-50°
MOUNTING HEIGHT REQ'D: 10.5"



CONVERSION APPLICATIONS VC 6628					
BODY	CA	CT	O.H.	45° (TON)	50° (TON)
18'	138"	126"	48"	35.7	32.4
18'	144"	132"	42"	32.4	29.4
18'	150"	138"	36"	29.7	27.0
18'	156"	144"	30"	27.4	24.9
18'	162"	150"	24"	25.5	23.1
18'	168"	156"	18"	23.8	21.6
18'	174"	162"	12"	22.3	20.2
18'	180"	168"	6"	21.0	19.0
20'	162"	150"	48"	29.7	27.0
20'	168"	156"	42"	27.4	24.9
20'	174"	162"	36"	25.5	23.1
20'	180"	168"	30"	23.8	21.6
20'	186"	174"	24"	22.3	20.2
20'	192"	180"	18"	21.0	19.0
20'	198"	186"	12"	19.8	18.0
20'	204"	192"	6"	18.8	17.0
22'	186"	174"	48"	25.5	23.1
22'	192"	180"	42"	23.8	21.6
22'	198"	186"	36"	22.3	20.2
22'	204"	192"	30"	21.0	19.0
22'	210"	198"	24"	19.8	18.0
22'	216"	204"	18"	18.8	17.0
22'	222"	210"	12"	17.8	16.2
22'	228"	216"	6"	17.0	15.4
24'	210"	198"	48"	22.3	20.2
24'	216"	204"	42"	21.0	19.0
24'	222"	210"	36"	19.8	18.0
24'	228"	216"	30"	18.8	17.0
24'	234"	222"	24"	17.8	16.2
24'	240"	228"	18"	17.0	15.4
24'	246"	234"	12"	16.2	14.7
24'	252"	240"	6"	15.5	14.1

DUMP BODY APPLICATIONS VC 6628					
BODY	CA	CT	O.H.	45° (TON)	50° (TON)
12'	102"	90"	12"	35.7	32.4
13'	114"	102"	12"	32.4	29.4
14'	126"	114"	12"	29.7	27.0
15'	138"	126"	12"	27.4	24.9
16'	150"	138"	12"	25.5	23.1
18'	174"	162"	12"	22.3	20.2



TITLE
CAPACITY CHART

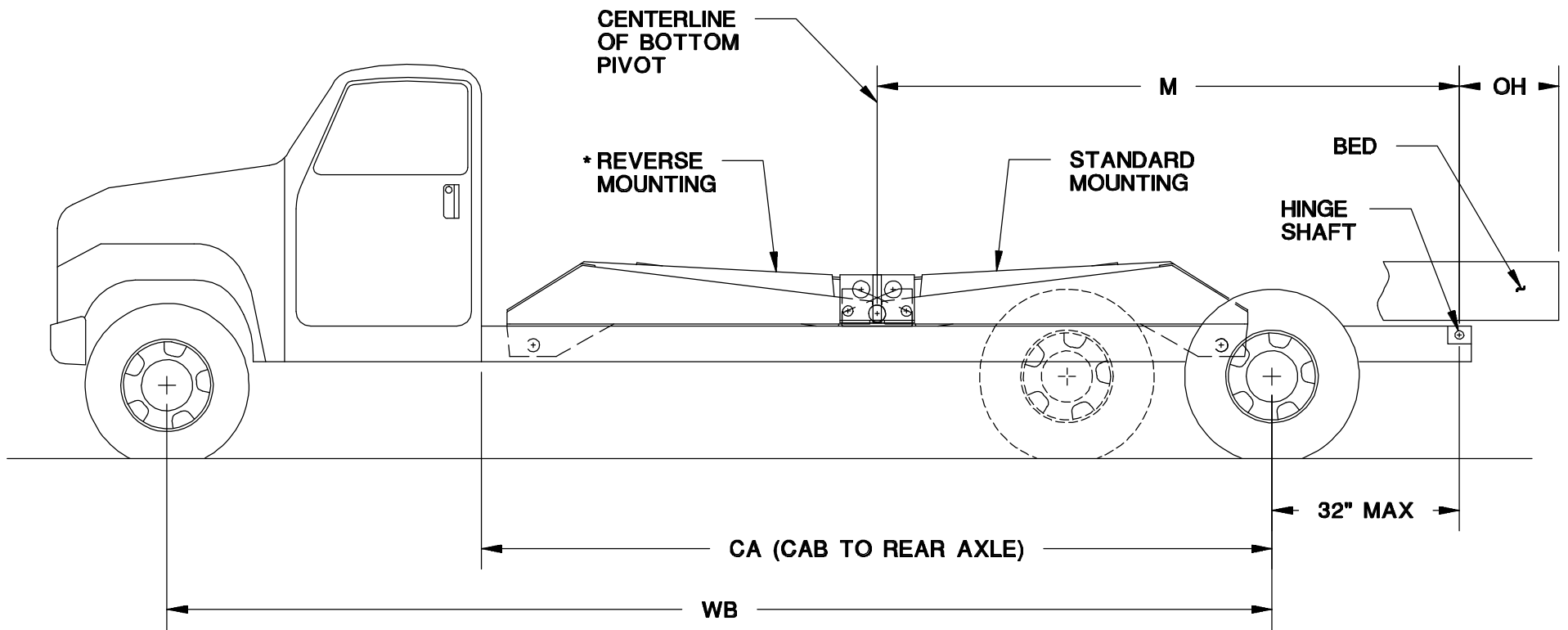
VC 6628 HOIST

DATE
6-2-03B

SUPERSEDES
2-19-98A

SECTION
H100

662851



VC 5520 AND VC 6620 HOISTS

STANDARD MOUNTING

DUMP ANGLE	M
40°	106.5"
45°	94"
50°	84"

FIGURE 1.C

*REVERSE MOUNTING

DUMP ANGLE	M
40°	98.5"
45°	93"
50°	81"



TITLE
MOUNTING DIMENSIONS

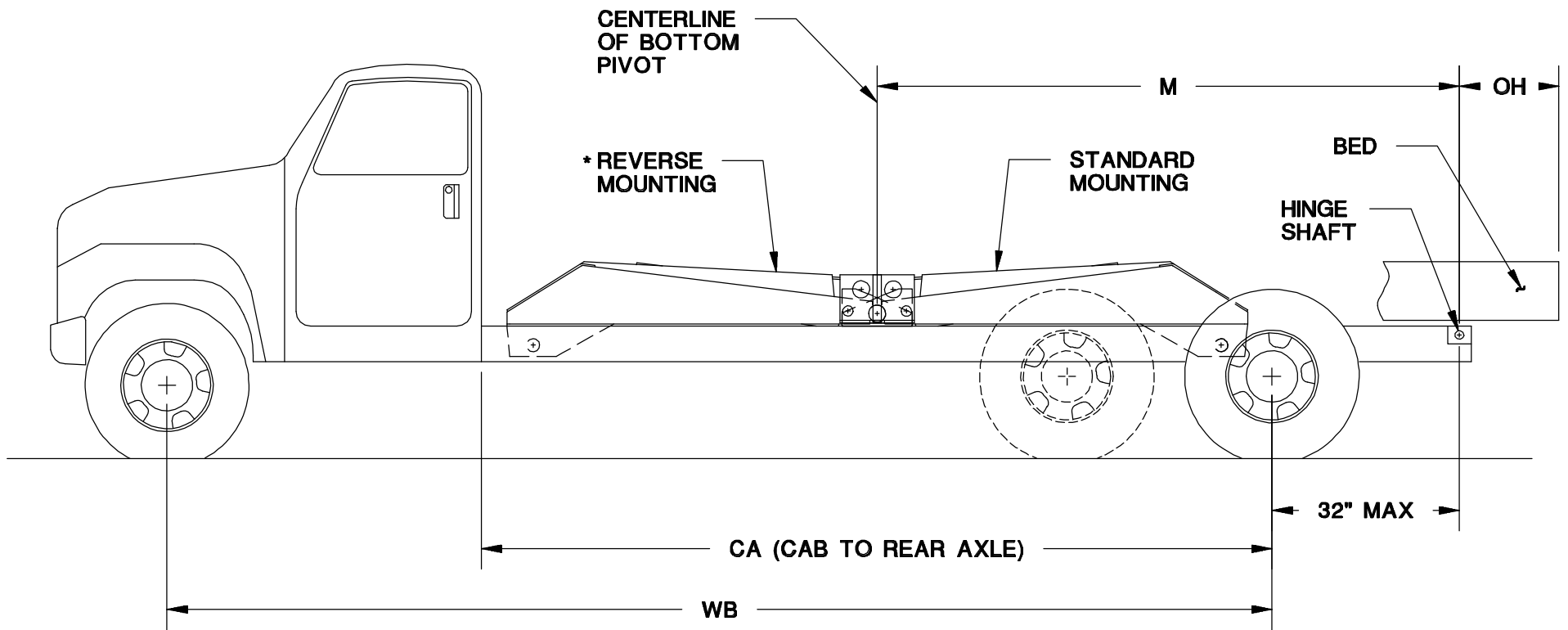
DATE
9-30-98

SECTION
H100

VC 5520 / VC 6620 HOIST

SUPERSEDES
6-8-98

662053



VC 628 AND VC 6628 HOISTS

STANDARD MOUNTING

DUMP ANGLE	M
40°	146"
45°	130-1/2"
50°	118-1/4"

FIGURE 1.B

*REVERSE MOUNTING

DUMP ANGLE	M
40°	140"
45°	129"
50°	115"



TITLE
MOUNTING DIMENSIONS

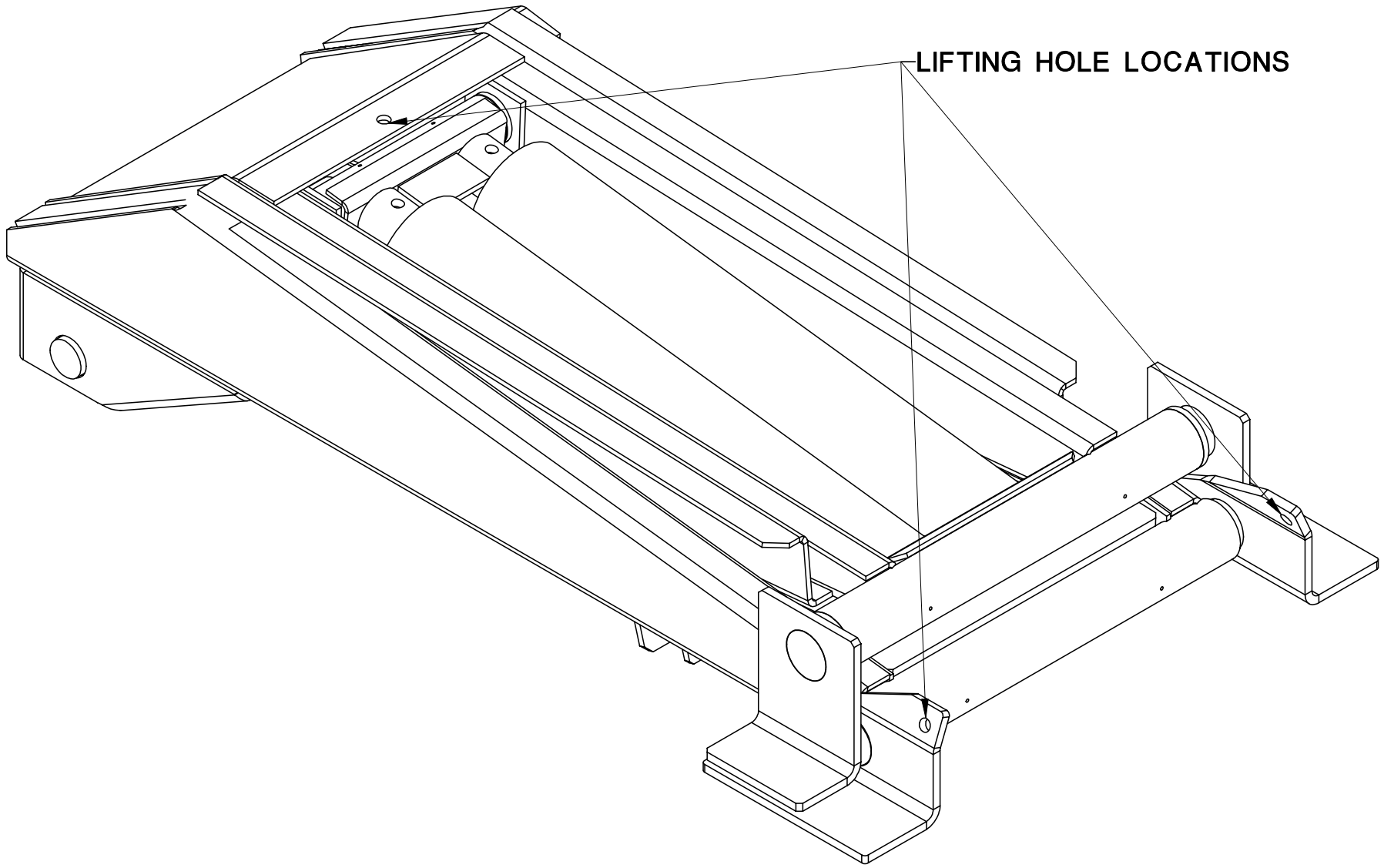
VC 628 / VC 6628 HOIST

DATE
9-30-98

SUPERSEDES
6-8-98

SECTION
H100

628021



LIFTING HOLE LOCATIONS



TITLE
HOIST LIFTING HOLE LOCATIONS

DATE
2-6-02

SECTION
-

VC 6620 - VC 6628

SUPERSEDES
-

662864

HOIST MOUNTING INSTRUCTIONS

Refer to drawings 520071, 662053, or 628021 (on the preceding pages).

CAUTION

If the distance between the centers of the rear axle and the rear hinge assembly exceeds 38", additional reinforcement of the truck frame is necessary.

- A. Mark the location for the rear hinge. Ideally this location will be immediately behind a truck cross member approximately 34" behind the center of the rear axle on a single axle truck.
- B. Cut a 90° slot in each side of the frame as shown in Figure 2.
- C. Position the angle iron frame of the rear hinge assembly in the truck frame cut outs. Make sure the rear hinge assembly is properly positioned on the truck frame. Weld all around truck frame rear hinge assembly joint (both sides). See installation drawing 662861 on the following page for information regarding the mounting of the rear hinge brackets to the body.

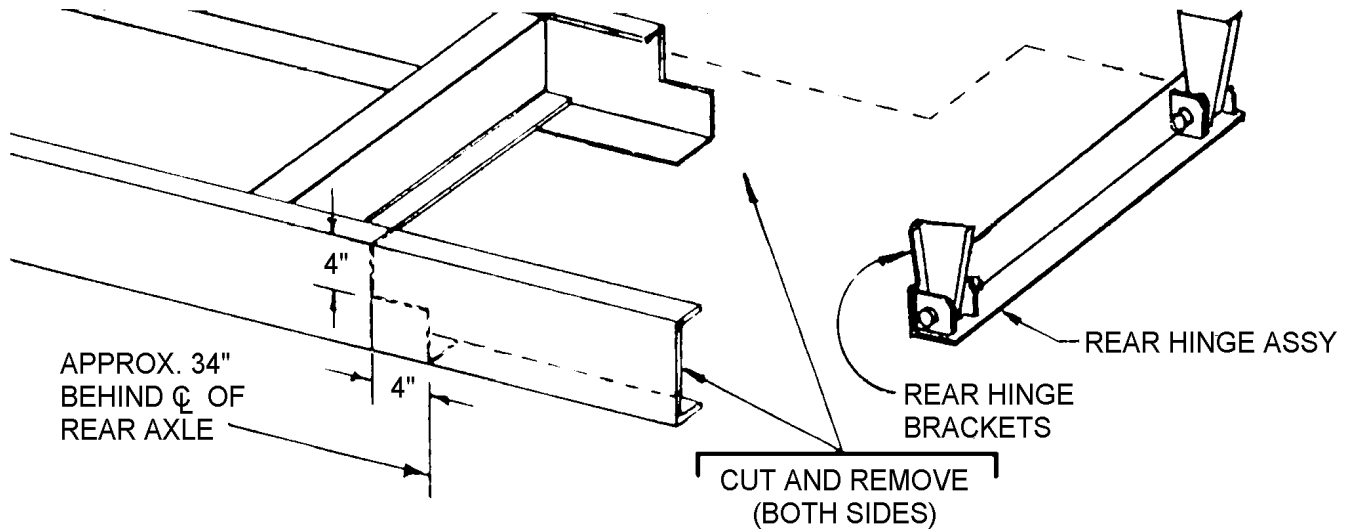


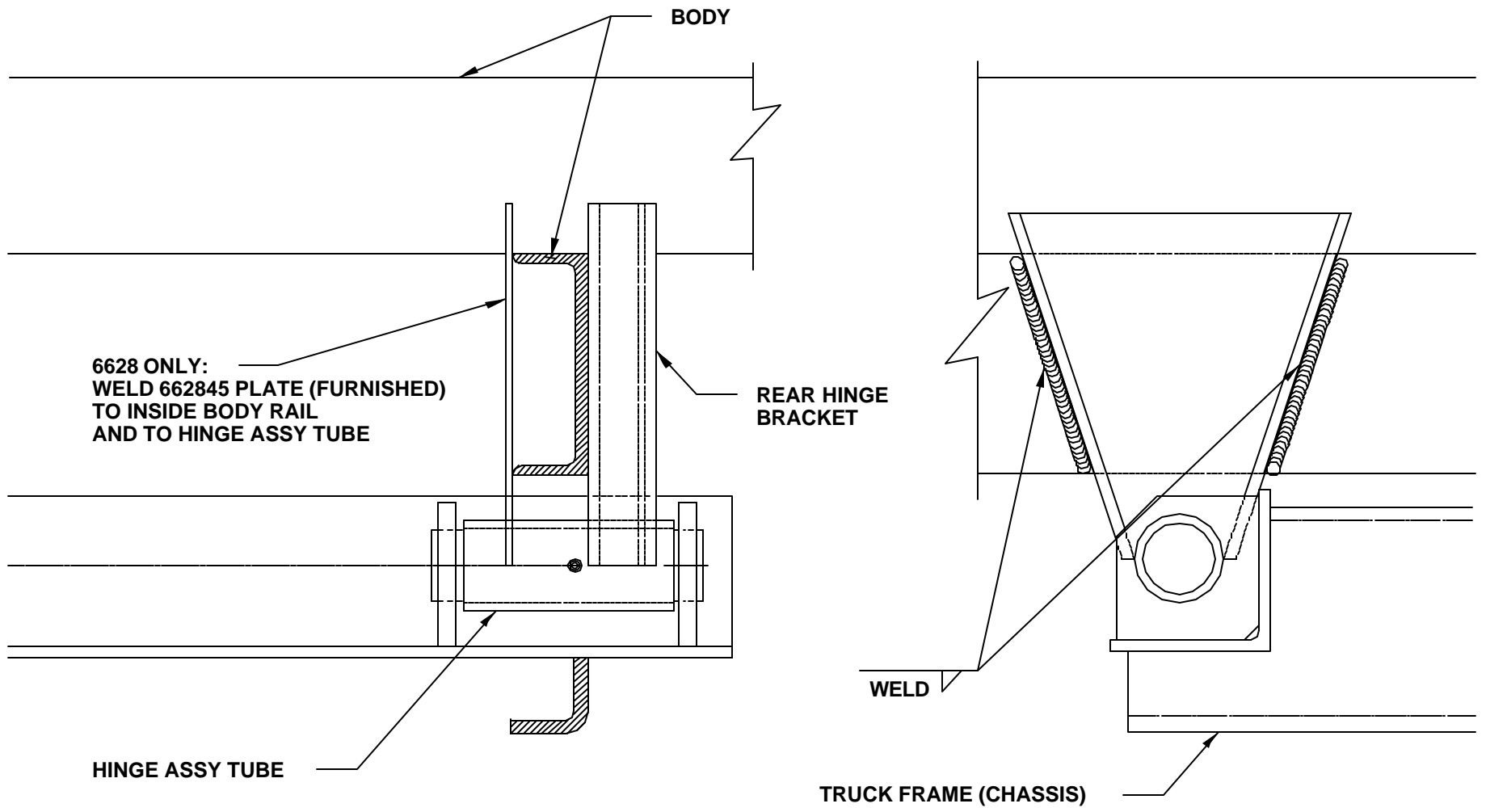
Figure 2 - Frame Modification and Rear Hinge Attachment

- D. Locate the hoist on the truck frame, making sure to center and square the hoist to the truck frame. The VC Hoist is designed to rest on the truck frame. A section of the hoist extends below the truck frame level. Therefore, the hoist may have to be moved slightly forward or backward to avoid frame crossmembers. The distance between the rear hinge assembly center and the hoist center is referred to as the "M" dimension. The tables on drawings 520071, 662053, and 628021 provide the dump angles associated with various "M" dimensions.

Note: Moving the hoist along the truck frame will affect the hoist's performance. A forward movement decreases dump angle and increases capacity. A backward movement increases dump angle and decreases capacity.



TITLE	MOUNTING INSTR.	DATE	10-27-97B	SECTION	H200
	VC 520 - VC 6628	SUPERCEDES	9-4-97A		520072



TITLE	DATE	SECTION
REAR HINGE TO BED MTG. INSTR.	6-28-97A	H200
VC 520 - VC 6628	SUPERSEDES 10-23-97	662861

HOIST MOUNTING INSTRUCTIONS (Continued)

E. After the hoist is positioned, place the mounting angles (Figure 4) under each side of the hoist saddle and against the truck frame. Clamp securely in place. Drill through the frame ($17/32$ ") and install the mounting angle with three (3) $1/2$ " x $1-1/2$ " Grade 8 hex head cap screws, lock washers, and hex nuts (both sides).

NOTE: The hoist mounting bracket must sit flush on the truck frame. If rivet head interference is encountered, use a filler block or countersink clearance holes in the bottom of the hoist saddle.

Do not weld the hoist mounting bracket to the truck frame. This may void the truck warranty.

F. Weld each end of the hoist saddle to its mounting angle as shown in Figure 4. Note the welding symbols. Do not weld to the truck frame.

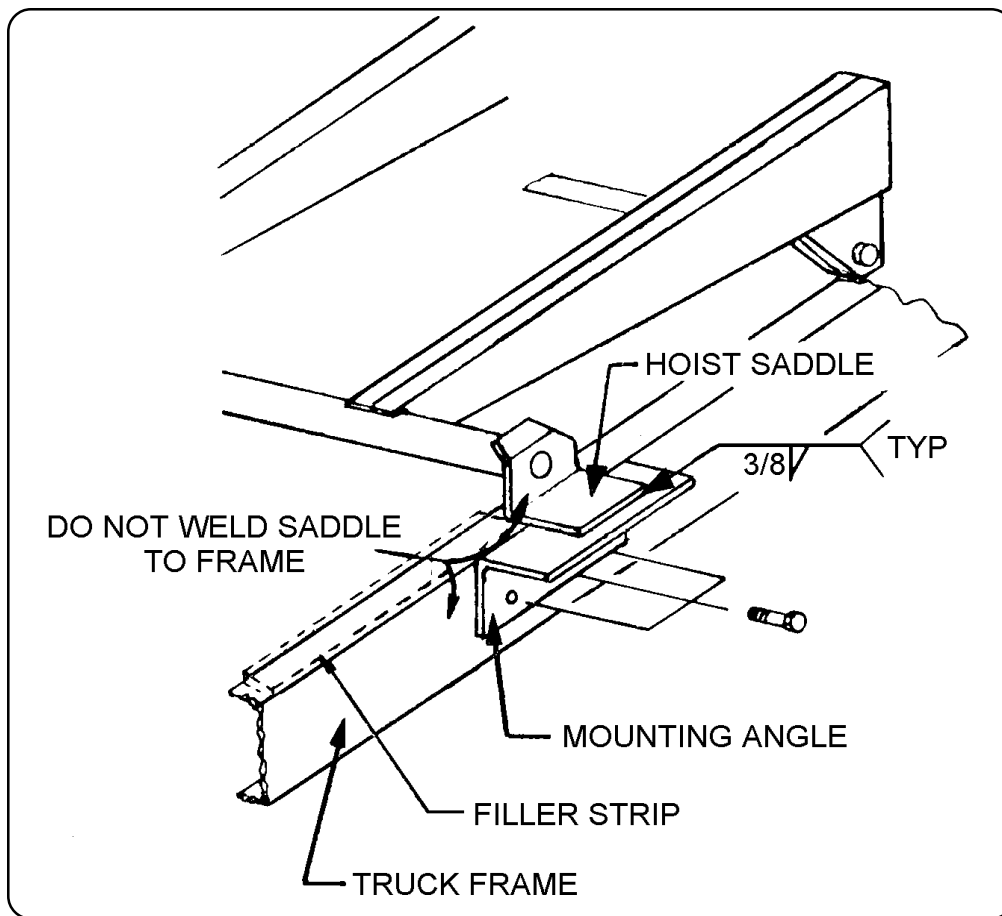


Figure 4 - Mounting Angle Assembly



TITLE
MOUNTING INSTR.
 VC 520 - VC 6628

DATE
9-4-97A
 SUPERCEDES
3-15-90

SECTION
H200
520074

HOIST MOUNTING INSTRUCTIONS (Continued)

G. Install the PTO pump per the following instructions and per the pump manufacturer's instructions.

1. See Figure 5. Position and bolt each pump bracket to the pump and secure with the 3/8 x 1-1/4" bolts and hex nuts (VC-520 requires only 2 pump brackets).
2. Position the pump assembly with brackets and securely clamp to the frame on the same side that the transmission mounted PTO shaft is located.

Note: Position the pump brackets as high on the truck frame as possible when mounting the pump.

3. Two (2) 17/32" holes need to be drilled in the pump brackets and truck frame (Figure 5). Mark the hole locations as close to the truck frame flanges as possible. Drill 17/32" holes and install the 1/2" x 1-1/2" hex head cap screws with lockwashers and hex nuts.

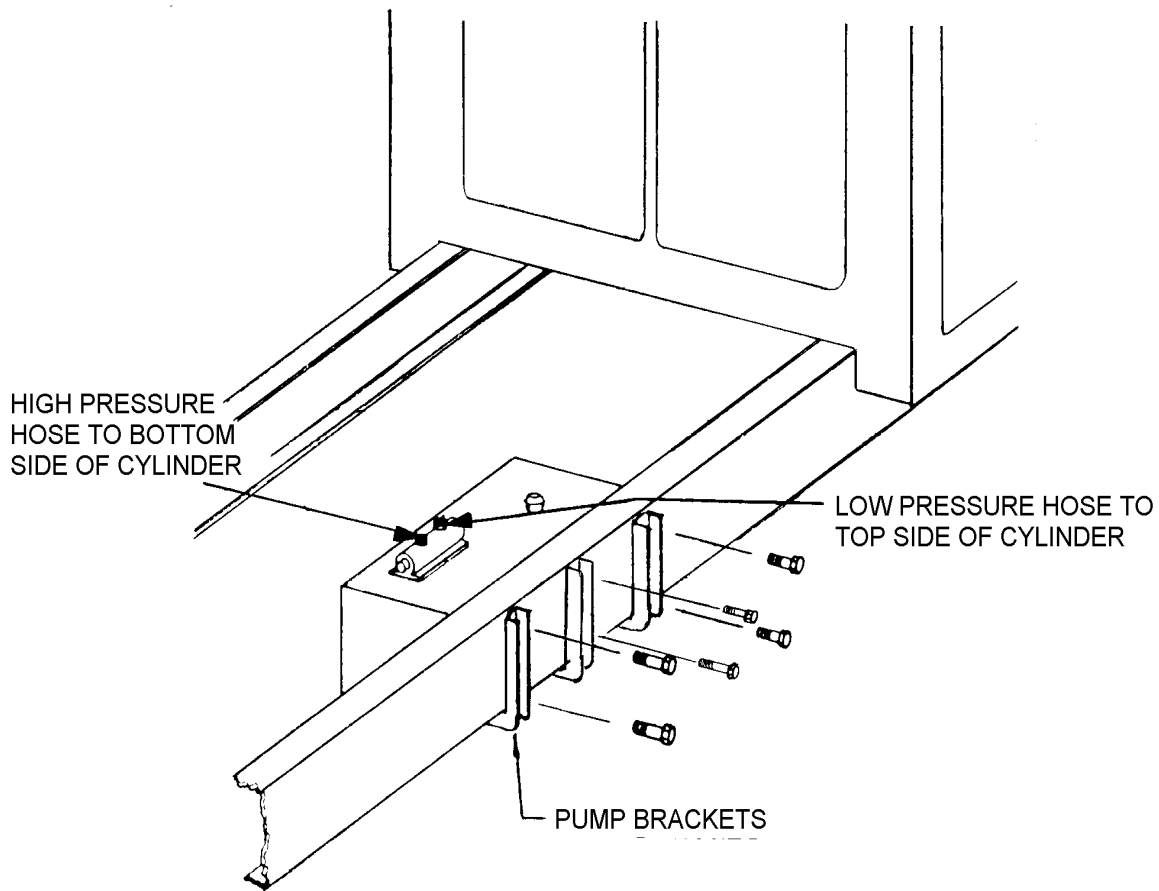


Figure 5 - Pump Installation



TITLE	MOUNTING INSTR.
	VC 520 - VC 6628

DATE	9-4-97A
SUPERCEDES	3-15-90

SECTION	H200
	520075

HOIST MOUNTING INSTRUCTIONS (Continued)

4. Install the truck PTO assembly using the manufacturer's instructions.
5. Determine the exact length "L" of the drive shaft (Figure 6). The drive shaft should be kept as short and level as possible.
6. Cut the 7/8" square drive shaft to the length that was determined in the previous steps.
7. The supplied U-joint (with the 1" round x 7/8" square slip yoke) fits on the pump drive shaft. The U-joint for the PTO is not furnished.
8. Trial fit each U-joint to the hex drive shaft and trial fit the drive shaft assembly to the pump and PTO. At this point, mark the set screw locations of the PTO U-joint on the square drive shaft. Disassemble the drive shaft assembly and countersink the drive shaft at the marked locations.
9. Assemble each U-joint to the hex drive shaft and install the drive shaft assembly. After installing, secure the PTO U-joint to the drive shaft using 3/8" x 5/8" drilled hex head set screw (furnished). Safety wire all (3) screws to insure that they do not loosen.
10. For additional pump and drive shaft mounting instructions, refer to the manufacturer's instructions included with the pump. Refer to Figures 6 and Dwg. 520078.

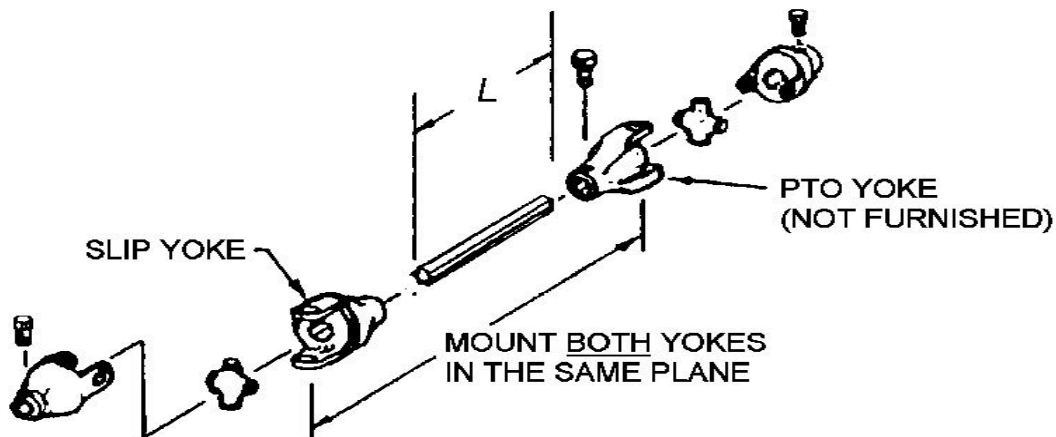


Figure 6 - Drive Shaft Assembly

H. Install hydraulic hoses per the following instructions:

1. 7' (or 7'-10") hose(s) installation - Connect one end of the hose to the front pump port (low pressure). Connect the other end of the hose to the rod end of the hoist cylinder (Figure 5).
2. 5' hose(s) installation - Connect one end of the hose to the rear pump port (high pressure). Connect the other end of the hose to the base end of the hoist cylinder (Figure 5).



TITLE
MOUNTING INSTR.
VC 520 - VC 6628

DATE
5-20-99D
SUPERCEDES
11-17-98C

SECTION
H200
520076

HOIST MOUNTING INSTRUCTIONS (Continued)

- I. Position and secure the filler strips (liner or sleeper) to the truck frame (Figure 4).

The VC 520 and VC 620 require a minimum of 7-1/2" clearance above the truck frame.

The VC 628 requires a minimum of 8" clearance above the truck frame.

The VC 5520 and VC 6620 require a minimum of 8-1/2" clearance above the truck frame.

The VC 6628 requires a minimum of 10-1/2" clearance above the truck frame.

Example: Assuming that a 7-1/2" clearance is required and 5" long beams are on the truck body, a liner of at least 2-1/2" net will be required to obtain the minimum clearance required to mount the hoist.
 $5" + 2-1/2" = 7-1/2" \text{ min.}$

- J. Position the body longitudinals (long beams) onto the truck frame.

Note: At least 2" are required for clearance between the cab and closest point on the truck body.

- K. Place the rear hinge brackets in the vertical position (Figure 2). Weld and/or bolt the brackets to the longitudinals. If bolted, mark and drill each bracket four (4) places (17/32" holes) and secure the brackets to the longitudinals using eight (8) 1/2"-13 x 1-1/2" Grade 8 hex head cap screws, eight (8) 1/2" lockwashers, and eight (8) 1/2"-13 hex nuts.

- L. **Refer to Drawing 520093 on the following page.** Make sure that the dump body longitudinals are resting flush on the top of the spacers (which are welded to the lifting angles). Weld the top of both lifting angles (the vertical "leg") to the top flanges of the body longitudinals - a reinforcement plate may be required to fill the space between the lifting angles and body longitudinals. Weld all around the lifting angles, body longitudinals, spacers, and reinforcement plates (if used). **Be sure that your installation follows the method shown on the following page - Drawing 520093.**

Note: Step "L" (above) is a critical installation procedure that must be carefully followed to ensure a successful hoist installation. Deviation from the suggested installation method may result in damage to the hoist.



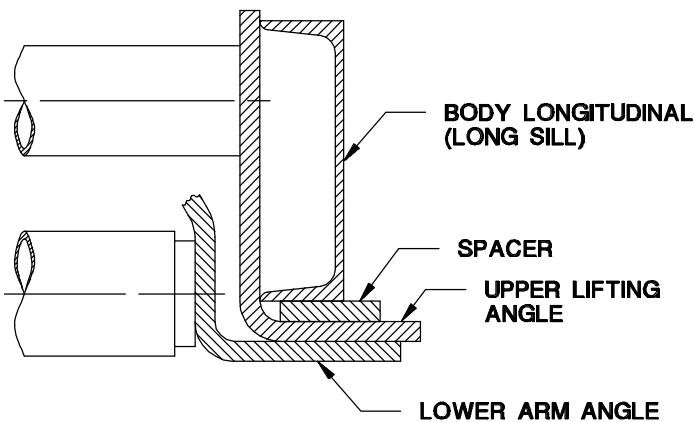
TITLE	DATE	SECTION
MOUNTING INSTR.	5-19-98	H200
VC 520 - VC 6628	SUPERCEDES 9-4-97	520077

IMPORTANT!

WHEN INSTALLING THE UPPER LIFTING ANGLES, THE GOAL IS TO COMPLETELY "BOX IN" THE LIFTING ANGLE, BODY LONG SILL, SPACER, AND REINFORCEMENT PLATE - 100% WELD.

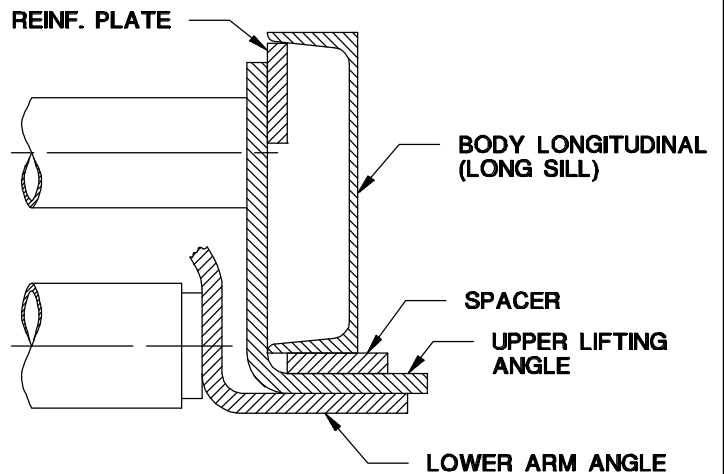
SITUATION A:

LIFTING ANGLE FULLY ENVELOPS BODY LONG SILL

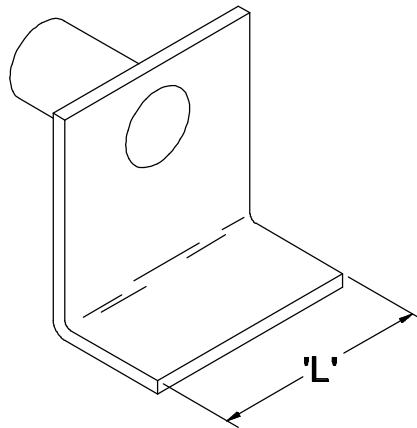


SITUATION B:

LIFTING ANGLE DOES NOT ENVELOP BODY LONG SILL AND A REINFORCEMENT PLATE IS REQUIRED

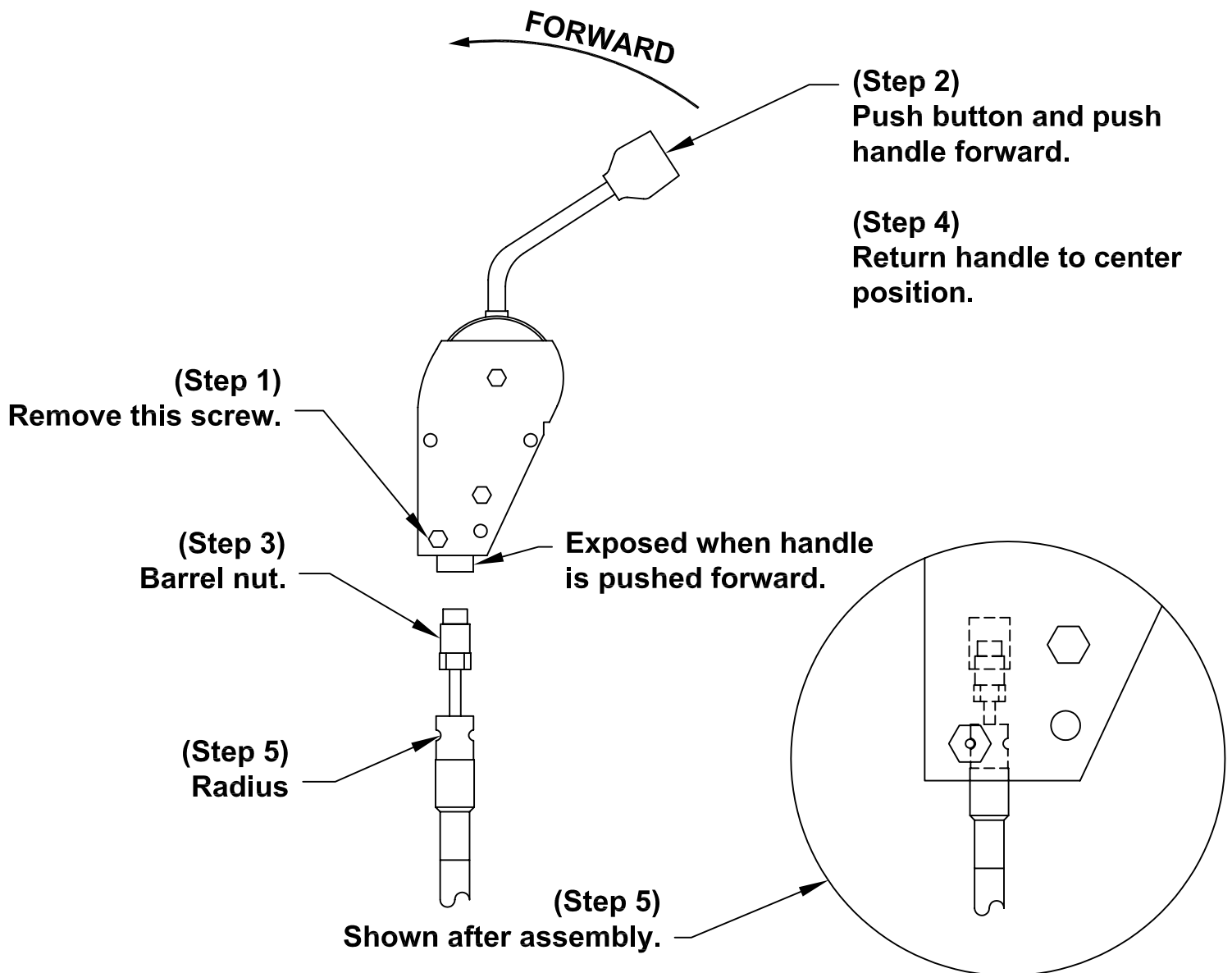


NOTE: THE SPACER AND REINFORCEMENT PLATE SHOULD BE THE SAME LENGTH AS THE LIFTING ARM. SEE 'L' DIMENSION BELOW.

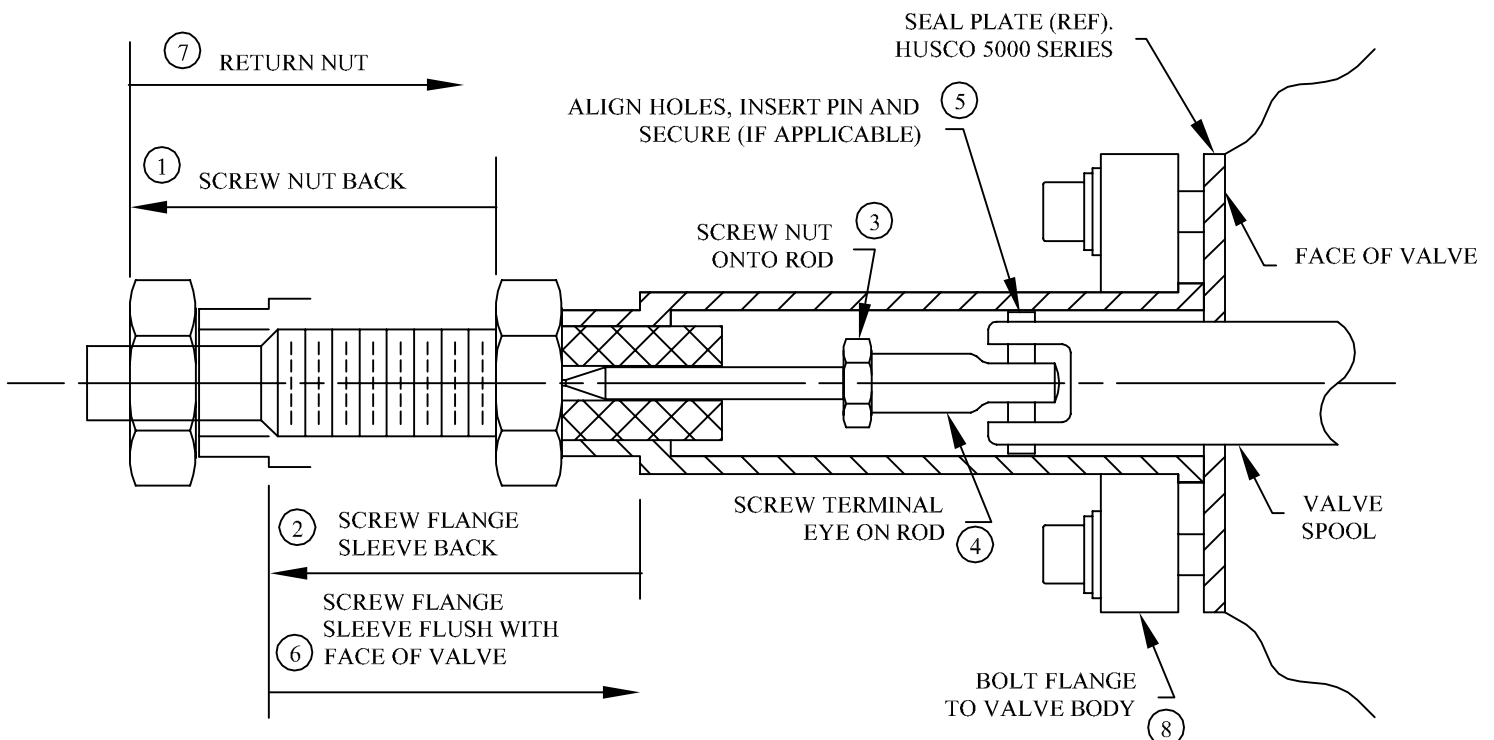


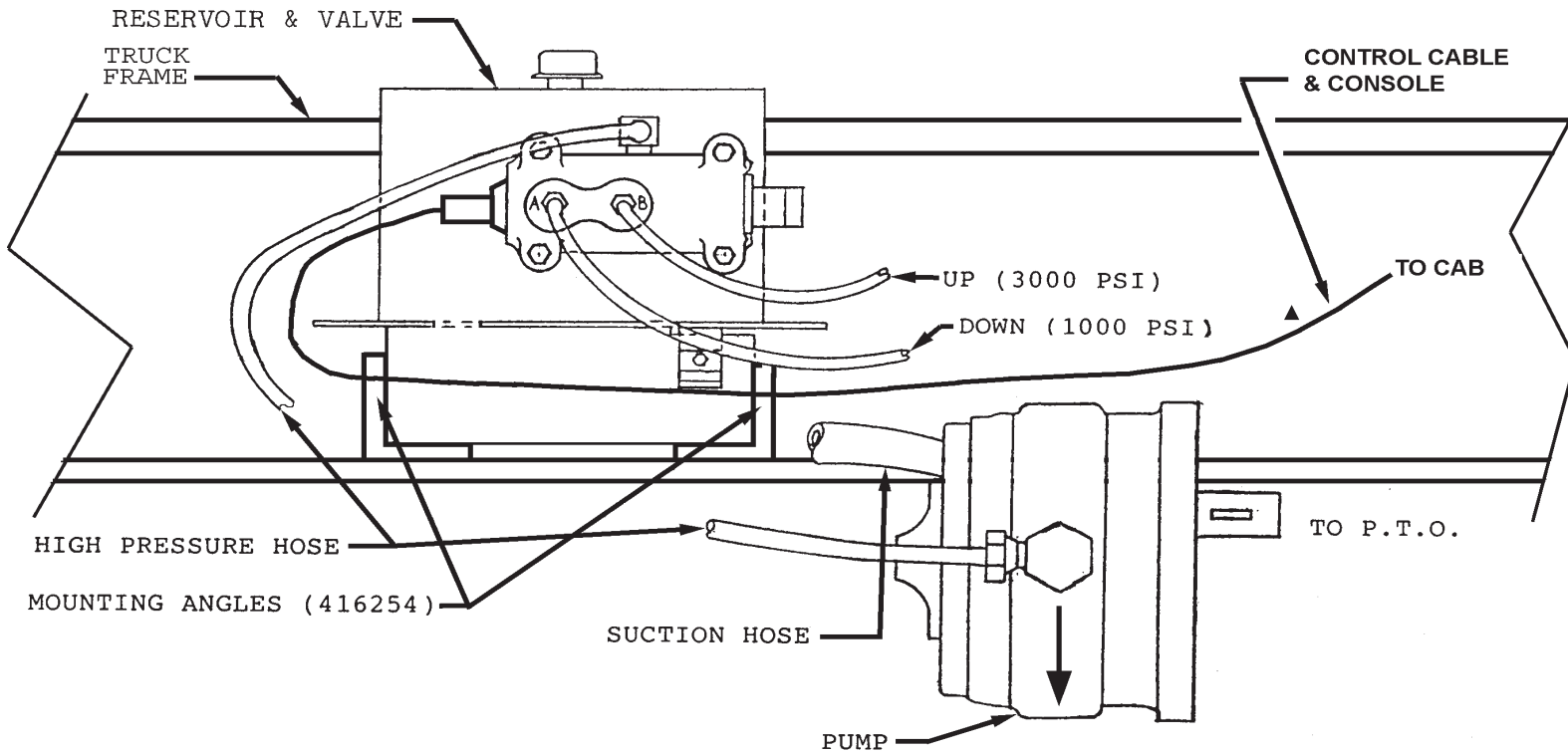
ATTACHING 620129 CABLE TO 620131 / 2 HANDLE

- Step 1. Remove lowest screw & nut.
- Step 2. Depress red button on top of handle. Push handle forward and hold.
- Step 3. While holding handle, thread "barrel nut" into threaded hole in bottom and tighten.
- Step 4. Release handle. Handle should return to center position.
- Step 5. Replace screw & nut, making sure that radius on cable end is aligned with screw hole. After tightening screw, move handle forward and backward to make sure cable end is secure in console.



1. Thread .750-16 UNF jam nut entire length of threaded hub and onto cable.
2. Place flange on sleeve and turn flange/sleeve assembly entire length of threaded hub and onto cable.
3. Thread .250-28 UNF jam nut onto threaded rod until it bottoms.
4. Thread terminal eye onto threaded rod and bottom against jam nut, turn to align with spool slot and secure jam nut against terminal eye.
5. Slide terminal eye into slot in spool and align holes. Insert connecting pin and secure with cotter pin (if applicable).
6. With cable attached to valve and input device, thread the flange/sleeve assembly onto the threaded hub until it is flush with the valve face. When turning the flange/sleeve assembly, make sure the input device remains in the neutral position.
7. Tighten the .750-16 UNF jam nut against the sleeve to lock in position.
8. Bring flange into position and bolt assembly to valve housing using two (2) socket head cap screws and two (2) split lockwashers under head and two (2) flat washers under lockwashers. Tighten screws sufficiently to flatten lockwashers or secure flange. Caution any further torquing/overtightening will distort flange.



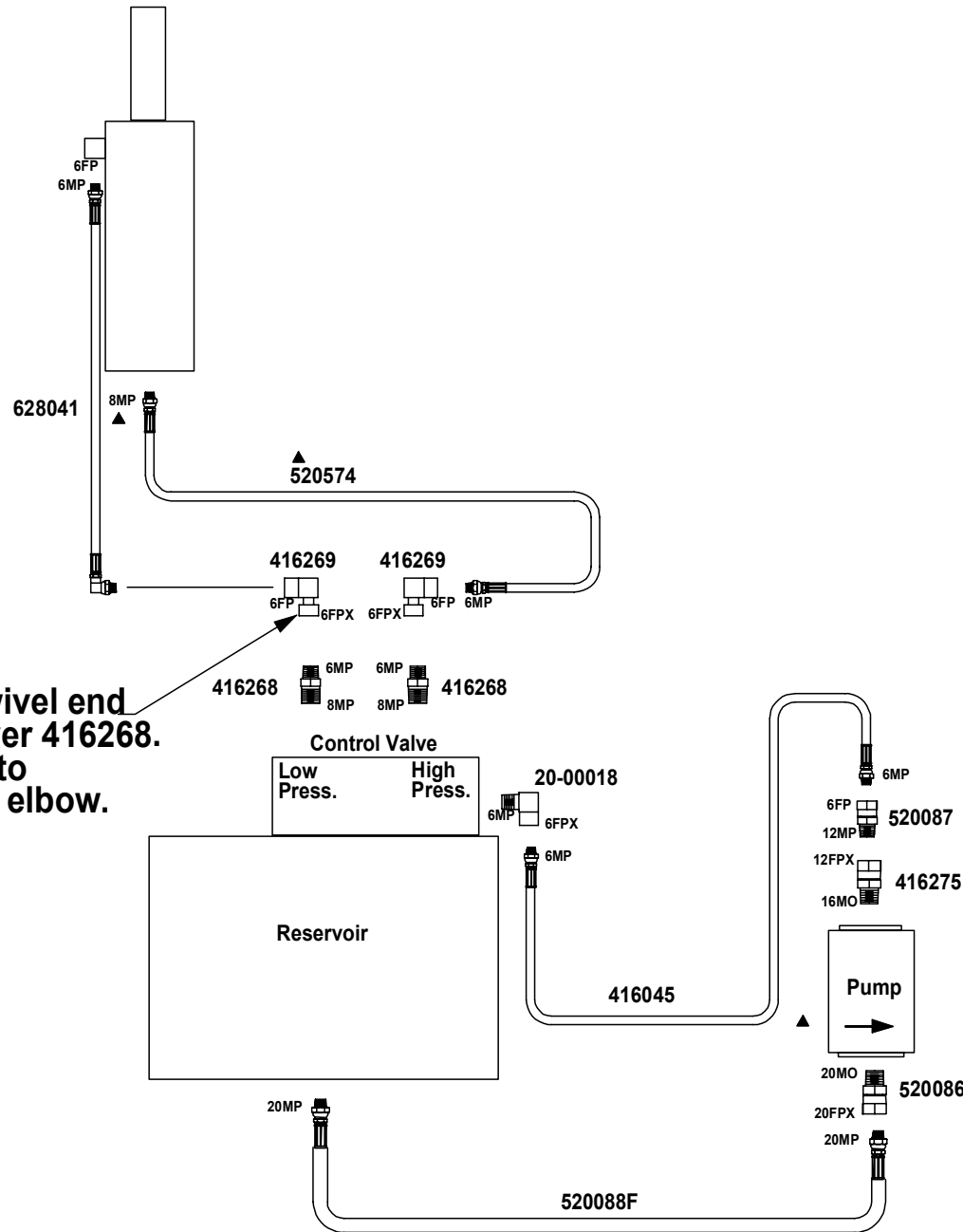


NOTE: ARROW ON PUMP HOUSING INDICATES ROTATION DIRECTION
FAILURE TO MATCH PTO ROTATION WITH PUMP ROTATION WILL
RESULT IN PUMP FAILURE.

Model	VC416	VC516	VC520	VC620	VC628	VC5520	VC6620	VC6628
▲ Control Cable & Console	620125 - Curved				620124 - Straight			
Up Hose	416044					(2) 416044		
Down Hose	416045			628041		(2) 416045		(2) 628041
High Pressure Hose	416045							
Suction Hose	416079				520088F			
Pump/Valve/Tank	620011				662077			
Pump (Only)	416277				520090			
Mounting/Spline Information	SAE "A" 2 BOLT MOUNTING FLANGE, 5/8"-9 SPLINE SHAFT, CCW ROTATION				SAE "B" 2 BOLT MOUNTING FLANGE, 7/8"-13 SPLINE SHAFT, CCW ROTATION			



TITLE	DATE	SECTION
SPLIT PUMP	5-11-04H	H200
VC 416/516, VC 520 - 6628	SUPERCEDES 4-15-04G	416138



NOTE: Thread swivel end of elbow fitting over 416268. Hoses will attach to non-swivel end of elbow.

NOTE: ARROW ON PUMP HOUSING INDICATES ROTATION DIRECTION. FAILURE TO MATCH PTO ROTATION WITH PUMP ROTATION WILL RESULT IN PUMP FAILURE.

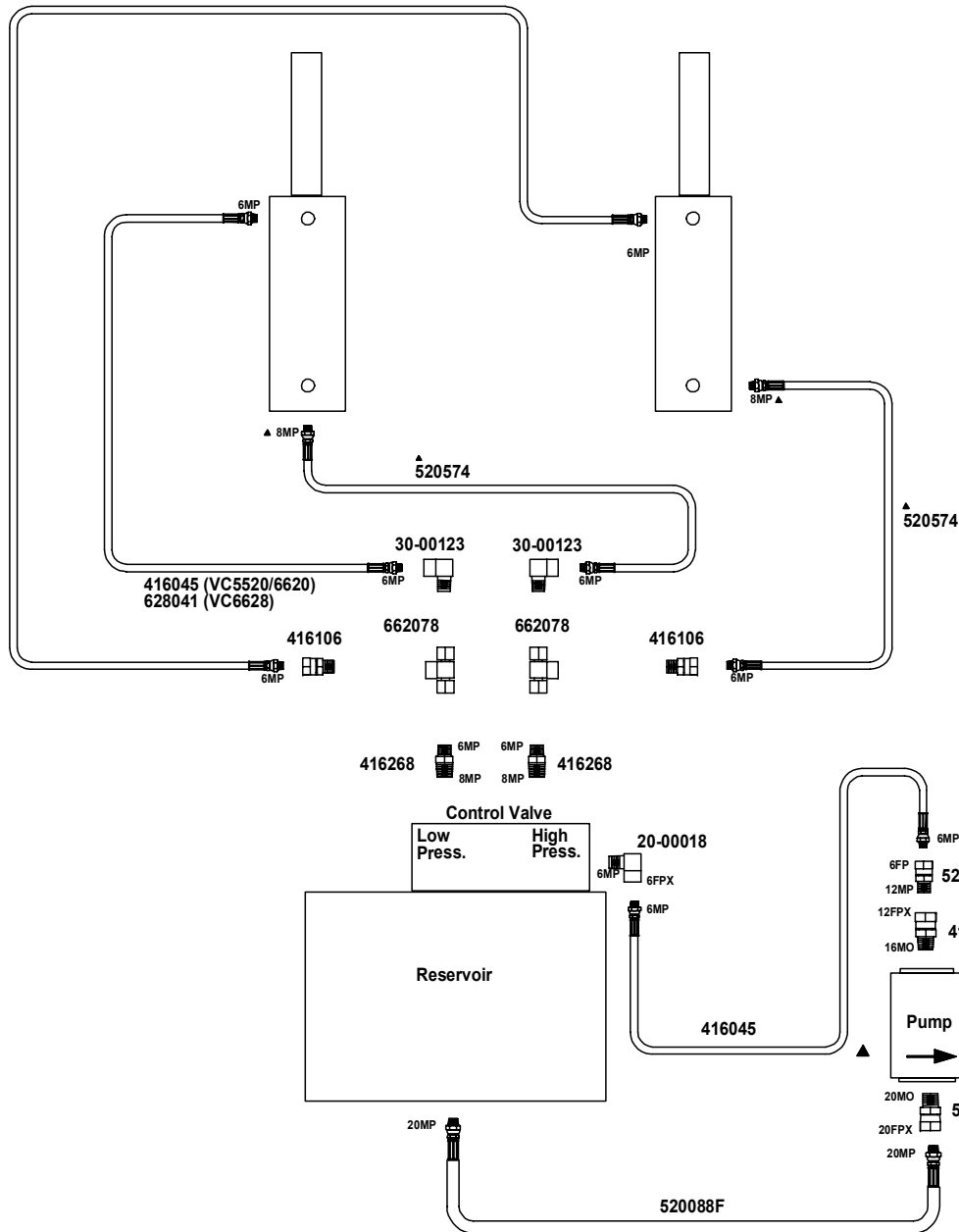


TITLE
SPDG HOSE CONNECTION DIAGRAM
 VC628

DATE
5-10-04B
 SUPERSEDES
11-14-02A

SECTION
 -
628029

416045 (VC5520/6620)
628041 (VC6628)



▲
NOTE:
ARROW ON PUMP HOUSING
INDICATES ROTATION DIRECTION.
FAILURE TO MATCH PTO
ROTATION WITH PUMP ROTATION
WILL RESULT IN PUMP FAILURE.



TITLE
SPDG HOSE CONNECTION DIAGRAM

DATE
5-10-04C

SECTION

-

VC5520, VC6620, VC6628

SUPERSEDES
11-14-02B

552002

HOIST MAINTENANCE AND OPERATION INSTRUCTIONS

A. Hoist Unit Lubrication

1. PTO Driven Pump - Tighten and grease (with high quality commercial grade grease) the lube fittings located in the PTO drive shaft assembly.
2. Lubricate all grease fittings on the hoist unit.
3. Lubricate the rear hinge assembly.
4. The hoist system should be serviced at the same time the truck is serviced, and sooner if the hoist unit is performing heavy duty service.
5. Pump Reservoir - Shall be filled with the recommended oil per the manufacturer's instructions. Periodically check the hydraulic fluid and change when the truck engine oil is changed.

B. PTO Pump Operation

With the hoist and body completely installed, cycle the hoist several times to purge the hydraulic system of air. Operate the hoist system per the instructions in this manual and per the PTO manufacturer's instructions.

WARNING

Do not operate the pump at more than 1000 RPM. Severe hoist system damage could result. The PTO speed to engine speed is governed by the gear ratio of the PTO drive installed in the truck transmission.

CAUTION

For long service and safety from VC Hoists, it is important that the following procedure be followed each time the hoist is operated:

1. Engage the PTO from the truck cab and adjust the engine speed to obtain the correct PTO and lift speed desired.
2. Pull the pump knob out. This will cause the hoist to raise. Refer to Drawing 520078.
3. When the hoist has reached its maximum capacity, the pump will bypass through the relief valve. To prevent the pump from bypassing, push the pump knob to the center/middle position. Whenever the pump knob is centered, the hoist will stop moving and hold its position.

CAUTION

Do not allow the pump to bypass for long periods of time, as this will put stress on the hydraulic and electrical systems of the hoist.

4. To lower the hoist, push the pump knob in.

NOTE

The Venco Hoists powered by PTO drive pumps must be "powered down". Failure to "power down" will cause the reservoir to overflow.

5. To lock the hoist against the truck frame when it is in the down position, push the pump knob in. When the pump bypasses, place the knob in the center "hold" position.
6. Disengage PTO from transmission per the manufacturer's instructions.

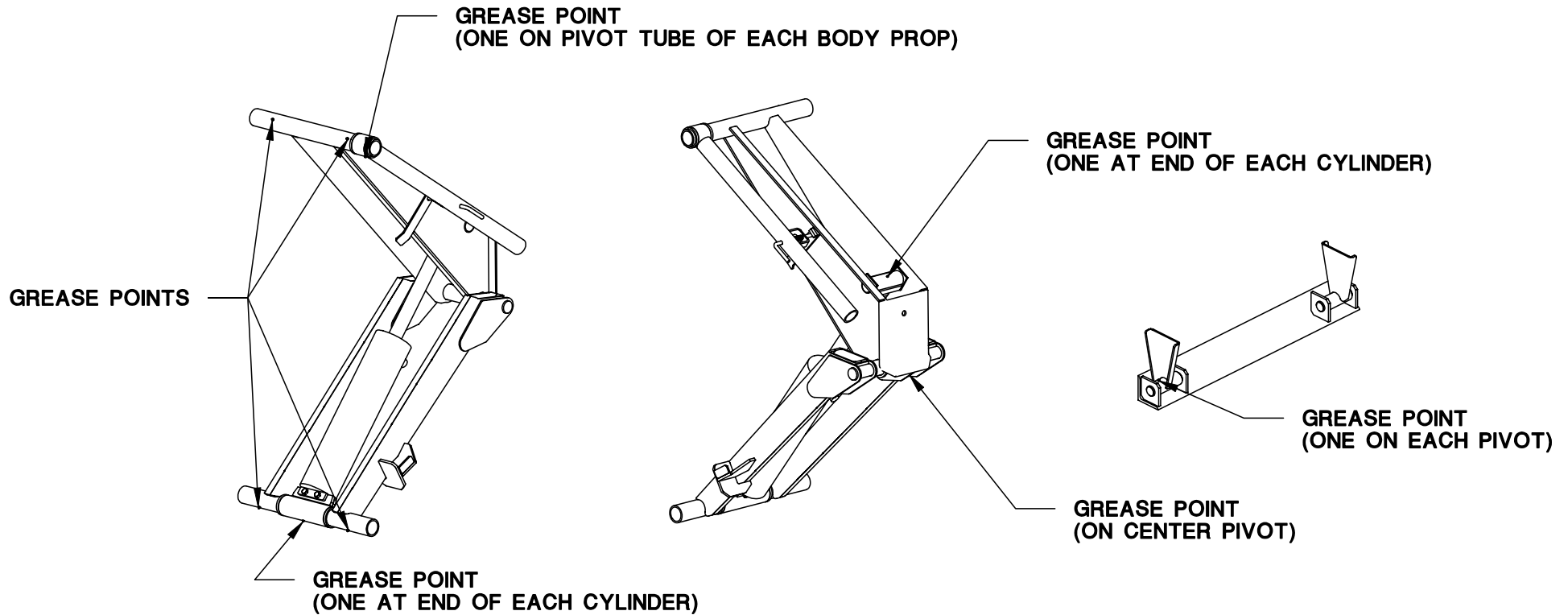
WARNING

Do not drive the truck without first disengaging the PTO drive shaft. Failure to disengage the PTO drive shaft may result in severe damage to the pump and pump drive unit.



TITLE	DATE	SECTION
MAINT. & OPER. INSTR.	9-4-97A	H200
VC 520 - VC 6628	SUPERCEDES 3-15-90	520079

HOIST GREASE POINTS



TO ENSURE THE RELIABLE PERFORMANCE OF YOUR VENCO HOIST, IT IS NECESSARY THAT YOU GREASE THE HOIST AT THE TIME OF TRUCK SERVICE WITH CHASSIS GREASE.

THE GREASE POINTS FOR THE HOIST SCISSORS AND REAR HINGE ARE SHOWN ABOVE.

ADDITIONAL FITTINGS FOR TWIN CYLINDER HOISTS AND ADDITIONAL BODY PROPS ARE ALSO NOTED.



TITLE

GREASE POINTS FOR HOISTS

DATE

9-4-02

SECTION

-

SUPERSEDES

-

VC416/516/520/620/628/5520/6620/6628

520054

BODY PROP USE AND WARNINGS

D. Body prop(s): Federal Regulation 1926.601, Paragraph 10, requires the use of a body prop. Accordingly, all Venco Hoist Units will have included as a standard item a body prop (safety strut). See Paragraphs D.1. & D.2. below.

WARNING

Do not place arms, hands, or any part of the body between the truck longitudinals (long beams) or moving parts to pull the body prop release/locking pin

Do not use the body prop(s) to support a loaded truck body.

Body prop(s) should be free swinging to a vertical position after the locking pin is released.

Read operation of safety strut and caution labels before operating the hoist.

1. The body prop is designed for use only when the truck body is empty. The purpose of the body prop is to provide a safety strut for use when maintenance or inspection are performed on an unloaded truck body in the raised position.

2. One (1) body prop shall be furnished for truck bodies up to and including 15 feet. For bodies longer than 15 feet in length, two (2) body props should be used.

Note: For all dump bodies two (2) body props are required.

3. On models equipped with a spring-loaded release pin, use a suitable tool to pull out the release pin to release the body prop from the hoist frame. This will release the body prop allowing it to swing downward to a vertical position.

4. Make sure that the body prop is aligned with the body prop foot rest (the body prop will be in a vertical position), then allow the truck body to move downward until the body prop is seated in the foot rest. Note: Do not power down after making contact with body prop foot rest.

5. To disengage the body prop, raise the truck body until the body prop swings freely away from the foot pad. Using a suitable tool, place the tool in a leverage position on the body prop and propel sharply to the left and upward (or to the right and upward) so that the locking pin can be compressed and seated in the locking pin hole. Make certain the body prop is latched securely before the hoist is operated.

WARNING

Use care when reseating the body prop(s) in the locked position.



TITLE	DATE	SECTION
BODY PROP INSTR.	5-24-02C	H200
VC 520 - VC 6628	SUPERCEDES 5-6-01B	520081

INSTRUCTIONS FOR FILLING THE RESERVOIR OF ELECTRIC HYDRAULIC POWER UNITS

THE FOLLOWING HOIST MODELS ARE INCLUDED:
VP/VC-6(R), VC-416/516, VC-520 - ES & ED, VC-620 - ES & ED ▲

MODEL NO.	RESERVOIR CAPACITY	TOTAL FLUID REQ'D
VP/VC-6(R)ED	2 QTS.	3.5 QTS
VC-416 ES/ED	4 QTS.	5.5 QTS
VC-516 ES/ED	4 QTS.	7.5 QTS
VC-520 ES/ED	4 QTS.	9.0 QTS.
▲ VC-620 ES/ED	4 QTS.	12.0 QTS.

PROCEDURE

STEP 1 - On 416, 516, 520 ES, 620 ES models only, do not attach rod end hose to the cylinder until after completing Steps 2 thru 6. ▲

STEP 2 - Remove the reservoir breather. With the hoist in the down position, fill the reservoir with ISO viscosity grade 32 hydraulic oil (Tellus 32 or equivalent) - 3.5 qts. for 416, 516, 520, 620 and 2 qts. for VP-6(R). ▲

STEP 3 - Raise the hoist halfway (22-25° dump angle, approx. 8" of cylinder stroke).

STEP 4 - Fill the reservoir with an additional 2 qts. for VP-6(R), 416, 516 and 3 qts. for 520, 620. ▲

STEP 5 - Raise the hoist completely.

STEP 6 - Refill the reservoir with the remaining fluid required.

STEP 7 - Attach hose to rod end of cylinder on the 416, 516, 520 ES, 620ES models. ▲

Example: VC-416 ES/ED Hoist

Step 2 - Add 3.5 qts.

Step 4 - Add 2.0 qts.

Step 6 - Add 0.0 qts. (none req'd)

= 5.5 qts. total



MANUFACTURING, INC.

TITLE
FILLING HYD. RESERV.

VP/VC6(R) VC 620 - V C520

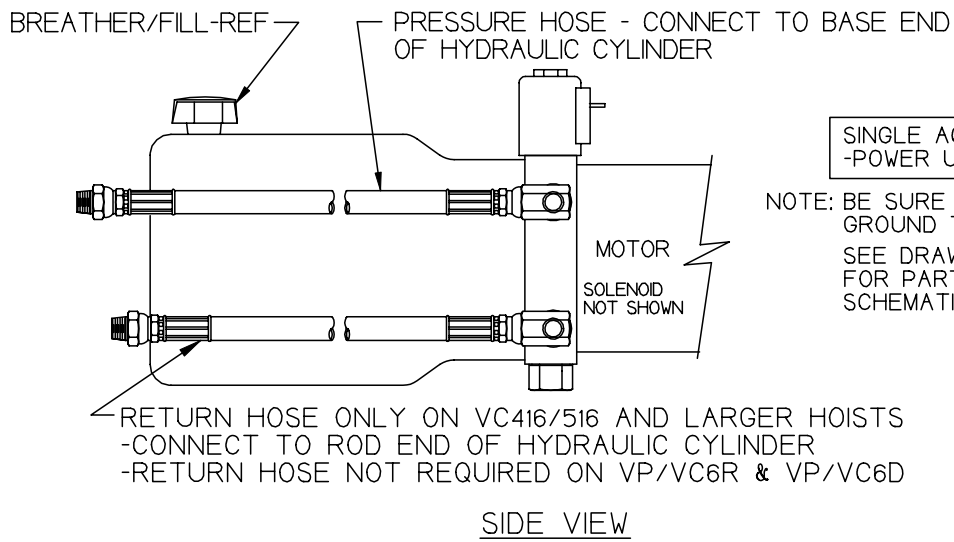
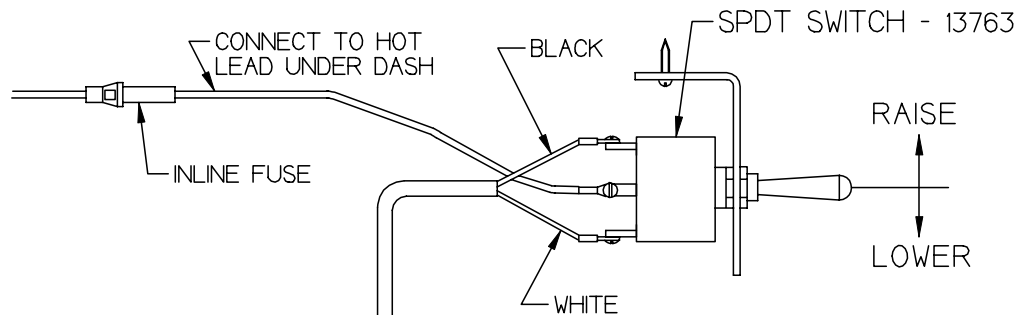
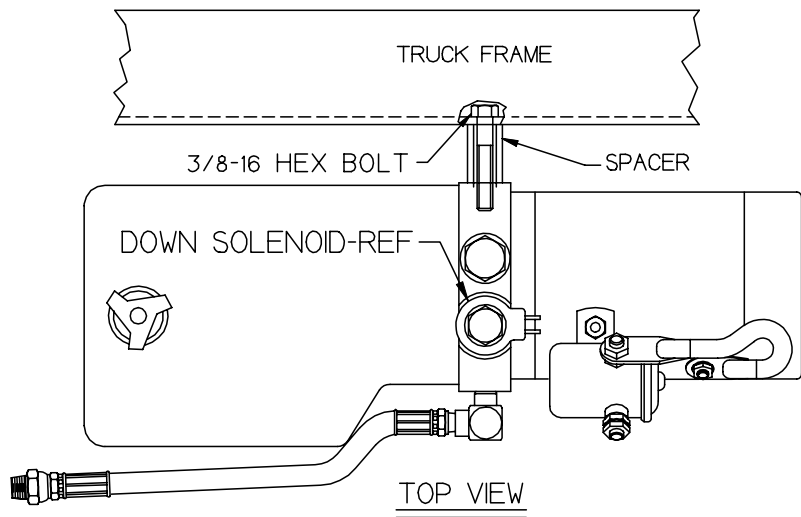
DATE
6-18-03B

SUPERCEDES
7-30-02A

SECTION
H300

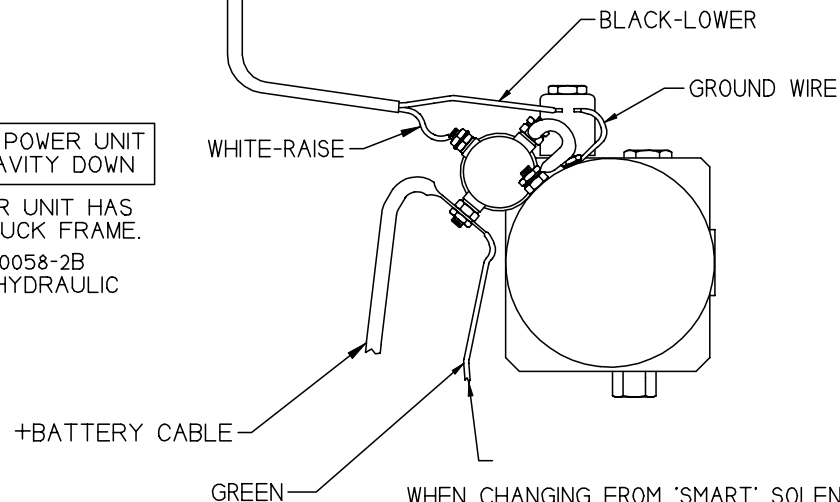
416140

* IF SPACERS ARE NOT USED USE 1" LG. BOLTS



SINGLE ACTING POWER UNIT
-POWER UP/GRAVITY DOWN

NOTE: BE SURE POWER UNIT HAS GROUND TO TRUCK FRAME.
SEE DRAWING 40058-2B FOR PARTS & HYDRAULIC SCHEMATIC.



WHEN CHANGING FROM 'SMART' SOLENOID TO OLD STYLE CONNECT GREEN WIRE HERE. CONNECT BLACK TO EITHER WIRE ON RELEASE SOLENOID AND GROUND THE OTHER WIRE.



TITLE
PLUMBING & WIRING DIAGRAM

DATE
7-18-00

SECTION
H200

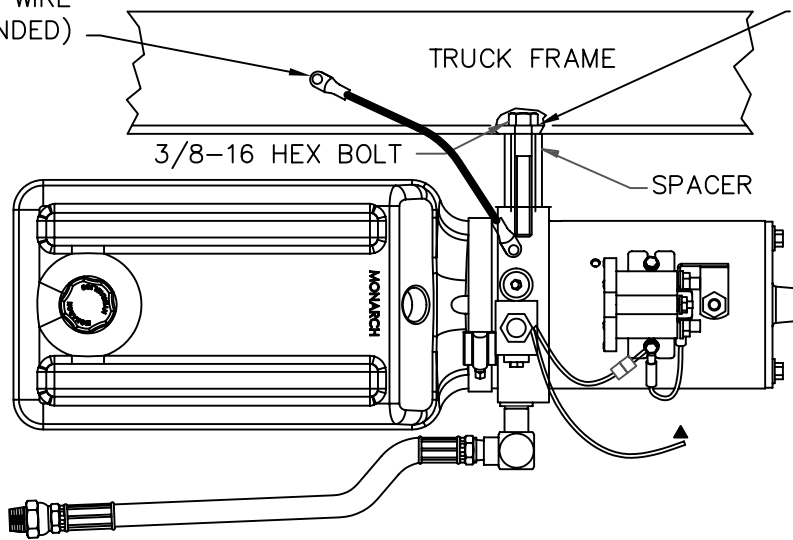
FENNER ES POWER UNIT 40058-2B

SUPERSEDES
7-6-98

6133B

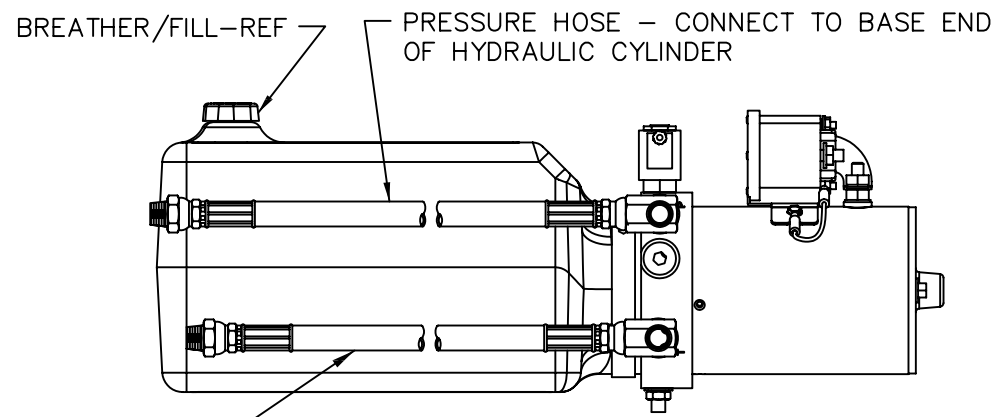
40058M

OPTIONAL GROUND WIRE (RECOMMENDED) *IF SPACERS ARE NOT USED USE 1" LG. BOLTS

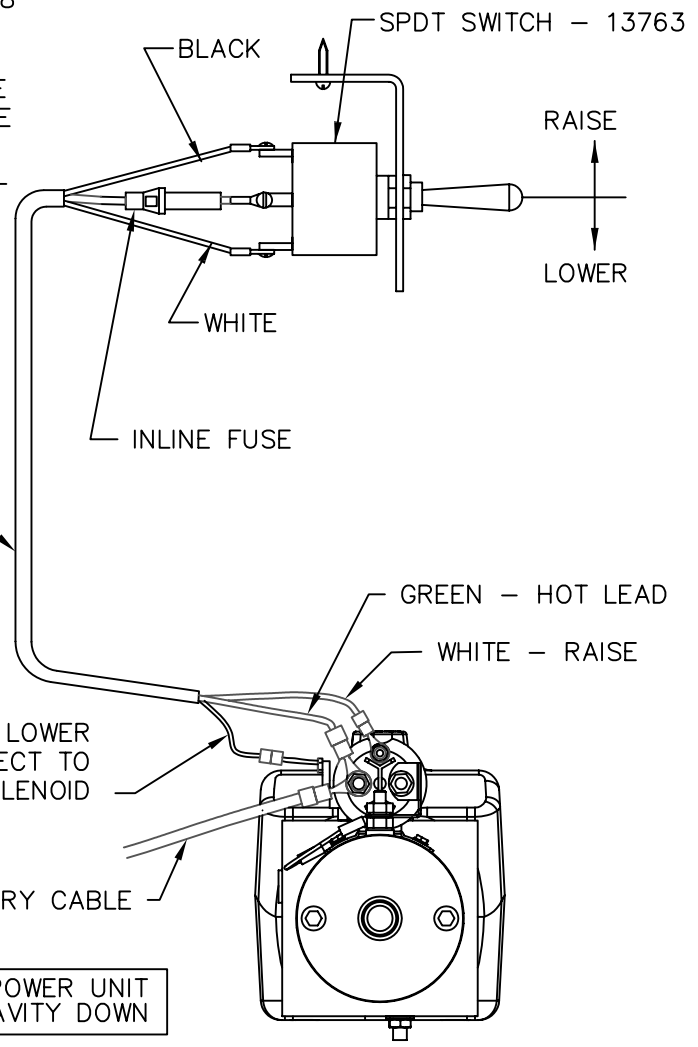


TOP VIEW

NOTE: BE SURE TO USE 3/8" STAR-LOCK WASHERS (2 PLCS) UNDER THE TWO MOUNTING BOLTS TO INSURE A PROPER GROUND FOR THE HYDRAULIC POWER UNIT. FOR BEST RESULTS, INSTALL THE "OPTIONAL" GROUNDING STRAP ASSEMBLY, P/N 22079, BETWEEN THE HYDRAULIC POWER UNIT AND TRUCK FRAME.



SIDE VIEW



SINGLE ACTING POWER UNIT - POWER UP/GRAVITY DOWN

NOTE: BE SURE POWER UNIT HAS GROUND TO TRUCK FRAME. SEE DRAWING 416308 FOR PARTS

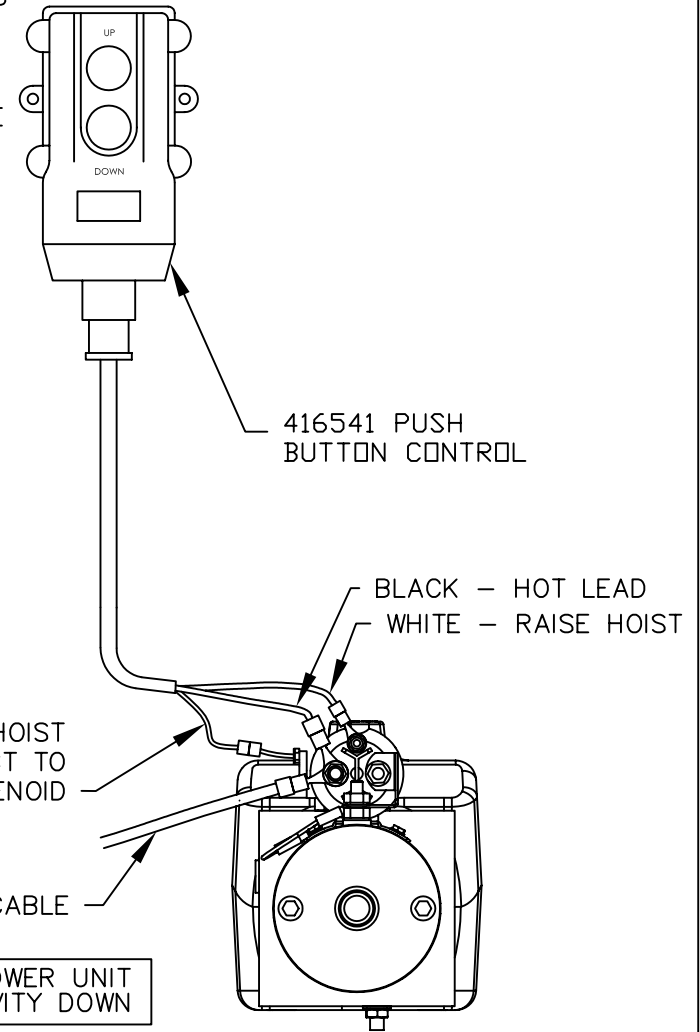
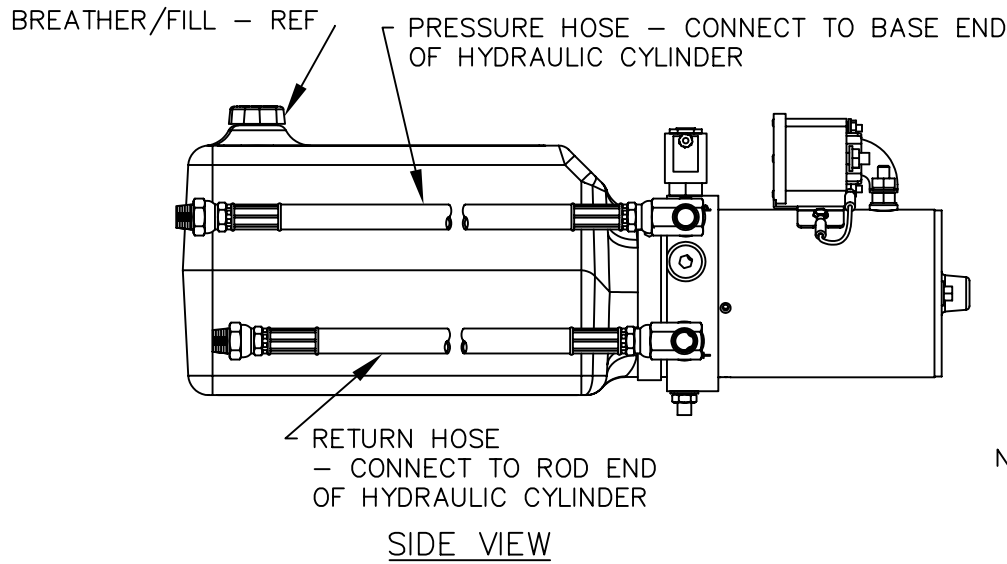
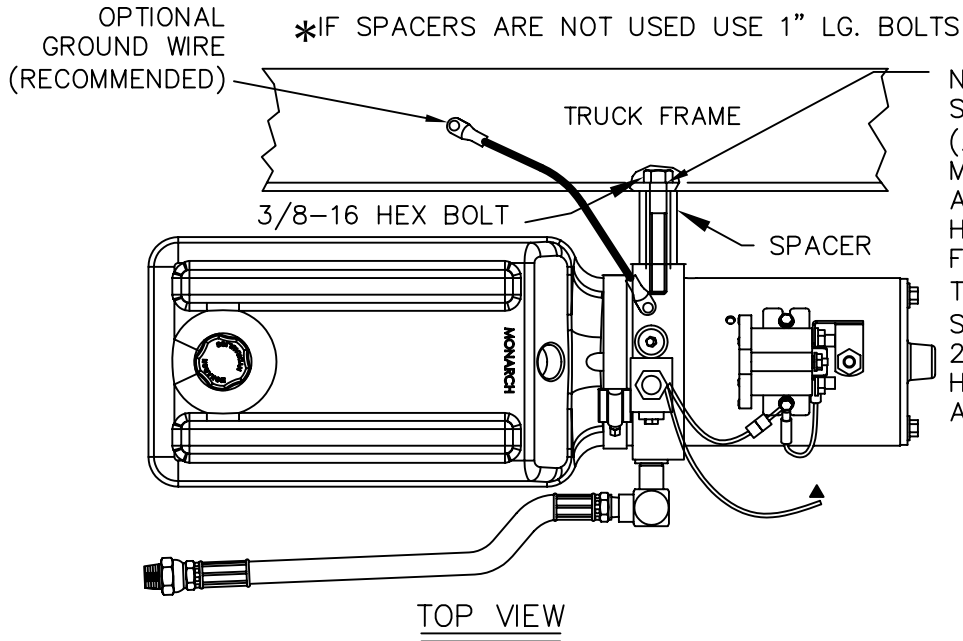


TITLE
40058M / 40058MHD POWER UNIT
VC416/516/520/620/628

DATE
12-2-04
SUPERSEDES
-

SECTION
H200
416810

40058M WITH MONARCH PUSH BUTTON CONTROL



NOTE: BE SURE POWER UNIT HAS GROUND TO TRUCK FRAME.
SEE DRAWING 416308 FOR PARTS



TITLE
40058M / 40058MHD POWER UNIT

VC416/516/520/620/628

DATE
12-2-04

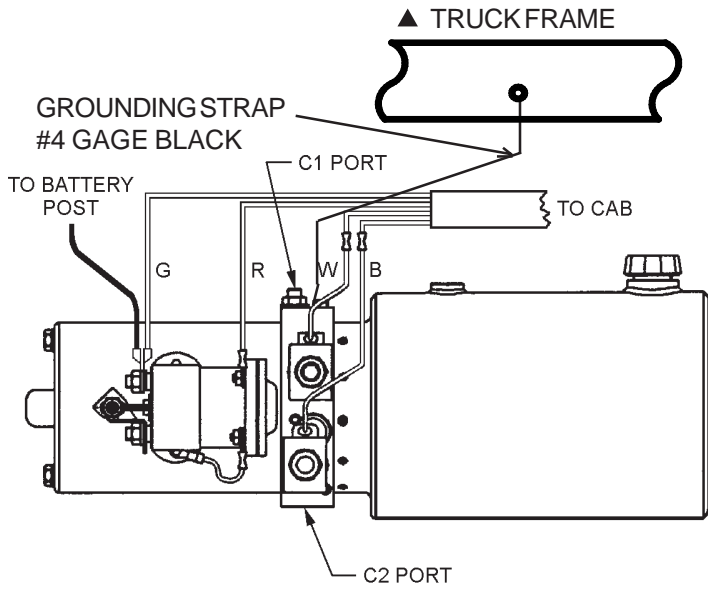
SUPERSEDES

-

SECTION
H200

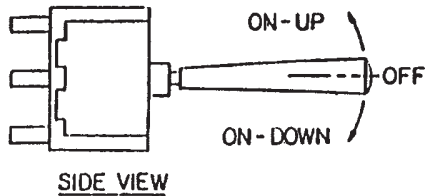
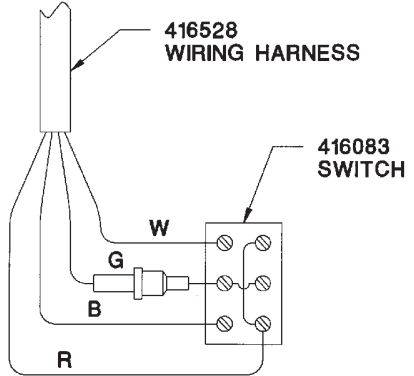
416809

416081M

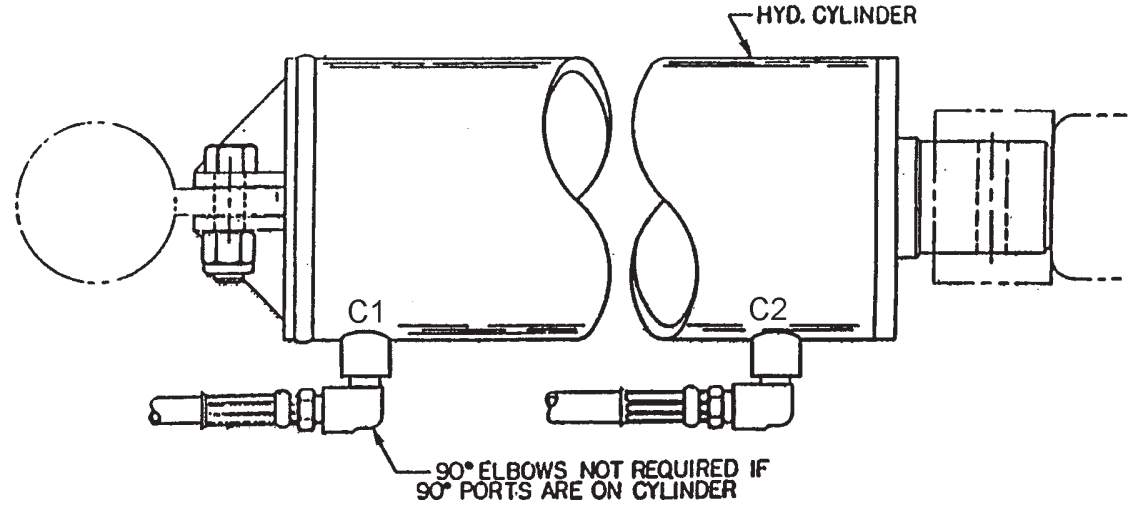


ELECTRICAL
W - WHITE WIRE
B - BLACK WIRE
G - GREEN WIRE
R - RED WIRE

HYDRAULICS
C1 - FULL END CYL
C2 - ROD END CYL



NOTE: ENERGIZING 'B' COIL SENDS FLOW TO 'C1' PORT
 ENERGIZING 'W' COIL SENDS FLOW TO 'C2' PORT

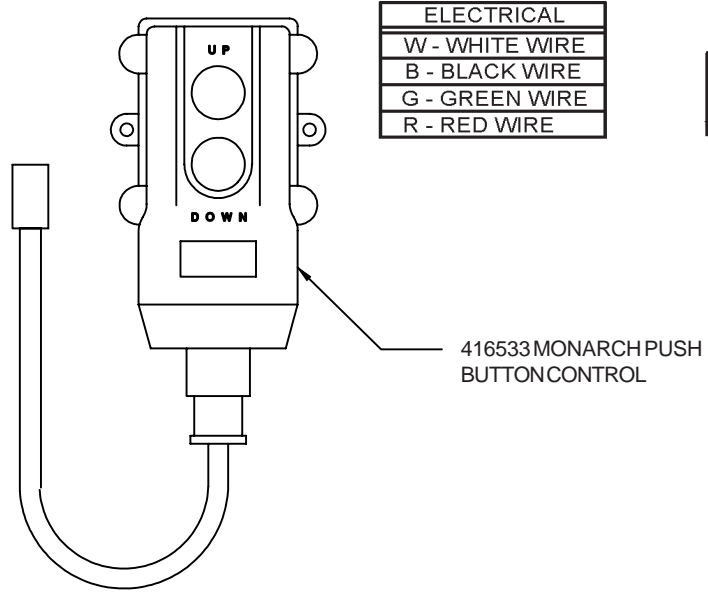
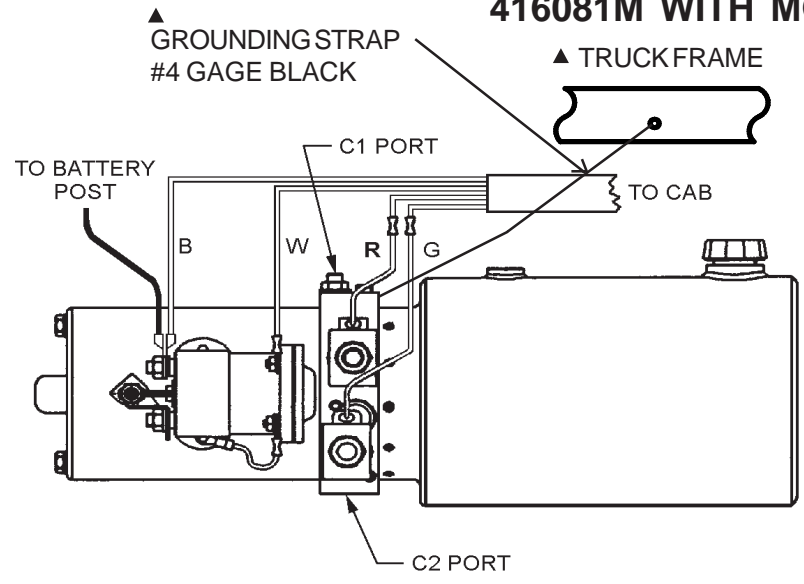


TITLE	416081 ED POWER UNIT
	VC416/516, VC520/620

DATE	12-1-04D
SUPERCEDES	2-15-99C

SECTION	-
	416306

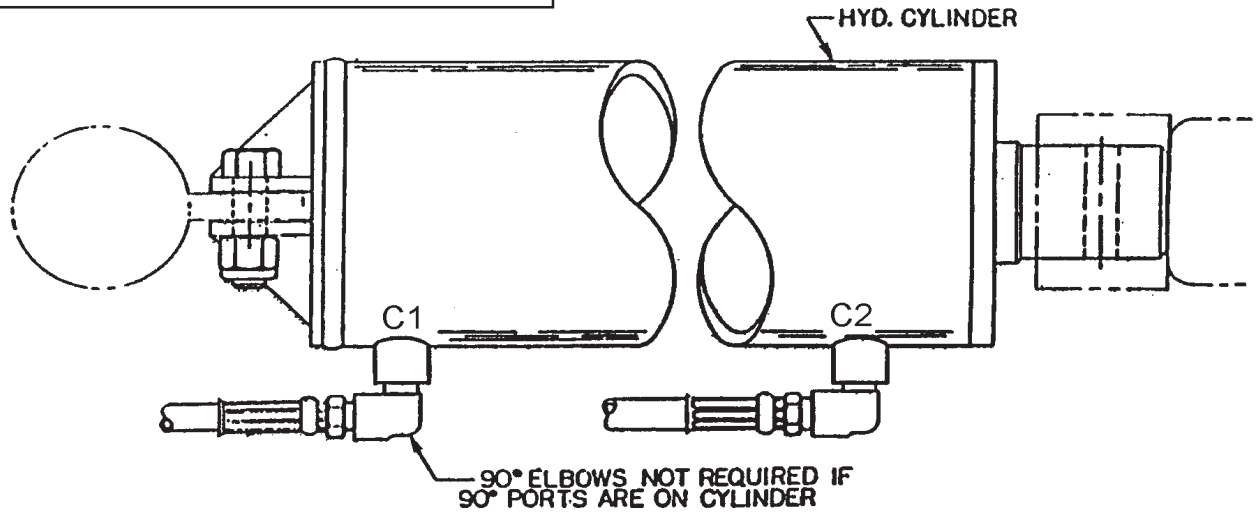
416081M WITH MONARCH PUSH BUTTON CONTROL



ELECTRICAL
W - WHITE WIRE
B - BLACK WIRE
G - GREEN WIRE
R - RED WIRE

HYDRAULICS
C1 - FULL END CYL
C2 - ROD END CYL

NOTE: ENERGIZING 'G' COIL SENDS FLOW TO 'C1' PORT (HOIST UP)
 ENERGIZING 'R' COIL SENDS FLOW TO 'C2' PORT (HOIST DOWN)



TITLE	416081M ED POWER UNIT
	VC416/516, VC520/620

DATE	12-1-04E
SUPERCEDES	9-21-99D

SECTION	-
	416307

Williams[®] Machine & Tool Co.

MANUFACTURERS OF HYDRAULIC PISTON PUMPS



CAUTION

The Gear Pump you have purchased is a single rotation Gear Pump. Installation of this Gear Pump into a system that does not match the rotation of the Gear Pump may result in Personal Injury and/or Property Damage.

The Gear Pump you have purchased is a single rotation Gear Pump. The direction of rotation can be found by using the Williams Machine and Tool Co.'s Model Number. Directly following the Model Number are the letters CCW or CW. These letters indicate the direction of rotation for the Gear Pump. CCW indicates a counter-clockwise rotation. CW indicates a clockwise rotation. Pump shaft rotation is determined by viewing pump from the shaft end.

Example: GP1538 CCW. The CCW indicates a counter-clockwise rotation.

To verify the direction of rotation of your Gear Pump, perform the following steps:

- 1.) Locate the Part Number on the Gear Pump. The Part Number, Serial Number, and date code are located on the rear of the Gear Pump.
- 2.) Part Numbers ending in an even number are clockwise rotation (CW). Part Numbers ending in an odd number are counter-clockwise rotation (CCW).

Example: 1830201. The last number is 1 (an odd number). This indicates a counter-clockwise rotation (CCW).

Date	GP	Serial #
Part Number		

The following chart specifies torque requirements for the SAE O' ring plugs installed into the side or rear ports of the Gear Pump. Any combination of inlet and outlet ports may be used, ie., inlet large rear port, outlet small side port; inlet large side and outlet small rear ports; or both side ports or both rear ports. One inlet and one outlet port must be plugged for proper Gear Pump operation.

PORT SIZE (SAE)	TORQUE (FT. LBS.)
3/4 - 16	15 - 20
7/8 - 14	20 - 25
1-1/16 - 12	30 - 35
1-5/16 - 12	45 - 50
1-5/8 - 12	65 - 70



MANUFACTURING, INC.

TITLE
WILLIAMS PTO WARNING

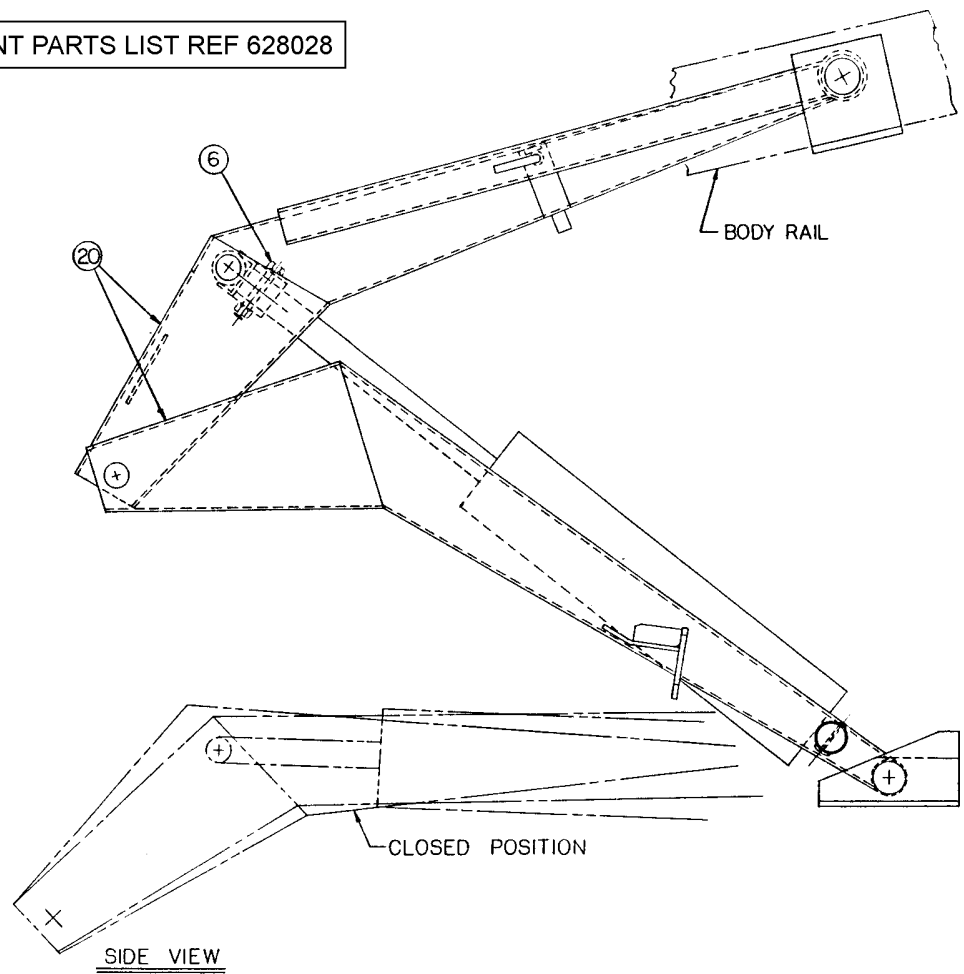
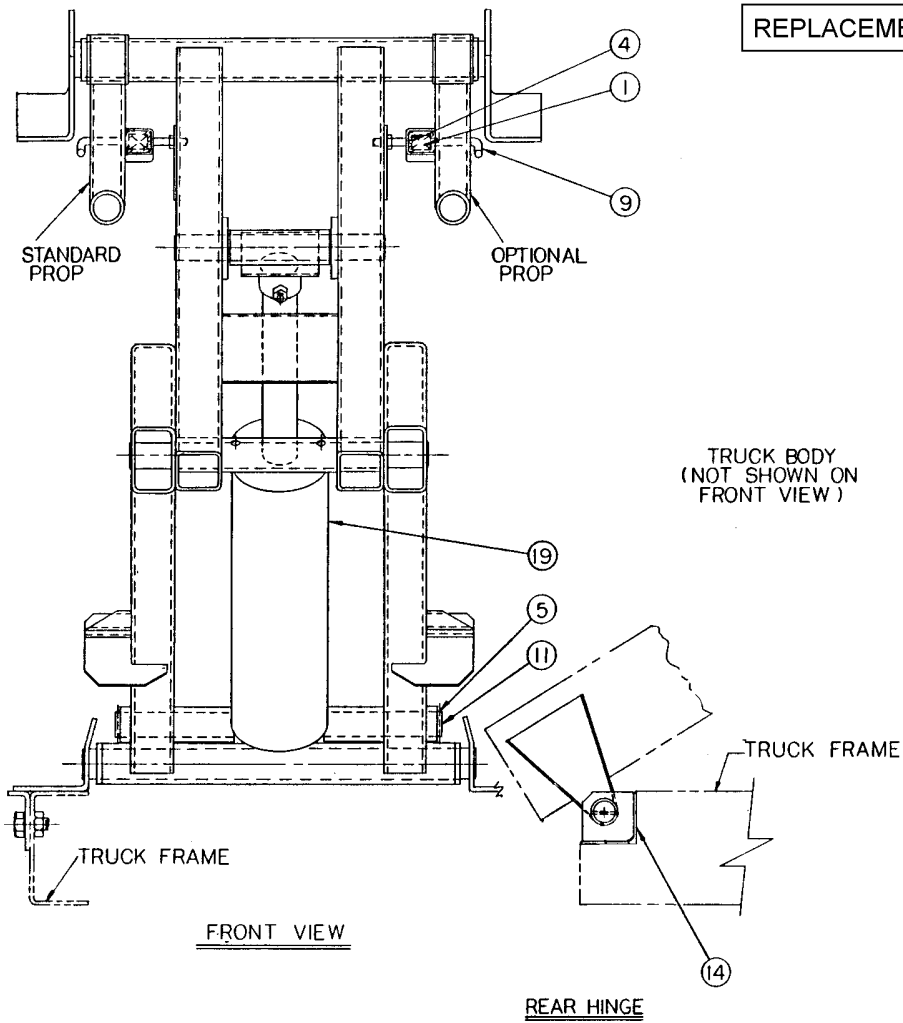
DATE
7-13-98

SECTION
H200

SUPERCEDES

416287

REPLACEMENT PARTS LIST REF 628028



TITLE	DATE	SECTION
REPLACEMENT PARTS	8-4-00C	H400
VC 628	SUPERCEDES 10-4-99B	628017

**VC 628 PD
REPLACEMENT PARTS LIST**

ITEM	QTY	PART NUMBER	DESCRIPTION
1	1	00170	SPRING - 11/16" O.D. x 1-3/4" LONG
*2	2	15254	CAUTION - STAND CLEAR DECAL
*3	2	16-00012	MOUNTING BRACKET - PUMP
4	1	20-00022	ROLL PIN - 5/32" DIA x 1" LONG
5	2	416010	COTTER PIN - 1/4" DIA x 3" LONG
6	1	416545	5/8 X 3-1/2 X CLEVIS PIN ASSEMBLY ▲
7	-	-	-
*8	2	416052	CAUTION - INSTRUCTIONS DECAL
9	1	416068-2	LOCKING PIN - PROP
*10	2	416084	SAFETY PROP DECAL
11	1	520014	LOWER PIVOT SHAFT - CYLINDER
12	-	-	-
13	-	-	-
14	1	662057-1	HINGE ASSEMBLY
15	-	-	-
*16	1	520065	HYDRAULIC HOSE - 3/8" x 5'
*17	1	620006	HYDRAULIC P.T.O. PUMP
*18	1	620008	INSTALLATION INSTRUCTIONS
19	1	628039	HYDRAULIC CYLINDER
20	1	628040	SCISSORS ASSEMBLY
*21	1	628041	HYDRAULIC HOSE - 3/8" x 7'-10"
22	-	-	-
23	-	-	-
24	-	-	-
25	-	-	-
26	-	-	-
27	-	-	-
28	-	-	-
29	-	-	-
30	-	-	-
31	-	-	-
32	-	-	-
33	-	-	-
34	-	-	-
35	-	-	-

*ITEM NOT SHOWN ON DRAWING

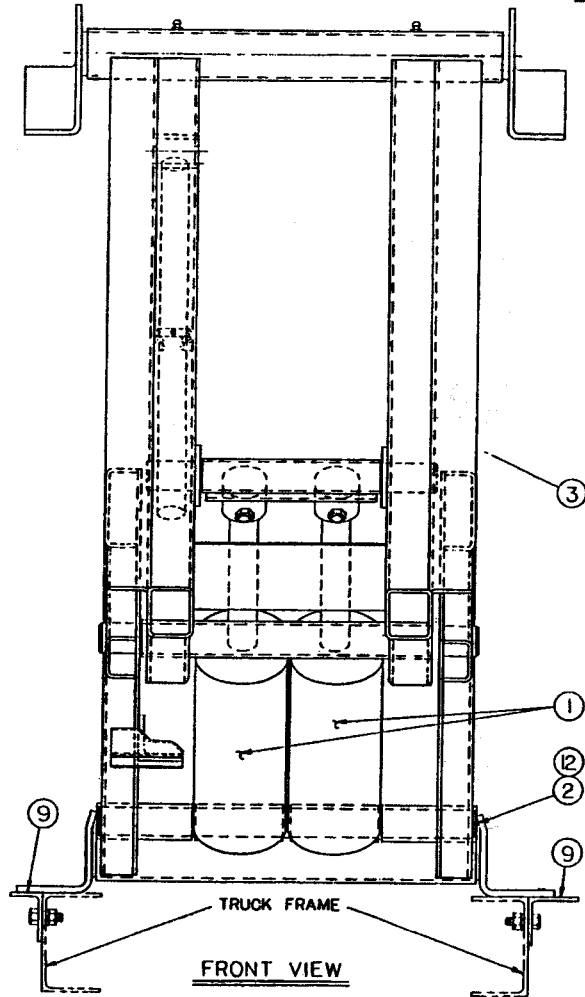
REPLACEMENT PARTS DWG REF 628017

NOTE: PIN FOR MULTI-PIECE HINGE IS 520028

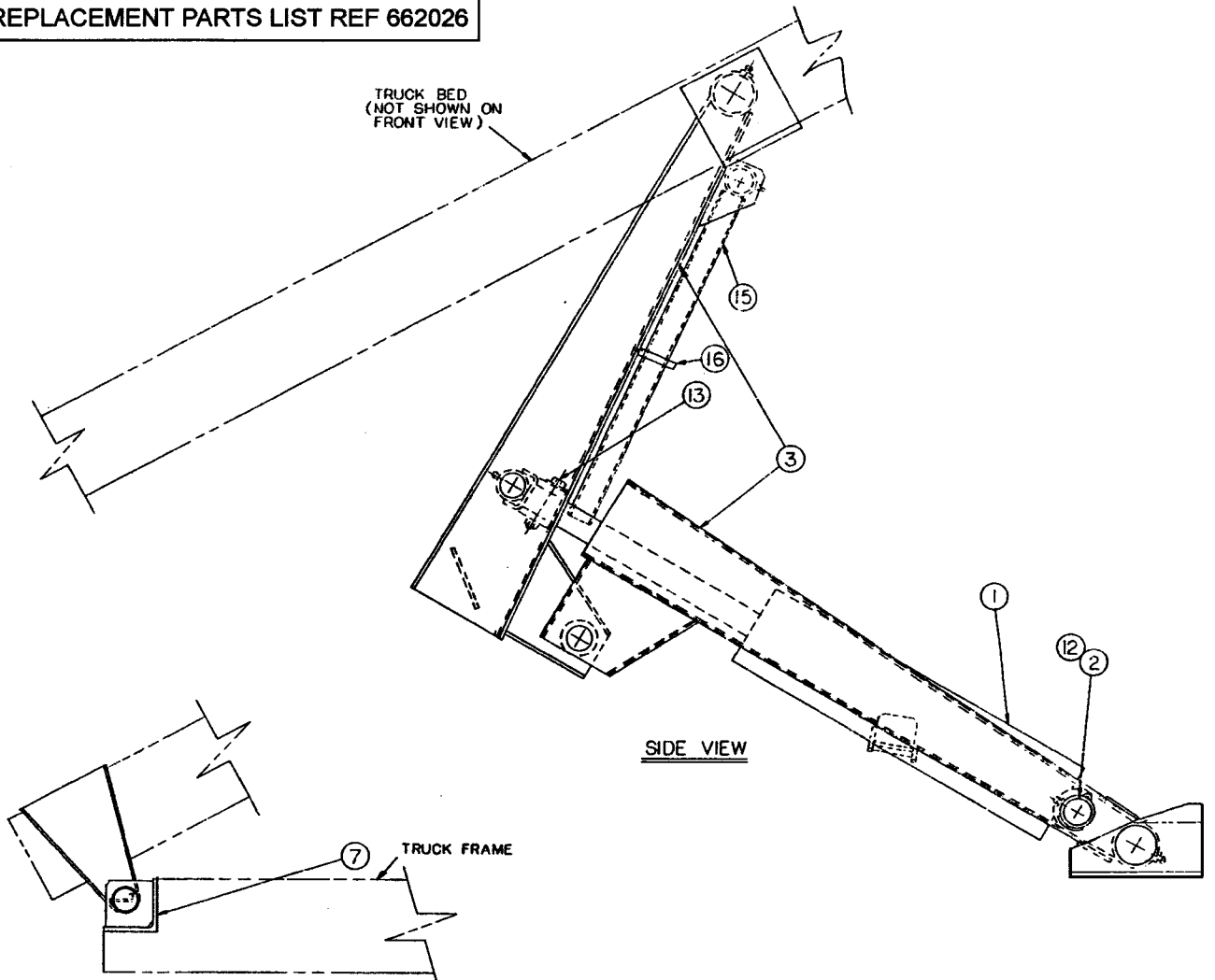


TITLE	DATE	SECTION
REPL. PARTS LIST	4-9-03D	H400
VC 628 PD	SUPERCEDES	628028
	8-4-00C	

REPLACEMENT PARTS LIST REF 662026



TRUCK BED
(NOT SHOWN ON
FRONT VIEW)



MANUFACTURING, INC.

TITLE
REPLACEMENT PARTS

VC 5520/6620

DATE
8-7-00A

SUPERCEDES
10-5-99

SECTION
H400

662079

**VC 5520 / VC 6620
REPLACEMENT PARTS LIST**

ITEM	QTY	VC 5520	VC 6620	DESCRIPTION
1	2	520004	620004	CYLINDER - 5" OR 6" BORE x 20" STROKE
2	1	662008	662008	LOWER CYLINDER PIVOT SHAFT
3	1	662024	662024	SCISSORS ASSEMBLY
* 4	1	620006	662025	PTO PUMP
5	-	-	-	-
6	-	-	-	-
7	1	662057-1	662057-1	REAR HINGE ASSEMBLY
8	-	-	-	-
9	2	520063	520063	MOUNTING ANGLE
* 10	2	520065	520065	HYDRAULIC HOSE - 3/8" x 5 FT.
* 11	2	520067	520067	HYDRAULIC HOSE - 3/8" x 7 FT.
12	2	416010	416010	COTTER PIN - 1/4" X 3"
13	2	▲ 416545	▲ 416545	▲ 5/8 X 3-1/2 CLEVIS PIN ASSEMBLY
14	-	-	-	-
15	1	662032	662032	BODY PROP
16	1	662046	662046	ADJUSTABLE CLIP
17		-		-
18		-		-
19		-		-
20		-		-
21		-		-
22		-		-
23		-		-
24		-		-
25		-		-
26		-		-
27		-		-
28		-		-
29		-		-
30		-		-
31		-		-
32		-		-
33		-		-
34		-		-
35		-		-

*ITEM NOT SHOWN ON DRAWING

NOTE: SHAFT FOR MULTI-PIECE HINGE IS 662072



MANUFACTURING, INC.
CINCINNATI, OHIO

TITLE
REPL. PARTS LIST

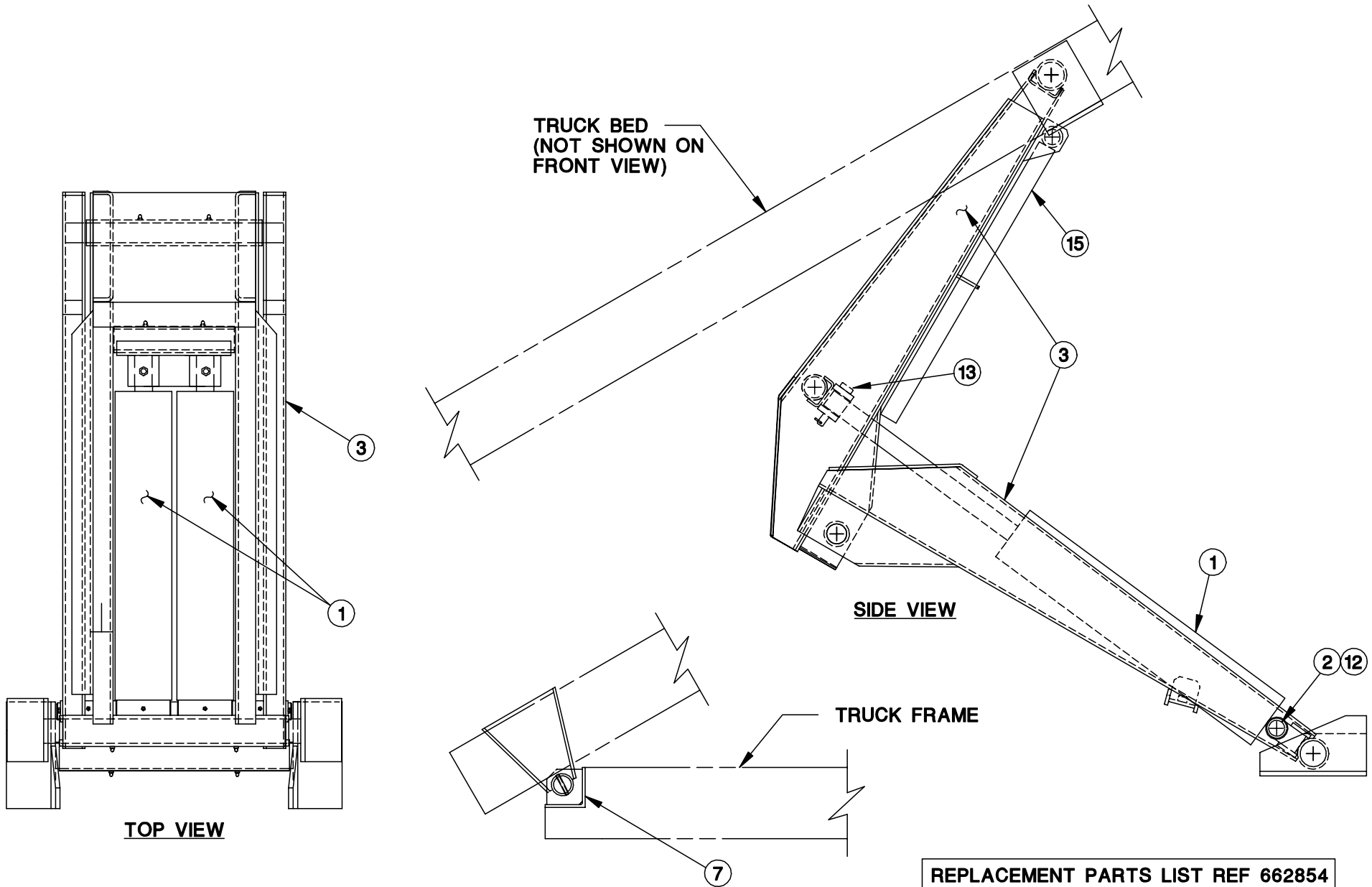
VC 5520 / 6620

DATE
4-9-03E

SUPERCEDES
3-14-03D

SECTION
H400

662026



TITLE
REPLACEMENT PARTS DWG

VC 6628 HOIST

DATE
8-7-00C

SUPERSEDES
10-4-99B

SECTION
H400

662853

VC 6628**REPLACEMENT PARTS LIST**

ITEM	QTY	PART NUMBER	DESCRIPTION
1	2	628039	CYLINDER - 6" BORE x 20" STROKE
2	1	662808	LOWER CYLINDER PIVOT SHAFT
3	1	662809	SCISSORS ASSEMBLY
*4	1	662830	PTO PUMP
5	-	-	-
6	-	-	-
7	1	662806	REAR HINGE ASSEMBLY
8	-	-	-
*9	2	662840	MOUNTING ANGLE
*10	2	520065	HYDRAULIC HOSE - 3/8" x 5'
*11	2	628041	HYDRAULIC HOSE - 3/8" x 7'-10"
12	2	416010	COTTER PIN - 1/4" x 3"
13	2	416545	5/8 X 3-1/2 CLEVIS PIN ASSEMBLY ▲
14	-	-	-
15	2	662836	BODY PROP
16		-	-
17		-	-
18		-	-
19		-	-
20		-	-
21		-	-
22		-	-
23		-	-
24		-	-
25		-	-
26		-	-
27		-	-
28		-	-
29		-	-
30		-	-
31		-	-
32		-	-
33		-	-
34		-	-
35		-	-

*ITEM NOT SHOWN ON DRAWING

REPLACEMENT PARTS DWG REF 662853

NOTE: PIN FOR MULTI-PIECE HINGE IS 662839

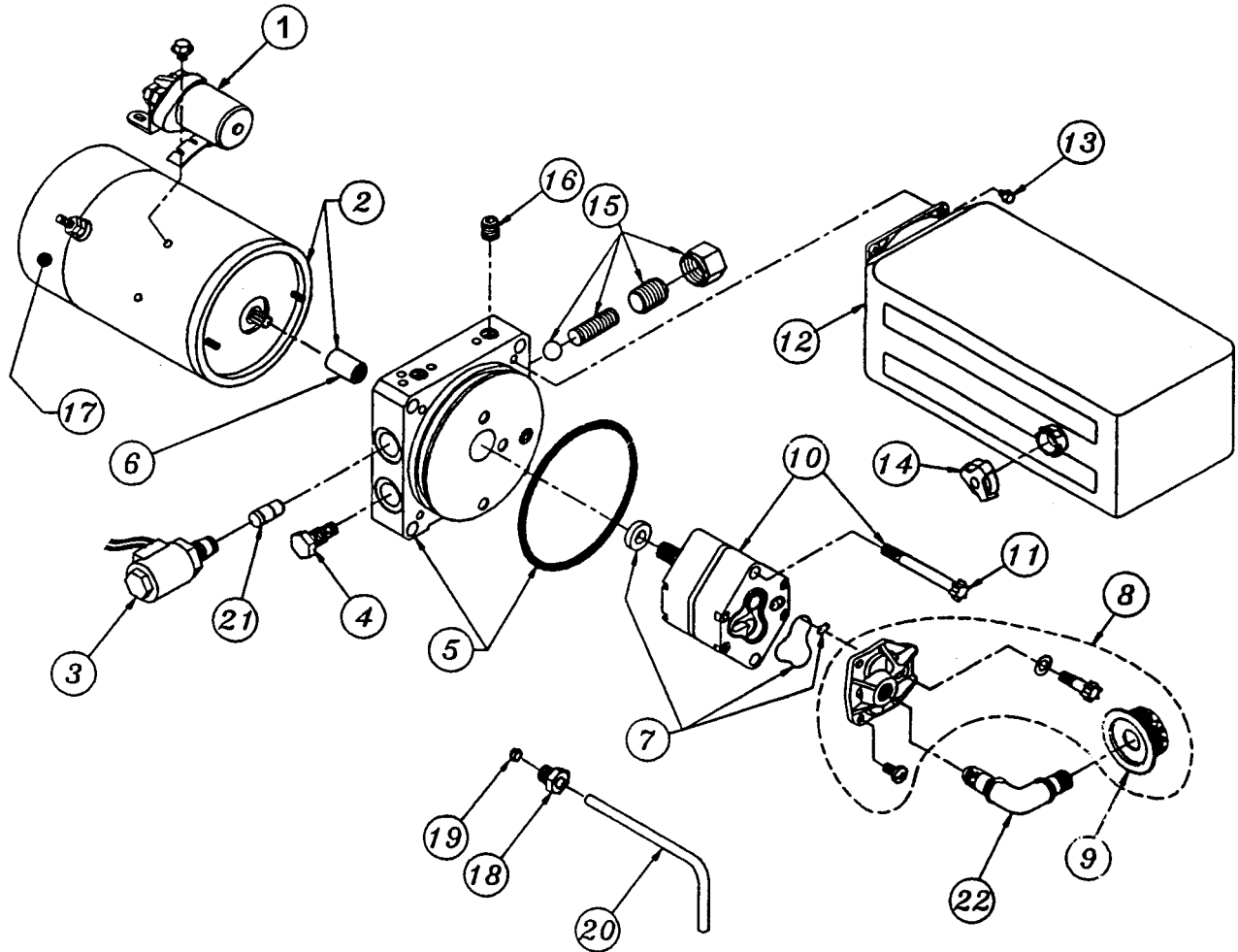
TITLE
REPL. PARTS LISTDATE
4-9-03DSECTION
H400

VC 6628

SUPERCEDES
8-7-00C

662854

40058-HD SINGLE-ACTING HYDRAULIC POWER UNIT SERVICE PARTS LIST



ITEM NO.	DESCRIPTION	FENNER P/N	QTY.
1	SOLENOID 12 VDC	2145-AA	1
2	MOTOR 12 VDC, EXT. DUTY	1789-AC	1
3	VALVE NC 12 VDC	EI-1019-04	1
4	VALVE CARTRIDGE CHECK	2507-AA	1
5	RESERVOIR O-RING	G1-1073-48	1
6	COUPLING	1118-AA	1
7	PUMP O-RING KIT	K-40	1
8	INLET PLUMBING KIT	KH	1
9	FILTER	1611-AA	1
10	PUMP ASSEMBLY	PS-2.0	1
11	PUMP MOUNTING BOLT	2825-AA	2

ITEM NO.	DESCRIPTION	FENNER P/N	QTY.
12	RESERVOIR	4454-AC	1
13	RESERVOIR SCREW	3346-AA	4
14	BREATHER	8060-CC	1
15	ADJ. RELIEF VALVE ASSY	RV-2	1
16	PLUG	1456-AA	1
17	MOTOR BRUSH KIT	K-90	1
18	COMPRESSION NUT	816-217	1
19	TUBE SLEEVE	816-218	1
20	RETURN TUBE	T2-1006-28	1
21	FLOW CONTROL	FC-2.5	1
22	INLET ELBOW ASSEMBLY	S7-4000-09	1



TITLE
SERVICE PARTS LIST

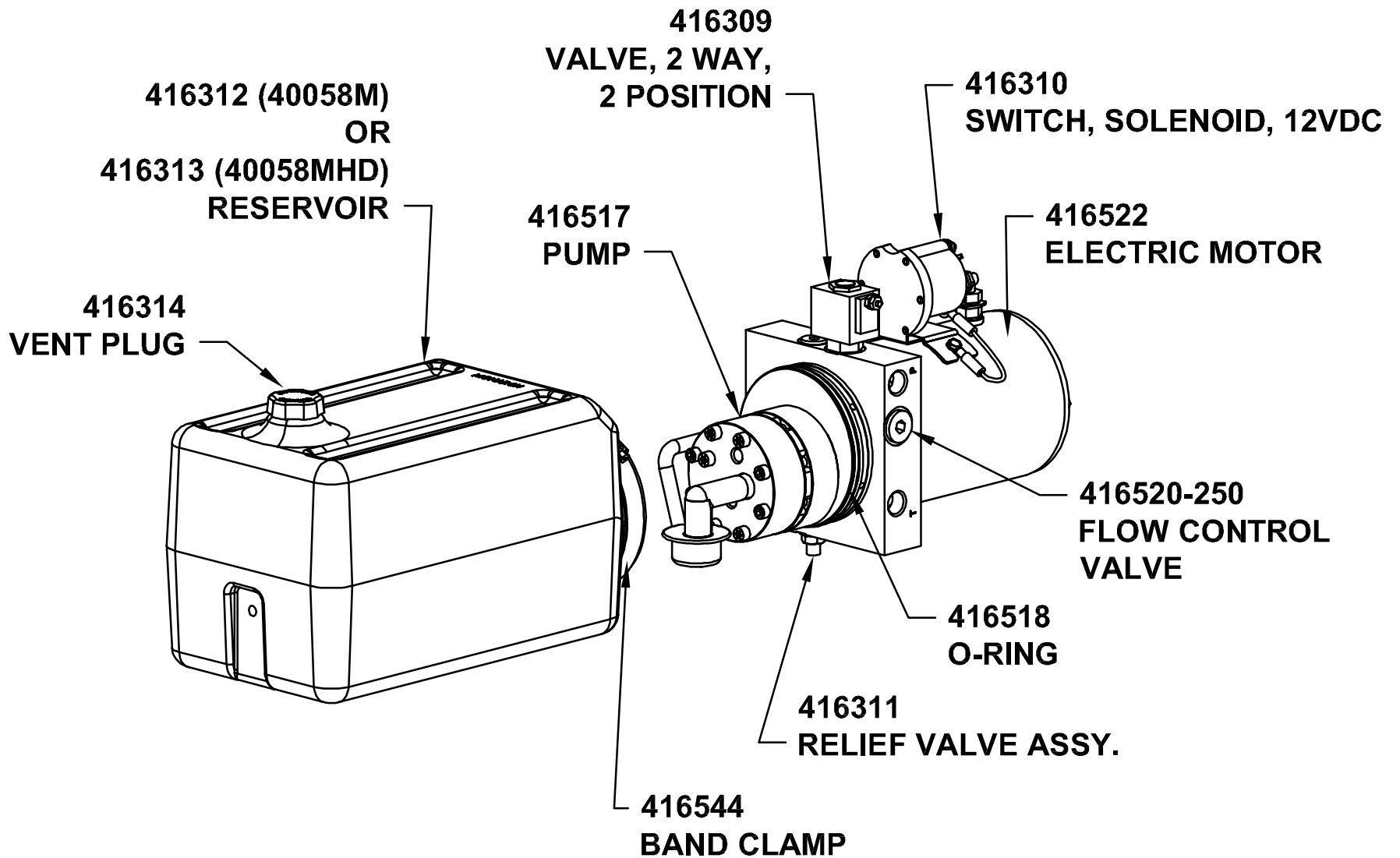
DATE
12-3-98

SECTION
H400

VC 620/628

SUPERCEDES
-

40058-HD



MANUFACTURING, INC.

TITLE

PARTS LIST & DRAWING

DATE

2-4-04

SECTION

-

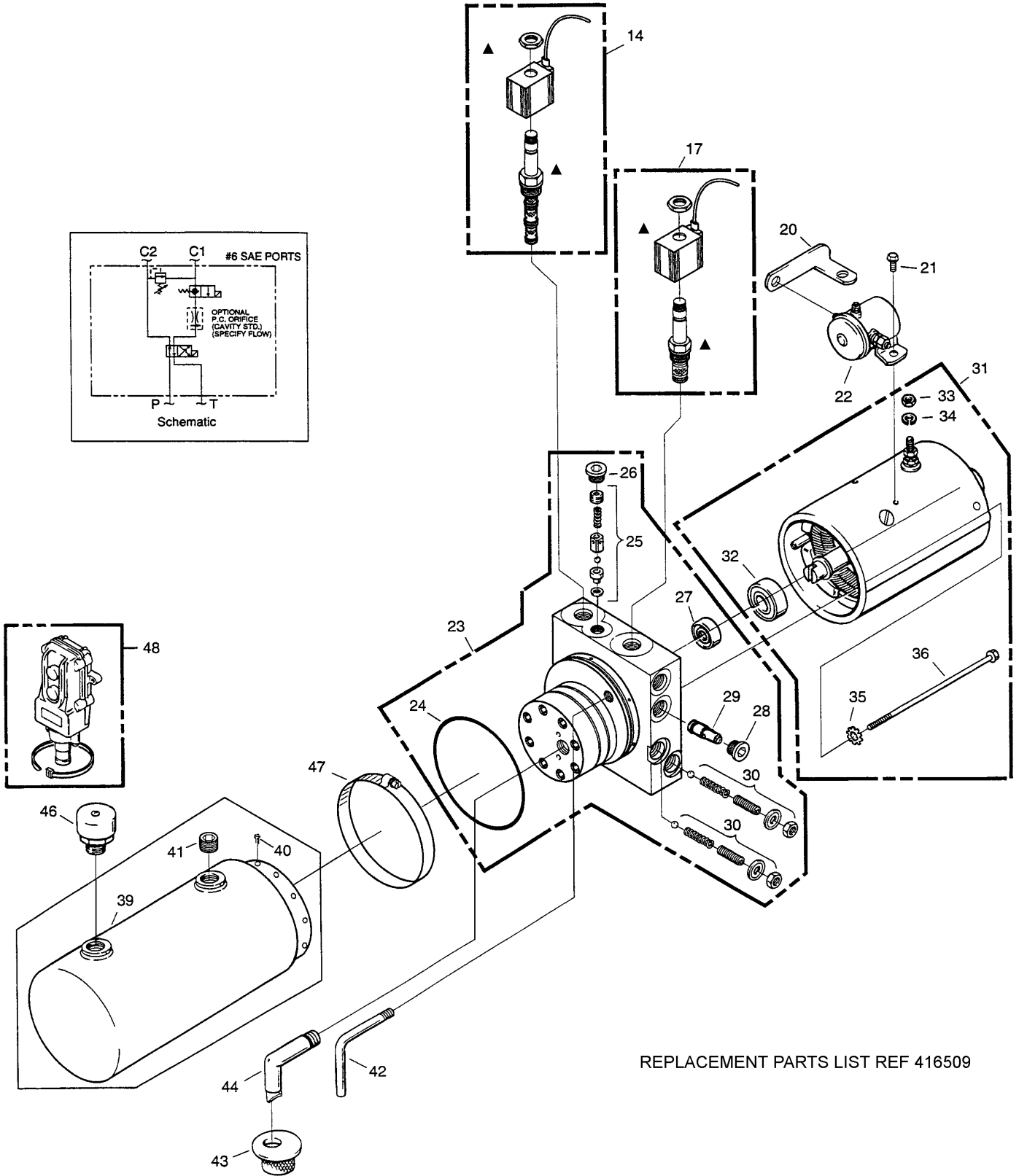
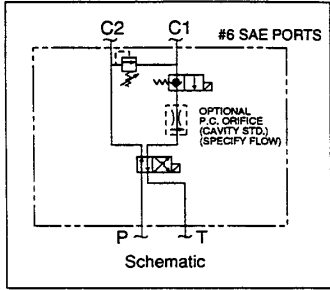
40058M & 40058MHD POWER UNITS

SUPERSEDES

-

416308

REPLACEMENT PARTS 416081M



REPLACEMENT PARTS LIST REF 416509



TITLE
REPL. PARTS DWG

416081M POWER UNIT

DATE
4-11-00B

SUPERCEDES
11-17-99A

SECTION

-

416508

ITEM #	PART #	DESCRIPTION	ITEM #	PART #	DESCRIPTION
1	-	-	41	-	PLUG - 3/8" NPTF
2	-	-	42	-	RETURN TUBE - 1/8"
3	-	-	43	-	FILTER SCREEN (SUCTION)
4	-	-	44	-	FILTER SUCTION TUBE - 3/8" NPTF 90 DEG.
5	-	-	45	-	-
6	-	-	46	416524	PLUG, VENT 3/8" NPT
7	-	-	47	416544	BAND CLAMP
8	-	-	48	416525	BOX ASSEMBLY, PUSHBUTTON (WEATHER PROOF) ▲
9	-	-	49	-	-
10	-	-	50	-	-
11	-	-	51	-	-
12	-	-	52	-	-
13	-	-	53	-	-
14	416510	VALVE, 4 WAY - 2 POSITION (12V)	54	-	-
15	-	-	55	-	-
16	-	-	56	-	-
17	416513	VALVE, 2 WAY - 2 POSITION, 12 VDC, GROUNDED	57	-	-
18	-	-	58	-	-
19	-	-	59	-	-
20	-	STRAP, MOTOR-SOLENOID CONNECTING	60	-	-
21	-	SCREW, ROUND HEAD MACHINE 10-32 x 1/4"	61	-	-
22	416310	SWITCH, SOLENOID, 12VDC, 3-POST GROUNDED	62	-	-
23	416517	PUMP ASSY, GEAR CODE 03 (#6 SAE PORTS)	63	-	-
24	416518	O-RING, INDUSTRIAL (3-5/8 x 3-7/8 x 1/8)	64	-	-
25	416519	PARTS KIT, VALVE ASSY, POPPET/BALL CHECK	65	-	-
26	-	PLUG	66	-	-
27	-	SEAL	67	-	-
28	-	PLUG, #8 SAE	68	-	-
29	416520	VALVE, PRESS COMP. ORIFICE (2.5 GPM)	69	-	-
30	416521	PARTS KIT, RELIEF VALVE	70	-	-
31	416522	MOTOR, ELECTRIC, 12 VDC	71	-	-
32	-	BEARING, BASE, MOTOR	72	-	-
33	-	HEX NUT - 5/16-24	73	-	-
34	-	LOCK WASHER - 5/16"	74	-	-
35	-	STAR WASHER - 1/4"	75	-	-
36	-	HEX HEAD CAP SCREW - 1/4-20 x 6-1/2"	76	-	-
37	-	-	77	-	-
38	-	-	78	-	-
39	416523	PLASTIC RESERVOIR - 6.5" X 5.5" X 10"	79	-	-
40	-	THREAD FORMING SCREW - 10-24 x 3/8"	80	-	-
					REPLACEMENT PARTS DWG REF 416508



TITLE	DATE	SECTION
REPLACEMENT PARTS LIST	10-12-04F	-
416081M POWER UNIT	SUPERCEDES 4-30-04E	416509

620125 CABLE & CONSOLE KIT - CURVED HANDLE

620124 CABLE & CONSOLE KIT - STRAIGHT HANDLE

!HHCS03118250
HHCS 5/16-18 X 2-1/2" LG

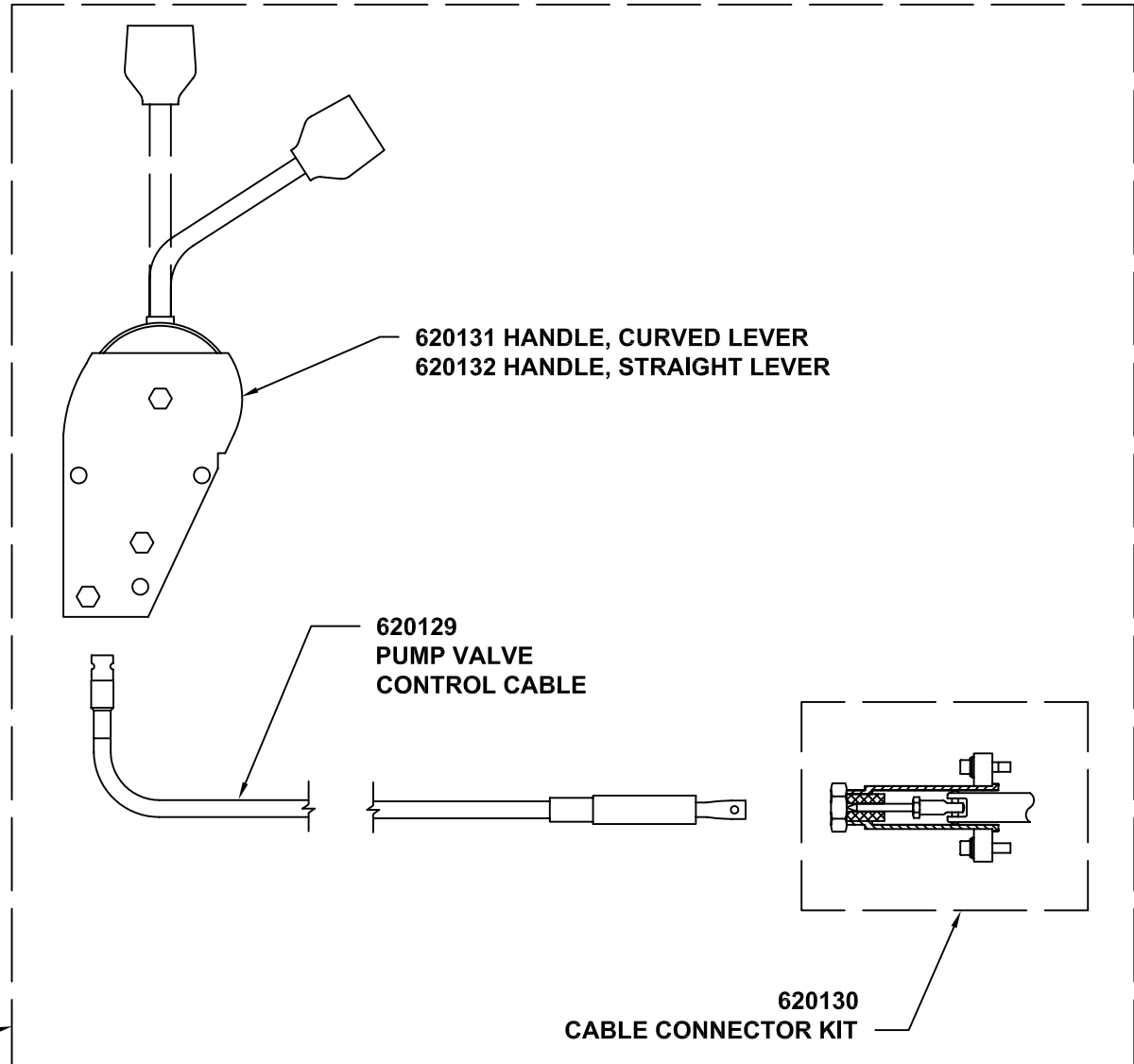
!LNUT-03118
NYLON LOCK NUT 5/16-18

CAUTION
 DOUBLE CHECK WIRE
 IDENTIFICATION
 BEFORE WIRING
 MUST BE
 OPERATED
 POWER UP
 AND POWER
 DOWN
 WHEN NOT IN
 OPERATION
 LEAVE
 CONTROL IN
 LOCK
 POSITION.

620128
DECAL - DIRECT
MOUNT PUMP

416751
PTO CONTROLLER BRACKET

620126 CURVED HANDLE CABLE ASSEMBLY
620127 STRAIGHT HANDLE CABLE ASSEMBLY



620130
CABLE CONNECTOR KIT



MANUFACTURING, INC.

TITLE

REPLACEMENT PARTS & DRAWING

PTO PUMP CABLE

DATE

9-16-04

SUPERSEDES

-

SECTION

-

620245



HOIST & LIFTGATES

LIMITED WARRANTY POLICY

This limited policy warrants new products of Venco to be free from defects in material and workmanship for a period of one (1) year from date of original installation. This warranty covers:

- ◆ ***Repair or replacement of product***
- ◆ ***Labor to repair or replace product***
- ◆ ***Freight to return and/or replace product***

We shall not be liable for any contingent liabilities arising out of the improper function of any products. Warranty shall become void if the product is improperly installed, modified, damaged, abused or used for application other than intended use.

WARRANTY CLAIMS

Venco Manufacturing, Inc. will make a good faith effort for prompt correction or other adjustment with respect to any product, which proves to be defective after our inspection and within the warranty period. Before any repairs are attempted or before returning any product, your Venco Distributor is required to obtain a warranty claim number. This number is necessary for any claim to be considered. To obtain a warranty claim number, Venco requires the model and serial number. Only authorized Venco Distributors can perform warranty. For the name and address of your local Venco Distributor call the **Warranty Claim Department – 513-772-8448.**

WARNING – It is the responsibility of the installer to insure the installation is completed according to the manufacturer's recommendations, insure the ultimate user understands how to operate product in a safe manner and understands the need for regular service and maintenance by an authorized Venco Distributor. No modifications or alterations may be made to any Venco products without the expressed written consent of the manufacturer. Reinstallation of any Venco product must be done by an authorized Venco Distributor, to the standards of the industry including maintenance, service and affixing of all instruction, safety and warning decals. Users should again be instructed as to the safe operation at time of delivery. Maintenance, service, operation and safety warning decals are available on request from Venco Manufacturing, Inc.

VENCO MANUFACTURING, INC
DIVISION OF COLLINS ASSOCIATES, INC
12110 BEST PLACE • CINCINNATI, OHIO 45241
513.772.8448
www.venturo.com