

VENTURO

OWNER'S MANUAL

PARTS & INSTALLATION MANUAL

CE6K

Included in this manual:

CE6K

- 2,000 lb Electric Service Crane
- Manual Elevation & Rotation with Band Brake
- 3-5 ft Manual Boom Extension, or
 - 4-7 ft Manual Boom Extension

VENCO VENTURO INDUSTRIES LLC
12110 BEST PLACE | CINCINNATI, OHIO 45241
800-226-2238



This manual also available online at www.venturo.com.

7607100A	DESCRIPTION & SPECIFICATIONS
24111	DIMENSIONS & CAPACITIES, CE6K, 3-5 FT BOOM
24112	DIMENSIONS & CAPACITIES, CE6K, 4-7 FT BOOM
19767	INSTALLATION DIMENSIONS, BASE MOUNTING
24113	WIRE ROPE & HOOK SPECIFICATIONS
7607150A	SAFETY
CE-044	CRANE SAFETY & HAZARDS
21353	DECAL DRAWING & LIST, 1 OF 2
21384	DECAL DRAWING & LIST, 2 OF 2
24114	DECAL DRAWING & LIST, 3 OF 3
24119	OPERATION & MAINTENANCE INSTRUCTIONS
7607200A	INSTALLATION
19774	PIN POSITIONS FOR BOOM ANGLES
711105	CABLE & BATTERY REQUIREMENTS, ELECTRIC CRANES
15660	BATTERY CABLE & COMPONENT INSTALLATION
24115	WIRING DIAGRAM
24116	WIRE ROPE INSTALLATION
7607400A	REPLACEMENT PARTS
24117	REPLACEMENT PARTS DRAWING
24118	REPLACEMENT PARTS LIST
19773	DECAL PLACEMENT
28060	FIELD SERVICE LABEL KIT
25431	USER NOTES
25431	USER NOTES
12-00073_VNT1	WARRANTY PAGE

SECTION 100

DESCRIPTION

&

SPECIFICATIONS



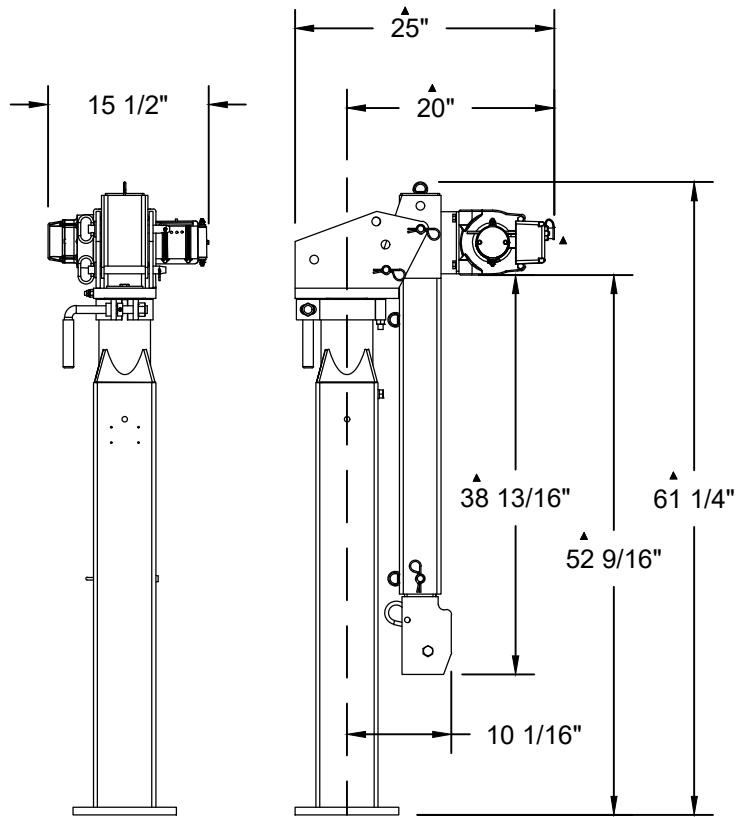
VENCO VENTURO INDUSTRIES LLC
CINCINNATI, OHIO



WARNING

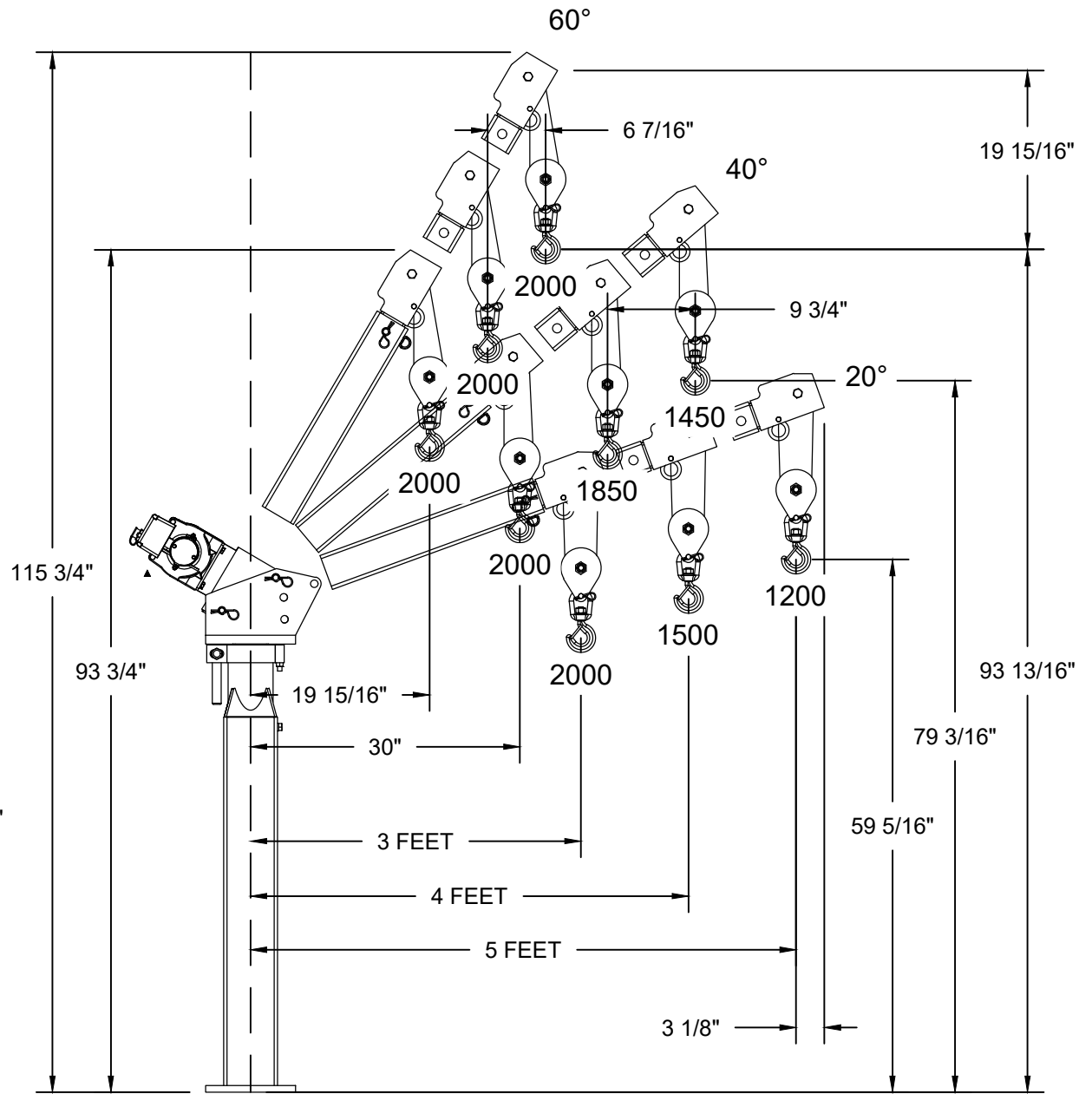
- THESE PRODUCTS ARE NOT PASSENGER LIFTS. THEY ARE NOT DESIGNED OR INTENDED TO BE USED TO LIFT, SUPPORT OR OTHERWISE TRANSPORT PERSONNEL.

USE TWO-PART LINE
WITH LOAD BLOCK FOR
LOADS OVER 1000 LBS



REAR VIEW

STOWED VIEW
RIGHT SIDE



ELEVATED VIEW
RIGHT SIDE



VENCO VENTURO INDUSTRIES LLC
CINCINNATI, OHIO

TITLE
DIMENSIONS & CAPACITIES

CE6K 3'-5' BOOM

DATE
02-02-26A

SUPERSEDES
04-12-19

SECTION
C100

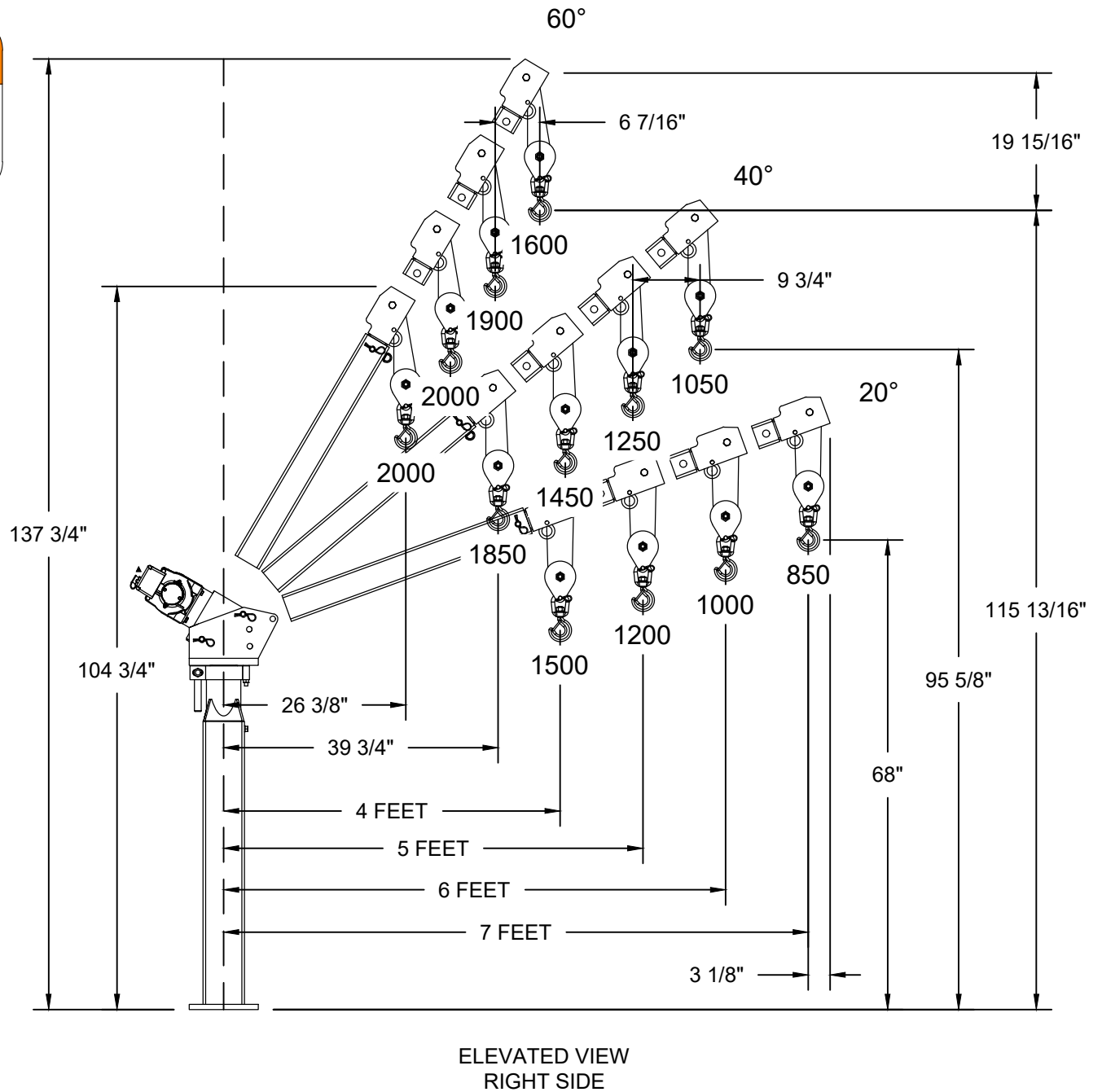
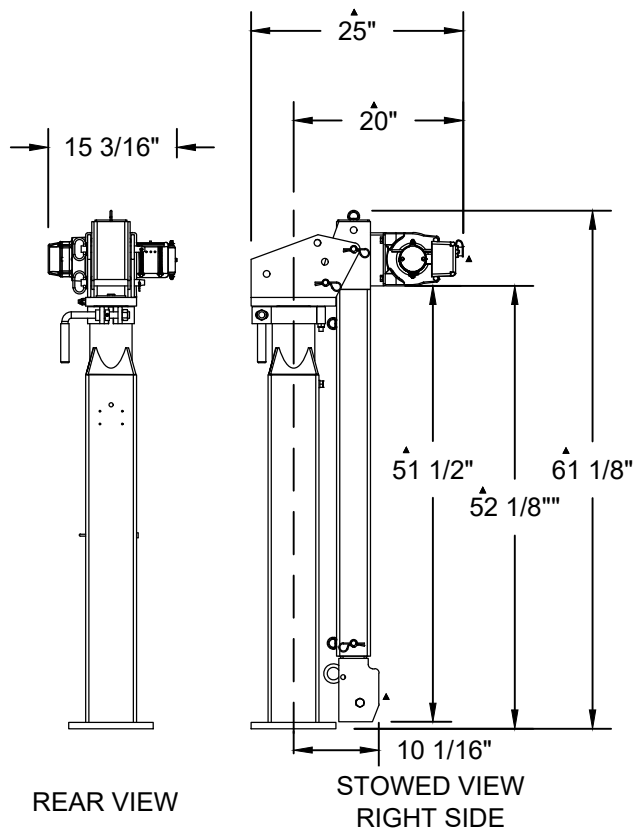
24111



WARNING

- THESE PRODUCTS ARE NOT PASSENGER LIFTS. THEY ARE NOT DESIGNED OR INTENDED TO BE USED TO LIFT, SUPPORT OR OTHERWISE TRANSPORT PERSONNEL.

USE TWO-PART LINE
WITH LOAD BLOCK FOR
LOADS OVER 1000 LBS



VENCO VENTURO INDUSTRIES LLC
CINCINNATI, OHIO

TITLE
DIMENSIONS & CAPACITIES

CE6K 4'-7' BOOM

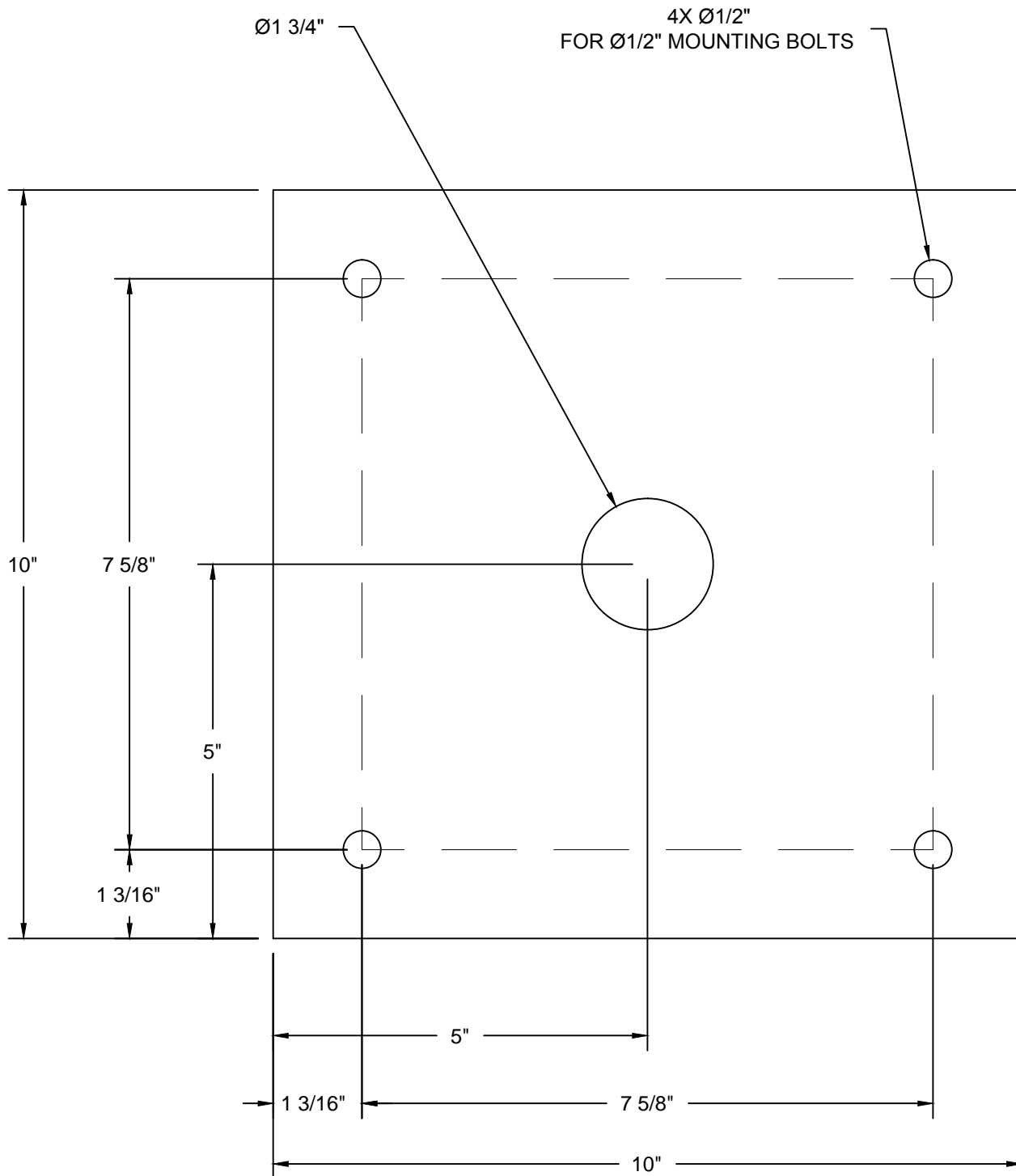
DATE
02-02-26A

SUPERSEDES
04-12-19

SECTION
C100

24112

BASE MOUNTING TEMPLATE



VENCO VENTURO INDUSTRIES LLC
CINCINNATI, OHIO

TITLE
BASE MOUNTING

CE6K

DATE
04-12-19B

SUPERSEDES
07-22-99A

SECTION
C100

19767

WIRE ROPE & HOOK SPECIFICATIONS

APPLICATION

24130: WINCH; COMEUP GTD-1200, 1200 LBS MAX

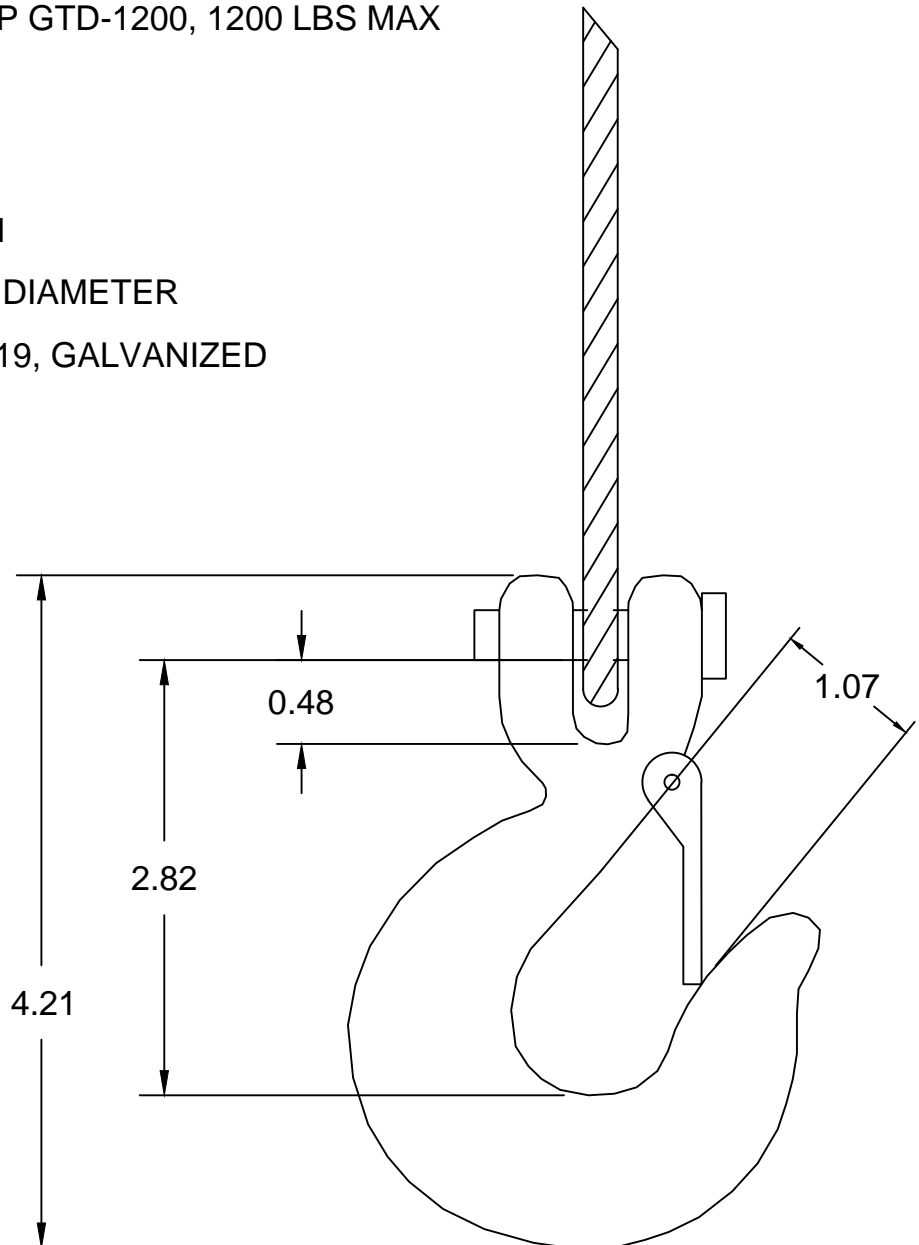
WIRE ROPE:

PART NUMBER 24131

TYPE 3/16" DIAMETER

A7 x 19, GALVANIZED

LENGTH 60'



CLEVIS HOOK:

PART NUMBER CE-159



VENCO VENTURO INDUSTRIES LLC
CINCINNATI, OHIO

TITLE

WIRE ROPE & HOOK SPECS

DATE

04-12-19

SECTION

C100

CE6K

SUPERSEDES

-

24113

SECTION 150

SAFETY



VENCO VENTURO INDUSTRIES LLC
CINCINNATI, OHIO

CAUTIONS

1. INSPECT VEHICLE AND CRANE, INCLUDING OPERATION, PRIOR TO USE DAILY.
2. DO NOT USE THIS EQUIPMENT EXCEPT ON SOLID, LEVEL SURFACE WITH CRANE MOUNTED ON FACTORY RECOMMENDED TRUCK.
3. BEFORE OPERATING THE CRANE, REFER TO MAXIMUM LOAD (CAPACITY) CHART ON CRANE FOR OPERATING (LOAD) LIMITATIONS.
4. DO NOT OPERATE, WALK, OR STAND BENEATH BOOM OR A SUSPENDED LOAD.
5. UNPLUG PENDANT (AND OPTIONAL ELECTRIC QUICK DISCONNECT, IF ON MODEL) WHEN NOT IN USE.
6. FOR TRAVEL, BOOM MUST BE TIED DOWN IN THE STOWED POSITION.

DANGER

- THIS CRANE IS NOT A PASSENGER LIFT
- IT IS NOT DESIGNED OR INTENDED TO BE USED TO LIFT, SUPPORT, OR OTHERWISE TRANSPORT PERSONNEL.

YOU MUST NOT OPERATE THIS CRANE UNLESS :

1. YOU HAVE BEEN TRAINED IN THE SAFE OPERATION OF THIS CRANE, **AND**
2. YOU KNOW AND FOLLOW THE SAFETY AND OPERATION RECOMMENDATIONS CONTAINED IN THE MANUFACTURER'S MANUALS, YOUR EMPLOYER'S WORK RULES, AND APPLICABLE GOVERNMENT REGULATIONS. AN UNTRAINED OPERATOR SUBJECTS THEMSELVES AND OTHERS TO DEATH OR SERIOUS INJURY.

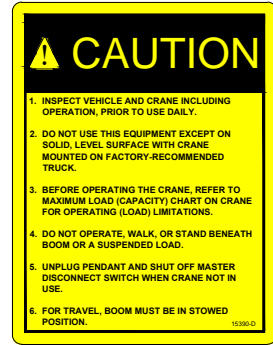
REFERENCE SAFETY MANUAL INST-23233



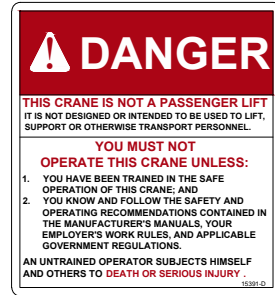
VENCO VENTURO INDUSTRIES LLC
CINCINNATI, OHIO

TITLE	DATE	SECTION
CRANE SAFETY & HZRDS	02-20-17E	C200
▲ CE-/CEV/ESV SERIES CRANES	SUPERSEDES 09-08-16D	CE-044

DECAL #: 15390
 DESCRIPTION: CAUTION, INSPECT VEHICLE & CRANE...
 PURPOSE: TO INFORM THE OPERATOR OF KEY OPERATING REQUIREMENTS.
 QUANTITY: 1
 PLACEMENT: REAR COVER OR SIDE OF CRANE



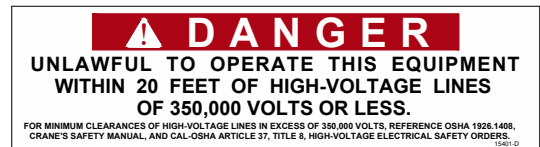
DECAL #: 15391
 DESCRIPTION: DANGER, NOT A PASSENGER LIFT
 PURPOSE: TO INFORM OPERATOR NOT TO LIFT, SUPPORT, OR TRANSPORT PERSONNEL, AND TO ENSURE OPERATOR IS ADEQUATELY TRAINED.
 QUANTITY: 1
 PLACEMENT: REAR COVER OR SIDE OF CRANE



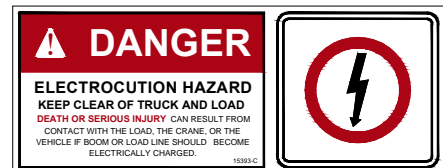
DECAL #: 15392
 DESCRIPTION: DANGER, ELECTROCUTION HAZARD, MACHINE (CRANE)
 PURPOSE: TO INFORM OPERATOR THAT MACHINE (CRANE) REPRESENTS AN ELECTROCUTION HAZARD SHOULD IT COME CLOSE TO OR IN CONTACT WITH AN ELECTRICAL VOLTAGE SOURCE.
 QUANTITY: 1
 PLACEMENT: REAR COVER OR SIDE OF CRANE



DECAL #: 15401
 DESCRIPTION: DANGER, UNLAWFUL TO OPERATE
 PURPOSE: TO INFORM OPERATOR OF PROPER OPERATION IN VICINITY OF ELECTRICAL LINES.
 QUANTITY: 1
 PLACEMENT: RING COVER OR SIDE OF CRANE



DECAL #: 15393
 DESCRIPTION: DANGER, ELECTROCUTION HAZARD, VEHICLE (TRUCK)
 PURPOSE: WARNS OF DANGER FROM ELECTRICALLY CHARGED VEHICLE, CRANE, OR LOAD.
 QUANTITY: 4
 PLACEMENT: EACH SIDE & EACH END OF VEHICLE



VENCO VENTURO INDUSTRIES LLC
 CINCINNATI, OHIO

TITLE
 SAFETY DECALS

VENTURO CRANES

DATE
 04-29-16E

SUPERSEDES
 10-24-13D

SECTION
 C150

21353

PART NO.: 15513

DECAL: MASTER DISCONNECT SWITCH

FUNCTION: To inform the operator of location and operation of master disconnect switch.

QUANTITY: 1

PLACEMENT: On master disconnect switch bracket.



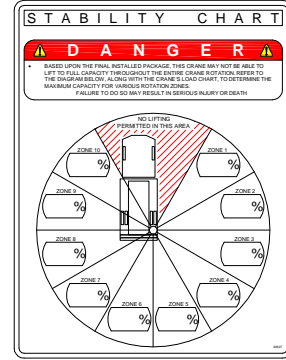
PART NO.: 20927

DECAL: CRANE STABILITY

FUNCTION: To inform the operator of the crane's lifting capacity throughout the entire rotation.

QUANTITY: 1

PLACEMENT: In prominent location, so it is easily seen and readily identifiable.



▲



VENCO VENTURO INDUSTRIES LLC
CINCINNATI, OHIO

TITLE	DATE	SECTION
SAFETY DECALS	06-06-14C	C150
CRANES	SUPERSEDES 04-02-13B	21384

PART NUMBER 19748
 DESCRIPTION MODEL DECAL
 FUNCTION TO SHOW THE MODEL OF THE CRANE
 QUANTITY 2
 PLACEMENT ONE ON EACH SIDE OF THE BOOM



PART NUMBER 17389-4
 DESCRIPTION VENTURO LOGO DECAL
 FUNCTION TO SHOW THE MANUFACTURER OF THE CRANE
 QUANTITY 2
 PLACEMENT ONE ON EACH SIDE OF THE BOOM



PART NUMBER 13191-10
 DESCRIPTION USE LOAD BLOCK DECAL
 FUNCTION TO SHOW REQUIREMENT OF LOAD BLOCK OVER 1000 LBS
 QUANTITY 2
 PLACEMENT ONE ON EACH SIDE OF THE BOOM



PART NUMBER 19625
 DESCRIPTION BOOM ANGLE DECAL
 FUNCTION TO SHOW THE OPERATOR THE BOOM ANGLE PIN POSITION
 QUANTITY 2
 PLACEMENT ONE ON EACH SIDE OF THE CRANE HOUSING



PART NUMBER 11917-4
 DESCRIPTION 12V NEGATIVE GROUND DECAL
 FUNCTION TO SHOW THE OPERATOR THE CRANE NEGATIVE GROUND
 QUANTITY 1
 PLACEMENT NEXT TO GROUND BOLT ON THE CRANE HOUSING



PART NUMBER 19689-1
 DESCRIPTION BOOM CAPACITY DECAL
 FUNCTION TO SHOW THE OPERATOR THE CORRECT CAPACITIES AT BOOM ANGLE
 QUANTITY 2
 PLACEMENT ONE ON EACH SIDE OF THE CRANE MAST

CAPACITIES (DC)				
BOOM LENGTH	BOOM ANGLE			
	20°	40°	60°	
3 - 5 FT &	3	2000	2000	2000
	4	1500	1850	2000
	5	1200	1450	2000
4 - 7 FT	6	1000	1250	1900
	7	850	1050	1600

PART NUMBER 15398
 DESCRIPTION UNPLUG PENDANT DECAL
 FUNCTION TO INFORM THE OPERATOR UNPLUG PENDANT OPERATING PROCEDURE
 QUANTITY 1
 PLACEMENT NEAR THE CRANE PENDANT SOCKET



VENCO VENTURO INDUSTRIES LLC
 CINCINNATI, OHIO

TITLE
 DECALS DRAWING & LIST

DATE
 02-02-26A

SECTION
 C150

CE6K

SUPERSEDES
 04-12-19

24114

OPERATING INSTRUCTIONS

CE6K SERIES CRANES

ELECTRIC WINCH

THE WINCH IS OPERATED BY A CONTROL SWITCH IN A PLUG-IN REMOTE PENDANT. UNPLUG THE PENDANT AND STORE IT IN THE VEHICLE WHEN THE CRANE IS NOT IN USE.

TELESCOPING BOOM

ON CE CRANES THE BOOM CAN BE MANUALLY EXTENDED. THE HOLE IN THE SECONDARY ARM ASSEMBLY SHOULD BE ALIGNED WITH THE HOLE IN THE PRIMARY ARM. INSERT PIN ASSEMBLY. INSERT HAIRPIN COTTER IN THE END OF THE PIN ASSEMBLY.

LOAD BLOCK

ON THE CE6K MODEL CRANES THE LOAD BLOCK MUST BE USED FOR ALL LOADS OVER 1000 LBS.

BAND BRAKE

THE CE6K IS EQUIPPED WITH A BAND BRAKE THAT PROVIDES UNLIMITED ROTATIONAL POSITIONING.

ROTATION LOCK

BEFORE PULLING LOAD MAKE SURE THE BRAKE HANDLE IS TIGHTENED TO KEEP BOOM FROM ROTATING (DO NOT PULL ITEMS AT AN ANGLE. THE BOOM MUST BE PERPENDICULAR TO THE LOAD.)

BOOM TIE DOWN

THE WINCH LINE SHOULD BE USED TO TIE DOWN THE BOOM TO THE MAST OR TRUCK BED WHILE THE CRANE IS NOT IN USE

MASTER DISCONNECT SWITCH

SWITCH TO DISCONNECT POWER TO CRANE WHEN NOT IN USE.

MAINTENANCE

WINCH

THE WINCH IS PERMANENTLY LUBRICATED. THERE MAY BE GREASE LEAKAGE OUT OF THE WINCH, ESPECIALLY DURING THE FIRST FEW OPERATIONS. THIS IS NORMAL AND IT IS NOT NECESSARY TO GREASE OR OIL ANY PART OF THE WINCH AT ANY TIME.

CABLE

INSPECT WINCH CABLE PERIODICALLY. IF ANY WEAR OR FRAYING EXISTS, REPLACE CABLE AT ONCE (SEE DRAWINGS 24117 & 24118).

CRANE SOCKET

THE CRANE SHOULD BE REMOVED FROM THE SWIVEL SOCKET ONCE A YEAR OR MORE OFTEN IF EXCESSIVE DEBRIS IS PRESENT. DEBRIS SHOULD BE CLEANED OUT FROM AROUND THE FIBER BEARING & WITHIN THE CRANE SOCKET.



VENCO VENTURO INDUSTRIES LLC
CINCINNATI, OHIO

TITLE

OPERATING INSTRUCTIONS

DATE

04-12-19

SECTION

C150

CE6K

SUPERSEDES

-

24119

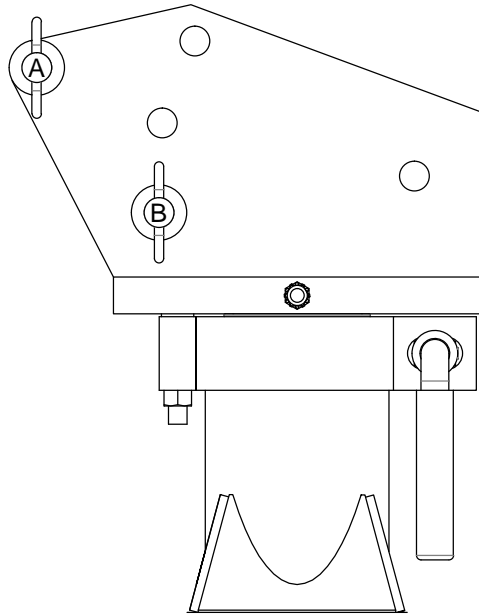
SECTION 200

INSTALLATION

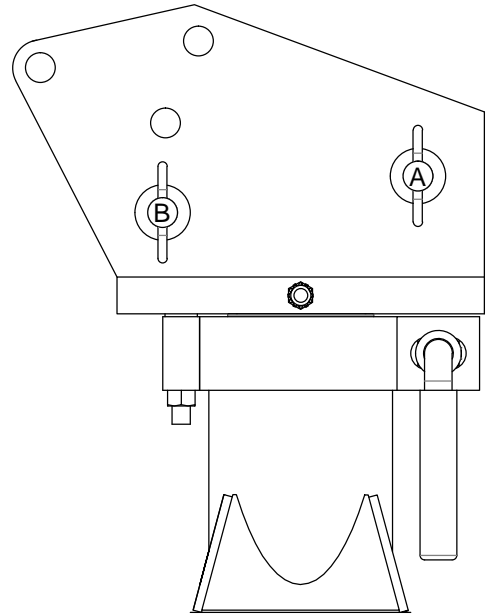


VENCO VENTURO INDUSTRIES LLC
CINCINNATI, OHIO

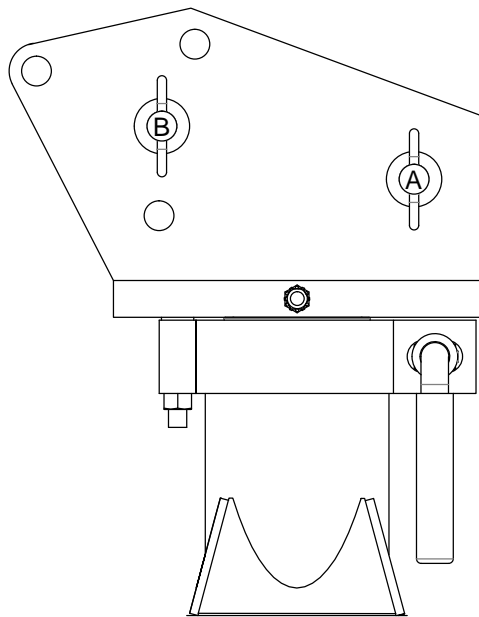
PIN POSITIONS FOR BOOM ANGLES



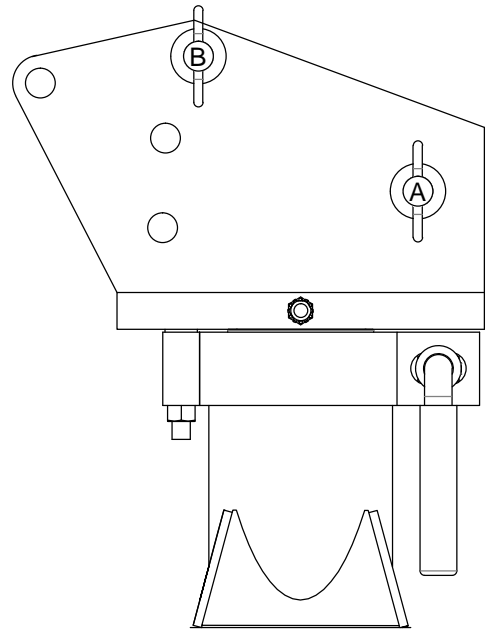
FOLDED POSITION



20° ANGLE



40° ANGLE



60° ANGLE



VENCO VENTURO INDUSTRIES LLC
CINCINNATI, OHIO

TITLE
PIN POSITIONS

CE6K

DATE
04-12-19A

SUPERSEDES
03-03-99

SECTION
C200

19774

!! IMPORTANT !!

ADEQUATE WIRING IMPERATIVE FOR PROPER OPERATION

1. PROPER GROUND PATH - SEE DWG 15660
2. CURRENT DRAW IS SEVERAL HUNDRED AMPERES - ADEQUATE WIRE SIZE AND BATTERY CAPACITY IS ABSOLUTELY ESSENTIAL (SEE CHART BELOW).

▲ MINIMUM WIRE GAUGE AND AUXILIARY BATTERY SIZE

MODEL	TOTAL LENGTH OF CABLE (FT) *								▲ 12 VOLT AUXILIARY BATTERY REQUIREMENTS	
	0-20	21-25	26-30	31-40	41-50	51-60	61-70	71-80	CCA (A) **	RC (MIN) ***
▲ CE1500 CE6K CT2000 CT2003/4/5 DT7K	#4	#4	#2	#2	#1	#0	#0	#00	350	100
ET5500MPB ET5500R ET6KMPB ET6KR ET6K ET8K ET10K ET12K	#2	#2	#1	#0	#00	NOT RECOMMENDED			450	100
ET8KX ET10KX ET12KX ▲ ET12KXP	#2	#2	#1	#0	#00	NOT RECOMMENDED			550	150
ET18K(X) ET25K(X) ET30KX ET36KX	SEE DRAWING 15660 FOR CABLE AND BATTERY REQUIREMENTS									

* INCLUDES GROUND CABLE

** CCA = COLD CRANKING AMPS AT 0° (F).

*** RC = RESERVE CAPACITY IN MINUTES AT 25 AMPS AND 80° (F).
THE RC RATING IS A MEASURE OF THE PERIOD OF TIME THE BATTERY CAN SUPPLY A GIVEN CURRENT WITHOUT RECHARGING.



VENCO VENTURO INDUSTRIES LLC
CINCINNATI, OHIO

TITLE
CABLE & BATTERY

DATE
07-30-18X

SECTION
C200

ELECTRIC CRANES

SUPERSEDES
09-27-17W

711105

RECOMMENDED CIRCUIT BREAKER TABLE

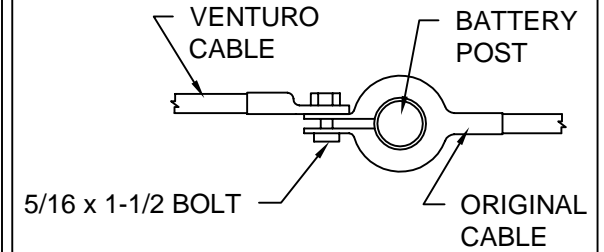
CRANE	DESCRIPTION	PART NO.
CT310KX	250 AMP, MAN RESET	22946-250
DT7	250 AMP, MAN RESET	22946-250
CE-1500-FB	150 AMP, MAN RESET	22946-150
CE6K	150 AMP, MAN RESET	22946-150
CT200X	250 AMP, MAN RESET	22946-250
ET6K	250 AMP, MAN RESET	22946-250
ET8/12K(X)	250 AMP, MAN RESET	22946-250
ET12KXP	300 AMP, MAN RESET	22946-300
ET16/18KX-16'	250 AMP, MAN RESET	22946-250
ET16/18KX-20'	300 AMP, MAN RESET	22946-300
ET25/30KX	300 AMP, AUTO RESET	22946-300
ET36KX	300 AMP, AUTO RESET	22946-300

BATTERY REQUIREMENTS

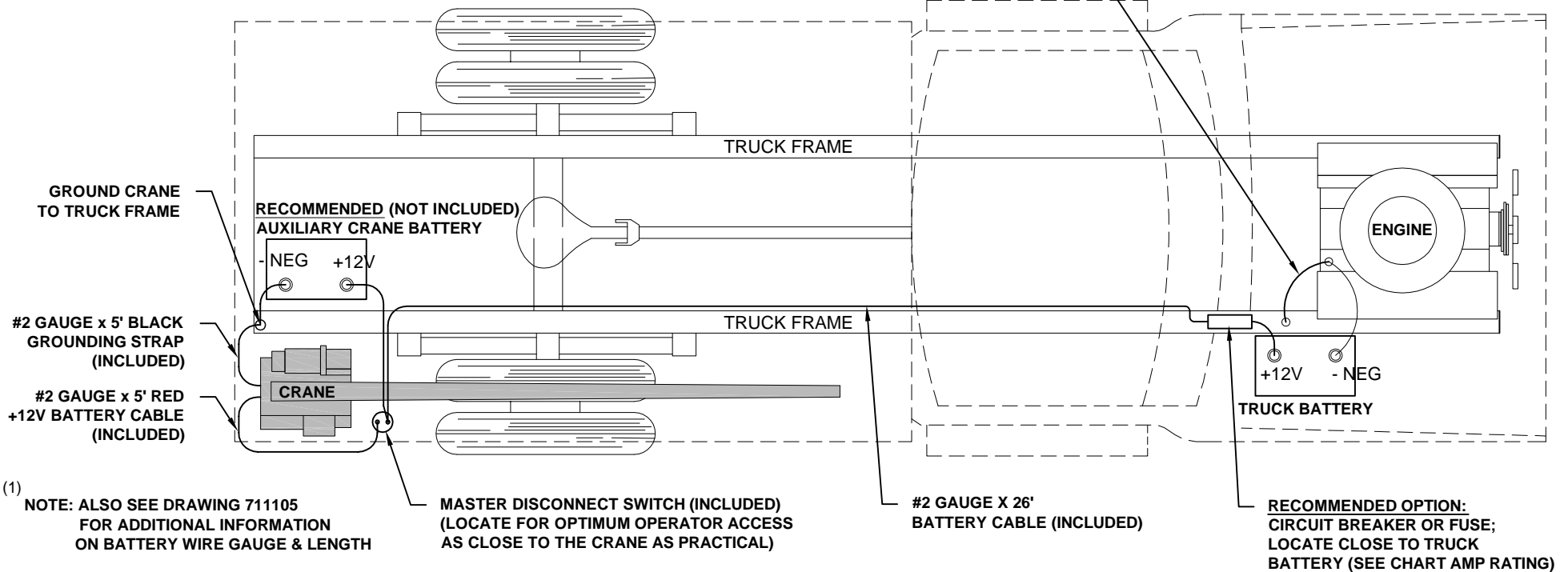
- **12 VOLT VEHICLE BATTERY REQUIREMENTS**
 - **625 COLD CRANKING AMPS (AT 0° F)**
 - **160 MINUTES RESERVE CAPACITY**
 - **102 PLATES, 105 AMP-HR**
- ⁽¹⁾ **12 VOLT AUXILIARY BATTERY REQUIREMENTS**
 - **SEE MINIMUM WIRE GAUGE AND BATTERY SIZE**

NOTE: OPERATING WITH THE VEHICLE BATTERY 'ONLY' IS PERMISSIBLE, BUT NOT RECOMMENDED.

RECOMMENDED BATTERY TERMINAL ATTACHMENT



INSTALL #2 GAUGE GROUND STRAP FROM ENGINE TO TRUCK FRAME (REQUIRED IF NEGATIVE FROM BATTERY IS CONNECTED TO ENGINE)



VENCO VENTURO INDUSTRIES LLC
CINCINNATI, OHIO

TITLE

BATTERY CABLE & COMPONENT INSTALL

ET CRANES

DATE

09-03-20M

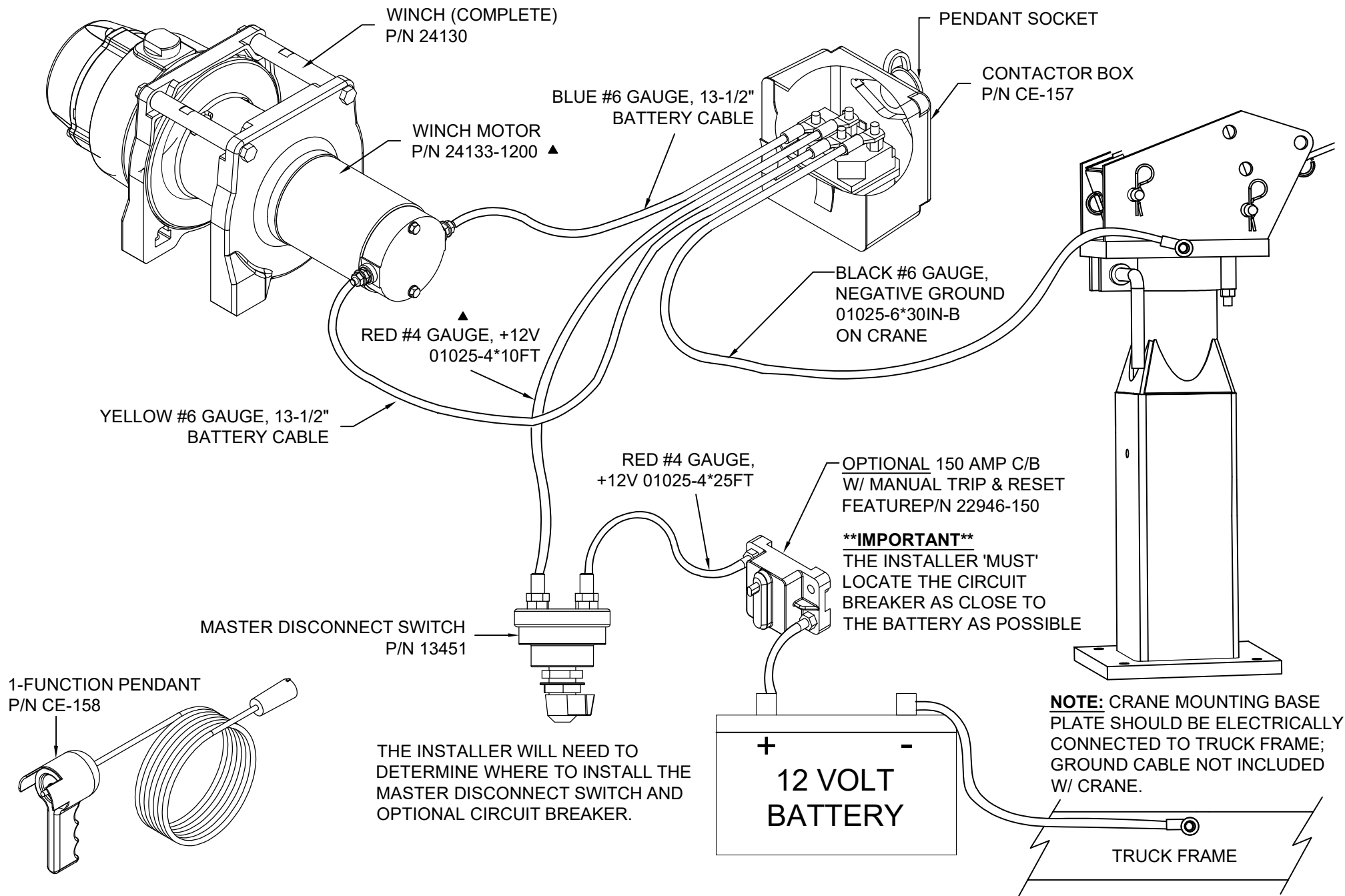
SUPSEDES

07-30-18L

SECTION

C200

15660



VENCO VENTURO LLC
CINCINNATI, OHIO

TITLE
WIRING DIAGRAM

CE6K

DATE
04-15-26C

SUPERSEDES
06-24-21B

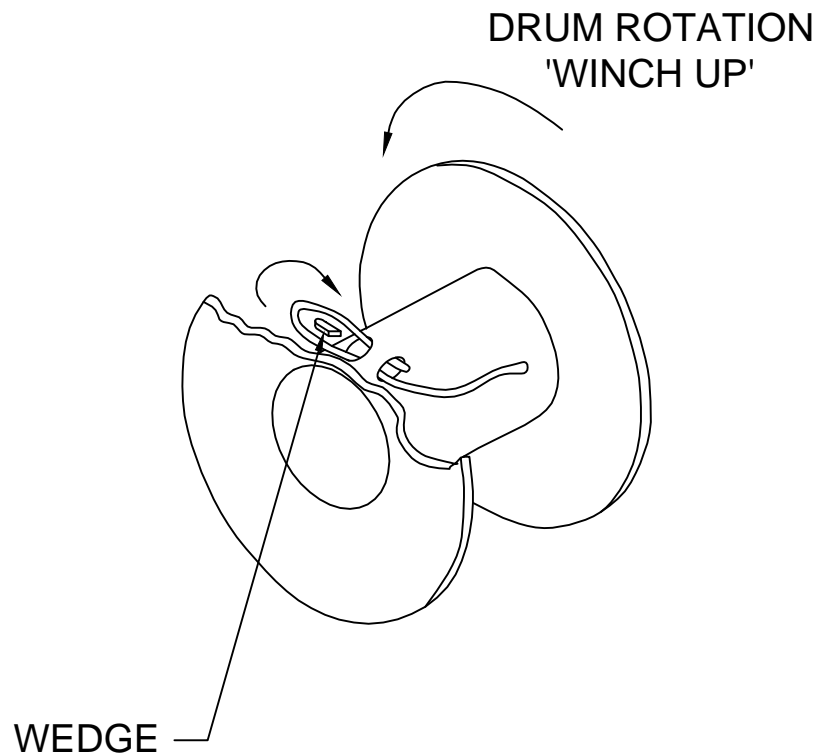
SECTION
C200

24115

WIRE ROPE INSTALLATION

WINCH LINE (WIRE ROPE) REPLACEMENT

1. REMOVE THE WEDGE FROM THE OLD WINCH LINE FOR USE WITH THE NEW LINE.
2. REMOVE THE OLD WINCH LINE AND CLEAN THE WINCH IF NEEDED.
3. UNROLL THE NEW WINCH LINE TO PREVENT KINKING.
4. INSERT THE NEW LINE THROUGH THE SLOT IN THE DRUM.
5. FORM A LOOP AND INSERT THE END OF THE LINE INTO THE SLOT.
 - 5.1. BE SURE THE "LIVE", OR LOAD CARRYING, END OF THE LINE IS AGAINST THE DRUM FLANGE.
 - 5.2. BE SURE THE END OF THE ROPE EXTENDS OUT OF THE SLOT.
6. INSERT THE WEDGE INTO THE LOOP.
 - 6.1. SEAT THE WEDGE INTO THE SLOT.
7. TURN THE CRANE ON.
8. WIND THE LINE ONTO THE DRUM BY PRESSING THE WINCH UP SWITCH.
 - 8.1. MAINTAIN TENSION ON THE LINE AT ALL TIMES.
 - 8.2. WIND THE LINE EVENLY ONTO THE DRUM.



VENCO VENTURO INDUSTRIES LLC
CINCINNATI, OHIO

TITLE
WIRE ROPE INSTALLATION
CE6K

DATE
04-12-19
SUPERSEDES
-

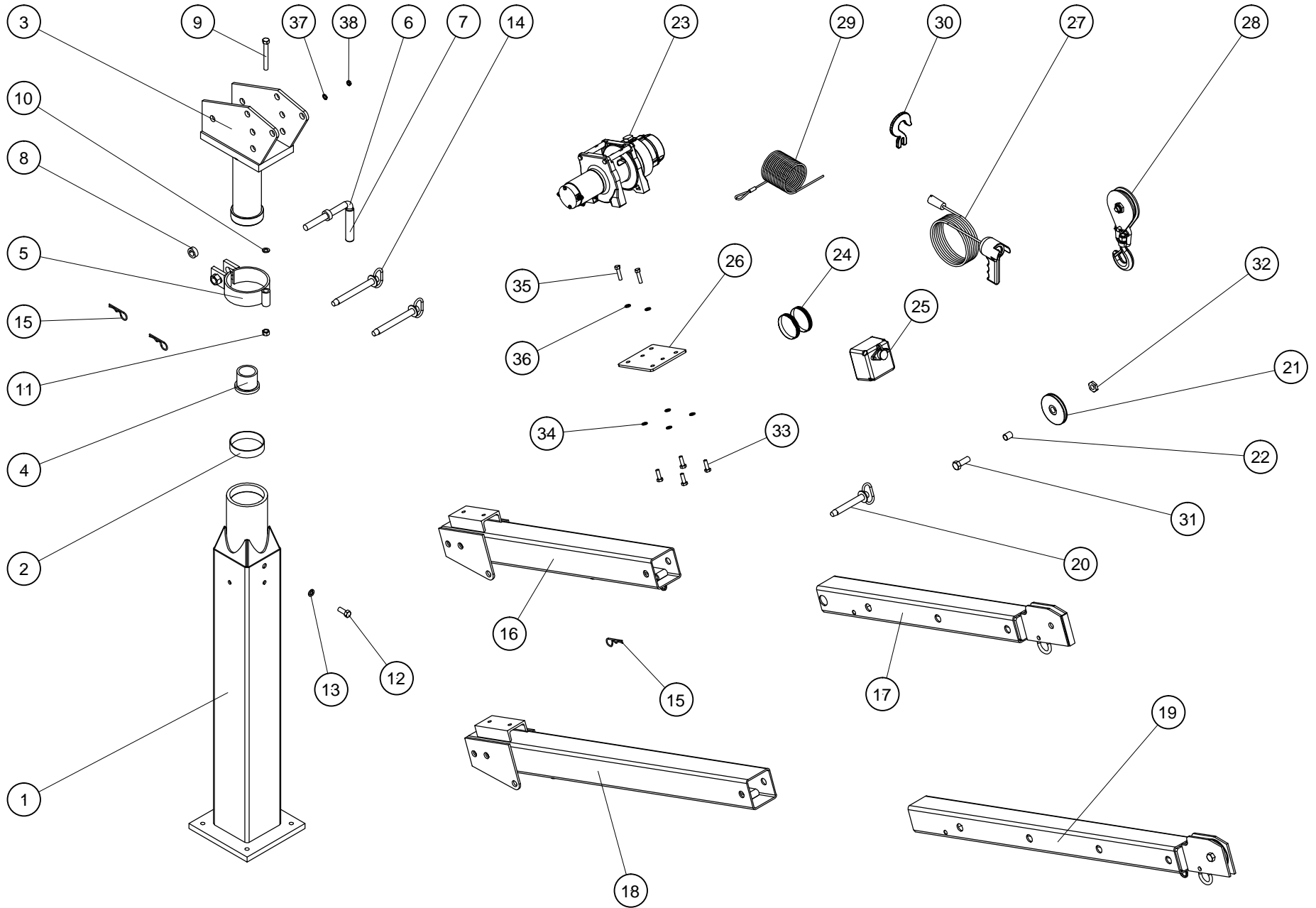
SECTION
C200
24116

SECTION 400

REPLACEMENT PARTS



VENCO VENTURO INDUSTRIES LLC
CINCINNATI, OHIO



VENCO VENTURO INDUSTRIES LLC
CINCINNATI, OHIO

TITLE
REPLACEMENT PARTS, EXPLODED VIEW
CE6K

DATE
04-12-19
SUPERSEDES
-

SECTION
C400
24117

24118 REPLACEMENT PARTS BILL OF MATERIALS

#	DESCRIPTION	QTY	PART NUMBER	#	DESCRIPTION	QTY	PART NUMBER
1	MAST WELDED ASSEMBLY	1	19606	25	CONTACTOR BOX ASSEMBLY, WINCH	1	CE-157
2	SWIVEL FIBER BEARING	1	20179	25*	CONTACTOR (NO ASS'Y, REPLACEMENT PARTS ONLY)	1	CE-169
3	HOUSING WELDED ASSEMBLY	1	19617	26	WINCH MOUNTING PLATE	1	19668
4	BRONZE FLANGE BEARING	1	18575	27	PENDANT REMOTE, WINCH	1	CE-158
5	BAND BRAKE WELDED ASSEMBLY	1	19653	28	SWIVEL LOAD BLOCK	1	19678
6	BRAKE HANDLE	1	19652	29	WIRE ROPE, WINCH	1	24131
7	RUBBER GRIP	1	16-00064	30	CLEVIS HOOK, WINCH	1	CE-159
8	SET COLLAR	1	00210	31	HEX HEAD CAP SCREW; 5/8-11 X 1 3/4", GR. 5	1	!HHCS06311175
9	HEX HEAD CAP SCREW; 1/2-13 X 4", GR. 5	1	!HHCS05013400	32	JAM NUT; 5/8-11. NYLON, GR. 5	1	!JNUT-06311N
10	BUSHING; 1/2" ID, 7/8" OD, 14GA	1	12534-4	33	HEX HEAD CAP SCREW; M10-1.50 X 30MM, 8.8	4	!HHCSM10150030-8.8
11	LOCK NUT; 1/2-13, NYLON, GR. 5	1	!LNUT-05013	34	LOCK WASHER; M10, GR. 8.8	4	!LWSHM10-8.8
12	HEX HEAD CAP SCREW; 1/2-13 X 1 1/4", GR. 5	1	!HHCS05013125-5	35	HEX HEAD CAP SCREW; 3/8-16 X 1 1/2", GR. 8	2	!HHCS03816150-8
13	LOCK WASHER; 1/2", GR. 5	1	!LWSH-050	36	LOCK WASHER; 3/8", GR. 5	2	!LWSH-038
14	PIN & LANYARD ASSEMBLY	2	23042-C-14-14	37	LOCK WASHER; 3/8", EXTERNAL STAR, SS	1	!LWSH-038-STAR-SS
15	HAIRPIN COTTER	3	21-07	38	JAM NUT; 3/8-16, GR. 5	1	!JNUT-03816
16	PRIMARY BOOM, 3'-5'	1	19626	41			
17	SECONDARY BOOM, 3'-5'	1	19636	42			
18	PRIMARY BOOM, 4'-7'	1	19672	43			
19	SECONDARY BOOM, 4'-7'	1	19676	44			
20	PIN & LANYARD ASSEMBLY	1	23042-B-14-14	45			
21	BOOM SHEAVE	1	19646	46			
22	SHEAVE BUSHING	1	13168-2	47			
23	COMEUP WINCH GTD-1200	1	24130	48			
24	HOSE CLAMPS, WINCH	2	CE-154	49			

*** REPLACEMENT PART INFORMATION ONLY, CONTACTOR INCLUDED IN CE-157 CONTACTOR ASSEMBLY**



VENCO VENTURO INDUSTRIES LLC
CINCINNATI, OHIO

TITLE
REPLACEMENT PARTS LIST

CE6K

DATE
01-20-23A

SUPERSEDES
04-12-19

SECTION
C400

24118

UNPLUG	
DECAL #	QTY
15398	1

LOCATED NEXT TO SOCKET

VENTURO LOGO	
DECAL #	QTY
17389-4	2

MODEL NAME	
DECAL #	QTY
19748	2

-12V GROUND	
DECAL #	QTY
11917-4	1

USE LOAD BLOCK		
CE6K-	DECAL #	QTY
DC	13191-10	2

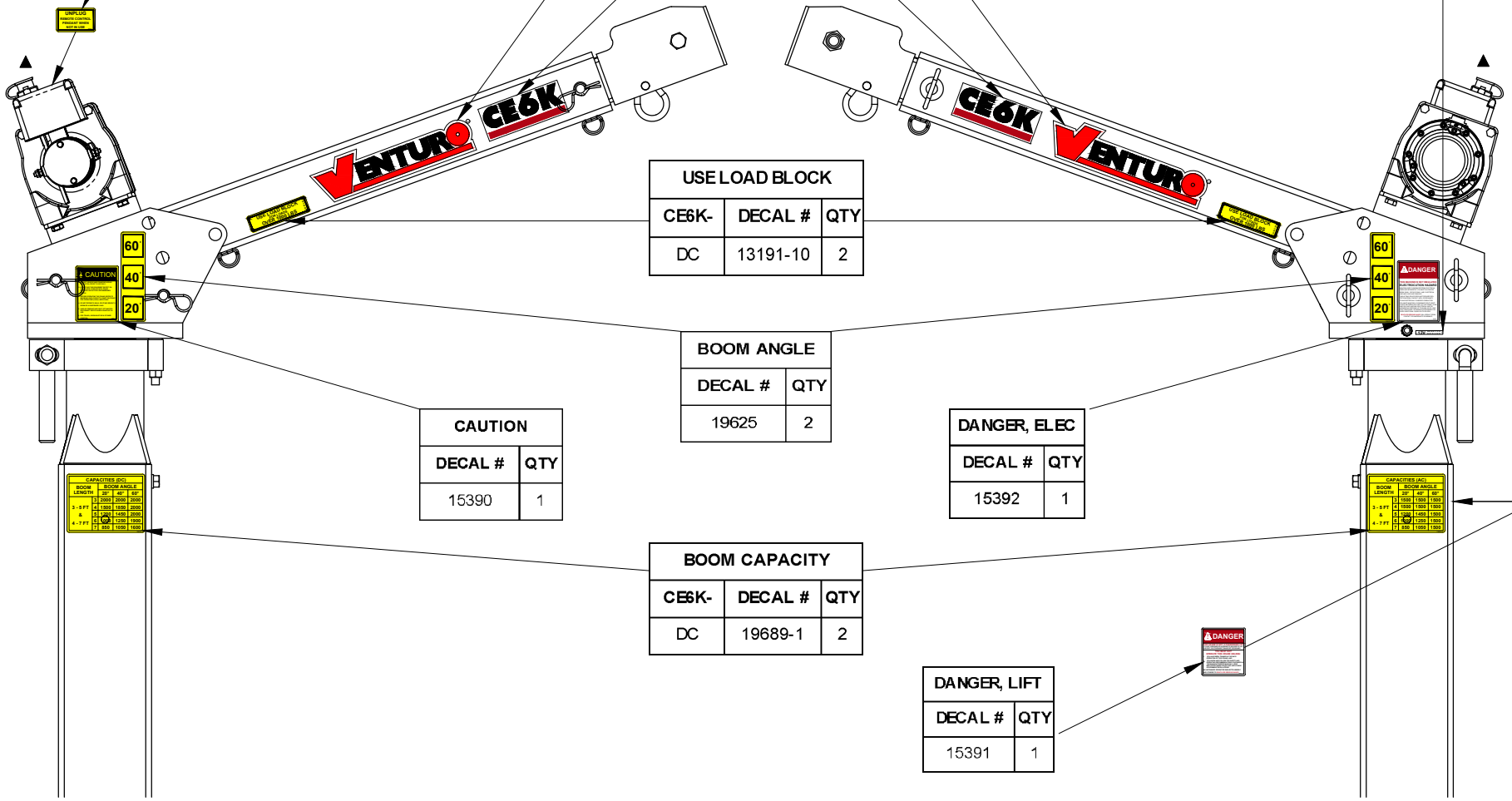
BOOM ANGLE	
DECAL #	QTY
19625	2

CAUTION	
DECAL #	QTY
15390	1

DANGER, ELEC	
DECAL #	QTY
15392	1

BOOM CAPACITY		
CE6K-	DECAL #	QTY
DC	19689-1	2

DANGER, LIFT	
DECAL #	QTY
15391	1



VENCO VENTURO INDUSTRIES LLC
CINCINNATI, OHIO

TITLE
DECAL PLACEMENT

CE6K

DATE
02-02-26K

SUPERSEDES
04-09-25J

SECTION
C400

19773

CE6K FIELD SERVICE LABEL KITS BILLS OF MATERIALS	19603	19603-1	19603= CE6K-DC 19603-1= CE6K-AC
DESCRIPTION	QTY		PART #
DECAL; VENTURO LOGO, SMALL	2	2	17389-4
DECAL; MODEL NAME, CE6K	2	2	19748
DECAL; BOOM CAPACITIES, CE6K-DC	2	-	19689-1
DECAL; BOOM CAPACITIES, CE6K-AC	-	2	19689-2
DECAL; BOOM ANGLES, CE6K	2	2	19625
DECAL; USE LOAD BLOCK, LOADS > 1000 LBS	2	-	13191-10
DECAL; USE LOAD BLOCK, LOADS > 750 LBS	-	2	13191-7
DECAL; VOLTAGE, 12V NEGATIVE GROUND	1	1	11917-4
KIT; ACCIDENT PREVENTION SIGNS	1	1	15397
IDWG; DECAL PLACEMENT, CE6K	1	1	19773
IDWG; FIELD SERVICE LABEL KIT, CE6K	1	1	28060
SAFETY MANUAL, VENTURO CRANES	1	1	INST-23233
SERIAL # RANGE 55125 - CURRENT			



VENCO VENTURO INDUSTRIES LLC
CINCINNATI, OHIO

TITLE
FIELD SERVICE LABEL KITS

DATE
03-13-23B

SECTION
C400

CE6K

SUPERSEDES
05-12-16A

28060



VENTURO CRANES LIMITED WARRANTY POLICY

Venturo products are built to last...we guarantee them.

As a purchaser of any new Venturo product covered by warranty, you will receive 1 year of the most complete coverage available...and, at no added cost to you.

1-Year Limited Warranty Policy

This limited policy warrants new products of Venturo to be free from defects in material and workmanship for a period of one (1) year from date of original installation. OEM products or accessories purchased by Venturo as part of or offered with our product will carry the OEM manufacturer's respective warranty. Our warranty covers:

- ***Repair or replacement of product***
- ***Labor to repair or replace product***
- ***Freight to return and/or replace product***

We shall not be liable for any contingent liabilities arising out of the improper function of any products. Warranty shall become void if the product is improperly installed, modified, damaged, abused or used for application other than intended use. There is no warranty of merchantability, fitness for a particular purpose, warranty arising from course of dealing or usage of trade, or any other implied or expressed warranty, except as made specifically herein. This warranty supersedes all previous warranties, written or implied.

Warranty Claims

Venco Venturo Industries LLC will make a good faith effort for prompt correction or other adjustment with respect to any product, which proves to be defective after our inspection and within the warranty period. Before any repairs are attempted or before returning any product, your Venturo Distributor is required to obtain a warranty claim number. This number is necessary for any claim to be considered. To obtain a warranty claim number, Venturo requires the model and serial number. Only authorized Venturo Distributors can perform warranty. For the name and address of your local Venturo Distributor call the **Warranty Claim Department - 513-772-8448**.

WARNING - It is the responsibility of the installer to ensure the installation is completed according to the manufacturer's recommendations, ensure the ultimate user understands how to operate product in a safe manner, and understands the need for regular service and maintenance by an authorized Venturo Distributor. No modifications or alterations may be made to any Venturo product without the expressed written consent of Venco Venturo Industries LLC. Installation of any Venturo product must be done by an authorized Venturo Distributor, to the standards of the industry; including maintenance, service and affixing of all instruction, safety and warning decals. Users should be instructed as to the safe operation at time of delivery. Maintenance, service, operation and safety warning decals are available on request from Venco Venturo Industries LLC.

VENCO VENTURO INDUSTRIES LLC
12110 BEST PLACE | CINCINNATI, OHIO 45241
P: 800-226-2238 | F: 513-326-5427
www.venturo.com