

VENTURO

OWNER'S MANUAL

INST-28555

*HTBABC-V*A0*

PARTS & INSTALLATION MANUAL

HT66KX-25

Included in this manual:

HT66KX-25 (VLC)

- 12,000 lb Hydraulic Telescopic Service Crane
- Venturo Logic Control System (VLC-H / VLC-K) w/ Proportional Control
- 25 ft Fully-Powered, Two-Stage Boom Extension

VENCO VENTURO INDUSTRIES LLC
12110 BEST PLACE | CINCINNATI, OHIO 45241
800-226-2238



This manual also available online at www.venturo.com.

HT66KX-25', VLC

INST-28555 - 4/7/2026 (Rev: B5)

7607100A	SECTION 100: DESCRIPTION & SPECIFICATIONS
24443	SPECIFICATIONS & OPERATING FEATURES
28482	INSTALLATION DIMENSIONS
23802	MOUNTING PLATE DIMENSIONS
28483	MAXIMUM LOAD CAPACITY CHART
7607150A	SECTION 150: SAFETY
15394	VEHICLE & CRANE ELECTRICAL HAZARD INFORMATION
920612	SAFETY & HAZARDS, GENERAL
19217	WINCH SAFETY WARNINGS
22181A	SAFETY DECALS DRAWING & LIST
22181B	SAFETY DECALS DRAWING & LIST
22181C	SAFETY DECALS DRAWING & LIST
28499	SAFETY DECALS DRAWING & LIST
28485	DECALS; BOOM CAPACITY
23748	DECALS; VENTURO LOGIC CONTROLS (VLC)
7607200A	SECTION 200: INSTALLATION
28503	CRANE INSTALLATION, PG. 1
23806	CRANE INSTALLATION PG. 2
23532	ROTATION STOP LOCATION
20906-66V	STABILITY PROCEDURE
20907	STABILITY CHART
22825	22785 HYDRAULIC TANK DIMENSIONS
22883	HYDRAULIC COMPONENT INSTALLATION
23015	CONNECTIONS GUIDE (PAGE 1 OF 2)
23014	CONNECTIONS GUIDE (PAGE 2 OF 2)
22913	CONNECTIONS GUIDE (PAGE 3 OF 3)
22245	WIRE ROPE INSTALLATION
7607300B	SECTION 300: OPERATION & MAINTENANCE
23203	MAINTENANCE OVERVIEW INFORMATION
23753	CRANE OPERATION & MAINTENANCE INSTRUCTIONS (PAGE 1 OF 3)
23754	CRANE OPERATION & MAINTENANCE INSTRUCTIONS (PAGE 2 OF 3)
28436	CRANE OPERATION & MAINTENANCE INSTRUCTIONS (PAGE 3 OF 3)
26934	EXPLANATION OF HYDRAULIC VALVE SYSTEMS
28481	WIRE ROPE, HOOK, & LOAD BLOCK INFO
7607400A	SECTION 400: REPLACEMENT PARTS
28556	REPLACEMENT PARTS DRAWING - MECHANISM
28557	REPLACEMENT PARTS LIST - MECHANISM
28558	REPLACEMENT FASTENERS DRAWING - MECHANISM
28559	REPLACEMENT FASTENERS LIST - MECHANISM
28564	REPLACEMENT PARTS DRAWING - 24946 BOOM
28565	REPLACEMENT PARTS LIST - 24946 BOOM
28566	REPLACEMENT FASTENERS DRAWING - 24946 BOOM
28567	REPLACEMENT FASTENERS LIST - 24946 BOOM
28505	A2B STOWAGE CUT-OUT
28496	REPLACEMENT PARTS DRAWING A2B STOWAGE CUT-OUT
27332	REPLACEMENT PARTS DIAGRAM - 27274 WINCH
28495	REPLACEMENT PARTS DRAWING - 27254 LOAD BLOCK PARTS
28517	REPLACEMENT PARTS DRAWING - HYDRAULIC COMPONENTS
28568	REPLACEMENT PARTS LIST - HYDRAULIC COMPONENTS
22940	REPLACEMENT PARTS DIAGRAM; 22736H HYDRAULIC VALVE MANIFOLD
28188	WORK LIGHT INSTALLATION INSTRUCTIONS; COMPACT A2B MOUNT
26963	WIRING DIAGRAM - VLC-K ("ORANGE"), PG 1/2
26964	WIRING DIAGRAM - VLC-K ("ORANGE"), PG 2/2
23436	WIRING DIAGRAM - VLC-H ("RED"), PG 1/2
23437	WIRING DIAGRAM - VLC-H ("RED"), PG 2/2
23822	HYDRAULIC SYSTEM DIAGRAM
22615	ENGINE START/STOP & THROTTLE CONTROL
23224	RESERVOIR KITS; REPLACEMENT PARTS DRAWING & LISTS
28502	DECAL PLACEMENT
28497	FIELD SERVICE LABEL KIT
25431	NOTES
25431	NOTES
12-00073_VNT1	WARRANTY PAGE

SECTION 100

DESCRIPTION

&

SPECIFICATIONS



VENCO VENTURO INDUSTRIES LLC
CINCINNATI, OHIO

SPECIFICATIONS

PTO-driven hydraulic system

12-volt electrical controls (e.g. valve coils)

66,000 ft-lb overturning moment (or as limited by truck stability)

Venturo Logic Controls (VLC) crane control management system

Hydraulic winch - 6,000 lb single-line capacity with automatic load brake

Hydraulic boom elevation

Hydraulic boom extension

Hydraulic 400° rotation

VLC radio remote control pendant

In-compartment electrical control panel (optional)

Accessories (optional):

Stabilizers: 27695-PHX, 27789-PHX

Pedestal: 27656

Boom Rest: 20381-1, VT1199

TELESCOPIC BOOM	11.5 - 24.5 ft
BOOM ELEVATION	-5° TO 75°
BOOM HYD EXTENSION	13 ft
BOOM MANUAL EXT	-
CAPACITY	2450 lb @ 25.0 ft
	12000 lb @ 5.0 ft
WIRE ROPE	7/16" x 100 ft



VENCO VENTURO INDUSTRIES LLC
CINCINNATI, OHIO

TITLE
SPECS & OP. FEATURES

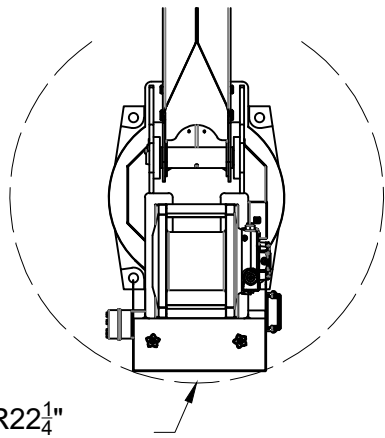
DATE
03-20-25

SECTION
C100

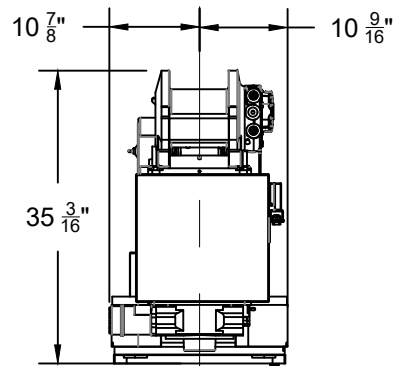
HT66KX-12/25

SUPERSEDES
-

24443



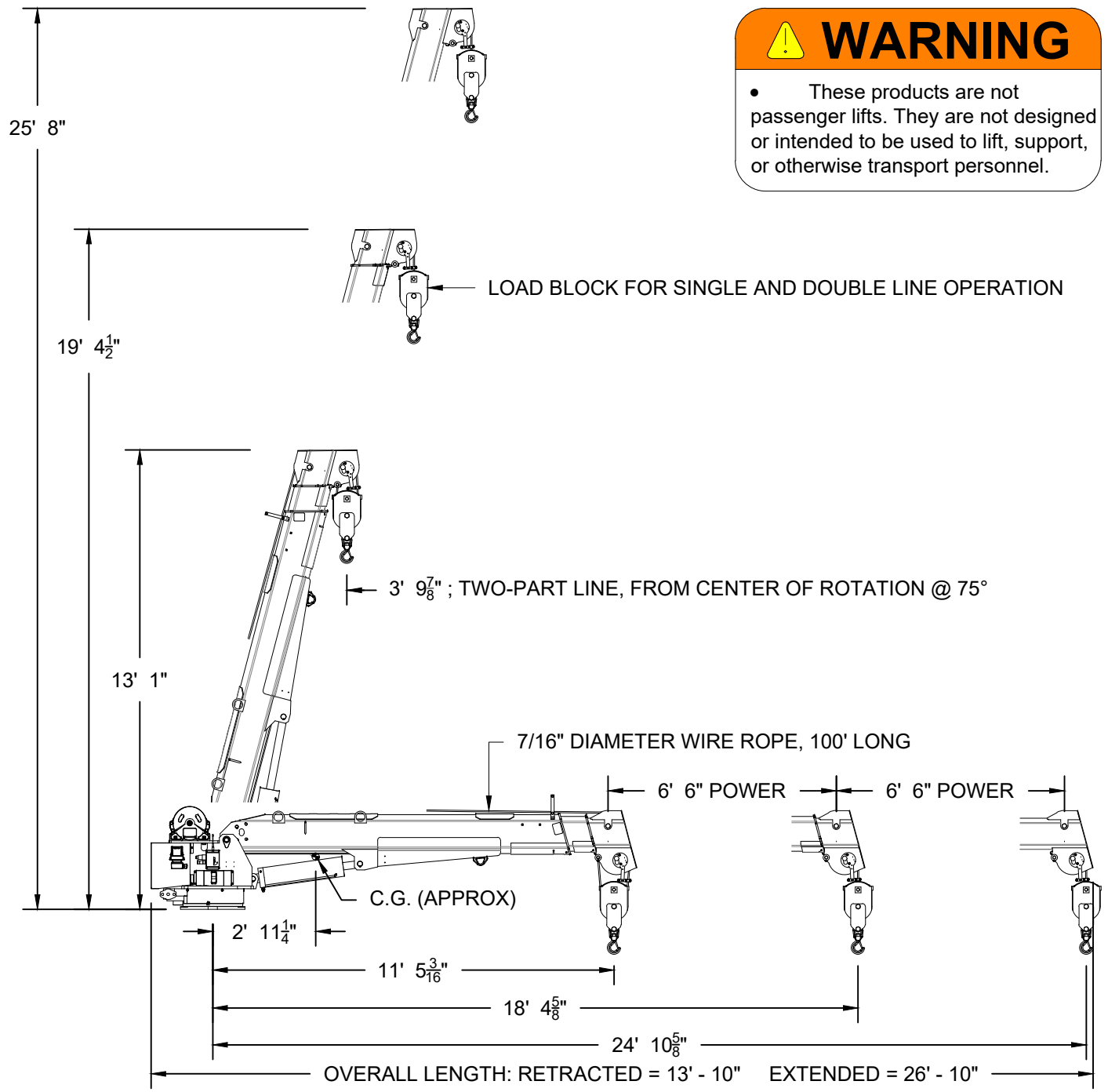
R22 $\frac{1}{4}$ "
SWING RADIUS



10 $\frac{7}{8}$ "
35 $\frac{3}{16}$ "

10 $\frac{9}{16}$ "

CENTER OF ROTATION



WARNING

- These products are not passenger lifts. They are not designed or intended to be used to lift, support, or otherwise transport personnel.

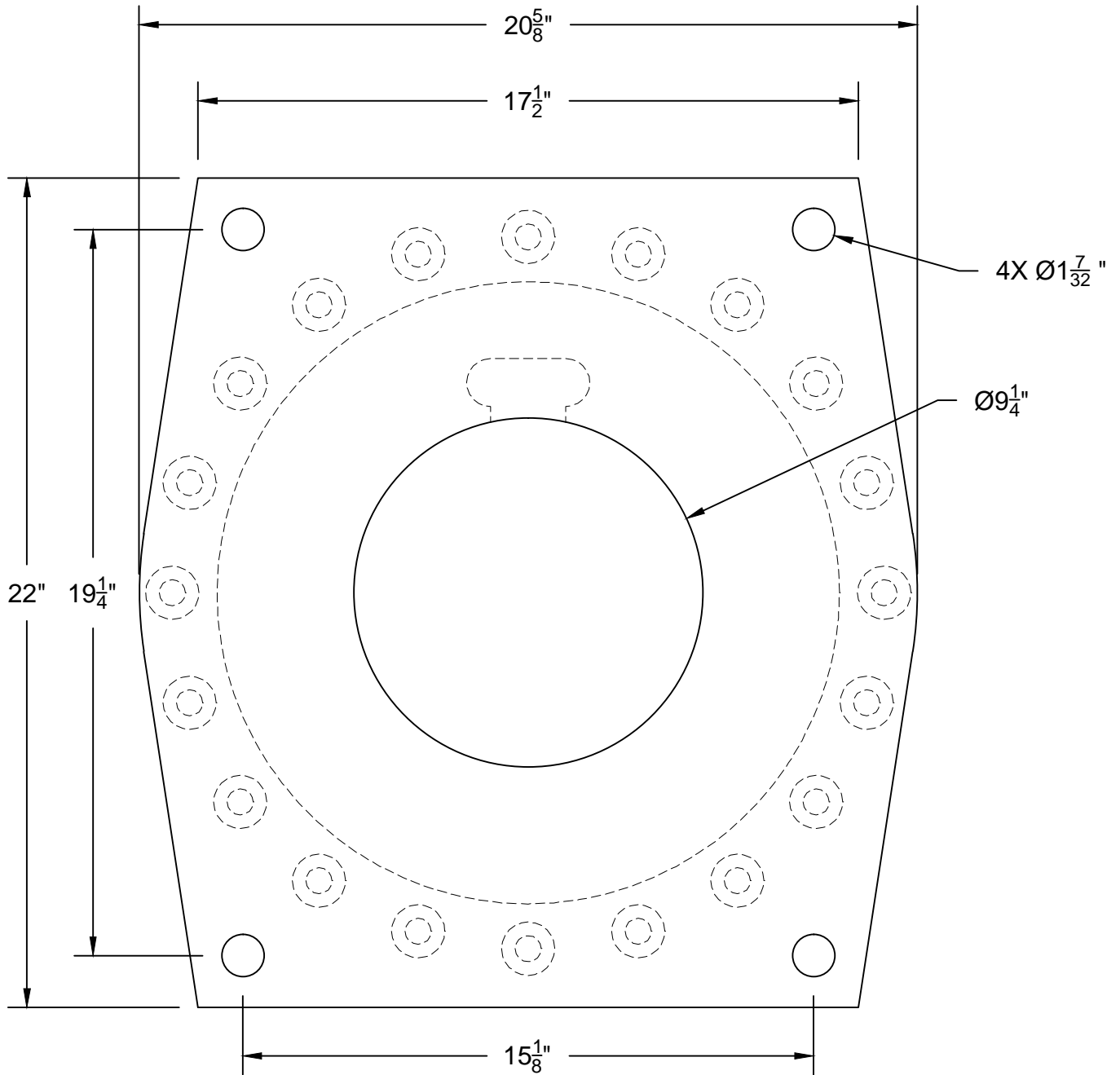


VENCO VENTURO INDUSTRIES LLC
CINCINNATI, OHIO

TITLE	DATE	SECTION
INSTALLATION DIMENSIONS	08-26-25A	C100
HT66KX-25' VLC SERIES	SUPERSEDES 04-10-23	28482

HT60/66KX VLC SERIES BASE MOUNTING DIMS

↑
FRONT OF CRANE



VENCO VENTURO INDUSTRIES LLC
CINCINNATI, OHIO

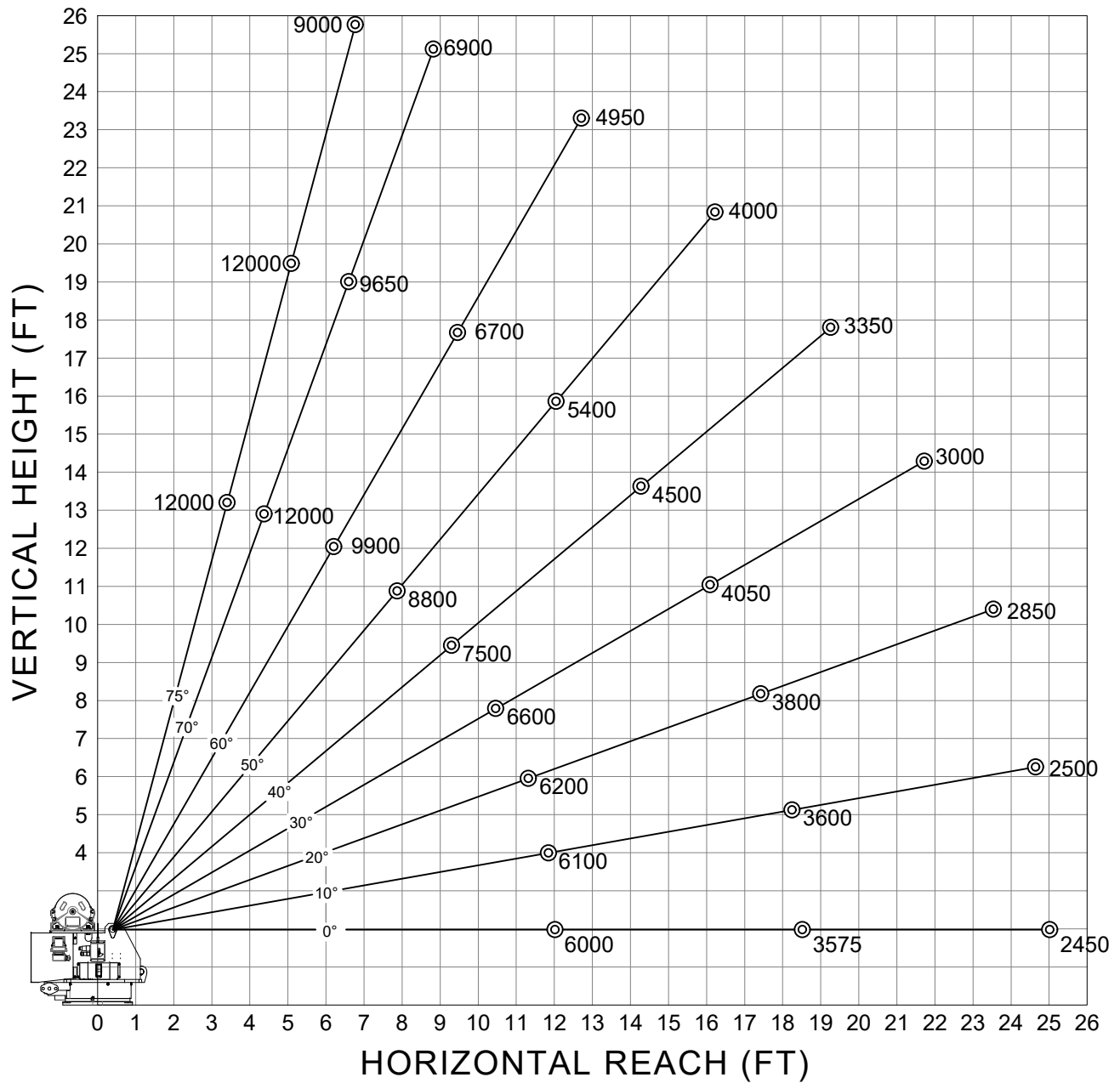
TITLE
BASE MOUNTING DIMS
HT60/66KX VLC SERIES

DATE
11-10-22-A
SUPERSEDES
02-06-19

SECTION
C100
23802

CRANE SERIAL NUMBER: _____

MAXIMUM LOAD CAPACITY CHART



WEIGHT OF LOAD HANDLING DEVICES ARE PART OF THE LOAD AND MUST BE DEDUCTED FROM THE GROSS CAPACITY.

LOAD BLOCK USAGE

1-PART LINE FOR LOADS LESS THAN 6000 LBS

2-PART LINE FOR LOADS OF 6000 LBS AND GREATER

WEIGHT OF LOAD BLOCK = 67 LBS



VENCO VENTURO INDUSTRIES LLC
CINCINNATI, OHIO

TITLE
MAXIMUM LOAD CAPACITY

DATE
04-10-23

SECTION
C100

HT66KX-25' VLC SERIES

SUPERSEDES
-

28483

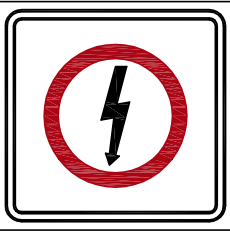
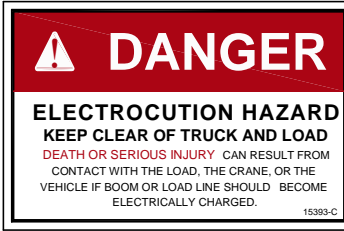
SECTION 150

SAFETY

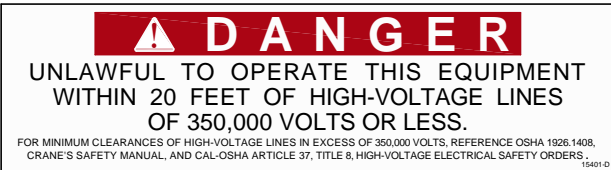


VENCO VENTURO INDUSTRIES LLC
CINCINNATI, OHIO

VEHICLE & CRANE MOUNTED ELECTRICAL HAZARD SIGN APPLICATION & INFORMATION



SIGN NO. 15393 DISPLAYS THE INTERNATIONAL SYMBOL FOR ELECTRICITY AND WARNS OF DANGER FROM AN ELECTRICALLY CHARGED VEHICLE, CRANE, OR LOAD. FOUR ARE RECOMMENDED (ONE FOR EACH SIDE AND ONE FOR EACH END OF VEHICLE) TO BE APPLIED IN LOCATIONS WHICH ARE READILY VISIBLE TO GROUND PERSONNEL.



SIGN NO. 15401 PROVIDES ADDITIONAL WARNING OF LEGAL REQUIREMENTS WHEN OPERATING NEAR HIGH VOLTAGE LINES. THIS SIGN IS PLACED ON THE CONTROL PENDANT SIDE OF BOOM.

Table A - Minimum Clearance Distances

Voltage (nominal, kV, alternating current)	Minimum clearance distance (feet) *
Up to 50.....	10
over 50 - 200.....	15
over 200 - 350.....	20
over 350 - 500.....	25
over 500 - 750.....	35
over 750 - 1000.....	45
Over 1000.....	(as established by the utility owner/operator or registered professional engineer who is a qualified person with respect to electrical power transmission and distribution).

Table T - Minimum Clearance Distances While Traveling With No Load

Voltage (nominal, kV, alternating current)	While traveling - minimum clearance distance (feet) *
0 - 0.75.....	4
over 0.75 - 50.....	6
over 50 - 345.....	10
over 345 - 750.....	16
over 750 - 1000.....	20
Over 1000.....	(as established by the utility owner/operator or registered professional engineer who is a qualified person with respect to electrical power transmission and distribution).

* NOTE: ENVIRONMENTAL CONDITIONS SUCH AS FOG, SMOKE, OR PRECIPITATION MAY REQUIRE INCREASED CLEARANCES



VENCO VENTURO INDUSTRIES LLC
CINCINNATI, OHIO

TITLE	DATE	SECTION
HAZARD APPS & INFO	02-21-14M	C150
ET/HT CRANES	SUPERSEDES 12-20-13L	15394

CRANE SAFETY AND HAZARDS

HT SERIES CRANES

CAUTIONS

1. INSPECT VEHICLE AND CRANE, INCLUDING OPERATION, PRIOR TO USE DAILY.
2. DO NOT USE THIS EQUIPMENT EXCEPT ON SOLID, LEVEL SURFACE WITH CRANE MOUNTED ON FACTORY-RECOMMENDED TRUCK.
3. BEFORE OPERATING THE CRANE, REFER TO MAXIMUM LOAD (CAPACITY) CHART ON CRANE FOR OPERATING (LOAD) LIMITATIONS.
4. DO NOT OPERATE, WALK, OR STAND BENEATH BOOM OR A SUSPENDED LOAD.
5. ATTACH PENDANT CORD SUPPORT SNAP TO ATTACHMENT POINT BEFORE PLUGGING IN PENDANT.
6. UNPLUG PENDANT AND DISENGAGE PTO SYSTEM WHEN CRANE NOT IN USE.
7. FOR TRAVEL, BOOM MUST BE IN STOWED POSITION.

DANGER

- THIS CRANE IS NOT A PASSENGER LIFT
- IT IS NOT DESIGNED OR INTENDED TO BE USED TO LIFT, SUPPORT, OR OTHERWISE TRANSPORT PERSONNEL.

YOU MUST NOT OPERATE THIS CRANE UNLESS

1. YOU HAVE BEEN TRAINED IN THE SAFE OPERATION OF THIS CRANE
AND
2. YOU KNOW AND FOLLOW THE SAFETY AND OPERATING RECOMMENDATIONS CONTAINED IN THE MANUFACTURER'S MANUALS, YOUR EMPLOYER'S WORK RULES, AND APPLICABLE GOVERNMENT REGULATIONS. AN UNTRAINED OPERATOR SUBJECTS HIMSELF AND OTHERS TO DEATH OR SERIOUS INJURY.

ELECTROCUTION HAZARD

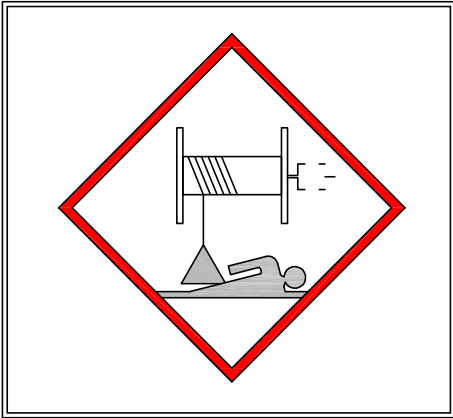
- THIS MACHINE IS NOT INSULATED.
- MAINTAIN SAFE CLEARANCES FROM ELECTRICAL LINES AND APPARATUS.
- YOU MUST ALLOW FOR BOOM SWAY, ROCK OR SAG, AND ELECTRICAL LINE AND LOADLINE SWAYING.
- THIS LIFTING DEVICE DOES NOT PROVIDE PROTECTION FROM CONTACT WITH OR PROXIMITY TO AN ELECTRICALLY CHARGED CONDUCTOR.
- YOU MUST MAINTAIN A CLEARANCE OF AT LEAST 20 FEET BETWEEN ANY PART OF THE CRANE, LOADLINE, OR LOAD, AND ANY ELECTRICAL LINE OR APPARATUS CARRYING UP TO 350 kV (SEE NEW CHART). ADDITIONAL CLEARANCES ARE REQUIRED FOR VOLTAGES IN EXCESS OF 50,000 VOLTS. REFER TO DRAWING 15394 FOR ADDITIONAL INFORMATION.
- **DEATH OR SERIOUS INJURY** WILL RESULT FROM CONTACT OR INADEQUATE CLEARANCE.



VENCO VENTURO INDUSTRIES LLC
CINCINNATI, OHIO

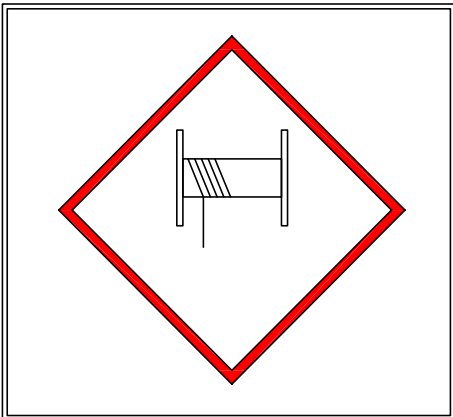
TITLE	DATE	SECTION
CRANE SAFETY & HZRDS	02-21-14D	C150
HYDRAULIC CRANES	SUPERSEDES 04-04-12C	920612

WINCH SAFETY WARNINGS



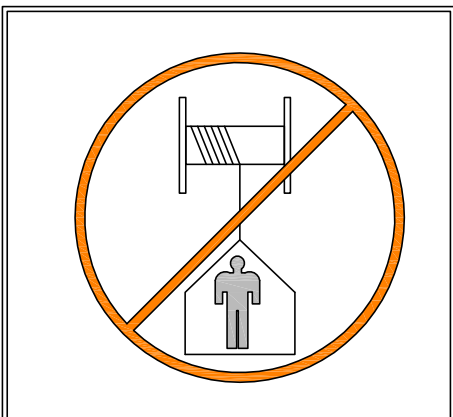
DANGER

- DO NOT DISENGAGE WINCH UNDER LOAD



DANGER

- THE LAST [5] (DEAD) WRAPS OF WIRE ROPE MUST BE LEFT ON TO ASSIST WIRE ROPE CLAMP IN HOLDING LOAD



WARNING

- Winches are not to be used to lift, support, or otherwise transport personnel



VENCO VENTURO INDUSTRIES LLC
CINCINNATI, OHIO

TITLE
WINCH SAFETY
HT CRANES

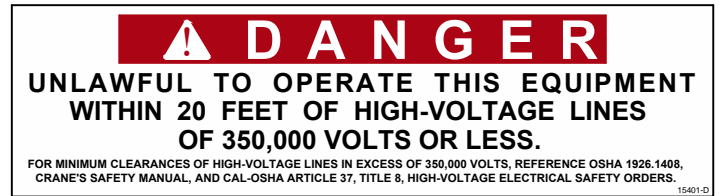
DATE
02-21-14D
SUPERSEDES
04-04-12C

SECTION
C150
19217

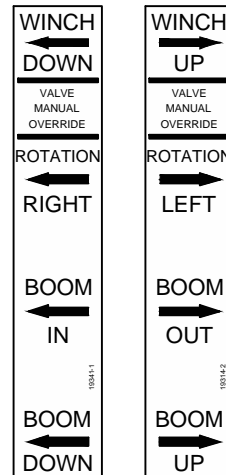
PART NO.: 15398
 DECAL: UNPLUG REMOTE CONTROL
 FUNCTION: To inform the operator to unplug remote control when not being used.
 QUANTITY: 1
 PLACEMENT: Right side of housing.



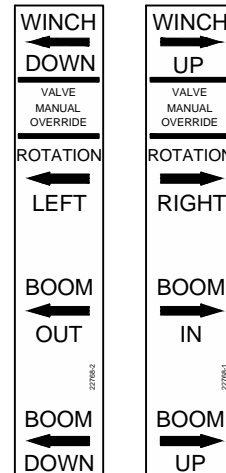
PART NO.: 15401
 DECAL: UNLAWFUL TO OPERATE
 FUNCTION: To inform the operator of proper operation in vicinity of power lines.
 QUANTITY: 1
 PLACEMENT: Right side of housing.



PART NO.: 19314-1 [LEFT] & -2 [RIGHT]
 DECAL: MANUAL OVERRIDE (NON-PROP)
 FUNCTION: To inform the operator of manual override locations.
 QUANTITY: 1 EACH
 PLACEMENT: Inside of rear cover.



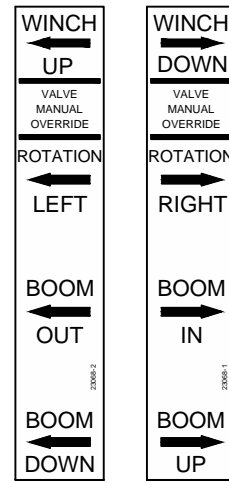
PART NO.: 22768-1 [LEFT] & -2 [RIGHT]
 DECAL: MANUAL OVERRIDE (PROPORTIONAL)
 FUNCTION: To inform the operator of manual override locations.
 QUANTITY: 1
 PLACEMENT: Inside of rear cover.



VENCO VENTURO INDUSTRIES LLC
 CINCINNATI, OHIO

TITLE	DATE	SECTION
DECAL DRAWING & LIST	11-30-22E	C150
HT40/50/60/66 SERIES	SUPERSEDES 02-21-14D	22181A

▲
 PART NO.: 23068-1 [LEFT] & -2 [RIGHT]
 DECAL: MANUAL OVERRIDE
 (HT66KXX w/ TH-2 Winch ONLY)
 FUNCTION: To inform the operator of
 manual override locations.
 QUANTITY: 1
 PLACEMENT: Inside of rear cover.



PART NO.: 19315-1
 DECAL: SHUT OFF (NON-PROPORTIONAL)
 FUNCTION: To show the operator how to
 override master shut off valve.
 QUANTITY: 1
 PLACEMENT: Inside rear cover.

WARNING!

KEEP VALVE IN NORMAL POSITION.
 OVERRIDE POSITION IS INTENDED
 FOR EMERGENCY USE ONLY.

NON-PROPORTIONAL VALVE
 PUSH IN STEM
 AND ROTATE

19315-1 Rev B

PART NO.: 19315-2
 DECAL: MANUAL OVERRIDE (PROPORTIONAL)
 FUNCTION: To show the operator how to
 override proportional valve.
 QUANTITY: 1
 PLACEMENT: Inside rear cover.

WARNING!

KEEP VALVE IN NORMAL POSITION.
 OVERRIDE POSITION IS INTENDED
 FOR EMERGENCY USE ONLY.

PROPORTIONAL VALVE
 ROTATE STEM

19315-2 Rev B

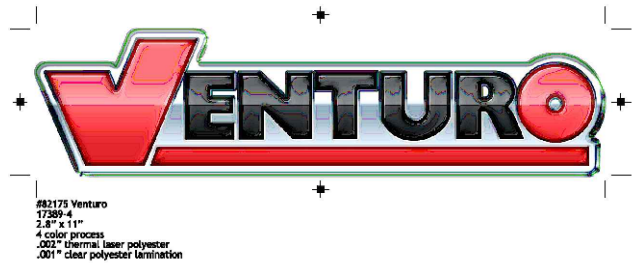
PART NO.: 20834
 DECAL: MANUAL OVERRIDE NOTICE
 FUNCTION: To inform the operator of
 manual override locations.
 QUANTITY: 1
 PLACEMENT: Inside rear cover.

NOTICE

FOR MANUAL OVERRIDE
 OF CRANE FUNCTIONS,
 REMOVE REAR COVER
 AND SEE INSTRUCTIONS
 INSIDE.

20834-B

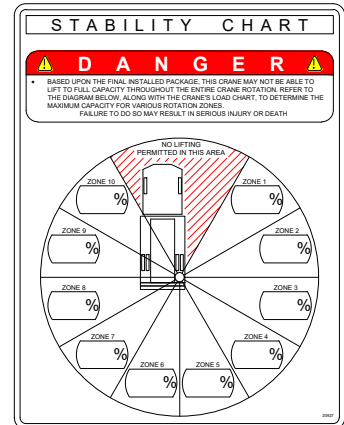
PART NO.: 17389
 DECAL: MEDIUM VENTURO
 FUNCTION: Branding.
 QUANTITY: 1
 PLACEMENT: Rear cover.



PART NO.: 28501
 DECAL: LARGE VENTURO
 FUNCTION: Branding.
 QUANTITY: 2
 PLACEMENT: Boom.



PART NO.: 20927
 DECAL: CRANE STABILITY
 FUNCTION: To inform the operator of the crane's lifting capacity throughout the entire rotation.
 QUANTITY: 1
 PLACEMENT: In prominent location, so it is easily seen and readily identifiable.



VENCO VENTURO INDUSTRIES LLC
 CINCINNATI, OHIO

TITLE
DECAL DRAWING & LIST
 HT66KX

DATE
 05-02-23
 SUPERSEDES
 -

SECTION
 C150
28499

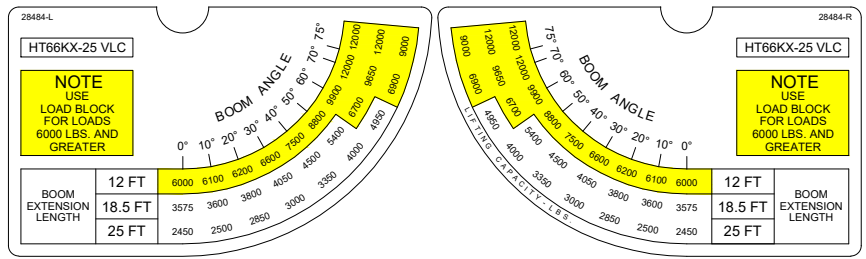
PART NO.: 28484-L & 28484-R

DECAL: HT66-25' CRANE CAPACITY (VLC)

FUNCTION: To show the operator the operating capacities of the crane

QUANTITY: 1 each

PLACEMENT: Left side of boom, Right side of boom



28484-L

28484-R

SPACE INTENTIONALLY LEFT BLANK

SPACE INTENTIONALLY LEFT BLANK

SPACE INTENTIONALLY LEFT BLANK



VENCO VENTURO INDUSTRIES LLC
CINCINNATI, OHIO

TITLE	BOOM CAPACITY DECALS
HT66KX SERIES	

DATE	04-11-23
SUPERSEDES	-

SECTION	C150
---------	------

28485

▲

PART NO.: 23742

DECAL: VLC, 2.94" x 6.00"

FUNCTION: To show that the crane is equipped with Venturo Logic Controls

QUANTITY: 2 each

PLACEMENT: Each side of Housing



▲

S P A C E I N T E N T I O N A L L Y L E F T B L A N K

S P A C E I N T E N T I O N A L L Y L E F T B L A N K

S P A C E I N T E N T I O N A L L Y L E F T B L A N K



VENCO VENTURO INDUSTRIES LLC
CINCINNATI, OHIO

TITLE

VLC DECALS

DATE

02-06-19A

SECTION

C150

VLC SERIES CRANES

SUPERSEDES

10-11-18

23748

SECTION 200

INSTALLATION



VENCO VENTURO INDUSTRIES LLC
CINCINNATI, OHIO

CRANE INSTALLATION, PAGE 1

HT66KX-25' VLC SERIES

BODY REINFORCEMENT

The truck body must be reinforced and outriggers provided to withstand the combined loads resulting from lifting and the weight of the crane and boom.

The maximum combined overturning moment for the HT66 VLC is 75,000 ft*lb ▲
(includes moments induced by both lifted load and weight of the boom itself).

The maximum vertical load for the HT66 VLC is 14,500 lbs.

CRANE MOUNTING

The crane base plate or mounting pedestal must be bolted to the body reinforcing plate with four [4] grade eight (8) bolts of 1-1/8" diameter with coarse threads, torqued to 965 foot pounds.

- ▲ A 6" - 10" diameter hose clearance hole must be cut in this plate to allow the hoses to swing and coil freely.

ROTATION POSITIONING

The HT cranes are shipped with the boom rotated as shown on drawing 20051. It can be in any position that pleases the user since the boom can always reach the storage and travel position by rotating one way or the other.

HYDRAULIC CONNECTIONS

The crane is furnished with a pressure, return and a case drain hoses that come down through the center of the housing. The pressure and return hoses connect to two hydraulic swivels to prevent damage while rotating the crane right and left.



C A U T I O N



- THE CASE DRAIN HOSE MUST BE A DEDICATED RETURN HOSE UNRESTRICTED TO TANK / RESERVOIR. DO NOT 'T' INTO ANOTHER EXISTING RETURN HOSE OR DAMAGE TO THE HYD. WINCH FROM BACK-PRESSURE WILL OCCUR. BACK-PRESSURE IN EXCESS OF 200 PSI WILL DAMAGE THE HYD. WINCH.

Arrange the pressure & return hoses in the compartment below the crane so that they are connected in a relaxed position while the crane is at the midpoint of the 400 degree rotation range -- regardless of the final position of the boom during storage/travel. See installation pages 22913 for more information on hose connections.



VENCO VENTURO INDUSTRIES LLC
CINCINNATI, OHIO

TITLE	DATE	SECTION
CRANE INSTALLATION	01-17-25B	C200
HT66KX-25' VLC SERIES	SUPERSEDES 07-09-24A	28503

ELECTRICAL CONNECTIONS

A 9 ft electrical power lead - intended for 12V DC only - comes down through the center of the crane base plate along with the hoses. This power lead should be slacked in the compartment so that it remains relaxed throughout the 400 degree rotation of the crane.

A 20 amp circuit breaker is mounted on the crane and protects the crane's internal wiring and solenoid coils. The 20 amp circuit breaker does not protect the 9 ft power lead. For added protection, the 9 ft lead can be connected to a 20 amp protected circuit that, if possible, is powered only when the vehicle engine is running.

HYDRAULIC FLUID

<u>Average Climate</u>	<u>Type of Oil</u>
Cold to Moderate	ISO Grade AW 46
Warm to Hot	ISO Grade AW 68

The fluid should have the highest anti-wear characteristics and treated to inhibit rust and oxidation.

HYDRAULIC HOSES & LINES

The minimum sizes for lines and hoses are as follows:

HYDRAULIC LINE	HOSE INSIDE DIAMETER
PRESSURE	5/8"
RETURN	3/4"
SUCTION	1-1/4"

RESERVOIR

The PTO reservoir should have a capacity of 40 gallons fitted with 100 mesh suction screen, 10 micron return line filter, and filler/breather cap.

PTO PUMP

The PTO pump should be sized to allow an engine idle speed range that will deliver approximately 12 GPM. The crane's system relief pressure is set at 3000 psi.

PTO START-UP

Before connecting the PTO system to the crane pressure and return hoses, connect the PTO pressure and return lines together at the bulkhead. Assuming 12 GPM with a 40 gallon reservoir, operate the PTO system for 20-25 minutes to flush out the lines and filter all fluid approximately seven times.

ENGINE START/STOP & THROTTLE CONTROL

If your crane was purchased with optional engine start/stop and throttle control, refer to drawing 22615 in the replacement parts section for further information.



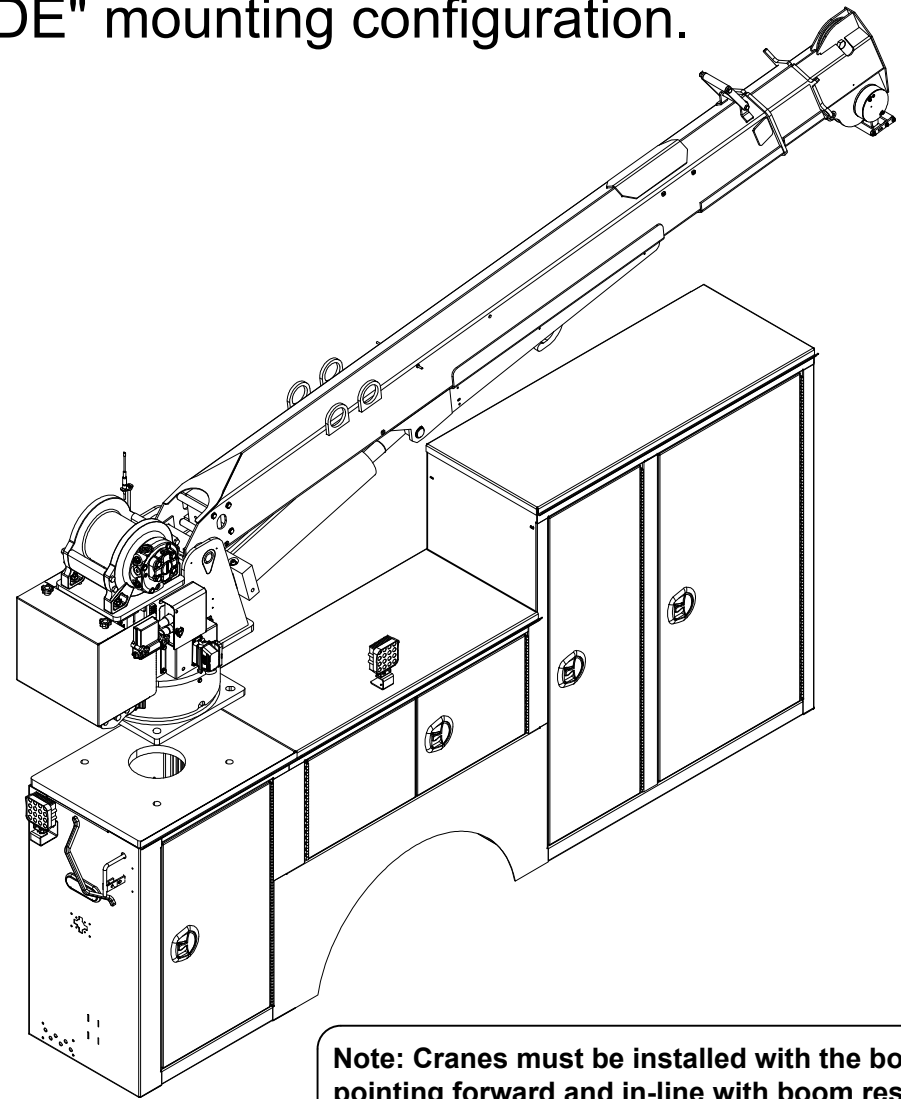
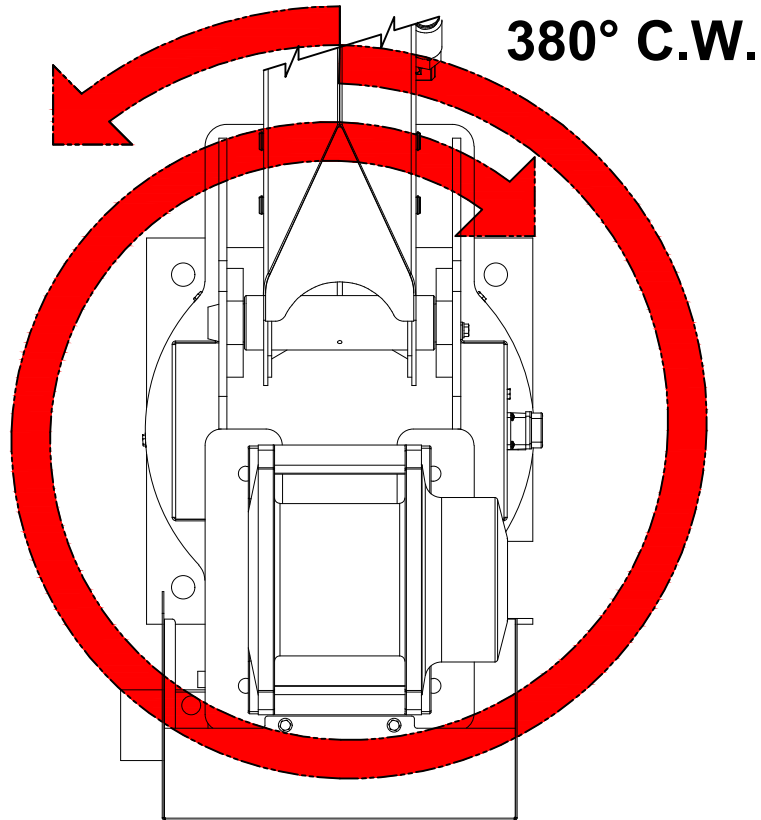
VENCO VENTURO INDUSTRIES LLC
CINCINNATI, OHIO

TITLE	DATE	SECTION
CRANE INSTALLATION	07-15-24C	C200
HT45/60/66 VLC SERIES	SUPERSEDES 11-10-22B	23806

400° ROTATION STOP LOCATION

Crane is shipped in "CURBSIDE" mounting configuration.

20° C.C.W.



Note: Cranes must be installed with the boom pointing forward and in-line with boom rest.

**Contact Venturo Tech Support for assistance.
1-800-226-2238.**



VENCO VENTURO INDUSTRIES LLC
CINCINNATI, OHIO

TITLE
ROTATION STOP LOCATION

DATE
03-19-26A

SECTION
C200

400° ROTATION CRANES (STD CONFIG)

SUPERSEDES
08-14-25

23532

STABILITY TEST - HT66-25'-VLC SERIES

Overview

Venturo follows the guidelines of ANSI B30.5 in defining stability. Generally speaking, a truck is considered stable as long as it is not on the verge of tipping - i.e. with the truck level, at least one tire on each corner of the truck must remain in contact with the ground.

It is important to note that nearly every installation is unique and will, therefore, typically require stability testing.

The procedure outlined below follows ANSI's (B30.5 - 5-1.1.1) specified "maximum load rating" of 85% of truck stability.

Testing Procedure

1. Locate the truck on firm, level ground and set parking brake.
2. Fully deploy stabilizers, making sure they are firmly in contact with supportive ground; use stabilizer pads as required. The tires of the truck should remain in full contact with the ground.
3. Inspect wire rope and other key components of crane (consult owners manual for more information).
4. Conduct an operational check of all crane functions.
5. Use a **test weight** weighing a **minimum of 2882 lbs**, (includes load block weight of 67 lbs.) to a **maximum of 3050 lbs**.
6. Place the VLC system into **Stability Mode** (reference VLC Manual) ▲
7. Position the boom level and fully retracted
8. Referring to the Stability Chart (drawing 20907) rotate the crane to a position between 1 and 2 o'clock (truck cab is facing 12 o'clock) to begin testing.
9. Use the winch to lift the Test Weight; DO NOT allow the weight to be more than 6" off the ground at any time during testing (for safety).
10. Using the test weight, extend the boom slowly until one of three conditions occurs:
 - 10.1. Full extension is reached - Mark the ZONE in question **100%**
 - 10.2. The VLC system stops the boom extension - Mark the ZONE in question **100%**
 - 10.3. The truck becomes unstable i.e. a tire lifts off the ground
 - 10.3.1. Retract the boom until at least one tire on each corner of the truck is making contact with the ground
 - 10.3.2. Use the formula below to determine the allowable **% of Rated Capacity** for the ZONE in question:
11. Note: The **Max Stable Reach in inches** is measured from the **center of rotation** of the crane housing to the **lifting load hook**.

$$\% \text{ Rated Capacity} = \frac{\text{"Max Stable Reach" in inches}}{299} \times 100$$

12. Record the **% of Rated Capacity** in the appropriate blank (region) on the Crane Stability page (ref. 20907) and decal.
13. Repeat Steps 7 through 12 for each ZONE on the stability page.



VENCO VENTURO INDUSTRIES LLC
CINCINNATI, OHIO

TITLE

STABILITY TEST

DATE

07-09-24E

SECTION

C200

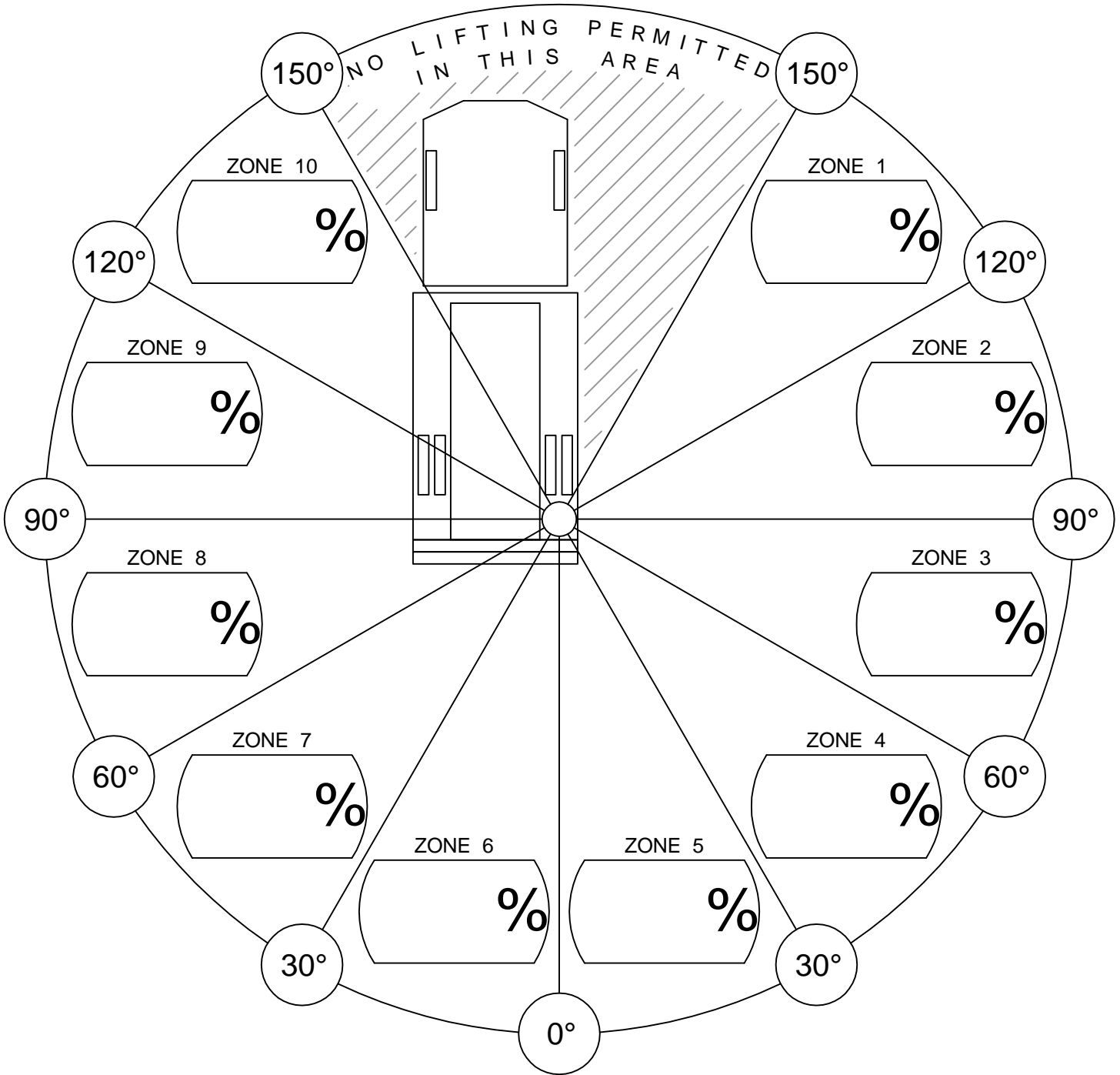
HT66-25'-VLC SERIES

SUPERSEDES

02-28-23D

20906-66V

CRANE STABILITY



% of Rated Capacity for each of the 10 regions are provided above.

CONDITIONS:

- STABILIZERS FULLY EXTENDED & DOWN, ON FIRM LEVEL GROUND.



VENCO VENTURO INDUSTRIES LLC
CINCINNATI, OHIO

TITLE
STABILITY CHART

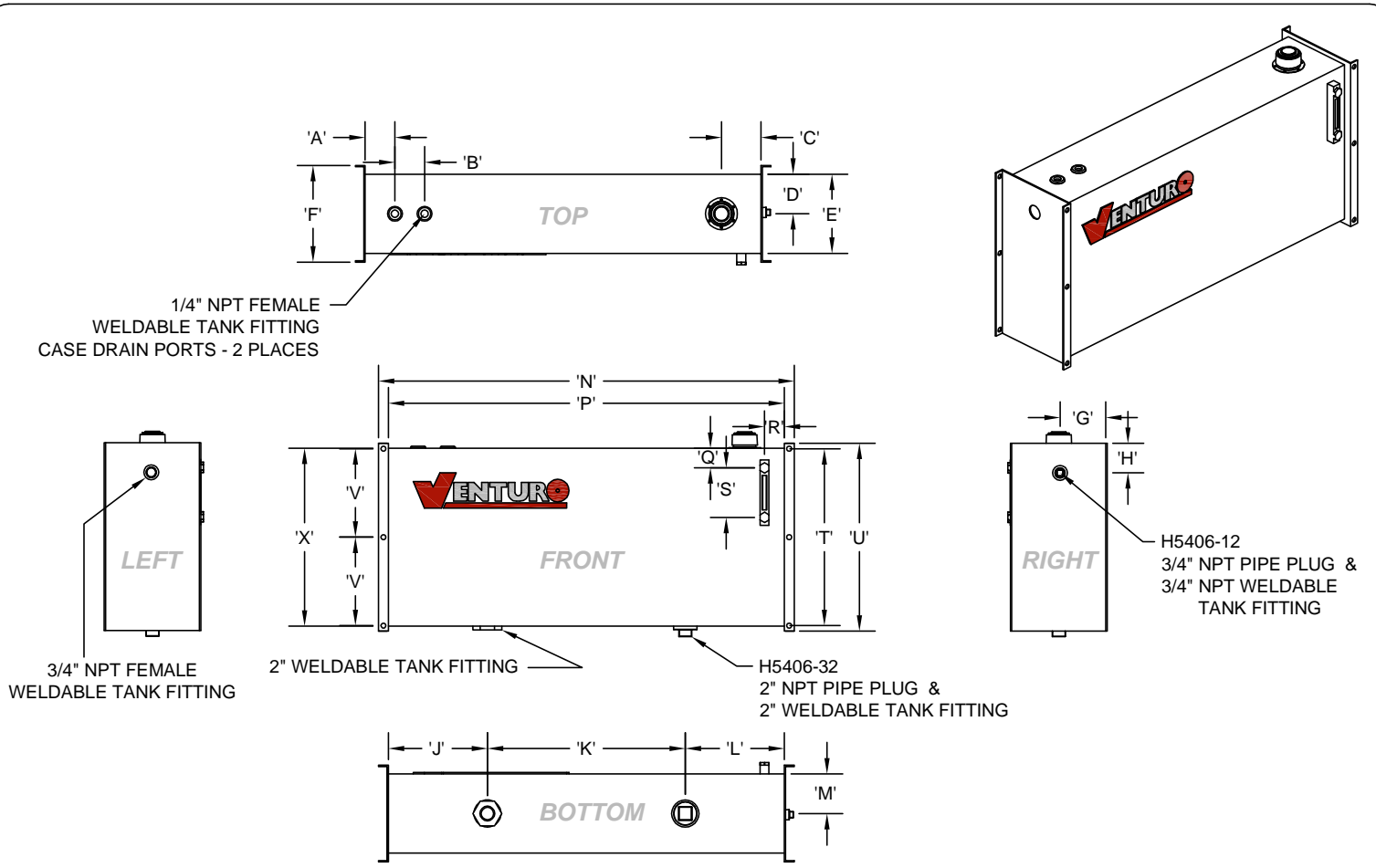
VENTURO CRANES

DATE
05-11-17F

SUPERSEDES
02-21-14E

SECTION
C200

20907



ILLUSTRATIONS FOR REFERENCE ONLY!
 - COMPONENT LOCATIONS MAY DIFFER -

HYD. TANK DIMENSION (HTD) CHART			
DIMENSION	PART NO.	22786 (25 GAL.)	22999 (40 GAL.)
'A'		3"	3"
'B'		3"	3"
'C'		4"	4"
'D'		4"	5.5"
'E'		8"	11"
'J'		5"	6"
'K'		30"	30"
'L'		5"	6"
'M'		4"	5.5"
'P'		40"	42"
'Q'		2"	2"
'R'		2"	2"
'S'		5"	5"
'X'		18"	20"

MEASUREMENTS EXCLUDE MOUNTING APARATUSES

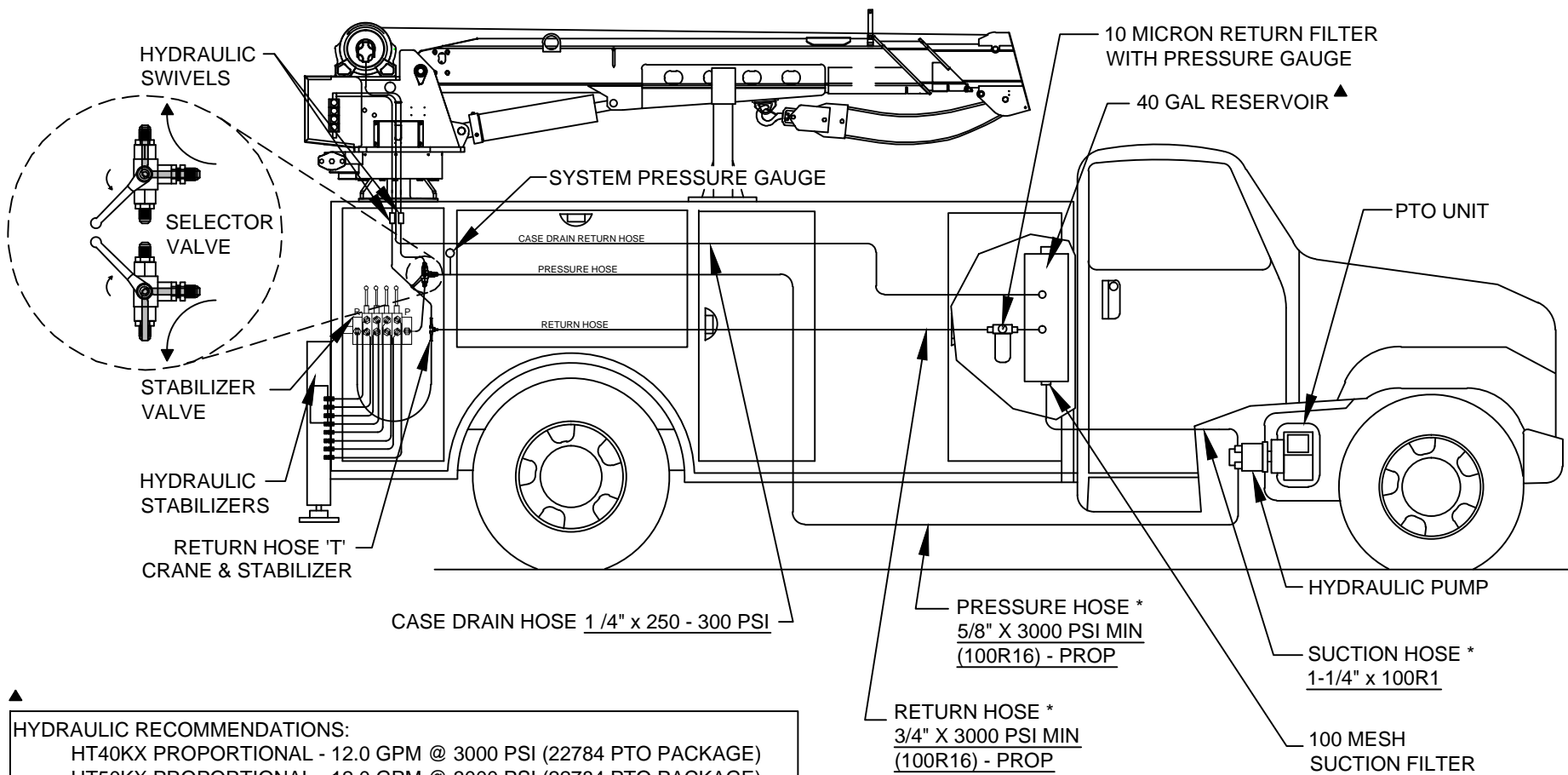
MOUNTING DIMENSION (TMD) CHART			
DIMENSION	PART NO.	22786 (25 GAL.)	22999 (40 GAL.)
'F'		9.75"	12"
'G'		4.875"	6"
'H'		3"	3"
'N'		42"	44"
'T'		17.875"	19.875"
'U'		19"	21"
'V'		8.938"	9.938"

MEASUREMENTS INCLUDE MOUNTING APARATUSES



VENCO VENTURO INDUSTRIES LLC
 CINCINNATI, OHIO

TITLE	DATE	SECTION
RESERVOIR DIMENSIONS	02-21-14E	C200
HYD. TANKS (25/40 GAL.)	SUPERSEDES 06-04-13D	22825



HYDRAULIC RECOMMENDATIONS:

- HT40KX PROPORTIONAL - 12.0 GPM @ 3000 PSI (22784 PTO PACKAGE)
- HT50KX PROPORTIONAL - 12.0 GPM @ 3000 PSI (22784 PTO PACKAGE)
- HT45KX - 12.0 GPM @ 3000 PSI (22998 PTO PACKAGE)
- HT55KX - 12.0 GPM @ 3000 PSI (22998 PTO PACKAGE)
- HT60KX - 12.0 GPM @ 3000 PSI (22998 PTO PACKAGE)
- HT66KX - 12.0 GPM @ 3000 PSI (22998 PTO PACKAGE)

CAUTION

- SELECTOR VALVE MUST BE 'NON-CLOSED CENTER TRANSITION' TYPE.

REFER TO SECTION 200 FOR MORE INFORMATION ON INSTALLING HYDRAULIC COMPONENTS.

* HOSES AND FITTINGS BETWEEN PUMP, RESERVOIR, AND CRANE *NOT INCLUDED*.

CAUTION

- THE CASE DRAIN LINE FROM THE WINCH MUST HAVE AN UNRESTRICTED PATH TO TANK/RESERVOIR.



VENCO VENTURO INDUSTRIES LLC
CINCINNATI, OHIO

TITLE

HYDRAULIC COMPONENT INSTALLATION

HT40-66, PROPORTIONAL

DATE

07-15-24H

SUPERSEDES

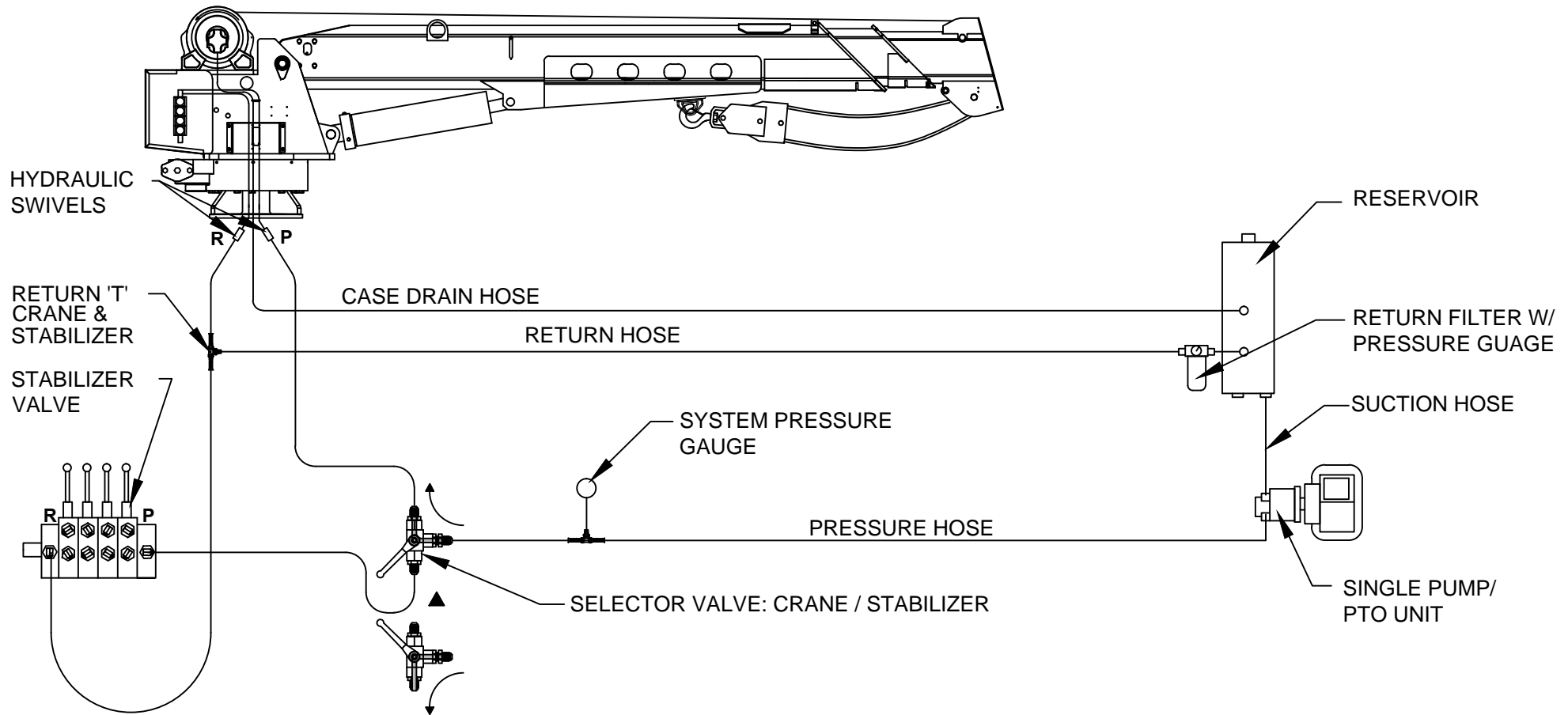
08-08-23G

SECTION

C200

22883

HYDRAULIC CIRCUIT CONNECTION GUIDE - SINGLE PUMP (NO COMPRESSOR)
 (REFER TO SECTION 200 FOR MORE INFORMATION, INCLUDING HOSE SPECIFICATIONS)



CAUTION

- SELECTOR VALVE MUST BE 'NON-CLOSED CENTER TRANSITION' TYPE.

CAUTION

- THE CASE DRAIN LINE FROM THE WINCH MUST HAVE AN UNRESTRICTED PATH TO TANK/ RESERVOIR.



VENCO VENTURO INDUSTRIES LLC
 CINCINNATI, OHIO

TITLE
CONNECTION GUIDE, PAGE 1 / 2

HT CRANES

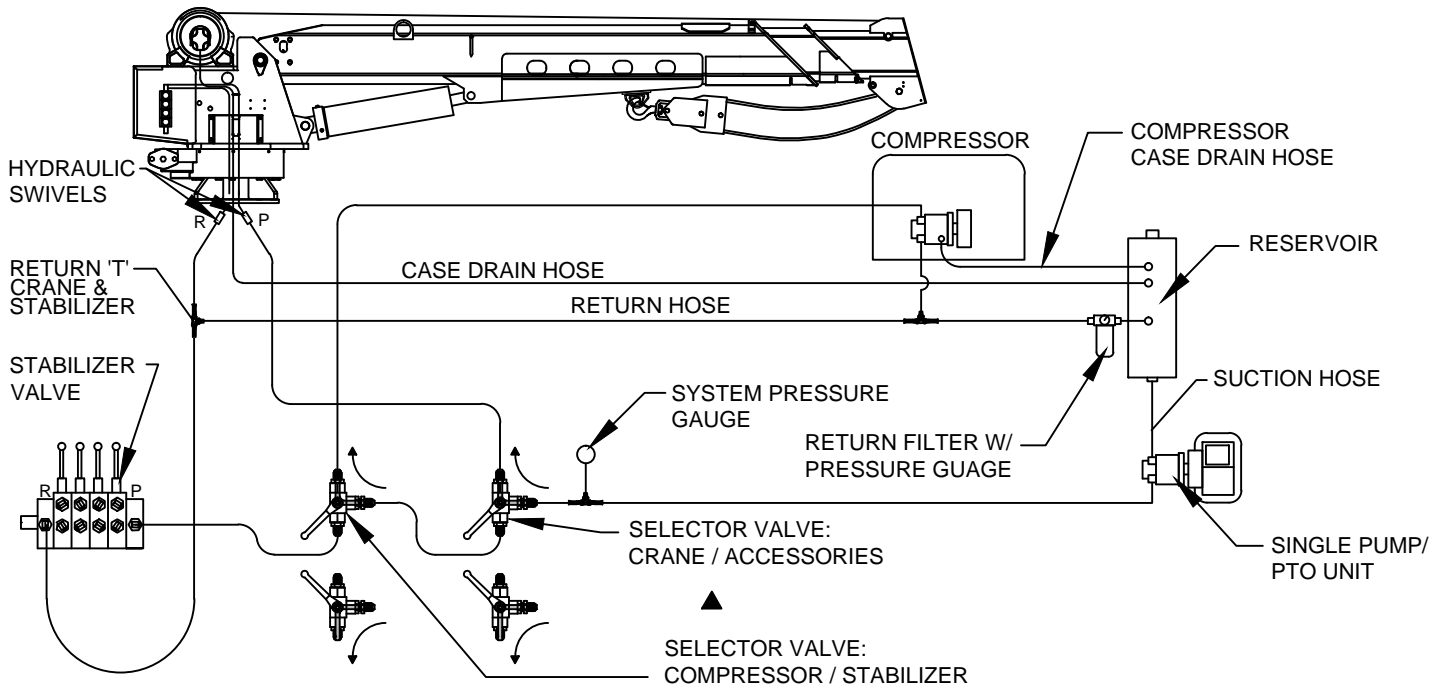
DATE
 08-09-23C

SUPERSEDES
 02-21-14B

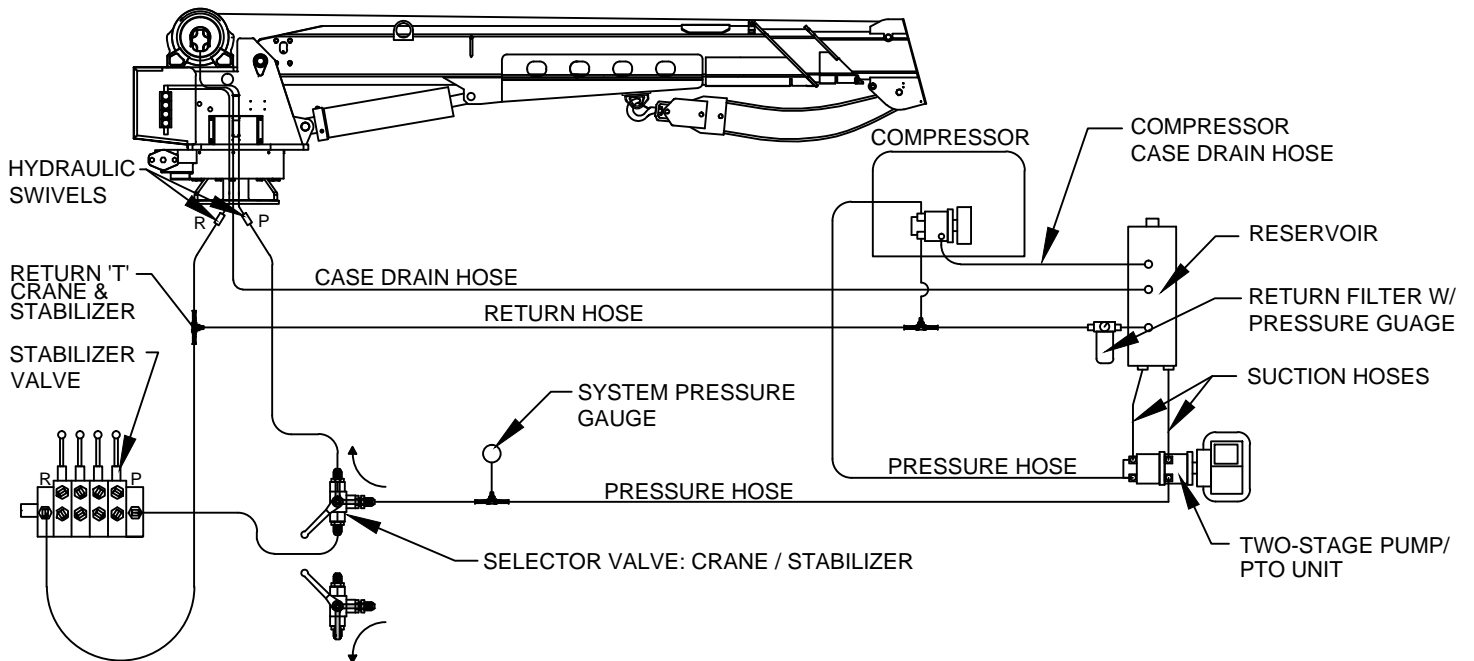
SECTION
 C200

23015

HYDRAULIC CIRCUIT CONNECTION GUIDE - SINGLE PUMP W/ COMPRESSOR



HYDRAULIC CIRCUIT CONNECTION GUIDE - TWO-STAGE PUMP W/ COMPRESSOR



CAUTION

- SELECTOR VALVE MUST BE 'NON-CLOSED CENTER TRANSITION' TYPE.

REFER TO SECTION 200 FOR MORE INFORMATION, INCLUDING HOSE SPECIFICATIONS



CAUTION

- THE CASE DRAIN LINE FROM THE WINCH MUST HAVE AN UNRESTRICTED PATH TO TANK/ RESERVOIR.



VENCO VENTURO INDUSTRIES LLC
CINCINNATI, OHIO

TITLE
CNNCTN GDE, PAGE 2/2

HT CRANES

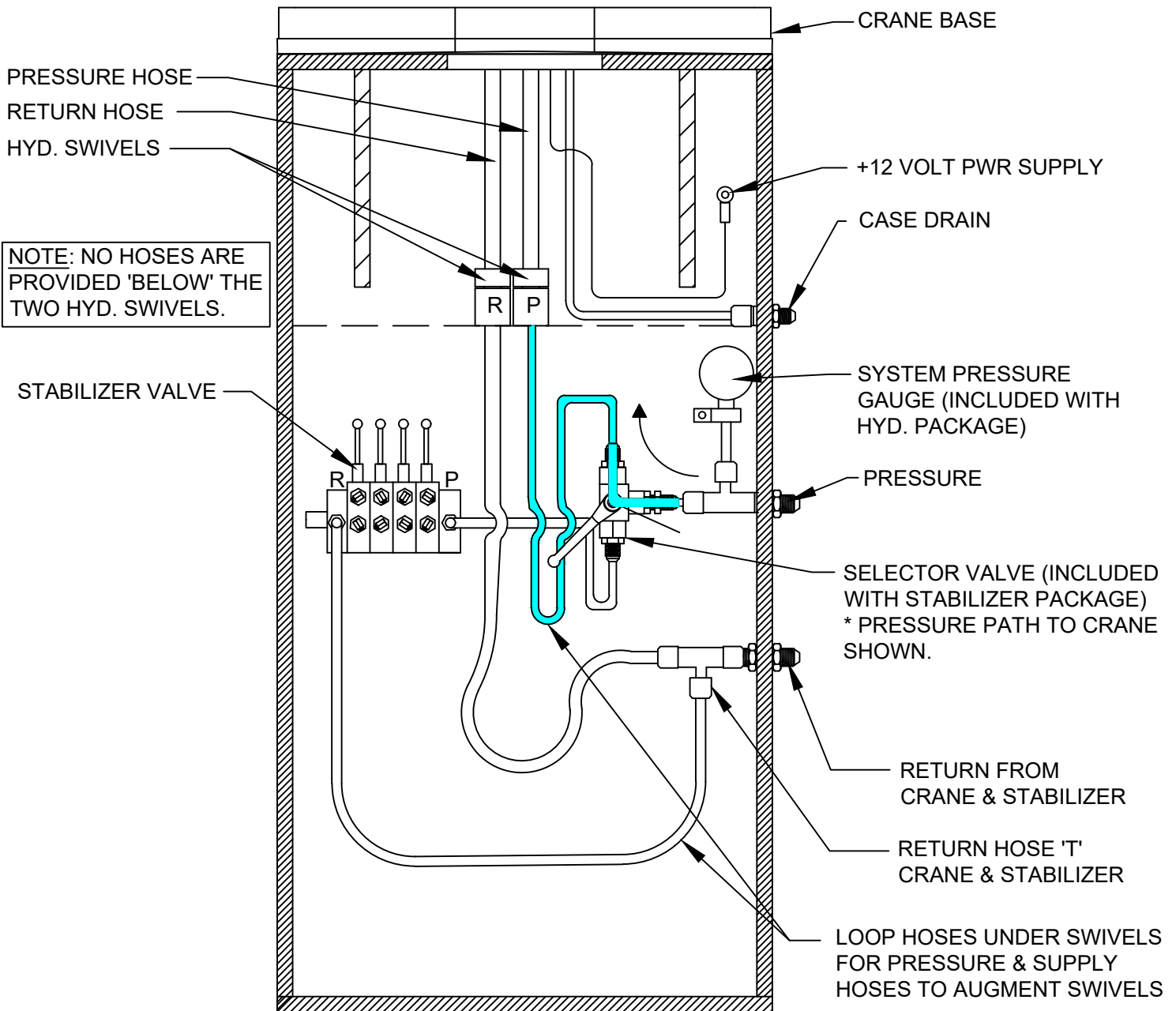
DATE
08-08-23C

SUPERSEDES
02-21-14B

SECTION
C200

23014

RECOMMENDED SUPPLY & RETURN HOSE CONNECTIONS CRANE & STABILIZERS



CAUTION

- SELECTOR VALVE MUST BE 'NON-CLOSED CENTER TRANSITION' TYPE VALVE.

CAUTION

- CASE DRAIN MUST RETURN DIRECTLY TO RESERVOIR WITHOUT RESTRICTION.

WIRE ROPE INSTALLATION

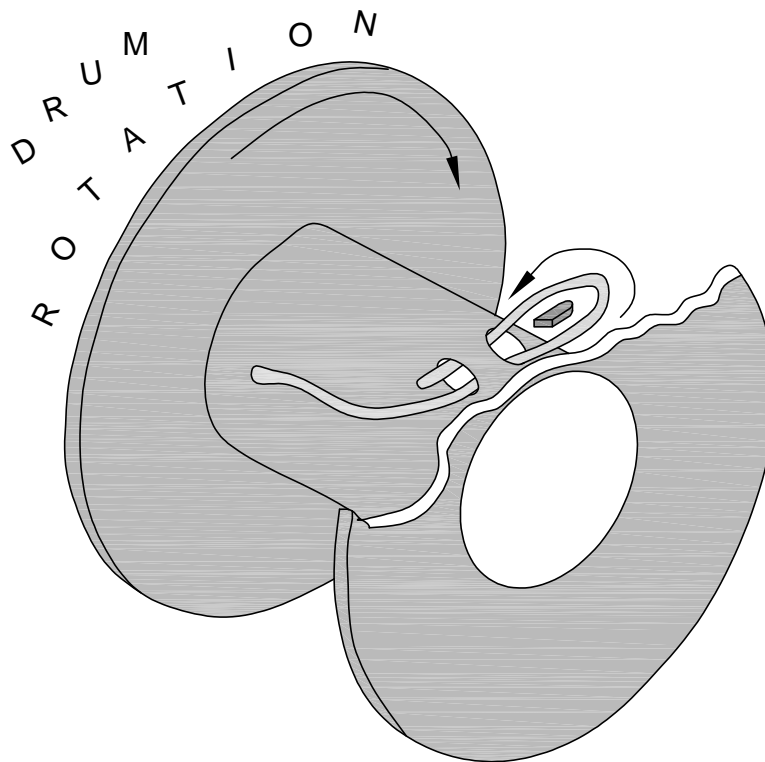


FIG. 1

- STEP 1: UNWIND COIL OF WIRE ROPE BY 'ROLLING' ALONG THE FLOOR. THIS WILL PREVENT 'KINKING'.
- STEP 2: INSERT WIRE ROPE END UP THROUGH ANTI-2-BLOCK (A2B) CAGE ASSEMBLY, BETWEEN CHEEK PLATES, OVER THE TOP SHEAVE, AND THROUGH WIRE ROPE GUIDE.
- STEP 3: INSERT WIRE ROPE END INTO POCKET OPENING ON WINCH, WRAP AROUND WEDGE, AND BACK THROUGH POCKET OPENING AS SHOWN IN FIGURE 1.



CAUTION

- IF THE WIRE ROPE IS NOT INSTALLED FOR THE CORRECT DRUM ROTATION, THE WINCH BRAKE VALVE WILL NOT HOLD THE LOAD.



CAUTION

- THERE MUST ALWAYS BE AT LEAST [5] DEAD WRAPS OF WIRE ROPE ON THE WINCH DRUM WHILE UNDER LOAD.

NOTE: SOME WINCHES MAY BE SUPPLIED WITH A HEX NUT IN LIEU OF A WEDGE FOR INSTALLING THE WIRE ROPE.



VENCO VENTURO INDUSTRIES LLC
CINCINNATI, OHIO

TITLE

WIRE ROPE INSTALLTN

DATE

02-21-14K

SECTION

C200

ET6K & LARGER CRANES

SUPERSEDES

12-26-13J

22245

SECTION 300

OPERATION

&

MAINTENANCE



VENCO VENTURO INDUSTRIES LLC
CINCINNATI, OHIO

MAINTENANCE OVERVIEW INFORMATION

MAINTENANCE

The crane requires only periodic lubrication. As a standard procedure, this can be done at the time the vehicle is serviced.

GENERAL

Inspect wire rope for any evidence of kinks or fraying. Ensure that lifting hook of wire rope shows no evidence of damage and is functioning normally.

Inspect headache ball ("load block") for any signs of damage or excessive wear.

Service all grease fitting locations.

Inspect hydraulic hoses and hydraulic fittings for hydraulic leaks.

Inspect electrical connections for any looseness or corrosion.

Inspect bolts and verify all are tight, paying particular attention to winch, rotation system, and mounting base bolts.

Inspect all pins and snap rings for proper fit and function.

Inspect sheaves for excessive wear or play.

Perform a basic inspection of the winch with each use, monitoring for unusual noise or hydraulic leaks.



VENCO VENTURO INDUSTRIES LLC
CINCINNATI, OHIO

TITLE	DATE	SECTION
MAINTENANCE INFO	06-11-24E	C300
HT25/30/40/50/60/66KX(P)	SUPERSEDES 11-10-22D	23203

CRANE OPERATION AND MAINTENANCE INSTRUCTIONS ▲

SAFETY

Before operating this crane, read and understand these instructions, the 920612 Crane Safety and Hazards Information Sheet, and review all safety & instruction labels on the crane.

CRANE INSPECTION

Before operating this crane, inspect for wear, damage, or oil leakage. After the wire rope has been run out, check for wear, kinks, and broken strands. Check the hook and safety latch for damage. Correct any problems before using the crane.

See Crane Safety Manual for proper inspection schedules and reports .

CAPACITY

Before operating this crane, review the capacity charts on the sides of the boom to relate the load to be lifted to the boom length and angle. The boom angle is shown by a gravity arrow.

LOAD BLOCK ▲

If the load exceeds the single-line rated load or if reduced winching speed for better control of smaller loads is required, use the load block to rig the crane for two part line operation.

CONTROLS ▲

The control pendant should be stored in a compartment or the cab when the crane is not in use.

Before activating the control pendant, inspect the cord(s) and pendant head/switches for damage. With the pendant OFF and the PTO disengaged, actuate all switches in both directions to verify that they all have the same feel/sound and return to the center position.

PTO SYSTEM ▲

Check the hydraulic fluid level in the PTO system reservoir. Engage PTO and set the engine speed to provide the desired hydraulic flow rate per the PTO system instructions.

CRANE OPERATION

Use "Winch Down" to release tension on the wire rope to unhook it from the storage tie down position.

Use "Boom Up" to elevate the boom from the boom rest position.

Avoid repeated rapid reversals of the control switches. This can cause the load to swing.

Check all control functions to see that they are working as described in the following section.



VENCO VENTURO INDUSTRIES LLC
CINCINNATI, OHIO

TITLE	DATE	SECTION
CRANE OP / MNTNC INST	08-08-23A	C200
HT CRANES ▲	SUPERSEDES	23753
	10-11-18	

CONTROL FUNCTIONS

- WINCH "UP" and "DOWN" - Raises and lowers the load with the winch.
- BOOM "UP" and "DOWN" - Raises and lowers the boom elevation angle.
- BOOM "OUT" and "IN" - Extends and retracts the boom.
- ROTATION "L" and "R" - Controls the left and right direction of the crane rotation.
- TRIGGER - Varies the flow rate delivered to the crane valve. The farther the trigger is pulled, the faster the selected crane function operates.

CRANE OPERATION (with VLC TRANSMITTER) [▲]


- Turn master crane power ON.
- Disengage the E-STOP.
- Actuate the HORN toggle switch.
- Select the crane function toggle switch to be actuated.
- Pull the proportional trigger to control the speed of the selected crane function.
- NOTE: For safety reasons, the crane function toggle switch must be selected *before* pulling the proportional trigger or the crane will not operate.

VLC OVERLOAD SENSING SYSTEM

This crane is equipped with the Venturo Logic Control (VLC) overload sensing system. If the capacity of the crane is exceeded, the "Winch Up", "Boom Down", and "Boom Out" functions will be shut down. The "Winch Down", "Boom Up", and "Boom In" functions will continue to operate and can be used to relieve the overload condition. The "Rotation" function also will continue to operate.

TWO-BLOCK SENSING SYSTEM

This crane is equipped with an anti two-block device that is mounted at the tip of the boom. If the load block / overhaul weight contacts the device the "Winch Up", "Boom Down", and "Boom Out" functions are disabled. The "Winch Down", "Boom Up", and "Boom In" functions will continue to operate and can be used to relieve the two-block condition.

 VENTURO [®] VENCO VENTURO INDUSTRIES LLC CINCINNATI, OHIO	TITLE	DATE	SECTION
	CRANE OP / MNTNC INST	06-12-25G	C200
	HT VLC SERIES	SUPERSEDES 06-26-24F	23754

TRUCK SETUP & STABILIZERS

1. The truck should be parked on firm level ground.
2. The center of the crane should be positioned close enough to the job so that it can be operated at a reach that puts the load within the rated capacity of the crane.
3. Set the vehicle parking brake and put the vehicle transmission in "park" if it is an automatic.
4. Fully deploy stabilizers to help stabilize vehicle against rocking or overturning.
5. Use stabilizers to level vehicle only. Tires must maintain contact with ground.

PREPARATION FOR TRAVEL

1. Return the stabilizers to the stowed position. Install and secure all pins.
2. Stow the crane boom in the boom support.
3. Hook the winch line to a tie down point on the body or pedestal and apply tension.
4. Disengage the PTO pump and idle speed control.
5. Power down the control pendant and store in a body compartment or the cab.
6. Turn OFF power to crane.

MAINTENANCE - MODEL-SPECIFIC INFORMATION

The winch planetary gearbox lube should be maintained at the level plug.

To ensure optimal winch performance, the following lube schedule and lube specifications should be followed:

Initial Change - after 6 months or 100 hours of operation (whichever comes first).

Periodic Change - every 24 months or 300 hours of operation (whichever comes first).

HLP 46 or HLP 68 hydraulic oil

Service grease fittings and rotation gear with molybdenum-disulfide graphite-filled lithium-based extreme pressure grease.

Grease fitting locations:

- Boom pivot at rear of boom
- Slew drive (2 zerk fittings)
- Swing bearing race (1 zerk fitting)
- Elevation cylinder base and rod pivots



VENCO VENTURO INDUSTRIES LLC
CINCINNATI, OHIO

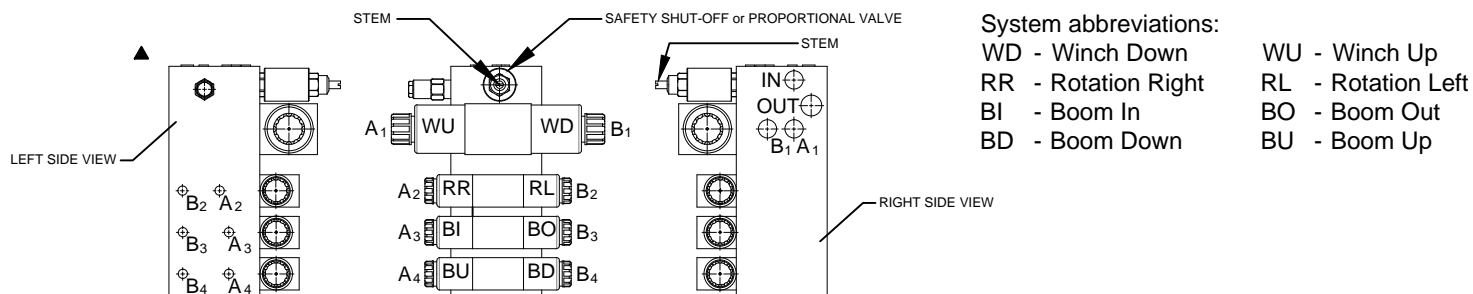
TITLE	DATE	SECTION
CRANE OP / MNTNC INST	07-08-24B	C300
HT60/66 VLC SERIES	SUPERSEDES 10-26-23A	28436

EXPLANATION OF HYDRAULIC VALVE SYSTEMS

OVERVIEW

Venturo's hydraulic cranes are available in two [2] general configurations: Proportional and Non-Proportional. The **Non-Proportional** configuration utilizes a safety shut-off valve which, when **not** actuated, allows hydraulic fluid to bypass the valve bank and return to tank; the crane will not function when the safety shut-off valve is not actuated. When the safety shut-off valve is actuated (control pendant energizes the coil or the coil is manually overridden), hydraulic fluid cycles through the valve bank and allows the crane to function. The **Proportional** configuration utilizes a proportional valve which, in its fully closed and fully opened positions, functions similarly to the safety shut-off valve, but adds the ability to operate the crane at any speed in between these two extremes.

In both the Non-Proportional and Proportional configurations, the four [4] crane functions (winch, rotation, boom elevation, and boom extension) are controlled by four [4] separate valve sections. Each valve section has two [2] solenoid coils (and two [2] manual overrides) which control the direction that the function operates (e.g. winch up vs. winch down). For a given crane function and direction (e.g. winch up), the solenoid coil and the associated manual override lie on the same side of the valve bank (both 'push').



MANUAL OVERRIDE SYSTEM

Should an electrical failure occur, your Venturo crane can be operated manually. **The manual overrides are intended for emergency use only and should not be used for normal operation.**

To operate in manual override mode:

- Override the safety shut-off or proportional valve by turning the red stem on the valve as stated below:

Non-Proportional system

For override operation, press stem in and rotate counter-clockwise until it stops.
 To return to normal operation, press stem in and rotate clockwise until it stops.

Proportional system

For override operation, rotate stem clockwise (the farther the stem turns, the faster the crane operates).
 To return to normal operation, rotate stem counter-clockwise until it stops.

- Determine the coil / override associated with the function you wish to operate, then insert a small diameter object (an Allen wrench works well) into the detent on the end of the valve stem and press firmly. For example, pushing the stem labeled 'A1' on the first bank (see illustration above) will actuate Winch Up.



W A R N I N G



- For normal crane operation, the safety shut-off or proportional valve **MUST** be in the 'normal' position (as described above). Test the crane before each use by placing the power toggle switch or trigger in the 'OFF' position and testing each crane function *using the manual overrides*. If any crane function operates, verify that the red stem on the safety shut-off or proportional valve is in the normal position, then retest.



VENCO VENTURO INDUSTRIES LLC
CINCINNATI, OHIO

TITLE
HYDRAULIC SYSTEM

DATE
05-01-25A

SECTION
C200

HT SERIES CRANES

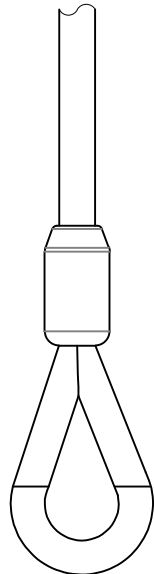
SUPERSEDES
04-23-24

26934

WIRE ROPE ASSEMBLY

WIRE ROPE:

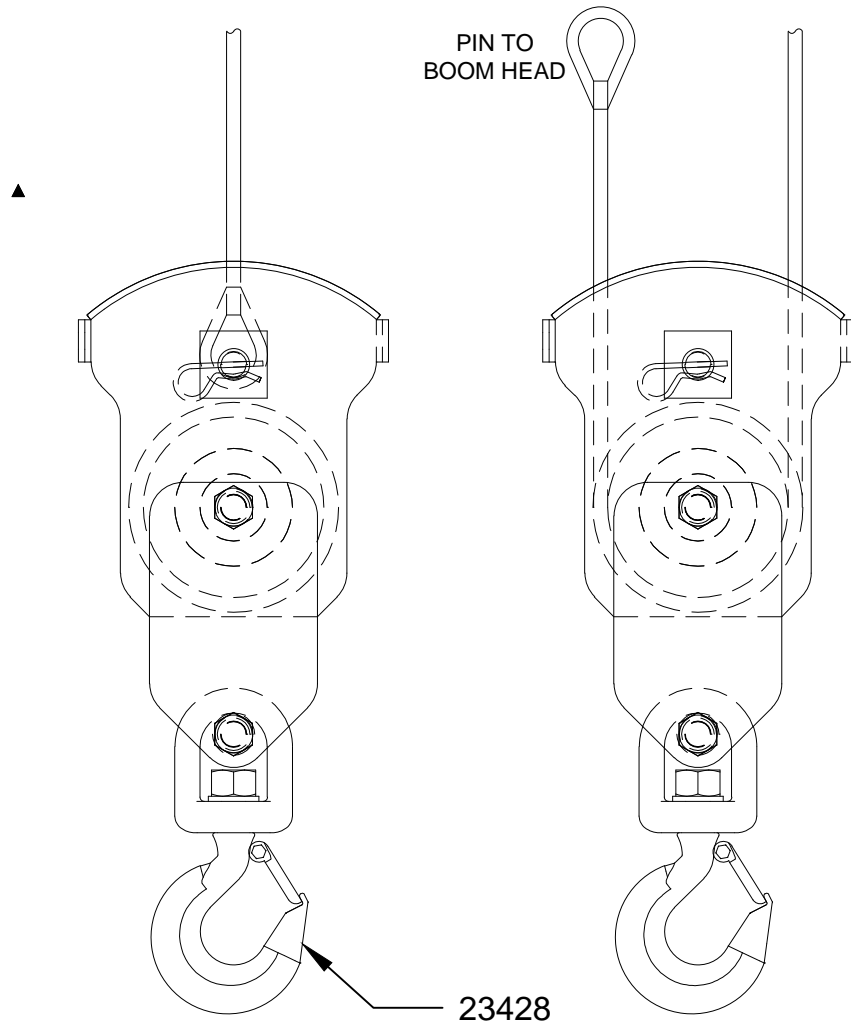
- 7/16" DIA, 100' LONG
- DRAWN GALVANIZED STEEL WIRE ROPE
- WIRE ROPE CAPACITY EXCEEDS 21,000 LBS



LOAD BLOCK ASSEMBLY

SINGLE LINE

TWO-PART LINE



HOOK RATING: 7 METRIC TONNES (15,432 LBS)



VENCO VENTURO INDUSTRIES LLC
CINCINNATI, OHIO

TITLE

WIRE ROPE, HOOK, & LOAD BLOCK INFORMATION

HT66KX

DATE

05-12-25A

SUPERSEDES

04-07-23

SECTION

C300

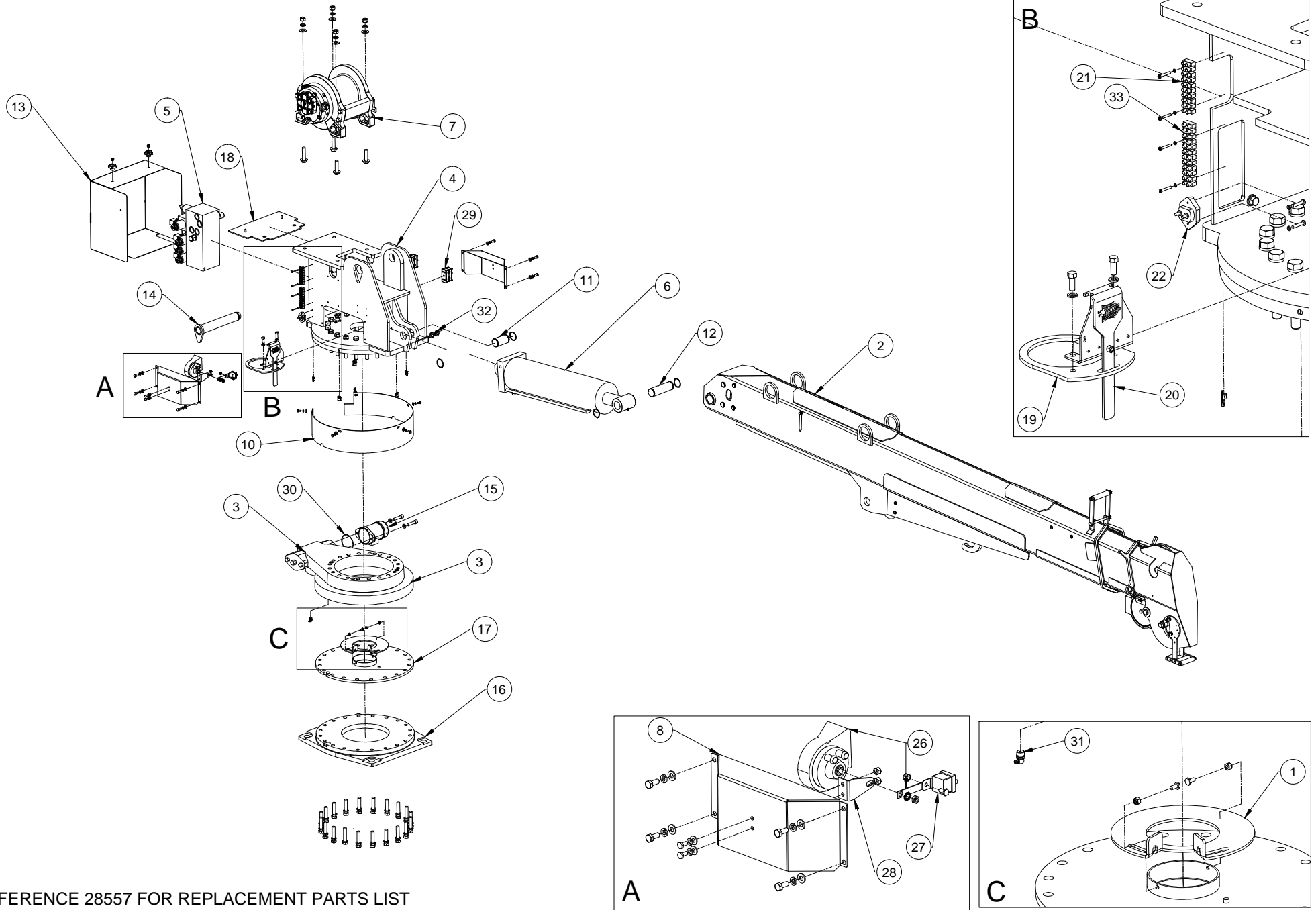
28481

SECTION 400

REPLACEMENT PARTS



VENCO VENTURO INDUSTRIES LLC
CINCINNATI, OHIO



REFERENCE 28557 FOR REPLACEMENT PARTS LIST



VENCO VENTURO INDUSTRIES LLC
CINCINNATI, OHIO

TITLE
REPLACMENT PARTS DRWNG - MECHANISM
HT66KX VLC SERIES

DATE
07-10-24
SUPERSEDES
-

SECTION
C400
28556

REPLACEMENT PARTS LIST - HT66KX VLC SERIES; MECHANISM

ITEM	QTY.	PART NUMBER	DESCRIPTION
1	1	23666	STOP DISK - ELECTRIC ROTATION STOP
2	1	27260	BOOM FINAL ASSEMBLY
3	1	27275	SLEWING RING
4	1	24930	WELDED ASSEMBLY; HOUSING, MECHANISM
5	1	22736H-1	VALVE MANIFOLD; HI FLOW, 3000 PSI
6	1	21750	6 X 20.125 CYLINDER
7	1	27274	HYDRAULIC WINCH
8	2	27400	HOUSING SIDE COVER
9	-	-	-
10	1	27406	SLEWING RING COVER
11	1	27502	ELEVATION CYLINDER PIN - INBOARD
12	1	27503	ELEVATION CYLINDER PIN - OUTBOARD
13	1	27505	REAR COVER
14	1	22721	PIVOT PIN - MAIN BOOM PIVOT
15	1	27276	HYDRAULIC ROTATION MOTOR
16	1	28470	MACHINED BASE
17	1	28473	SLIPPER PLATE WELD
18	1	28318	REAR COVER MOUNTING PLATE
19	1	23680	HOUSING WATER DAM
20	1	28474	ELECTRIC ROTATION STOP ASSEMBLY

ITEM	QTY.	PART NUMBER	DESCRIPTION
21	1	19187-10	TERMINAL STRIP; 10 SECTIONS
22	1	15683-20A	CIRCUIT BREAKER; 20A
23	-	-	-
24	-	-	-
25	-	-	-
26	1	21948	HORN
27	1	22739	HIGH CAPACITY RELAY
28	1	22000	BRACKET; HORN
29	2	27307	CLAMP ASSY; HOSE / TUBING
30	1	OR-152-5	O-RING; ROTATION MOTOR
31	1	IZERK-013-27 NPT-90	FITTING; GREASE, 90°
32	2	26586	GROMMET - RUBBER
33	1	19187-12	TERMINAL STRIP
34	-		
35	-		
36	-		
37	-		
38	-		
39	-		
40	-		

REFERENCE 28556 FOR REPLACEMENT PARTS DRAWING



VENCO VENTURO INDUSTRIES LLC
CINCINNATI, OHIO

TITLE

REPLACEMENT PARTS LIST - MECHANISM

HT66KX VLC SERIES

DATE

07-10-24

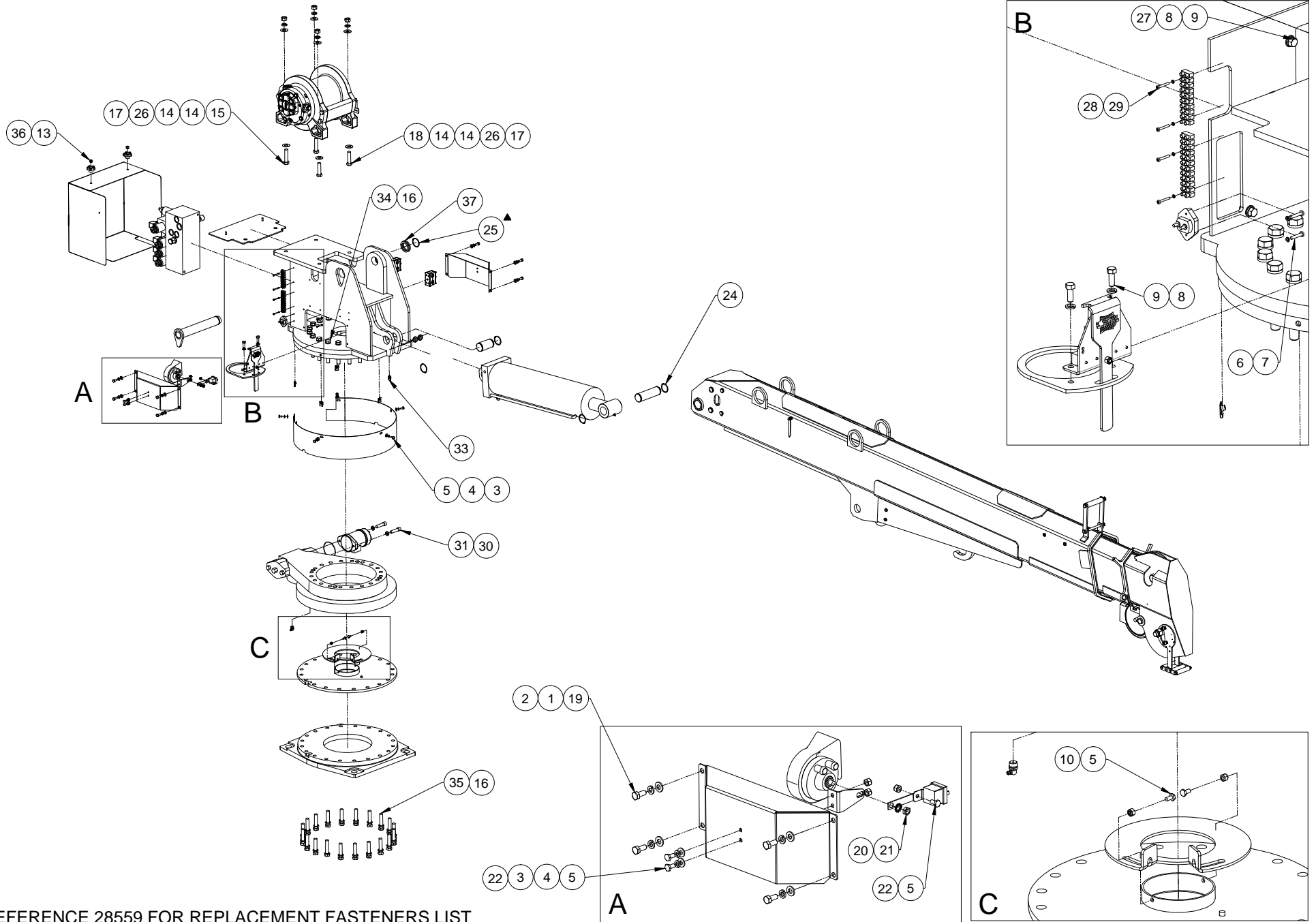
SUPERSEDES

-

SECTION

C400

28557



REFERENCE 28559 FOR REPLACEMENT FASTENERS LIST



VENCO VENTURO INDUSTRIES LLC
CINCINNATI, OHIO

TITLE
REPLACEMENT FASTENERS DWG - MECH
HT66KX VLC SERIES

DATE
08-26-25A
SUPERSEDES
07-10-24

SECTION
C400
28558

REPLACEMENT FASTENERS LIST - HT66KX VLC SERIES; MECHANISM

ITEM	QTY.	PART NUMBER	DESCRIPTION
1	8	!LWSH-031S	LOCK WASHER; 5/16, S/S
2	8	!FWSH-031S	FLAT WASHER; 5/16, S/S
3	7	!FWSH-025S	FLAT WASHER; 1/4, S/S
4	7	!LWSH-025S	LOCK WASHER; 1/4, S/S
5	10	!HHCS02520050S	HHCS; 1/4"-20 x 1/2, S/S
6	2	!LWSH-#10S	LOCK WASHER; #10, S/S
7	2	!SHCS#0832100S	SHCS; #10-32 X 1, S/S
8	4	!LWSH-038	LOCK WASHER; 3/8, ZINC
9	4	!HHCS03816100	HHCS; 3/8-16 X 1, ZINC
10	2	!LNUT-02520	LOCK NUT; 1/4-20, NYLON, ZINC
11	-	-	-
12	-	-	-
13	4	!LNUT-02520-H	LOCK NUT; 1/4-20, HVY PAT, NYLON
14	8	!FWSH-063	FLAT WASHER; 5/8, GR. 8
15	2	!HHCS06311275	HHCS; 5/8-11 X 2-3/4, GR 8
16	40	!LWSH-063	LOCK WASHER; 5/8, GR. 5, ZINC
17	4	!HNUT-06311-8	HEX NUT; 5/8-11, GR. 8
18	2	!HHCS06311250-8	HHCS; 5/8-11 X 2-1/2 LG, GR 8
19	8	!HHCS03118075S	HHCS; 5/16-18 X 3/4, S/S
20	1	!LWSH-031-STAR	LOCK WASHER; 5/16, ZINC

ITEM	QTY.	PART NUMBER	DESCRIPTION
21	1	!HNUT-03118	HEX NUT; 5/16-18, ZINC
22	5	!LNUT-02520SS	NYLOCK HEX NUT 1/4-20
23	-	-	-
24	4	!SRNG-175	SNAP RING; 1-3/4, ZINC
25	1	24842-175	SPIRAL RETAINING RING - 1-3/4 - STAINLESS ▲
26	4	!LWSH-063	LOCK WASHER; 5/8, GR. 8, ZINC
27	2	!FWSH-038	FLAT WASHER; 3/8, ZINC
28	4	!LWSH-#06S	LOCK WASHER; #6. S/S
29	4	!PHPMS#0632100S	PHILIPS-HD PMS; #6-32 X 1, S/S
30	2	!LWSH-050-HC	LOCK WASHER; 1/2, HI-COLLAR
31	2	!SHCS05013200	SOCKET HEAD CAP SCREW - 1/2-13 X 2 LG
32	-	-	-
33	5	!UNUT-02520-LKG	U-NUT 1/4-20, LOCKING TYPE
34	20	!HHCS06311450	HHCS; 5/8-11 x 4-1/2, GR. 5, ZINC
35	20	!HHCS06311300	HHCS; 5/8-11 x 3, GR. 5, ZINC
36	2	28327	KNOB, HAND, 5-POINT
37	2	26609	SHIM - STAINLESS STEEL
38	-		
39	-		
40	-		

HHCS = HEX HEAD CAP SCREW, SHCS = SOCKET HEAD CAP SCREW, PMS = PAN MACHINE SCREW, S/S = STAINLESS STEEL

REFERENCE 28558 FOR REPLACEMENT FASTENERS DRAWING



VENCO VENTURO INDUSTRIES LLC
CINCINNATI, OHIO

TITLE

REPLACEMENT FASTENERS LIST - MECH

HT66KX VLC SERIES

DATE

08-26-25B

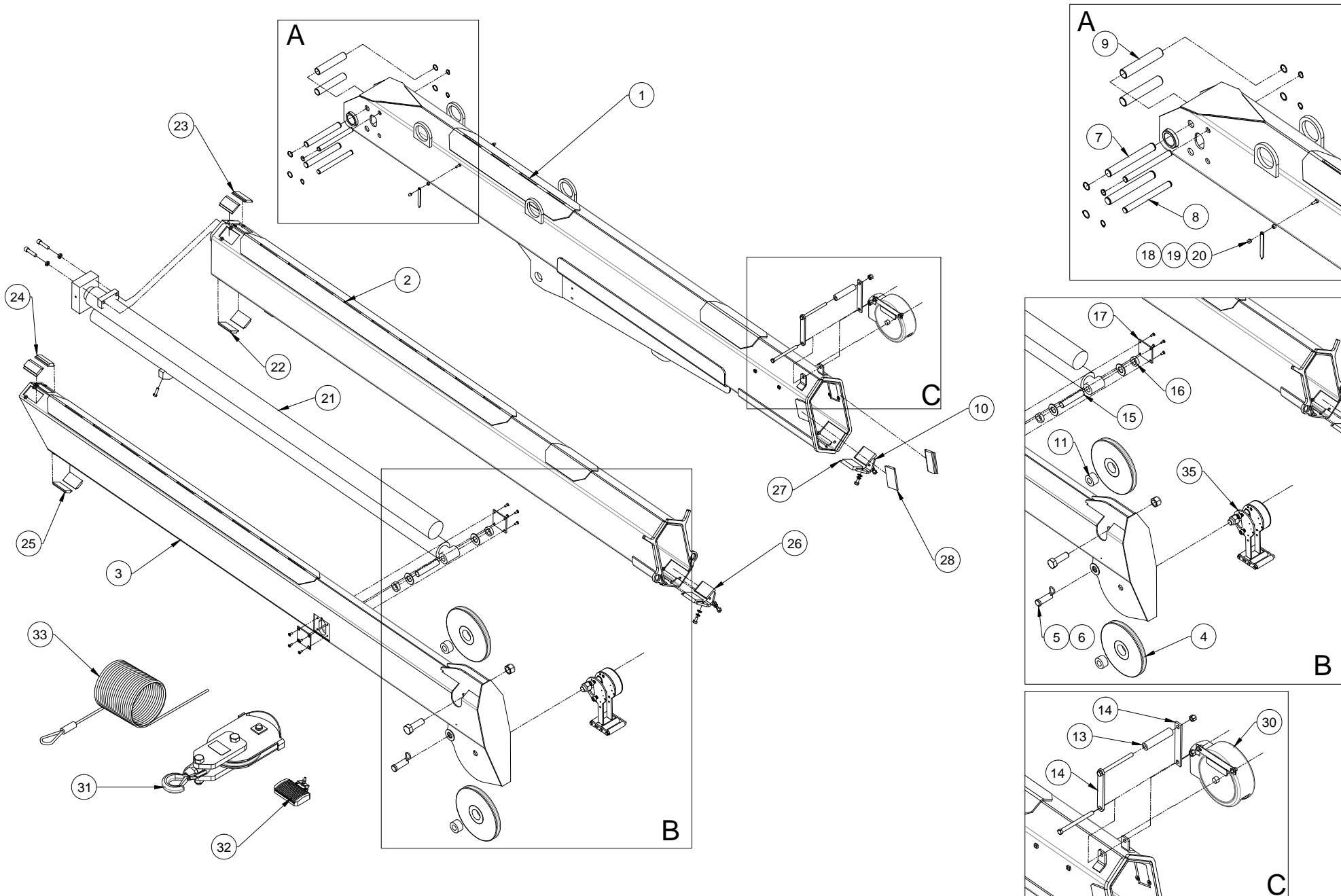
SUPERSEDES

07-31-24A

SECTION

C400

28559



REFERENCE 28565 FOR REPLACEMENT PARTS LIST

☼ ITEM #32 IS OPTIONAL, AND NOT INCLUDED WITH STANDARD EQUIPMENT



VENCO VENTURO INDUSTRIES LLC
CINCINNATI, OHIO

TITLE
RPLCMNT PARTS DRAWING - 24946 BOOM

DATE
07-10-24

SECTION
C400

HT66KX-25' VLC SERIES

SUPERSEDES
-

28564

REPLACEMENT PARTS LIST - HT66KX-25' VLC SERIES; 24946 BOOM

ITEM NO.	QTY.	PART NUMBER	DESCRIPTION
1	1	24945	WELDED ASSY; PRIMARY BOOM
2	1	27264	WELDED ASSY; SECONDARY BOOM
3	1	27266	WELDED ASSY; TERTIARY BOOM
4	2	27241	CABLE SHEAVE
5	1	27272	1X2.5 CLEVIS PIN
6	1	21-08	HAIRPIN COTTER
7	2	27282	THRUST PIN; REAR, EXTENSION CYLINDER
8	2	27293	THRUST PIN; FRONT, EXTENSION CYLINDER
9	2	27283	THRUST ROLLER; EXTENSION CYLINDER
10	2	23183	V-BLOCK SLIDER
11	2	27256	SPACER - FOR 27241 POLY SHEAVES
12	-	-	-
13	1	21560	ROLLER,UHMW GUIDE
14	2	21936	FLAT,MOUNT;WIRE ROPE GUIDE
15	1	21405	PIN - CYLINDER
16	2	21428	BUSHING
17	2	23116	PIN BLOCK REINFORCING
18	2	22490	SPACER, BOOM ARROW 1/2" O.D.
19	2	13459-2	BOOM ARROW 4-7/16 LONG
20	2	1ANUT-02520S	ACORN NUT 1/4-20 STAINLESS

ITEM NO.	QTY.	PART NUMBER	DESCRIPTION
21	1	21751	EXTENSION CYLINDER
22	2	23217-2	BOOM PAD; UHMW, 'A', 3.19 x 2.13 x 0.44
23	2	23217-12	BOOM PAD; UHMW, 'A', 3.19 x 2.13 x 0.50
24	2	23217-11	BOOM PAD; UHMW, 'A', 3.19 x 1.88 x 0.50
25	2	23217-1	BOOM PAD; UHMW, 'A', 3.19 x 1.88 x 0.44
26	2	23217-3	BOOM PAD; UHMW, 'B', 3.19 x 2.13 x 0.63
27	2	23217-4	BOOM PAD; UHMW, 'B', 3.19 x 2.50 x 0.63
28	2	23217-13	BOOM PAD; UHMW, 'A', 3.19 x 2.13 x 0.38
29	-	-	-
30	1	26577-4	CORD REEL ASSY (BLK/YEL PLASTIC CASE)
31	1	27254	LOAD BLOCK ASSEMBLY
☼32	1	27483	ASSY; WORK LIGHT, LED
33	1	28337-7/16-100	WIRE ROPE 7/16"-100'
34	-	-	-
35	1	27487	COMPACT A2B
36	-	-	-
37	-	-	-
38	-	-	-
39	-	-	-
40	-	-	-

REFERENCE 28564 FOR REPLACEMENT PARTS DRAWING

☼ OPTIONAL; NOT INCLUDED WITH STANDARD EQUIPMENT



VENCO VENTURO INDUSTRIES LLC
CINCINNATI, OHIO

TITLE

REPLACEMENT PARTS LIST - 24946 BOOM

HT66KX-25' VLC SERIES

DATE

11-25-24A

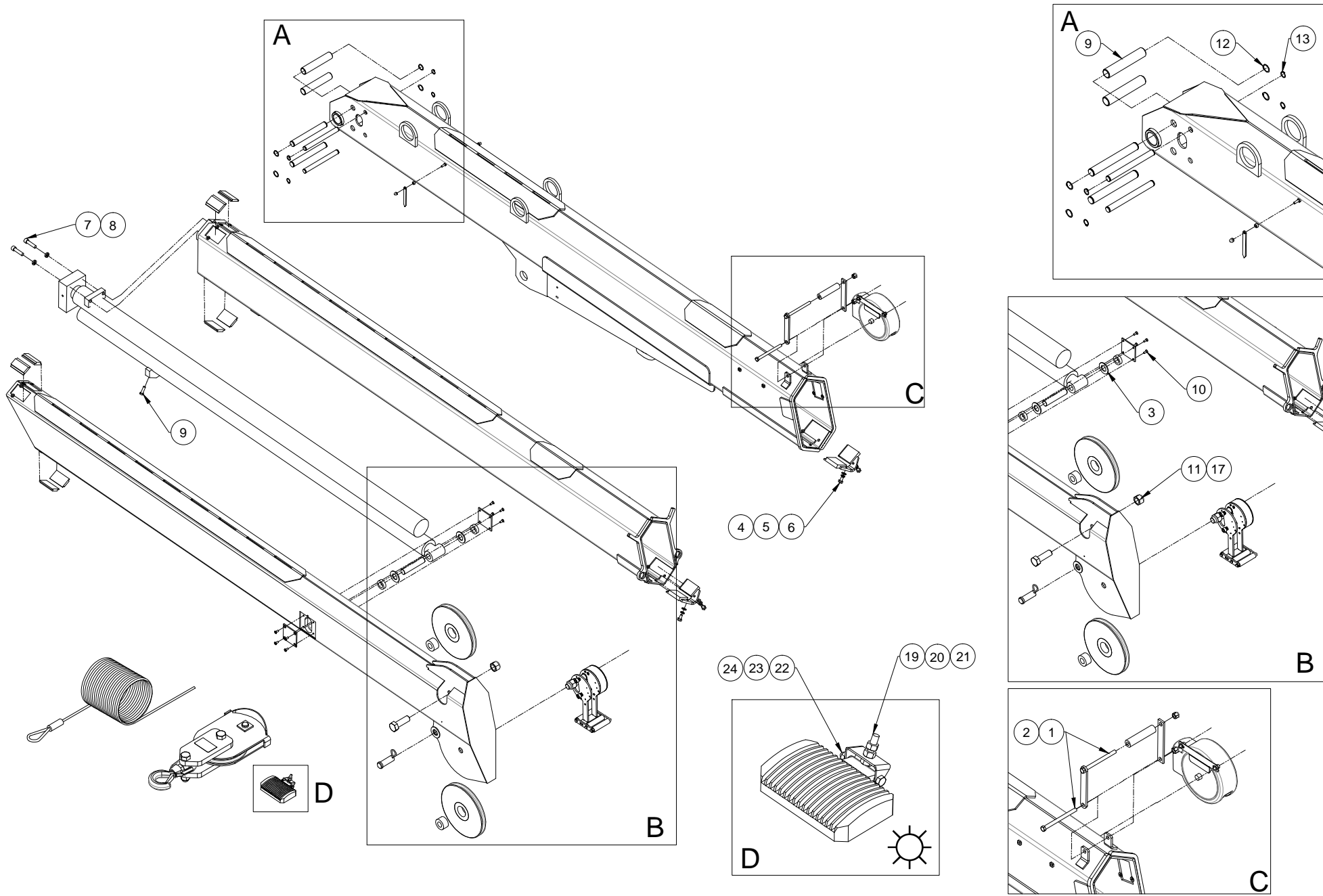
SUPERSEDES

07-10-24

SECTION

C400

28565



REFERENCE 28567 FOR REPLACEMENT FASTENERS LIST

⚙️ ITEMS #19-23 ARE FASTENERS FOR OPTIONAL COMPONENTS - NOT INCLUDED WITH STANDARD EQUIPMENT



VENCO VENTURO INDUSTRIES LLC
CINCINNATI, OHIO

TITLE
REPL FASTENERS DWG - 24946 BOOM

DATE
07-10-24

SECTION
C400

HT66KX-25' VLC SERIES

SUPERSEDES
-

28566

REPLACEMENT FASTENERS LIST - HT66KX-25' VLC SERIES; 24946 BOOM

ITEM NO.	QTY.	PART NUMBER	DESCRIPTION
1	2	!HHCS04414550	HHCS - 7/16-14 X 5-1/2 LG
2	2	!LNUT-04414	LOCK NUT; 7/16"-14 NYLON, GR. 5, ZINC-PLTD
3	3	12534-XX	ZINC PLATED MACHINERY BUSHINGS
4	4	!FWSH-038	FLAT WASHER; 3/8", ZINC-PLTD
5	4	!LWSH-038	LOCK WASHER; 3/8", ZINC-PLTD
6	4	!HHCS03816075	HHCS - 3/8-16" X 3/4
7	2	!LWSH-050-HC	LOCK WASHER; 1/2", HI-COLLAR
8	2	!SHCS05013200	SOCKET HEAD CAP SCREW - 1/2-13 X 2 LG
9	2	!HHCS03816100N	HHCS; NYLON PATCH 3/8-16 X 1", GR. 5 ZINC
10	8	!CACCS02520050S	CACS; 1/4-20 X 1/2", S/S
11	1	!HHCS10008300	HHCS; 1-8 X 3", GR. 5, ZINC -PLTD
12	4	!SRNG-100	RETAINING RING - 1" SHAFT DIA.
13	4	!SRNG-075	RETAINING RING - 3/4" SHAFT DIA.
14	-	-	-
15	-	-	-
16	-	-	-
17	1	!LNUT-10008	LOCK NUT; 1"-8, NYLON, GR. 8, ZINC-PLTD
18	-	-	-
☼19	1	!HHCS03118125S	HHCS; 5/16-18 X 1-1/4", S/S
☼20	2	!HNUT-03118S	HEX NUT; 5/16-18, S/S

ITEM NO.	QTY.	PART NUMBER	DESCRIPTION
☼21	1	!FWSH-031S	FLAT WASHER; 5/16", S/S
☼22	1	!HHCS02520250S	HHCS; 1/4-20 X 2-1/2", S/S
☼23	1	!LWSH-025S	LOCK WASHER; 1/4", S/S
☼24	1	!HNUT-02520S	HEX NUT; 1/4-20, S/S
25	-		
26	-		
27	-		
28	-		
29	-		
30	-		
31	-		
32	-		
33	-		
34	-		
35	-		
36	-		
37	-		
38	-		
39	-		
40	-		

☼ ITEMS #19-24 ARE FOR OPTIONAL COMPONENTS - NOT INCLUDED WITH STANDARD EQUIPMENT

HHCS = HEX HEAD CAP SCREW PMS = PAN MACHINE SCREW S/S = STAINLESS STEEL CACS = COUNTERSINK CAP SCREW

REFERENCE 28566 FOR REPLACEMENT FASTENERS DRAWING



VENCO VENTURO INDUSTRIES LLC
CINCINNATI, OHIO

TITLE

REPLACEMENT FASTENERS LIST - 24946 BOOM

HT66KX-25' VLC SERIES

DATE

11-18-24A

SUPERSEDES

07-10-24

SECTION

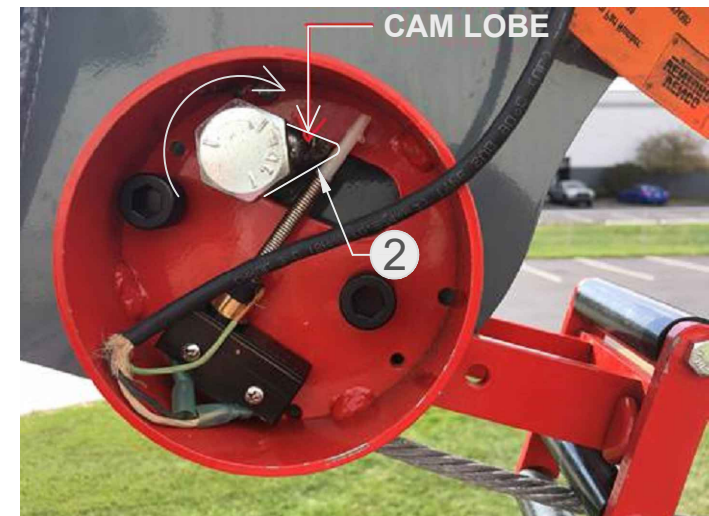
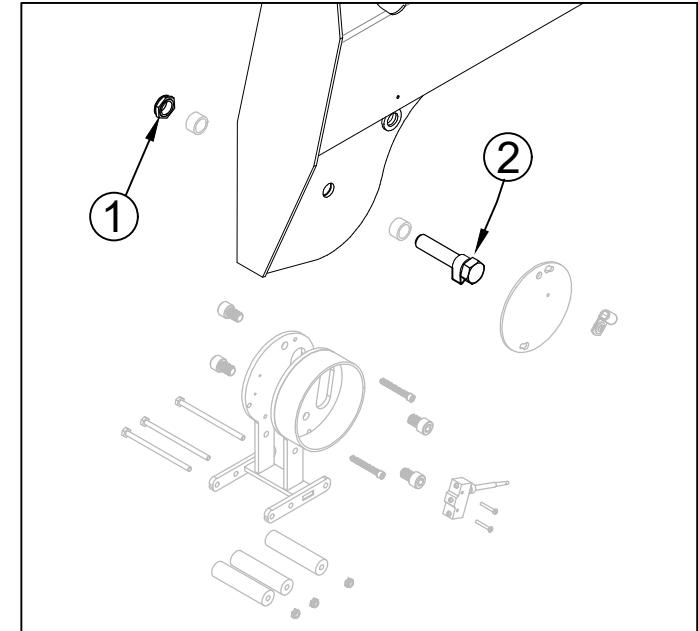
C400

28567

Compact A2B with Stowage Cut-out, Install/Adjustment Instructions

The purpose of the Stowage Cut-out system is to prevent a situation whereby the wire rope is over-tensioned when the load block / wire rope is attached to the stowage hook on the bottom of the primary boom assembly. **However, the OPERATOR is ultimately responsible for ensuring that the wire rope is not over-tensioned when stowing the wire rope and boom assembly into the boom rest.**

1. Initially, apply a light torque to the nyloc full nut Item #1 (P/N !LNUT-10008), such that the axle bolt & cam welded assembly can be rotated / adjusted in the steps below.
2. Position the cam **lobe** Item #2 (P/N 28373) so that it is pointing towards the housing / mechanism
3. Hang the load block on the open stowage hook under the primary boom.
4. Thread the wire rope through the load block in a two-line configuration; the wire rope end / eyelet is pinned in the standard position on the tertiary boom tip
5. Actuate the Winch Up function until the load block and wire rope are **taut** enough to prevent the load block from bouncing during transit, **but do not tighten excessively so as to prevent damage to the wire rope.**
6. Rotate the axle bolt & cam welded assembly towards the housing (clockwise in standard configuration) until the cam lobe makes contact with and trips the wobble micro switch and actuates the A2B function.
7. Once adjusted, torque the nyloc full nut (Item #1) to 100 ft*lbs to prevent further rotational movement of the axle bolt & cam welded assembly.
8. Test the A2B trip-point by slackening and tightening the wire rope / load block assembly by actuating Winch Up/Down. **NOTE: The point at which the A2B trips WILL vary to some degree, depending upon the winch up speed. It is recommended to actuate the winch up function slowly, which will yield a consistent and repeatable result, in terms of wire rope tension when stowed.**



Contact Venturo Tech Support for assistance. 1-800-226-2238 ext. 124



VENCO VENTURO INDUSTRIES LLC
CINCINNATI, OHIO

TITLE
A2B Stowage Cut-out

HT66KX Crane w/ Comp. A2B

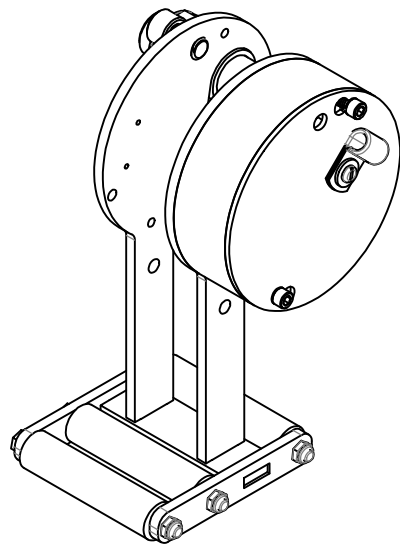
DATE
05-08-23

SUPERSEDES
-

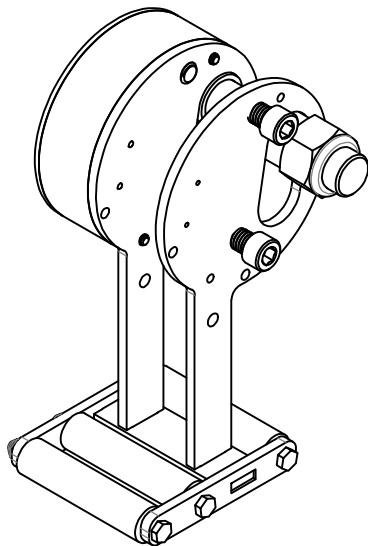
SECTION
C400

28505

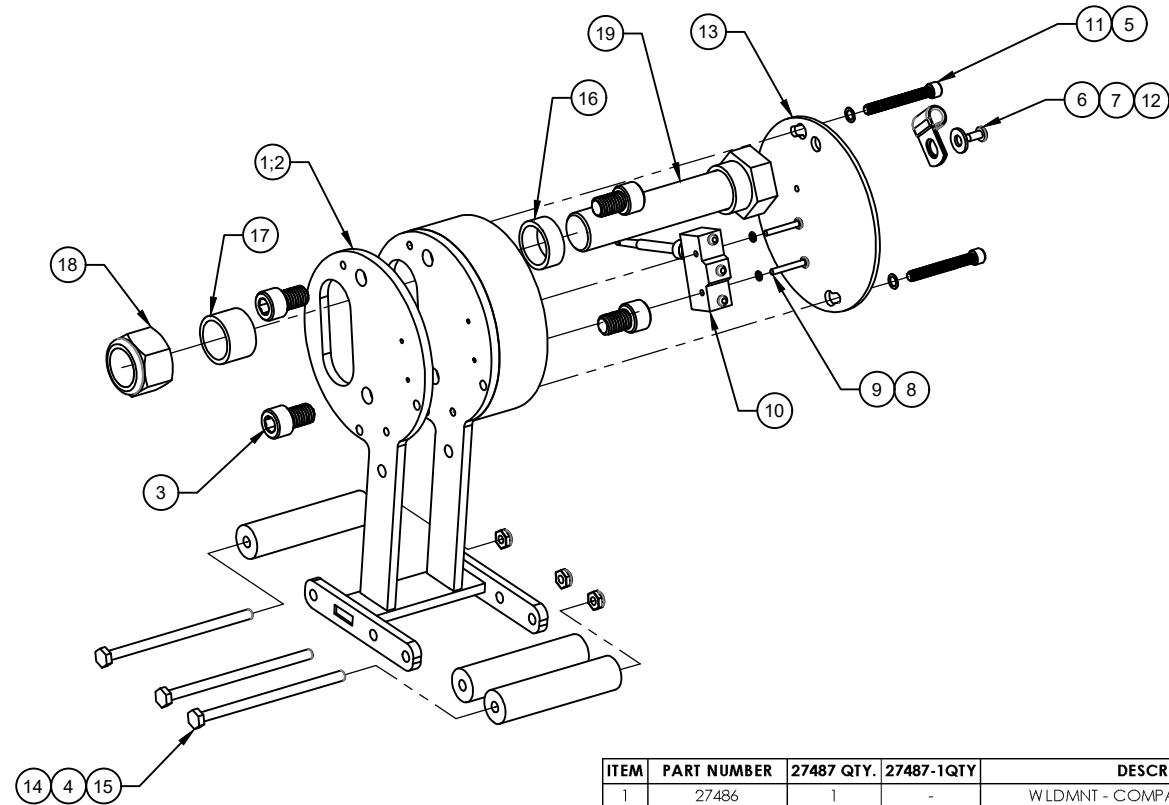
REPLACEMENT PARTS LIST - 27487 A2B STOWAGE CUT-OUT



27487 (LEFT HAND)



27487-1 (RIGHT HAND)



ITEM	PART NUMBER	27487 QTY.	27487-1QTY	DESCRIPTION
1	27486	1	-	WLDMNT - COMPACT A2B FRAME LH
2	27486-1	-	1	WLDMNT - COMPACT A2B FRAME RH
3	27467	4	4	SHCS NYLON BLACK 1/2-13 X 3/4 LG
4	27475	3	3	WIRE ROPE GUIDE ROLLER
5	23379	2	2	WASHER, NYLON, BLACK, .375" O.D. X .25" I.D.
6	IPHCS#1032038	1	1	PAN HEAD CAP SCREW 10-32 X 3/8 LONG
7	IFW SH-025	1	1	FLAT WASHER - 1/4
8	ILW SH-#06	2	2	LOCK WASHER - 6
9	IPHCS#0632100	2	2	PHILLIPS HEAD CAP SCREW 6-32 X 1 LONG
10	19376	1	1	ANTI-TWO BLOCK SWITCH
11	ISHCS02520200SS	2	2	SHCS, 1/4-20 X 2.00 LONG, STAINLESS STEEL
12	19269	1	1	WIRE CLAMP, 3/8 ID VIBRATION DAMPING
13	27473	1	1	COVER PLATE
14	ILJNUT-02520N	3	3	NYLON INSERT JAM NUT - 1/4-20
15	IHHCS02520450	3	3	HHCS 1/4-20 X 4-1/2 LG
16	27466-1	1	1	SPACER - COMPACT A2B, .47 LG (HT66)
17	27466-2	1	1	SPACER - COMPACT A2B, .81 LG (HT66)
18	ILNUT-10008	1	1	HEX NUT; 1-8, GR. 5, ZINC-PLTD
19	28373	1	1	COMPACT A2B CUT-OUT CAM WELDED ASSY



VENCO VENTURO INDUSTRIES LLC
CINCINNATI, OHIO

TITLE
REPLACEMENT PARTS LIST -27486 A2B STOWAGE CUT-OUT

HT66KX-25' VLC SERIES

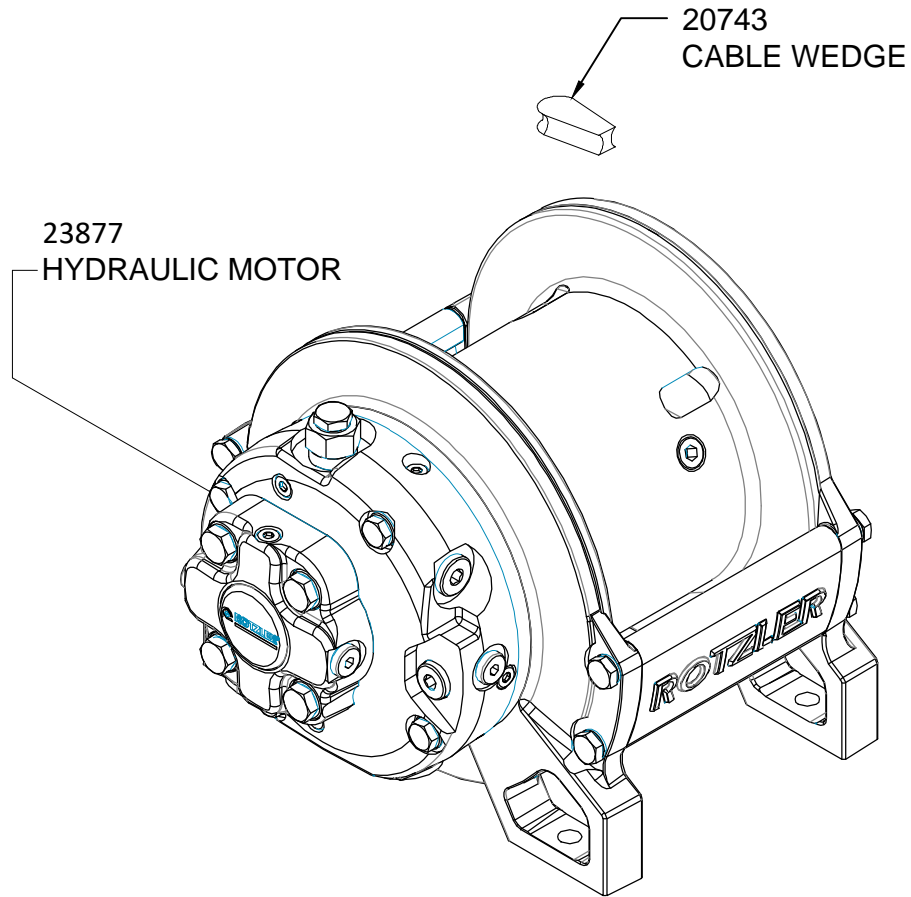
DATE
04-18-23

SUPERSEDES
-

SECTION
C400

28496

REPLACEMENT PARTS DRAWING; 27274 WINCH



WINCH SEALS PACKAGE: 23848



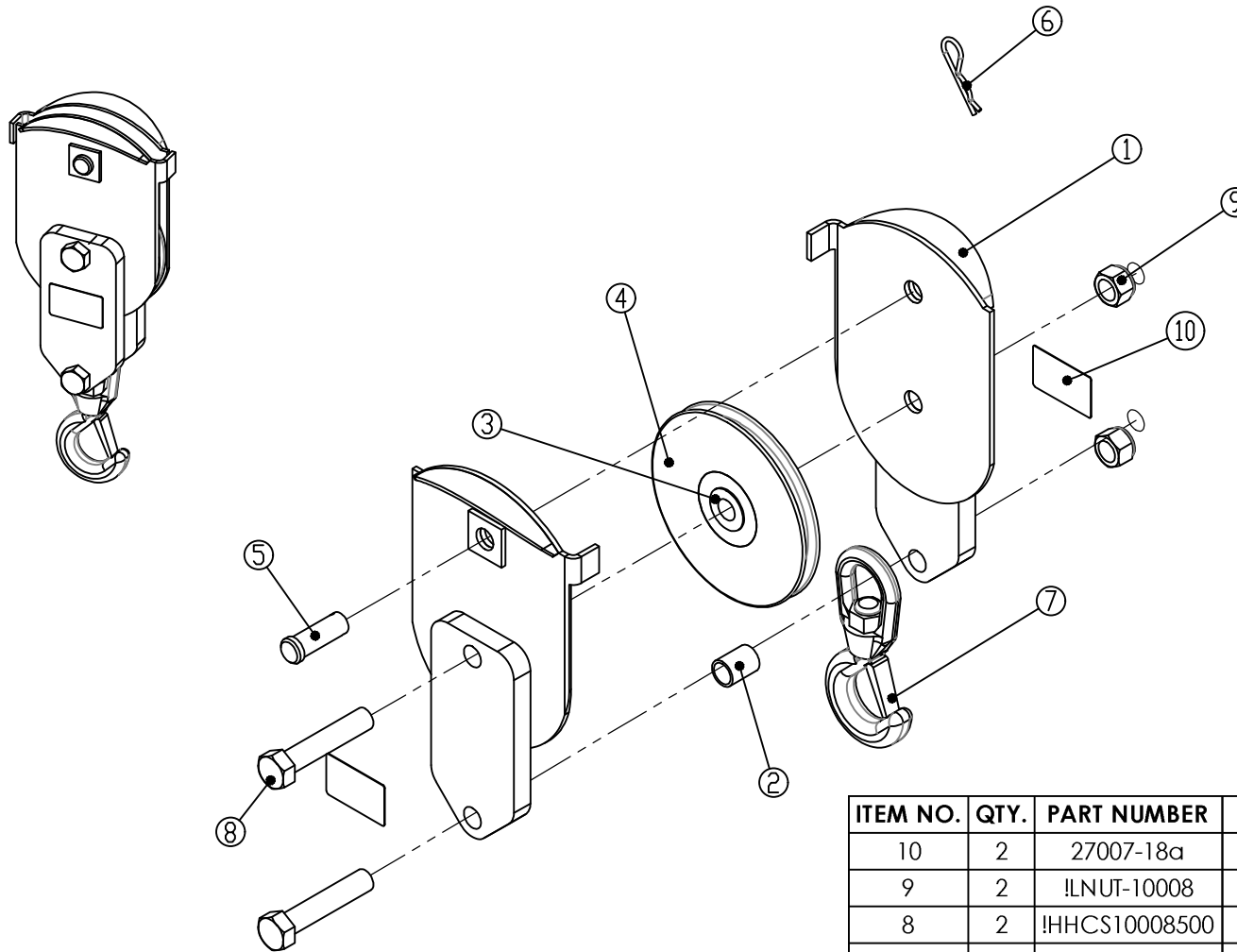
VENCO VENTURO INDUSTRIES LLC
CINCINNATI, OHIO

TITLE	REPLACEMENT PARTS DRAWING
	HT60/66KX SERIES CRANES

DATE	11-10-22-C
SUPERSEDES	04-05-21B

SECTION	C400
	27332

REPLACEMENT PARTS LIST - HT66KX-25' VLC SERIES; 27254 LOAD BLOCK



ITEM NO.	QTY.	PART NUMBER	DESCRIPTION
10	2	27007-18a	DECAL; CAPACITY, 12000 LBS.
9	2	!!LNUT-10008	HEX NUT; 1-8, GR. 5, ZINC-PLTD
8	2	!HHCS10008500	HEX HD CAP SCREW 1-8X5", GR. 8
7	1	23428	SWIVEL HOOK W/ SAFETY LATCH
6	1	21-08	HAIRPIN COTTER
5	1	27272	1X2.5 CLEVIS PIN
4	1	27242	SHEAVE
3	1	27256	SHEAVE SPACER
2	1	27253	SPACER
1	2	27250	SHEAVE SIDE PLATE ASSEMBLY



VENCO VENTURO INDUSTRIES LLC
CINCINNATI, OHIO

TITLE
REPLACEMENT PARTS LIST -27254 LOAD BLOCK

HT66KX-25' VLC SERIES

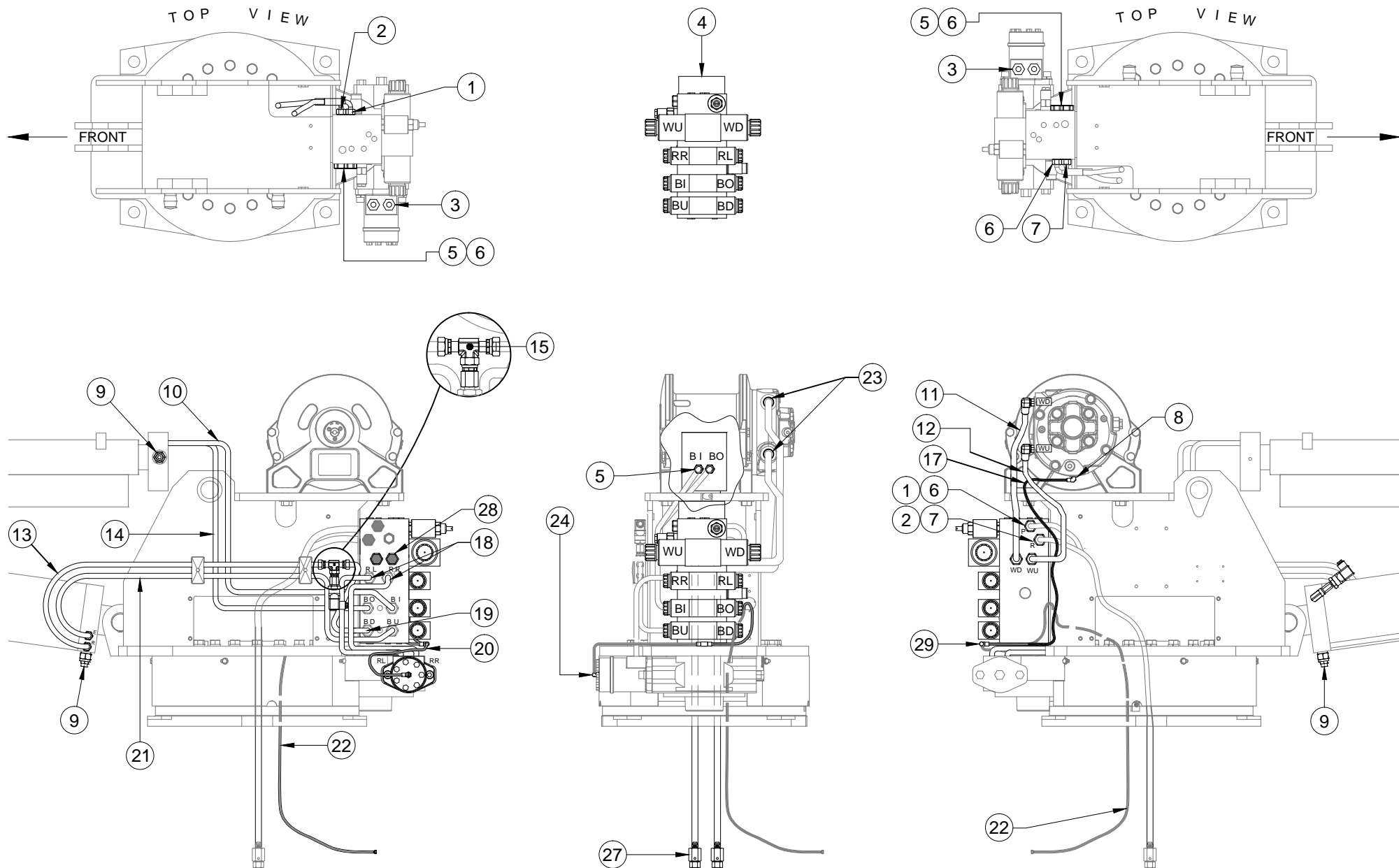
DATE
04-17-23

SUPERSEDES
-

SECTION
C400

28495

REPLACEMENT PARTS DRAWING - HYDRAULIC COMPONENTS



REFERENCE 28518 FOR REPLACEMENT PARTS LIST

HOSE ROUTINGS ARE FOR REFERENCE ONLY



VENCO VENTURO INDUSTRIES LLC
CINCINNATI, OHIO

TITLE
RPLCMNT PARTS DWG - HYD. COMPONENTS
HT60/66KX VLC SERIES

DATE
07-09-24
SUPERSEDES
-

SECTION
C400
28517

REPLACEMENT PARTS LIST - HYD. COMPONENTS

ITEM	PART NO.	QTY	DESCRIPTION	INSTALLATION
1	28477	1	HOSE ASS'Y; PRESSURE	FF6400-0810 (MANIFOLD) TO COMPARTMENT
2	28267	1	HOSE ASS'Y; RETURN	FF6400-0812 (MANIFOLD) TO COMPARTMENT
3	FF6400-0610	2	FITTING; STRAIGHT ADAPTER, 6OFS-10MO	ROTATION MOTOR PORTS
4	22736H-1	1	VALVE MANIFOLD; HI-FLOW, 3000 PSI	-
5	FF6400-0606	10	FITTING; STRAIGHT ADAPTER, 6OFS-6MO	RL/RR/BI/BO/BU/BD MANIFOLD PORTS, CYL. PORTS
6	FF6400-0810	3	FITTING; STRAIGHT ADAPTER, 8OFS-10MO	MANIFOLD PORTS: 'P' (RIGHT), WU/WD (LEFT)
7	FF6400-0812	1	FITTING; STRAIGHT ADAPTER, 8OFS-12MO	MANIFOLD RETURN PORT (RIGHT)
8	3802-0404 (FF3802-4-4)	1	FITTING; ADAPTER, 45° ELBOW, 04MJ-04MBP (MALE BRITISH PARALLEL)	WINCH CASE DRAIN PORT
9	20893	2	COUNTER-BALANCE VALVE	ELEVATION & EXTENSION CYLINDERS
10	27593	1	HOSE ASS'Y; BOOM IN	FF6400-0606 (MANIFOLD) - FF6400-0606 (EXT. CYL.)
11	27025	1	HOSE ASS'Y; WINCH DOWN	FF6400-0810 (MANIFOLD) - FF3801-8-12 (WINCH)
12	27024	1	HOSE ASS'Y; WINCH UP	FF6400-0810 (MANIFOLD) - FF3801-8-12 (WINCH)
13	28052	1	HOSE ASS'Y; BOOM DOWN, CYL-SIDE	23731 - FF6400-0606 (ELEV. CYL. 'R' PORT)
14	27592	1	HOSE ASS'Y; BOOM OUT	FF6400-0606 (MANIFOLD) - FF6400-0606 (EXT. CYL.)
15	FF6602-06-06-06	1	FITTING; TEE, 6MORFS-6FORFS-6MORFS	PRESSURE TRANSDUCER (ROD SIDE)
16	-	-	-	-
17	22953	1	HOSE ASS'Y; CASE DRAIN, 30" LONG	H6801-0404 (WINCH) - H2603-040404 (TEE)
18	27598	2	HOSE ASS'Y; ROTATION LEFT/RIGHT	FF6400-0606 (MANIFOLD) - FF6400-0610 (ROT. MTR.)
19	28053	1	HOSE ASS'Y; BOOM DOWN, MANIFOLD-SIDE	23731 - FF6400-0606 (MANIFOLD)
20	22952	1	HOSE ASS'Y; CASE DRAIN, 13" LONG	H6801-0404 (ROTATION MTR) - H2603-040404 (TEE)
21	28033	1	HOSE ASS'Y; BOOM UP	FF6400-0606 (X2); MANIFOLD - ELEV. CYL. 'E' PORT
22	22903	1	HOSE ASS'Y; CASE DRAIN, 96" LONG	H2603-040404 - COMPARTMENT
23	FF3801-8-12	2	FITTING; 90° ELBOW ADAPTER, 8OFS-12MBP (MALE BRITISH PARALLEL)	WINCH PORTS - 28271, 28272
24	H6801-0404	1	FITTING; 90° ELBOW ADAPTER, 4MJ-4MO	ROTATION MOTOR CASE DRAIN PORT
25	-	-	-	-
26	-	-	-	-
27	22764	2	HYDRAULIC SWIVELS; 8MJ-8FJ	COMPARTMENT - 22765 (PRESS), 22764 (RETURN)
28	H6408-10	2	FITTING; PLUG, 10MO	MANIFOLD (WU/WD PORTS)
29	H2603-040404	1	FITTING; T-SHAPE, 4MJ-4MJ-4MJ	22952, 22953, & 22903 (CASE DRAIN HOSES)

REFERENCE 28517 FOR REPLACEMENT PARTS DRAWING



VENCO VENTURO INDUSTRIES LLC
CINCINNATI, OHIO

TITLE

RPLCMNT PARTS - HYD. CMP

DATE

07-10-24

SECTION

C400

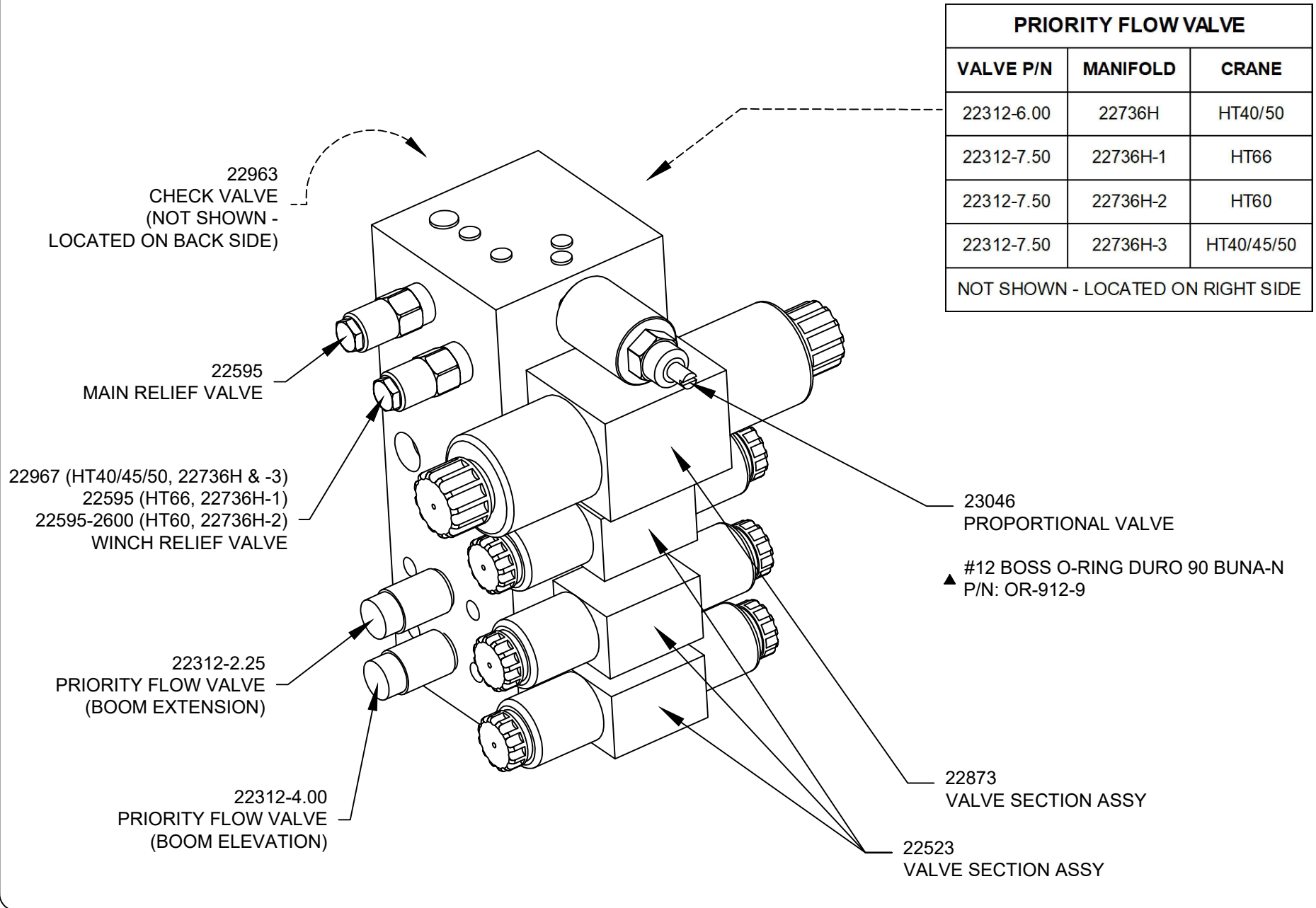
HT66KX VLC GEN C

SUPERSEDES

-

28568

22736 SERIES VALVE MANIFOLD REPLACEMENT PARTS



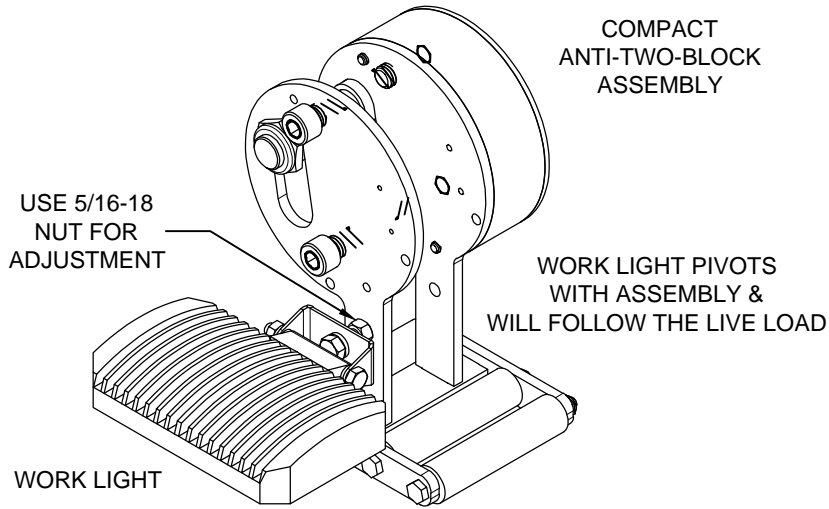
PRIORITY FLOW VALVE		
VALVE P/N	MANIFOLD	CRANE
22312-6.00	22736H	HT40/50
22312-7.50	22736H-1	HT66
22312-7.50	22736H-2	HT60
22312-7.50	22736H-3	HT40/45/50
NOT SHOWN - LOCATED ON RIGHT SIDE		



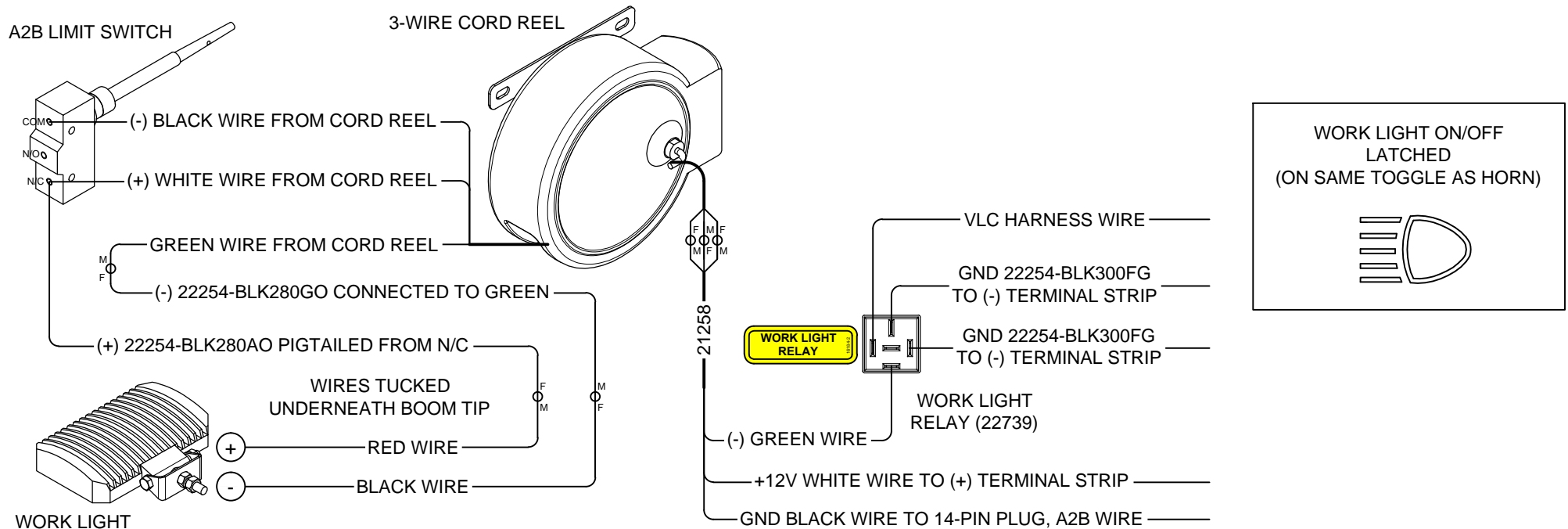
VENCO VENTURO INDUSTRIES LLC
CINCINNATI, OHIO

TITLE	DATE	SECTION
22736 REPLACEMENT PARTS	03-19-26J	C400
HT40/50/60/66KX PROPORTIONAL	SUPERSEDES 04-19-24H	22940

WORK LIGHT INSTALLATION: 28240 (3-WIRE CORD REEL ON VLC CRANES)



BILL OF MATERIALS		N/D	28240
#	DESCRIPTION	QTY	PART NUMBER
1	IDWG; WORK LIGHT INSTALLATION, VLC CRANES	1	28188
2	LED WORK LIGHT	1	27483
3	TERMINAL; 16G, FEMALE, QUICK-CONNECT	5	!TERM16G250QCFI
4	TERMINAL; 16G, MALE, QUICK-CONNECT	4	!TERM16G250QCM
5	WIRE ASS'Y; 16G, BLACK, 28", #6 RING - STRIPPED END	1	22254-BLK280AO
6	WIRE ASS'Y; 16G, BLACK, 28", QCF - STRIPPED END	1	22254-BLK280GO
7	RELAY; 12VDC	1	22739
8	DECAL; WORK LIGHT RELAY	1	16184-2
9	WIRE ASS'Y; 16G, BLACK, 30", MALE PIN - QCF	2	22254-BLK300FG



VENCO VENTURO INDUSTRIES LLC
CINCINNATI, OHIO

TITLE
WORK LIGHT INSTALLATION, 3-WIRE CORD REEL
VLC CRANES

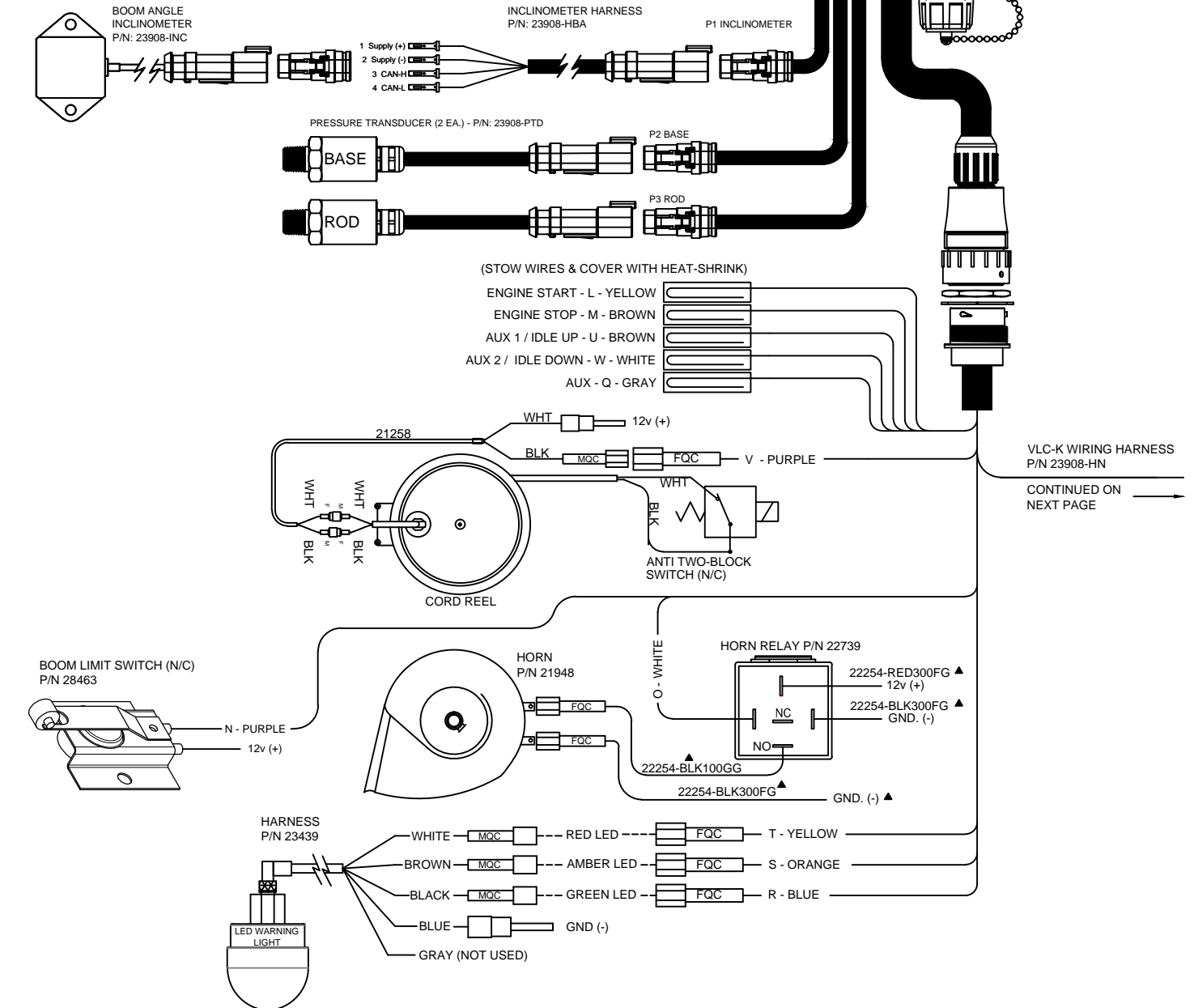
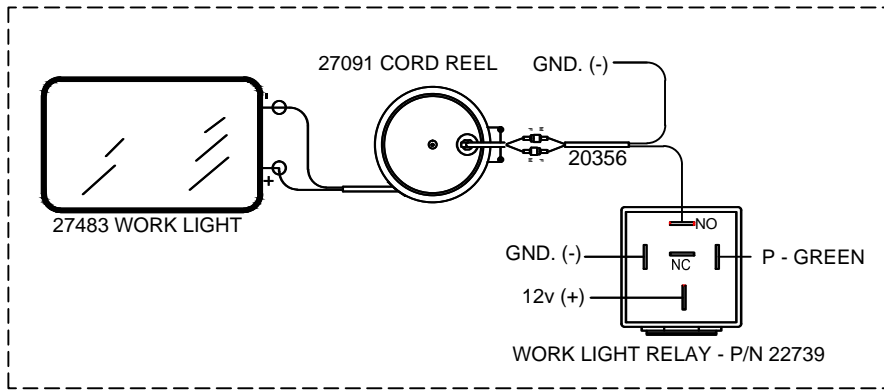
DATE
06-12-24B

SECTION
C400

SUPERSEDES
03-03-23A

28188

OPTIONAL WORKLIGHT



VENCO VENTURO INDUSTRIES LLC
CINCINNATI, OHIO

TITLE
WIRING DIAGRAM - PG. 1

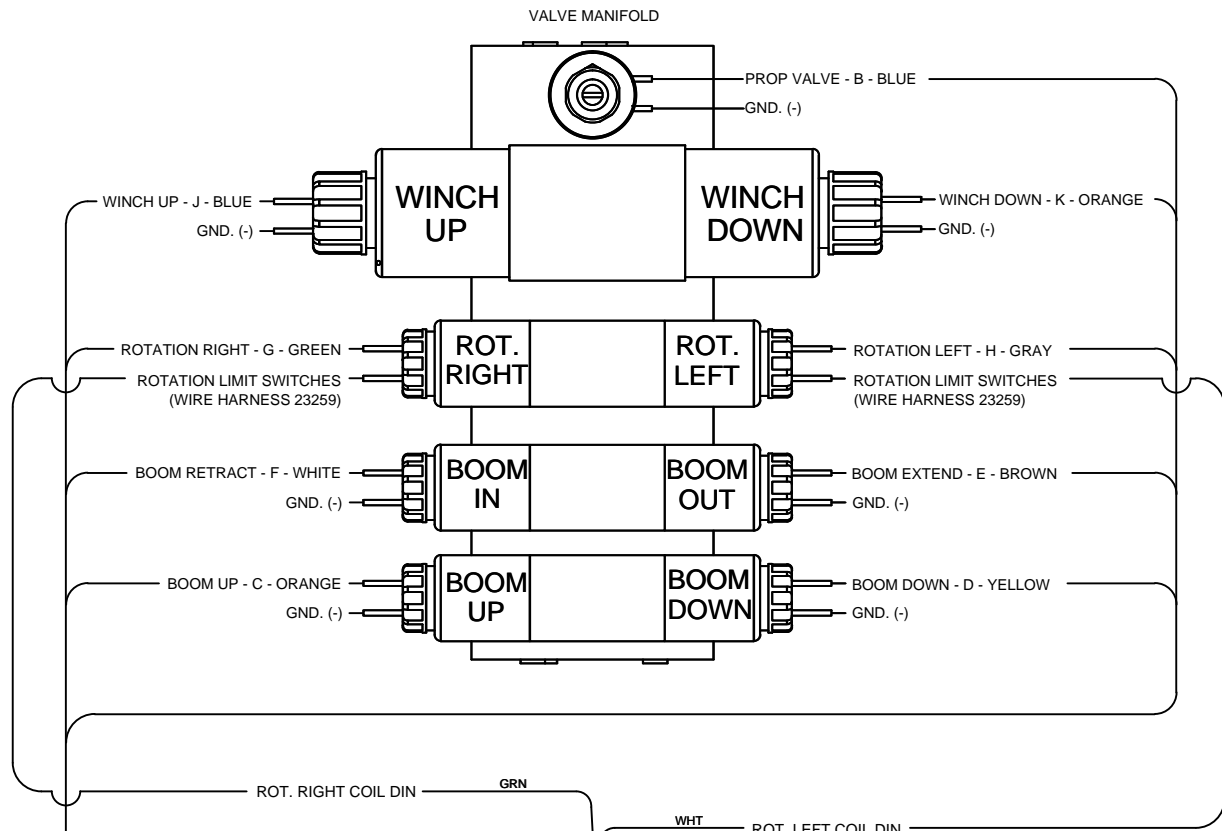
VLC-K ("ORANGE") SERIES

DATE
02-25-25A

SUPERSEDES
06-17-24

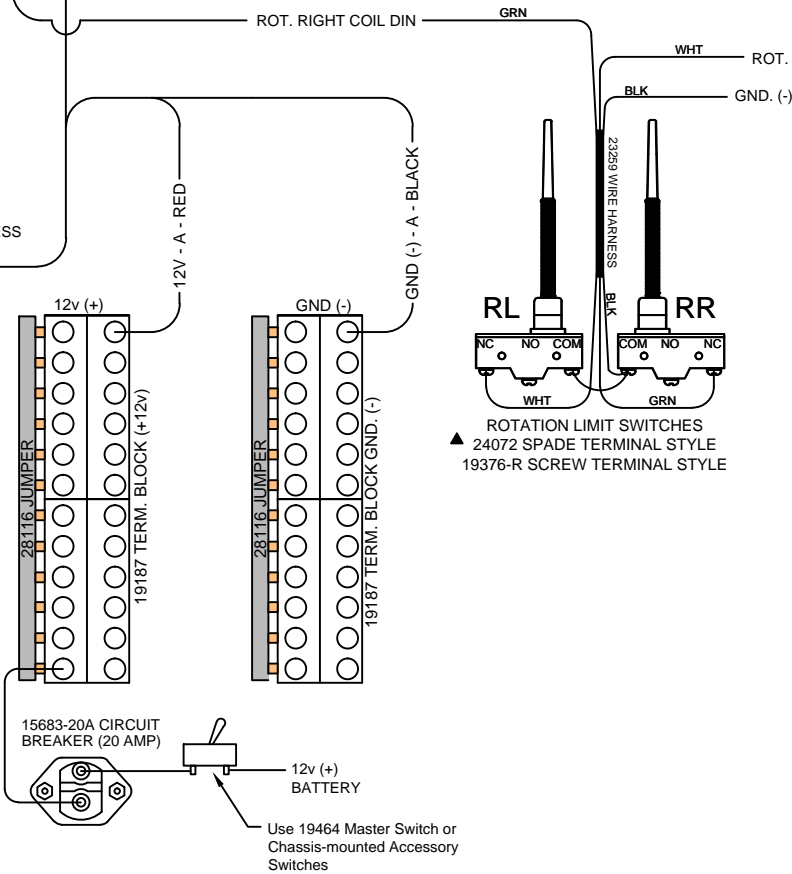
SECTION
C400

26963



VLC-K WIRING HARNESS
P/N 23908-HN

CONTINUED ON
PREV. PAGE



ROTATION LIMIT SWITCHES
▲ 24072 SPADE TERMINAL STYLE
19376-R SCREW TERMINAL STYLE

WIRING HARNESS KEY

PIN	COLOR	DESCRIPTION
A	RED	POWER (12V)
B	BLUE	PROPORTIONAL SPEED
C	ORANGE	BOOM UP
D	YELLOW	BOOM DOWN
E	BROWN	BOOM OUT
F	WHITE	BOOM IN
G	GREEN	ROTATE RIGHT (CW)
H	GRAY	ROTATE LEFT (CCW)
J	BLUE	WINCH UP
K	ORANGE	WINCH DOWN
L	YELLOW	ENGINE START
M	BROWN	ENGINE STOP
N	PURPLE	BOOM LIMIT SWITCH (INPUT)
O	WHITE	HORN
P	GREEN	LIGHT
Q	GRAY	AUX
R	BLUE	GREEN LIGHT
S	ORANGE	AMBER LIGHT
T	YELLOW	RED LIGHT
U	BROWN	AUX 1
V	PURPLE	A2B (INPUT)
W	WHITE	AUX 2
X	BLACK	GROUND



VENCO VENTURO INDUSTRIES LLC
CINCINNATI, OHIO

TITLE
WIRING DIAGRAM - PG. 2

VLC-K ("ORANGE") SERIES

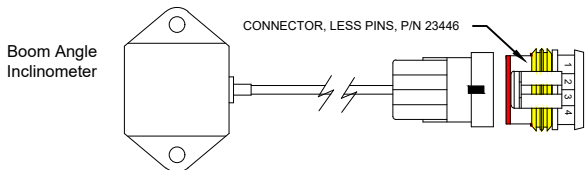
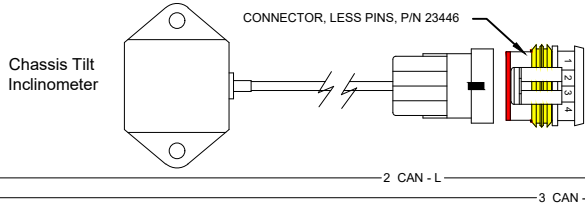
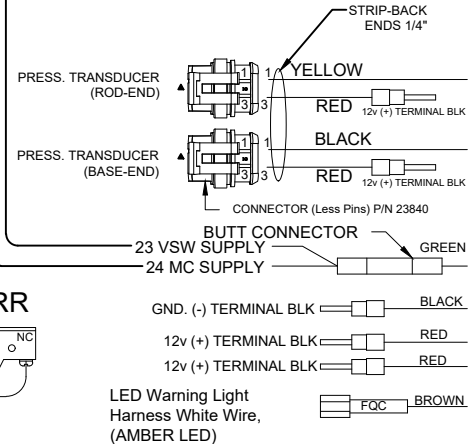
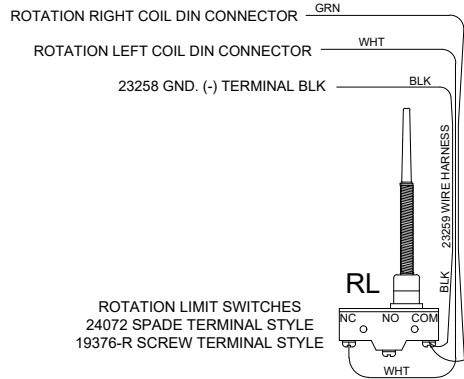
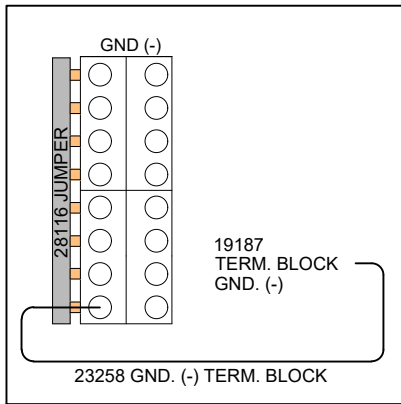
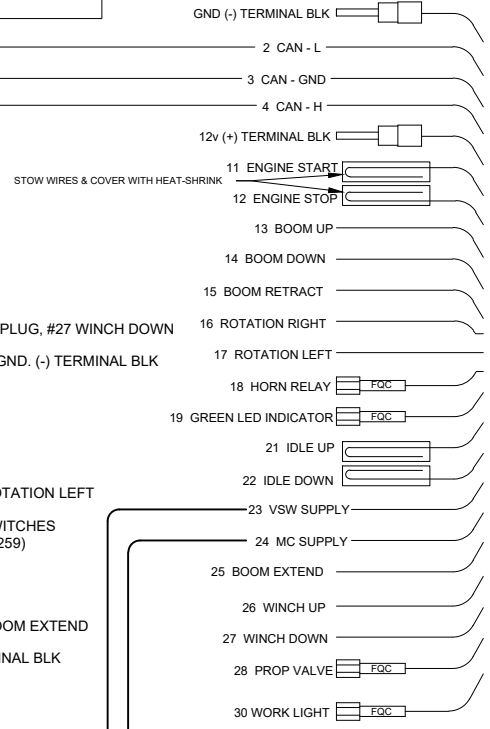
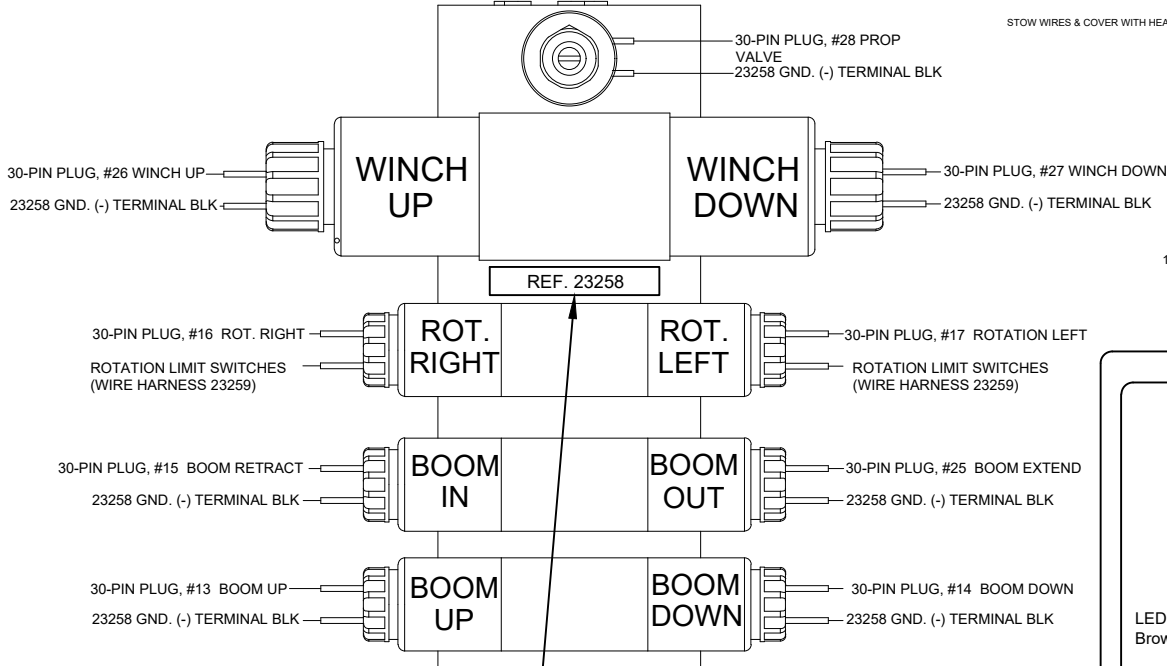
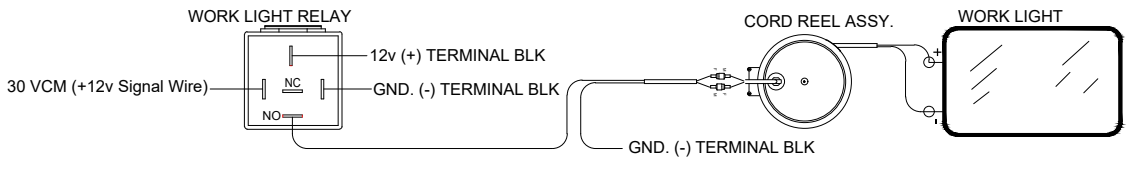
DATE
09-23-24A

SUPERSEDES
06-17-24

SECTION
C400

26964

OPTIONAL WORK LIGHT CIRCUIT



23437 SHOWS RIGHT SIDE OF WIRING DIAGRAM →



VENCO VENTURO INDUSTRIES LLC
CINCINNATI, OHIO

TITLE
WIRING DIAGRAM, PG. 1

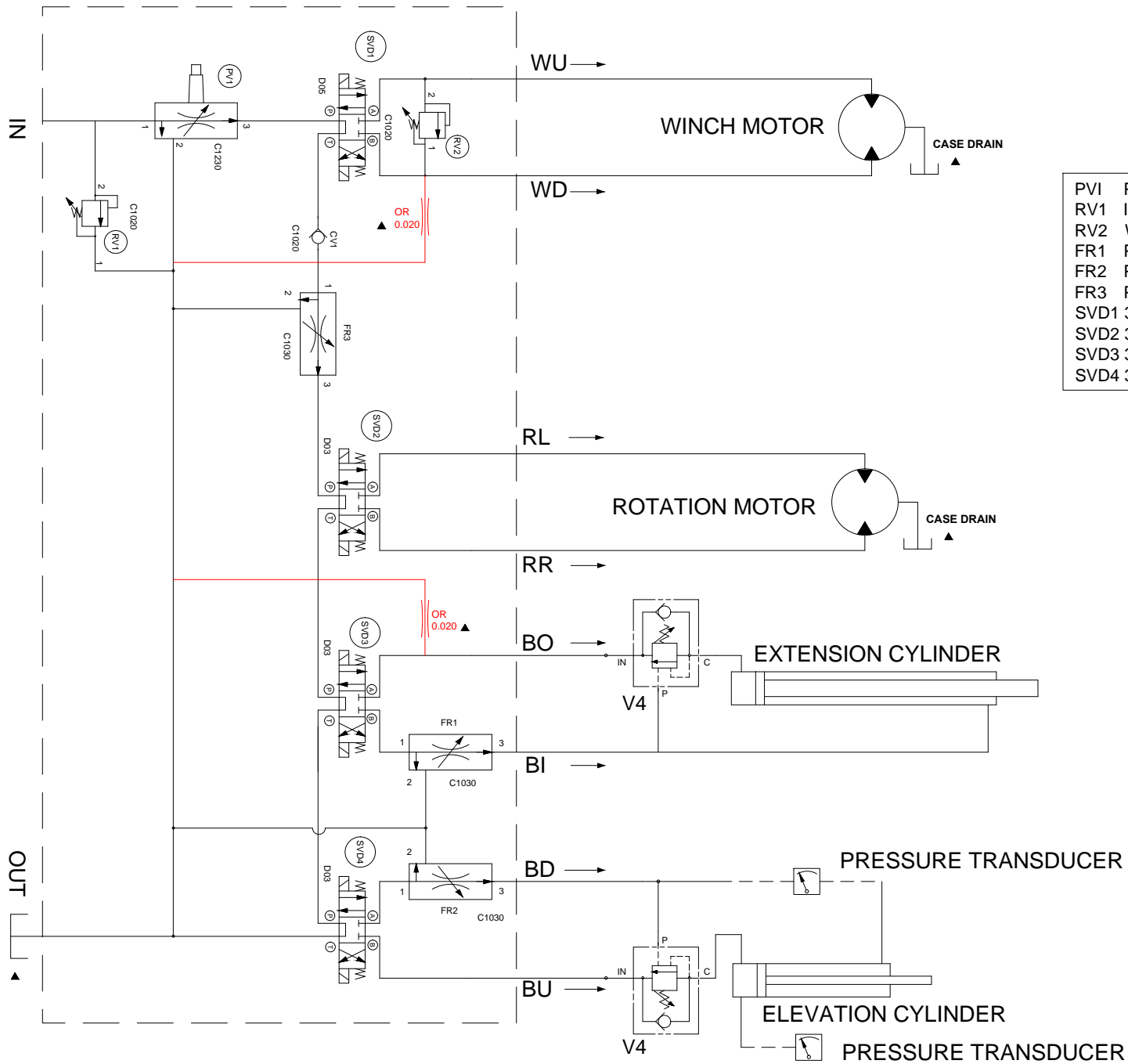
VLC-H ("RED") SERIES

DATE
03-24-26K

SUPERSEDES
09-23-24J

SECTION
C400

23436



- PVI PROPORTIONAL CONTROL VALVE (SIMPLIFIED REP)
- RV1 INLET RELIEF VALVE
- RV2 WINCH RELIEF VALVE
- FR1 PRIORITY FLOW REGULATOR - 2.25 GPM
- FR2 PRIORITY FLOW REGULATOR - 4.00 GPM
- FR3 PRIORITY FLOW REGULATOR - 7.50 GPM
- SVD1 3 POSITION - 4 WAY VALVE
- SVD2 3 POSITION - 4 WAY VALVE
- SVD3 3 POSITION - 4 WAY VALVE
- SVD4 3 POSITION - 4 WAY VALVE



VENCO VENTURO INDUSTRIES LLC
CINCINNATI, OHIO

TITLE
HYDRAULIC SYSTEM DIAGRAM

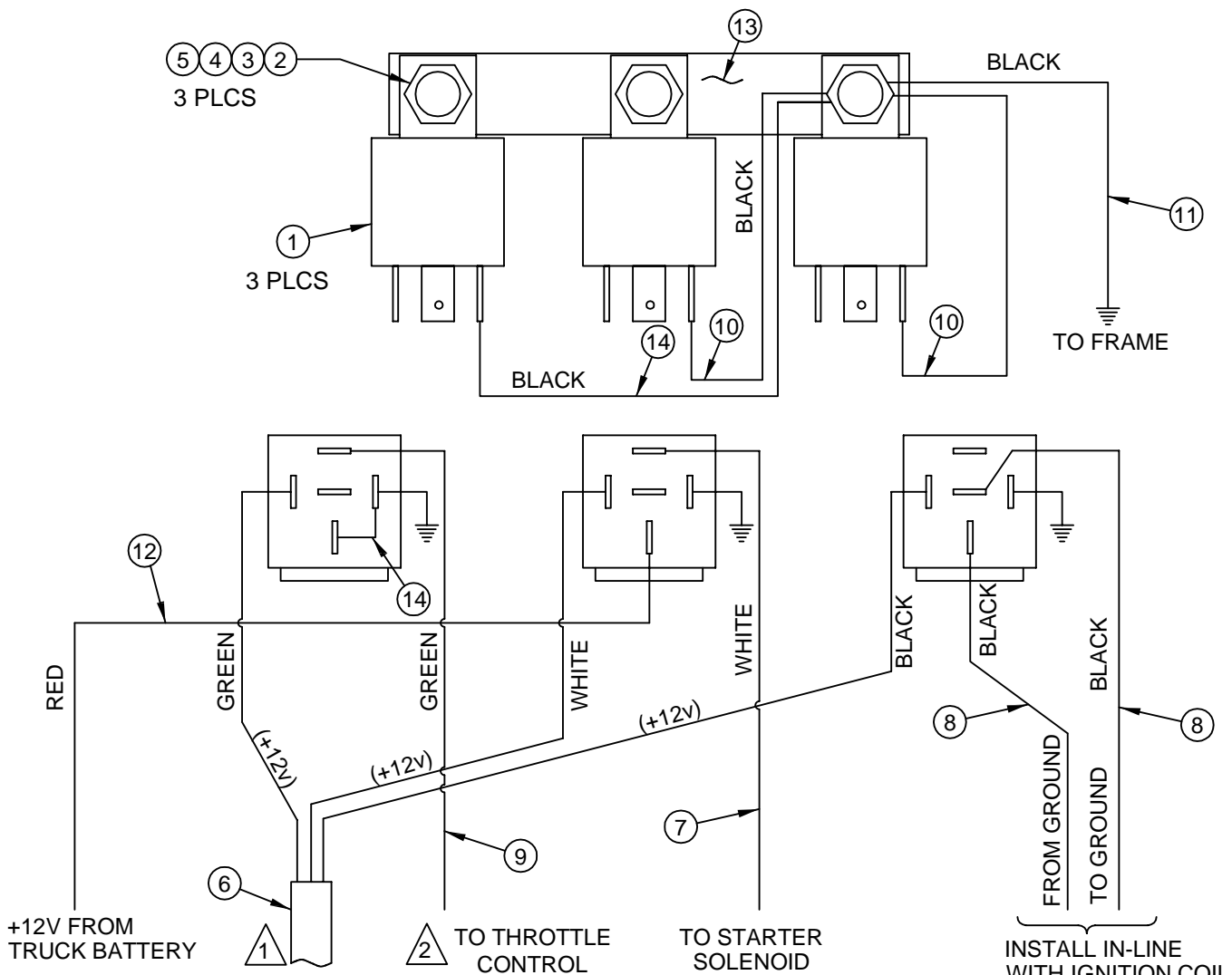
HT60/66KX VLC SERIES

DATE
12-04-23D

SUPERSEDES
11-22-22C

SECTION
C400

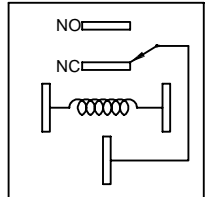
23822



INSTALL IN-LINE WITH IGNITION COIL (GAS) OR FUEL SOLENOID (DIESEL).

1 USER-CONTROLLED +12V INPUT SIGNALS FROM HETRONIC VLC SYSTEM OR ANALOG PENDANT OR RADIO SYSTEM

2 THROTTLE CONTROL IS DESIGNED TO PROVIDE A GROUND SIGNAL WHEN RELAY IS ACTIVATED



RELAY SCHEMATIC

ITEM	QTY	PART#	DESCRIPTION
1	3	22739	RELAY
2	3	!PHCS#1024075	#10-24 X 3/4 PHIL PAN HD BOLT
3	3	!LWSH-#10	#10 LOCKWASHER
4	3	!FWSH-025	#10 WASHER
5	3	!HNUT-#1024	#10 NUT
6	1	22607	WIRE HARNESS - 12/3 SJO
7	1	22609	WHITE - 16 GAGE ELECTRICAL WIRE - 15 FEET LONG
8	2	22610	BLACK - 16 GAGE ELECTRICAL WIRE - 15 FEET LONG
9	1	22611	GREEN - 16 GAGE ELECTRICAL WIRE - 15 FEET LONG
10	2	22612	BLACK - 16 GAGE ELECTRICAL WIRE - 6 INCHES LONG
11	1	22613	BLACK - 16 GAGE ELECTRICAL WIRE - 8 FEET LONG
12	1	22614	RED - 14 GAGE ELECTRICAL WIRE - 15 FEET LONG
13	1	01181	BUSS BAR
14	1	22619	BLACK - 16GA WIRE ASSY - 6" LONG W/ 3 INCH PIGTAIL

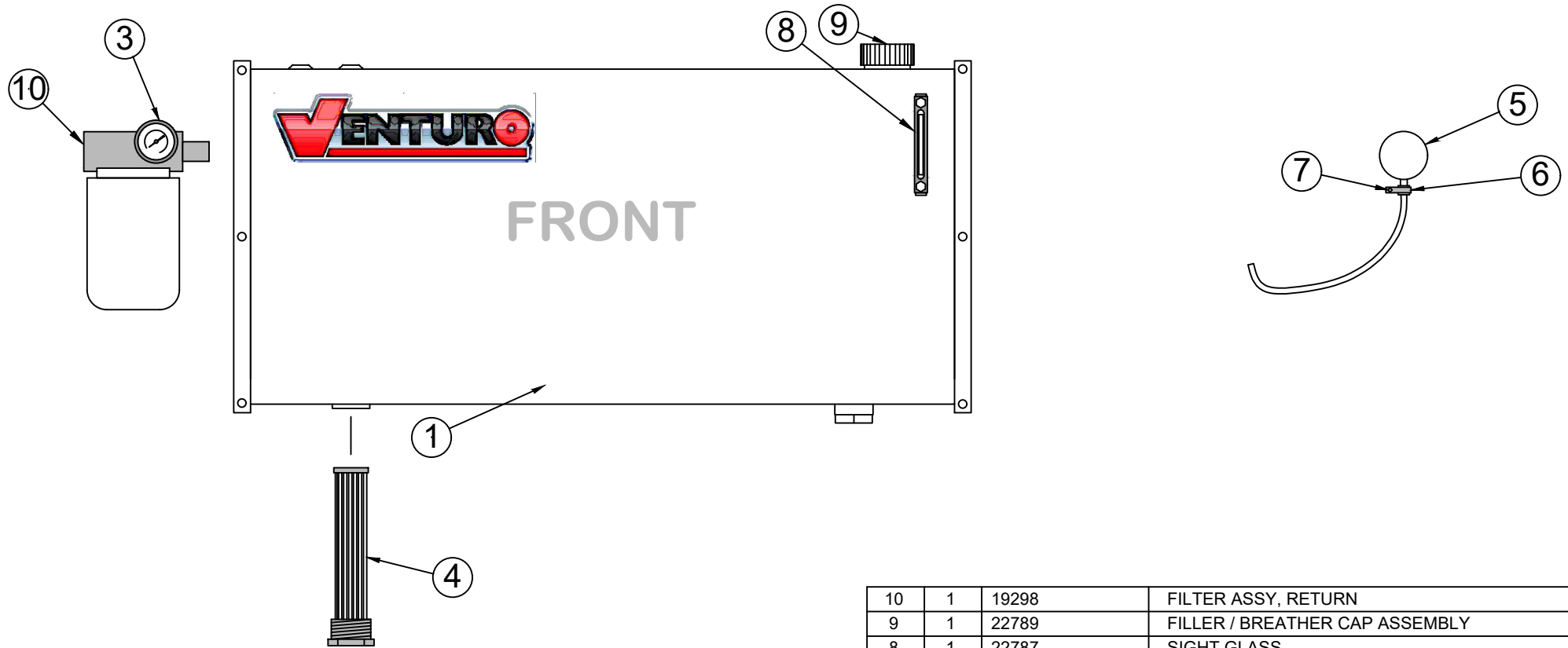


VENCO VENTURO INDUSTRIES LLC
CINCINNATI, OHIO

TITLE ENGINE START / STOP THROTTLE CONTROL
HT CRANES

DATE 06-09-20F
SUPERSEDES 02-21-14E

SECTION C400
22615



10	1	19298	FILTER ASSY, RETURN
9	1	22789	FILLER / BREATHER CAP ASSEMBLY
8	1	22787	SIGHT GLASS
7	1	!HWHS02520075-F	HEX WASHER HEAD 1/4-20 X 3/4 SELF TAPPING
6	1	19275	CLAMP
5	1	22730	PRESSURE GAUGE ASSEMBLY
4	1	22788	SUCTION SCREEN - 100 MESH
▲ 3	1	VT1185	PRESSURE GAUGE - RETURN
2	-	-	-
* 1	1	22785	HYDRAULIC RESERVOIR - 25 GAL (18" x 40" x 8")
		22998	HYDRAULIC RESERVOIR - 40 GAL (20" x 42" x 11")
ITEM	QTY	PART NUMBERS	DESCRIPTION



VENCO VENTURO INDUSTRIES LLC
CINCINNATI, OHIO

TITLE
RESERVOIR KIT REPL PARTS

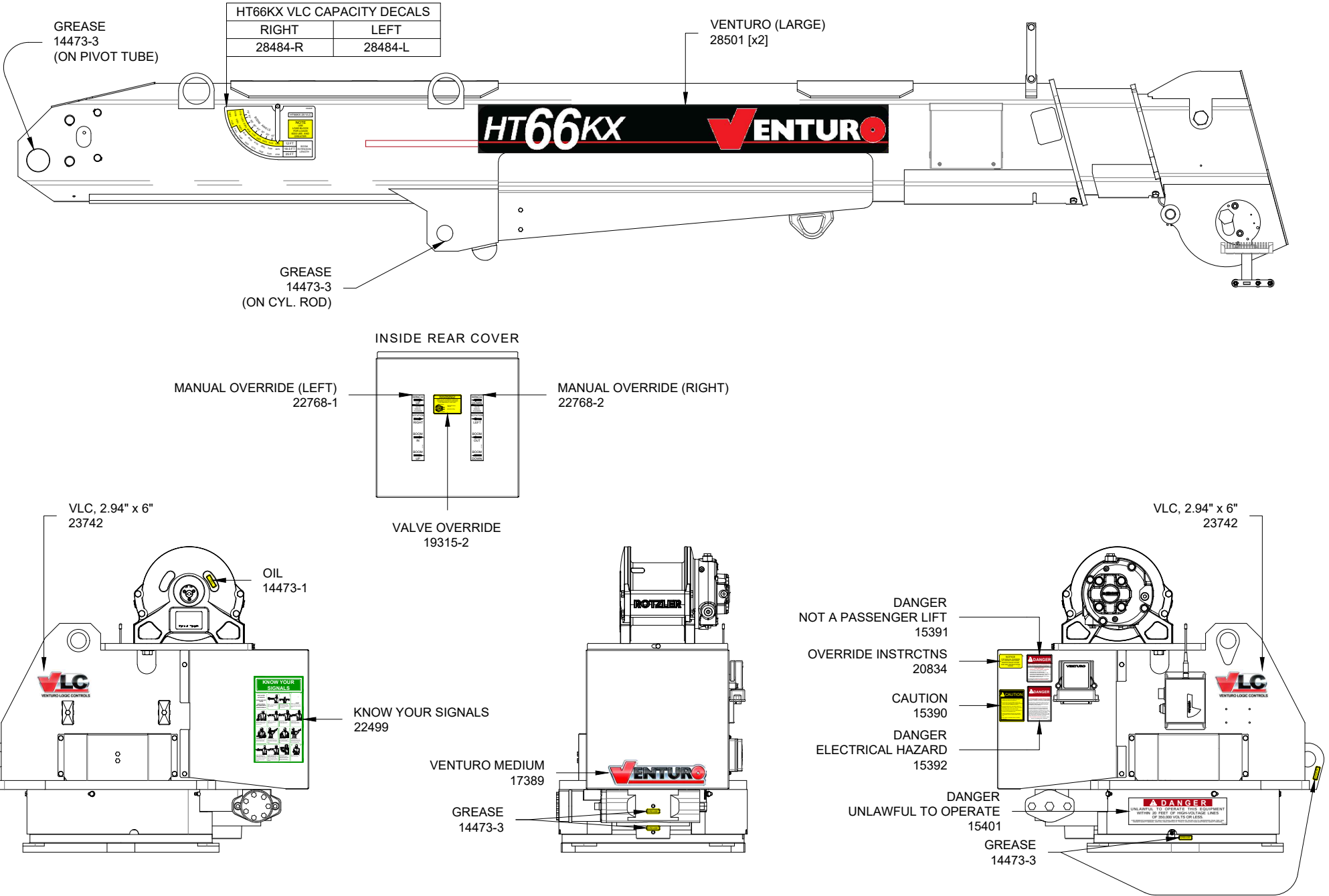
DATE
04-07-26E

SECTION
C400

HT CRANES; 25/40/50 GAL RESERVOIR

SUPERSEDES
12-09-22D

23224



VENCO VENTURO INDUSTRIES LLC
CINCINNATI, OHIO

TITLE
DECAL PLACEMENT

HT66KX-25' VLC W/ ROTZLER TI-2

DATE
05-03-23

SUPERSEDES

-

SECTION
C400

28502

28498 FIELD SERVICE LABEL KIT; HT66KX

-25	28498 FIELD SERVICE LABEL KIT (FOR HT66KX GENERATION 'B')	
QTY	PART #	DESCRIPTION
1	16184-1	DECAL; HORN RELAY
1	16184-2	DECAL; WORK LIGHT RELAY
2	28501	DECAL; HT66KX W/ VENTURO LOGO
1	17389	DECAL; VENTURO LOGO, MEDIUM
1	28484-R	DECAL; BOOM CAPACITY, RIGHT (HT66KX-25')
1	28484-L	DECAL; BOOM CAPACITY, LEFT (HT66KX-25')
1	14473-1	DECAL; OIL
6	14473-3	DECAL; GREASE
1	17813	DECAL; OVERLOAD SENSING SYSTEM
1	22499	DECAL; KNOW YOUR SIGNALS
1	20834	DECAL; MANUAL OVERRIDE, INSTRUCTIONS
1	19315-2	DECAL; MANUAL OVERRIDE, SHUTOFF, PROPORTIONAL
1	22768-1	DECAL; MANUAL OVERRIDE, HT PROPORTIONAL, LEFT
1	22768-2	DECAL; MANUAL OVERRIDE, HT PROPORTIONAL, RIGHT
2	23742	DECAL; VLC, 2.94" x 6.00"
1	28497	IDWG; FIELD SERVICE LABEL KIT, HT66KX VLC SERIES
1	28502	IDWG; DECAL PLACEMENT, HT66KX VLC SERIES
1	INST-23233	SAFETY MANUAL; VENTURO CRANES
1	15397	KIT; ACCIDENT PREVENTION SIGNS
2	27007-18a	DECAL; LOAD BLOCK CAPACITY



VENCO VENTURO INDUSTRIES LLC
CINCINNATI, OHIO

TITLE
FIELD SERVICE LABEL KIT
HT66KX

DATE
05-03-23
SUPERSEDES
-

SECTION
C400
28497



VENTURO CRANES LIMITED WARRANTY POLICY

Venturo products are built to last...we guarantee them.

As a purchaser of any new Venturo product covered by warranty, you will receive 1 year of the most complete coverage available...and, at no added cost to you.

1-Year Limited Warranty Policy

This limited policy warrants new products of Venturo to be free from defects in material and workmanship for a period of one (1) year from date of original installation. OEM products or accessories purchased by Venturo as part of or offered with our product will carry the OEM manufacturer's respective warranty. Our warranty covers:

- ***Repair or replacement of product***
- ***Labor to repair or replace product***
- ***Freight to return and/or replace product***

We shall not be liable for any contingent liabilities arising out of the improper function of any products. Warranty shall become void if the product is improperly installed, modified, damaged, abused or used for application other than intended use. There is no warranty of merchantability, fitness for a particular purpose, warranty arising from course of dealing or usage of trade, or any other implied or expressed warranty, except as made specifically herein. This warranty supersedes all previous warranties, written or implied.

Warranty Claims

Venco Venturo Industries LLC will make a good faith effort for prompt correction or other adjustment with respect to any product, which proves to be defective after our inspection and within the warranty period. Before any repairs are attempted or before returning any product, your Venturo Distributor is required to obtain a warranty claim number. This number is necessary for any claim to be considered. To obtain a warranty claim number, Venturo requires the model and serial number. Only authorized Venturo Distributors can perform warranty. For the name and address of your local Venturo Distributor call the **Warranty Claim Department - 513-772-8448**.

WARNING - It is the responsibility of the installer to ensure the installation is completed according to the manufacturer's recommendations, ensure the ultimate user understands how to operate product in a safe manner, and understands the need for regular service and maintenance by an authorized Venturo Distributor. No modifications or alterations may be made to any Venturo product without the expressed written consent of Venco Venturo Industries LLC. Installation of any Venturo product must be done by an authorized Venturo Distributor, to the standards of the industry; including maintenance, service and affixing of all instruction, safety and warning decals. Users should be instructed as to the safe operation at time of delivery. Maintenance, service, operation and safety warning decals are available on request from Venco Venturo Industries LLC.

VENCO VENTURO INDUSTRIES LLC
12110 BEST PLACE | CINCINNATI, OHIO 45241
P: 800-226-2238 | F: 513-326-5427
www.venturo.com