

# **VENTURO**

## **OWNER'S MANUAL**

# **PARTS & INSTALLATION MANUAL**

---

# **CE1500FB**

---

Included in this manual:

### **CE1500FB**

- 1,500 lb Service Crane
- Manual 360° Rotation with Band Brake
- 3-5 ft Manual Boom Extension

VENCO VENTURO INDUSTRIES LLC  
12110 BEST PLACE | CINCINNATI, OHIO 45241  
800-226-2238



This manual also available online at [www.venturo.com](http://www.venturo.com).



7607100A            DESCRIPTION & SPECIFICATIONS  
CE-020            DIMENSIONS AND CAPACITIES  
CEV184            WIRE ROPE & HOOK SPECIFICATIONS

7607150A            SAFETY  
CE-044            CRANE SAFETY AND HAZARDS  
21376            DECAL DRAWINGS & LIST  
21409            DECAL DRAWING & LIST  
CE-039            OPERATING INSTRUCTIONS

7607200A            INSTALLATION  
CE-045            ASSEMBLY; BASE MOUNTING  
CE-160            ASSEMBLY; WIRING DIAGRAM  
CE-075            FOLDING BOOM STORAGE

7607400A            REPLACEMENT PARTS  
CE-115            REPLACEMENT PARTS DRAWING  
CE-111            REPLACEMENT PARTS LIST  
CE-161            REPLACEMENT HARDWARE DRAWING  
CE-162            REPLACEMENT HARDWARE LIST  
CE-038            DECAL LOCATIONS  
20319            KIT; FIELD SERVICE LABELS  
25431            USER NOTES  
25431            USER NOTES

12-00073\_VNT1    WARRANTY PAGE



**SECTION 100**

**DESCRIPTION**

**&**

**SPECIFICATIONS**



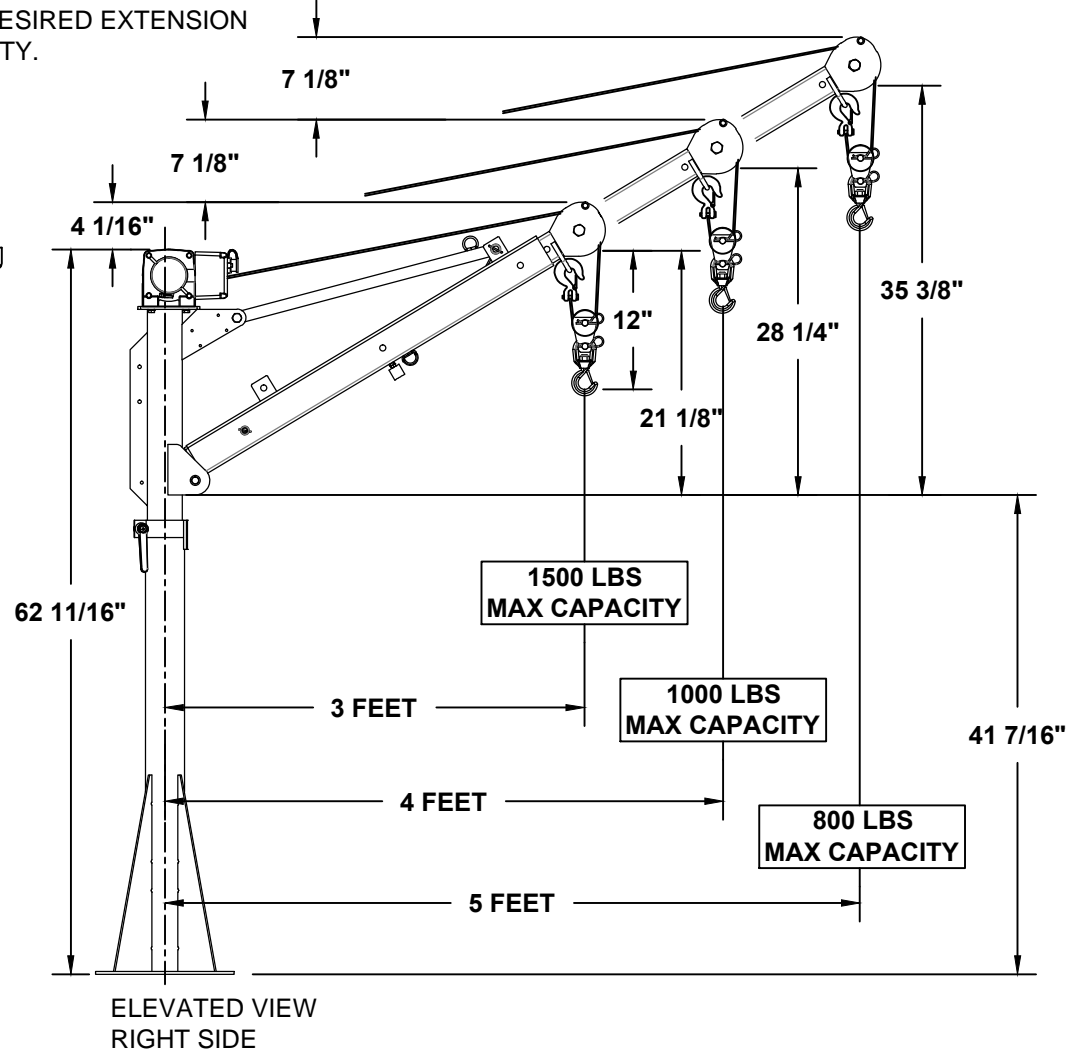
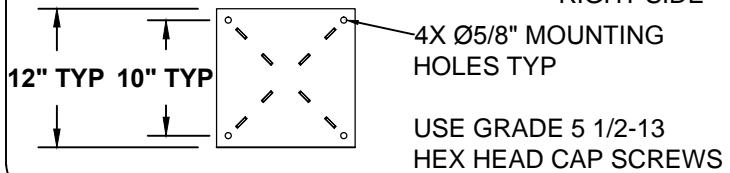
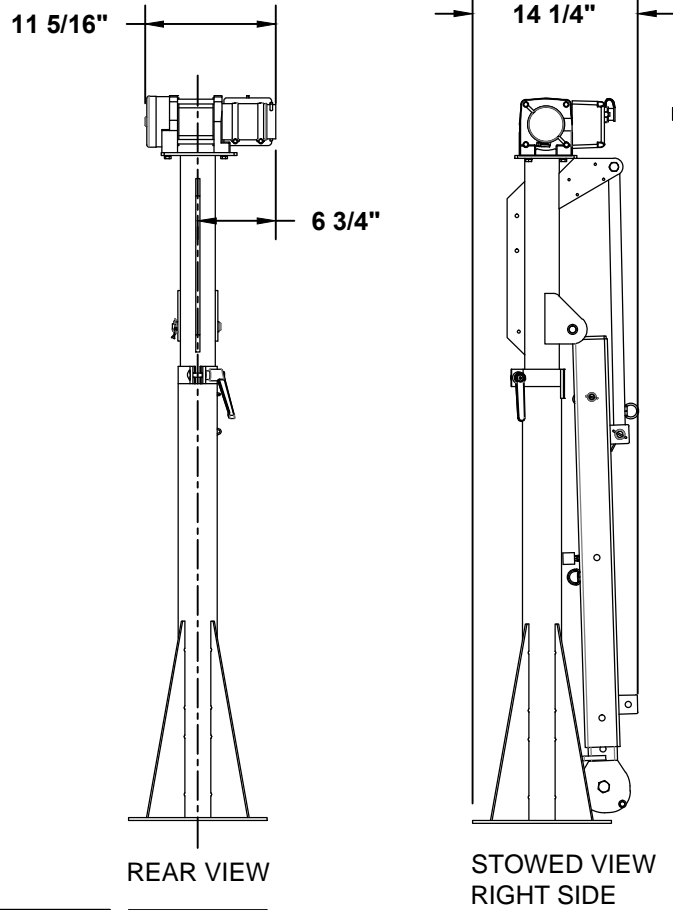
VENCO VENTURO INDUSTRIES LLC  
CINCINNATI, OHIO



# WARNING

- THESE PRODUCTS ARE NOT PASSENGER LIFTS. THEY ARE NOT DESIGNED OR INTENDED TO BE USED TO LIFT, SUPPORT OR OTHERWISE TRANSPORT PERSONNEL.

**BOOM EXTENSION**  
PLACE BOOM PIN IN PROPER HOLE FOR DESIRED EXTENSION AND CAPACITY.



**NOTE:** CAPACITIES SHOWN FOR CE1500FB  
MUST USE LOAD BLOCK.



VENCO VENTURO INDUSTRIES LLC  
CINCINNATI, OHIO

TITLE  
**DIMENSIONS & CAPACITIES**

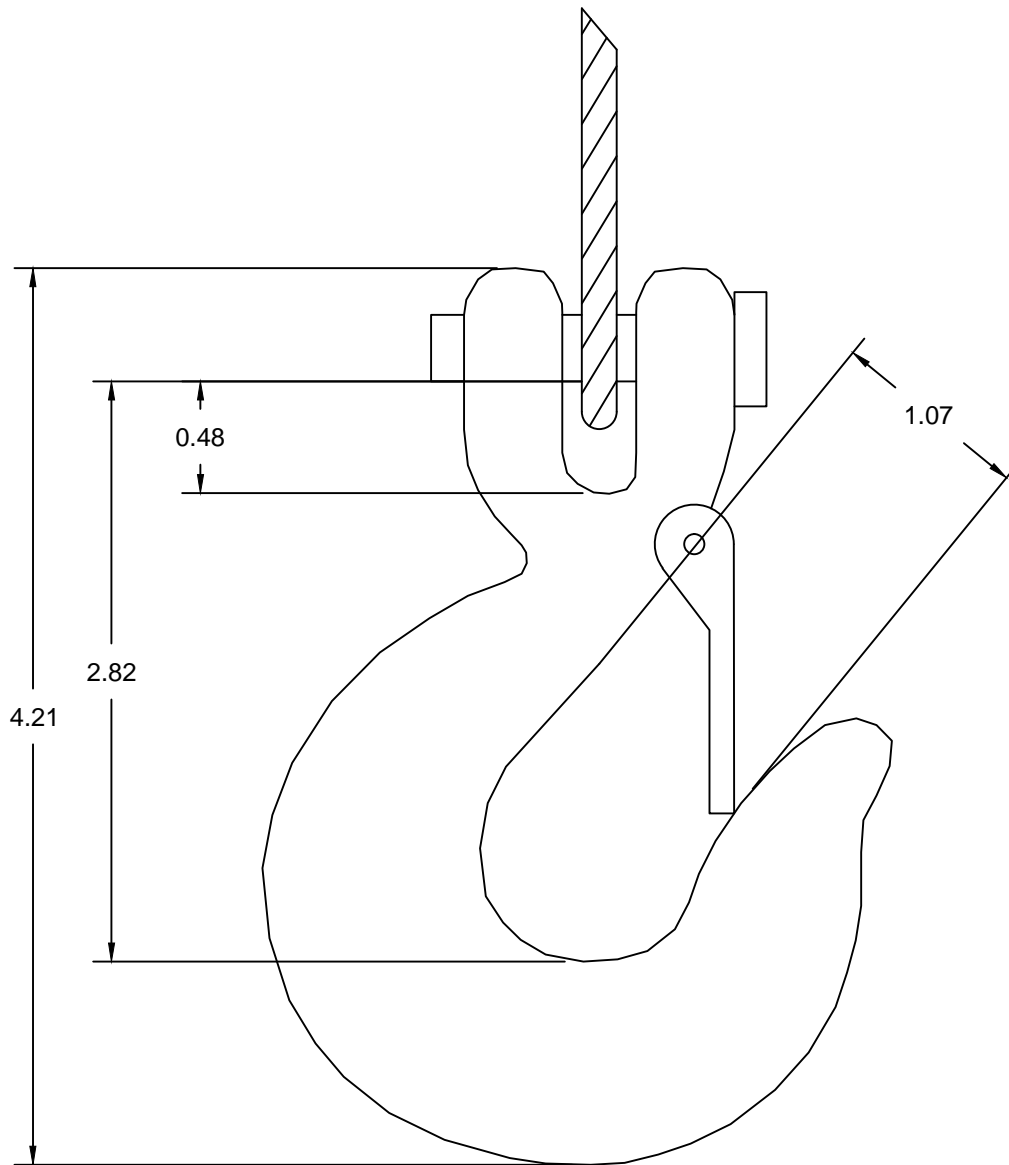
CE1500FB

DATE  
02-01-19B

SUPERSEDES  
05-04-98A

SECTION  
C100

CE-020



WIRE ROPE  
 CE-156  
 TYPE: 9/64" DIAMETER  
 A7 x 19, GALVANIZED  
 LENGTH: 60'

CLEVIS HOOK  
 CE-159



VENCO VENTURO INDUSTRIES LLC  
 CINCINNATI, OHIO

TITLE

WIREROPE & HOOK SPECIFICATIONS

DATE

01-29-19

SECTION

C100

VC750FB & CE1500FB

SUPERSEDES

\*\*\*

CEV184



# SECTION 150

## SAFETY



VENCO VENTURO INDUSTRIES LLC  
CINCINNATI, OHIO

**CAUTIONS**

1. INSPECT VEHICLE AND CRANE, INCLUDING OPERATION, PRIOR TO USE DAILY.
2. DO NOT USE THIS EQUIPMENT EXCEPT ON SOLID, LEVEL SURFACE WITH CRANE MOUNTED ON FACTORY RECOMMENDED TRUCK.
3. BEFORE OPERATING THE CRANE, REFER TO MAXIMUM LOAD (CAPACITY) CHART ON CRANE FOR OPERATING (LOAD) LIMITATIONS.
4. DO NOT OPERATE, WALK, OR STAND BENEATH BOOM OR A SUSPENDED LOAD.
5. UNPLUG PENDANT (AND OPTIONAL ELECTRIC QUICK DISCONNECT, IF ON MODEL) WHEN NOT IN USE.
6. FOR TRAVEL, BOOM MUST BE TIED DOWN IN THE STOWED POSITION.

**DANGER**

- THIS CRANE IS NOT A PASSENGER LIFT
- IT IS NOT DESIGNED OR INTENDED TO BE USED TO LIFT, SUPPORT, OR OTHERWISE TRANSPORT PERSONNEL.

**YOU MUST NOT OPERATE THIS CRANE UNLESS :**

1. YOU HAVE BEEN TRAINED IN THE SAFE OPERATION OF THIS CRANE, **AND**
2. YOU KNOW AND FOLLOW THE SAFETY AND OPERATION RECOMMENDATIONS CONTAINED IN THE MANUFACTURER'S MANUALS, YOUR EMPLOYER'S WORK RULES, AND APPLICABLE GOVERNMENT REGULATIONS. AN UNTRAINED OPERATOR SUBJECTS THEMSELVES AND OTHERS TO DEATH OR SERIOUS INJURY.

REFERENCE SAFETY MANUAL INST-23233



VENCO VENTURO INDUSTRIES LLC  
CINCINNATI, OHIO

TITLE	DATE	SECTION
CRANE SAFETY & HZRDS	02-20-17E	C200
▲ CE-/CEV/ESV SERIES CRANES	SUPERSEDES 09-08-16D	CE-044

PART NO.: 15390  
 DECAL: CAUTION - INSPECT VEHICLE & CRANE  
 FUNCTION: To inform the operator of key operating requirements.  
 QUANTITY: 1  
 PLACEMENT: Top of pedestal.



PART NO.: 15398  
 DECAL: UNPLUG REMOTE CONTROL  
 FUNCTION: To inform the operator to unplug remote control when not in use.  
 QUANTITY: 1  
 PLACEMENT: Near pendant socket.



PART NO.: 15672-800  
 DECAL: CAPACITY 800 LBS  
 FUNCTION: To show the operator the capacity at 5 foot boom length.  
 QUANTITY: 2  
 PLACEMENT: One on each side of boom above pin holes.



PART NO.: 15672-1000  
 DECAL: CAPACITY 1000 LBS  
 FUNCTION: To show the operator the capacity at 4 foot boom length.  
 QUANTITY: 2  
 PLACEMENT: One on each side of boom near pin holes.



PART NO.: 15672-1500  
 DECAL: CAPACITY 1500 LBS  
 FUNCTION: To show the operator the capacity at 3 foot boom length.  
 QUANTITY: 2  
 PLACEMENT: One on each side of boom above pin holes.



PART NO.: 19733  
 DECAL: MODEL NAME  
 FUNCTION: To show the model of the crane.  
 QUANTITY: 2  
 PLACEMENT: One on each side of boom.



MFG., INC.  
 CINCINNATI, OHIO

TITLE  
**DECAL DRAWINGS & LIST**

DATE  
**9-13-05**

SECTION  
**C150**

**CE1500FB**

SUPERSEDES  
 -

**21376**

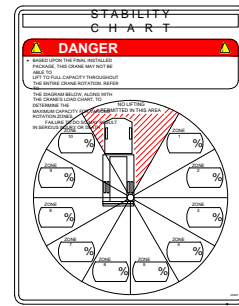
PART NO.: 20927

DECAL: CRANE STABILITY

FUNCTION: To inform the operator of the crane's lifting capacity throughout the entire rotation.

QUANTITY: 1

PLACEMENT: In prominent location, so it is easily seen and readily identifiable.



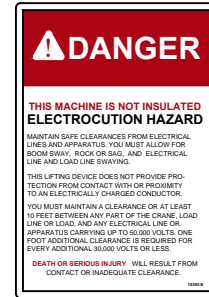
PART NO.: 15392

DECAL: DANGER, ELECTROCUTION HAZARD, MACHINE (CRANE)

FUNCTION: To inform operator that machine (crane) represents an electrocution hazard should it come close to or in contact with an electrical voltage source.

QUANTITY: 1

PLACEMENT: Upper mast on side, opposite primary boom.



PART NO.: 15391

DECAL: DANGER, NOT A PASSENGER LIFT

FUNCTION: To inform the operator not to lift, support, or transport personnel, and to ensure operator is adequately trained.

QUANTITY: 1

PLACEMENT: Upper mast on side, opposite primary boom.



PART NO.: 17389-4

DECAL: VENTURO

FUNCTION: Manufacturer's logo

QUANTITY: 2

PLACEMENT: Primary boom, both sides near mast.



VENCO VENTURO INDUSTRIES LLC  
CINCINNATI, OHIO

TITLE  
DECAL DRAWING & LIST

CE1500FB

DATE  
01-31-19A

SUPERSEDES  
06-06-14

SECTION  
C150

21409

# OPERATING INSTRUCTIONS

CE-SERIES CRANES

## ELECTRIC WINCH

THE WINCH IS OPERATED BY A CONTROL SWITCH IN A PLUG-IN REMOTE PENDANT. UNPLUG THE PENDANT AND STORE IT IN THE VEHICLE WHEN THE CRANE IS NOT IN USE.

## TELESCOPING BOOM

ON CE CRANES THE BOOM CAN BE MANUALLY EXTENDED. THE HOLE IN THE SECONDARY ARM ASSEMBLY SHOULD BE ALIGNED WITH THE HOLE IN THE PRIMARY ARM. INSERT PIN ASSEMBLY. INSERT HAIRPIN COTTER IN THE END OF THE PIN ASSEMBLY.

## LOAD BLOCK

ON THE CE1500FB MODEL CRANES THE LOAD BLOCK MUST BE USED FOR ALL LOADS OVER 1000 LBS.

## ROTATION LOCK

BEFORE PULLING LOAD MAKE SURE THE BRAKE HANDLE IS TIGHTENED TO KEEP BOOM FROM ROTATING (DO NOT PULL ITEMS AT AN ANGLE. THE BOOM MUST BE PERPENDICULAR TO THE LOAD.)

## BOOM TIE DOWN

RELEASE SUPPORT BAR AND STORE CRANE IN THE FOLDED POSITION WITH PIN ASSEMBLY INCLUDED IN THE SUPPORT BAR (SEE DRAWING CE-075.)

## MASTER DISCONNECT SWITCH

SWITCH TO DISCONNECT POWER TO CRANE WHEN NOT IN USE.

# MAINTENANCE

## WINCH

THE WINCH IS PERMANENTLY LUBRICATED. THERE MAY BE GREASE LEAKAGE OUT OF THE WINCH, ESPECIALLY DURING THE FIRST FEW OPERATIONS. THIS IS NORMAL AND IT IS NOT NECESSARY TO GREASE OR OIL ANY PART OF THE WINCH AT ANY TIME.

## CABLE

INSPECT CABLE PERIODICALLY. IF ANY WEAR OR FRAYING EXISTS, REPLACE CABLE AT ONCE (SEE DRAWINGS CE-115 AND CE-111.



VENCO VENTURO INDUSTRIES LLC  
CINCINNATI, OHIO

TITLE

INSTALLATION DWG

DATE

02-01-19B

SECTION

C200

CE-SERIES CRANES

SUPERSEDES

05-05-98A

CE-039



# SECTION 200

# INSTALLATION

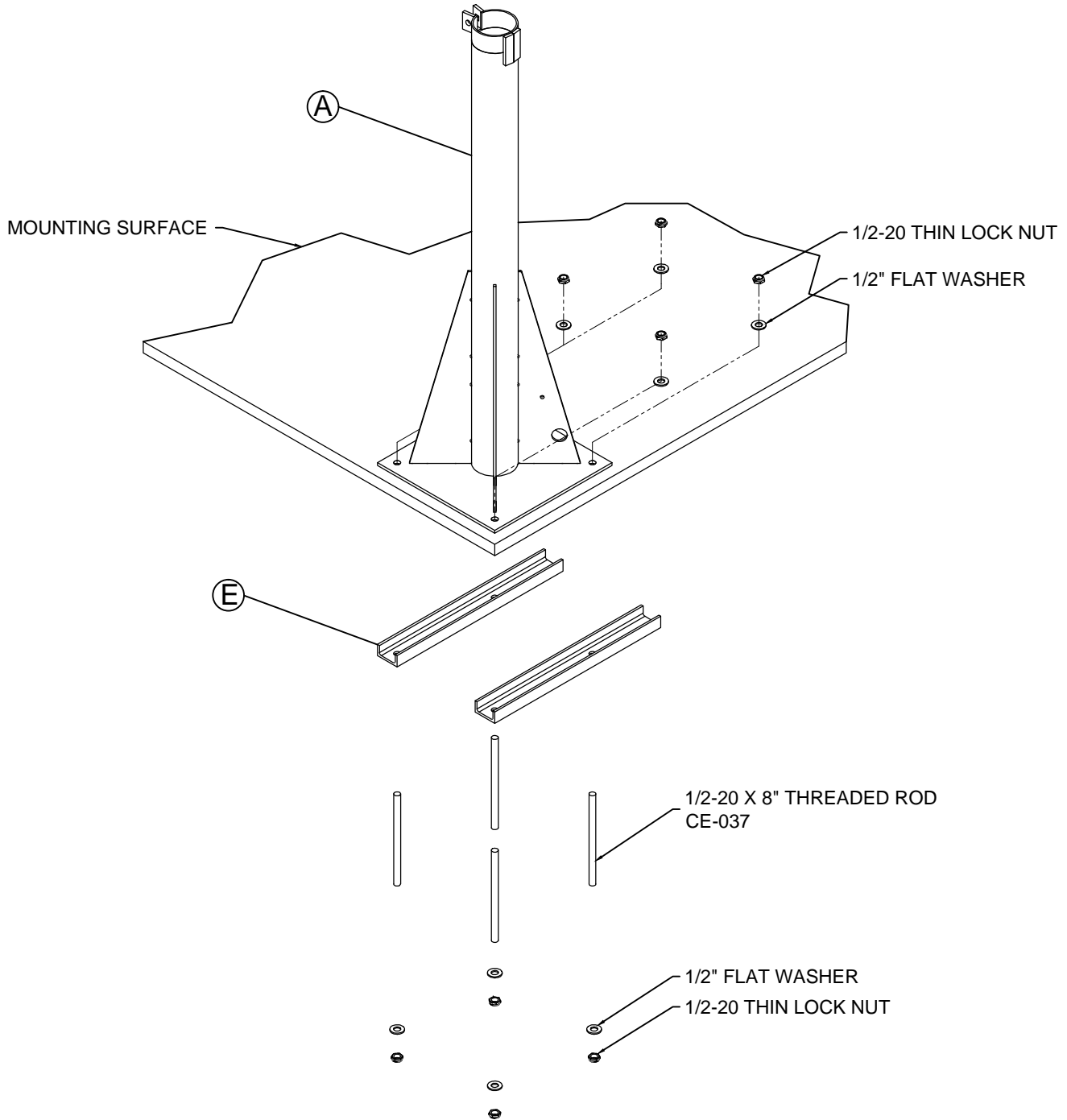


VENCO VENTURO INDUSTRIES LLC  
CINCINNATI, OHIO

# MOUNTING INSTRUCTIONS

## MOUNT BASE AS FOLLOWS:

1. DRILL 4 HOLES IN MOUNTING SURFACE  $\varnothing 9/16"$  ON A 10" SQUARE BOLT PATTERN.
2. ASSEMBLE (1) 1/2" FLAT WASHER AND (1) 1/2-20 LOCK NUT TO EACH MOUNTING BOLT.
3. INSERT THE MOUNTING BOLT INTO THE BASE (A).
4. PLACE THE MOUNTING CHANNELS (E) WITH THE LEGS FACING UP UNDERNEATH THE MOUNTING SURFACE.
5. ASSEMBLE MOUNTING CHANNELS TO MOUNTING BOLTS.



VENCO VENTURO INDUSTRIES LLC  
CINCINNATI, OHIO

TITLE

MOUNTING INSTRUCTIONS

DATE

02-06-19B

SECTION

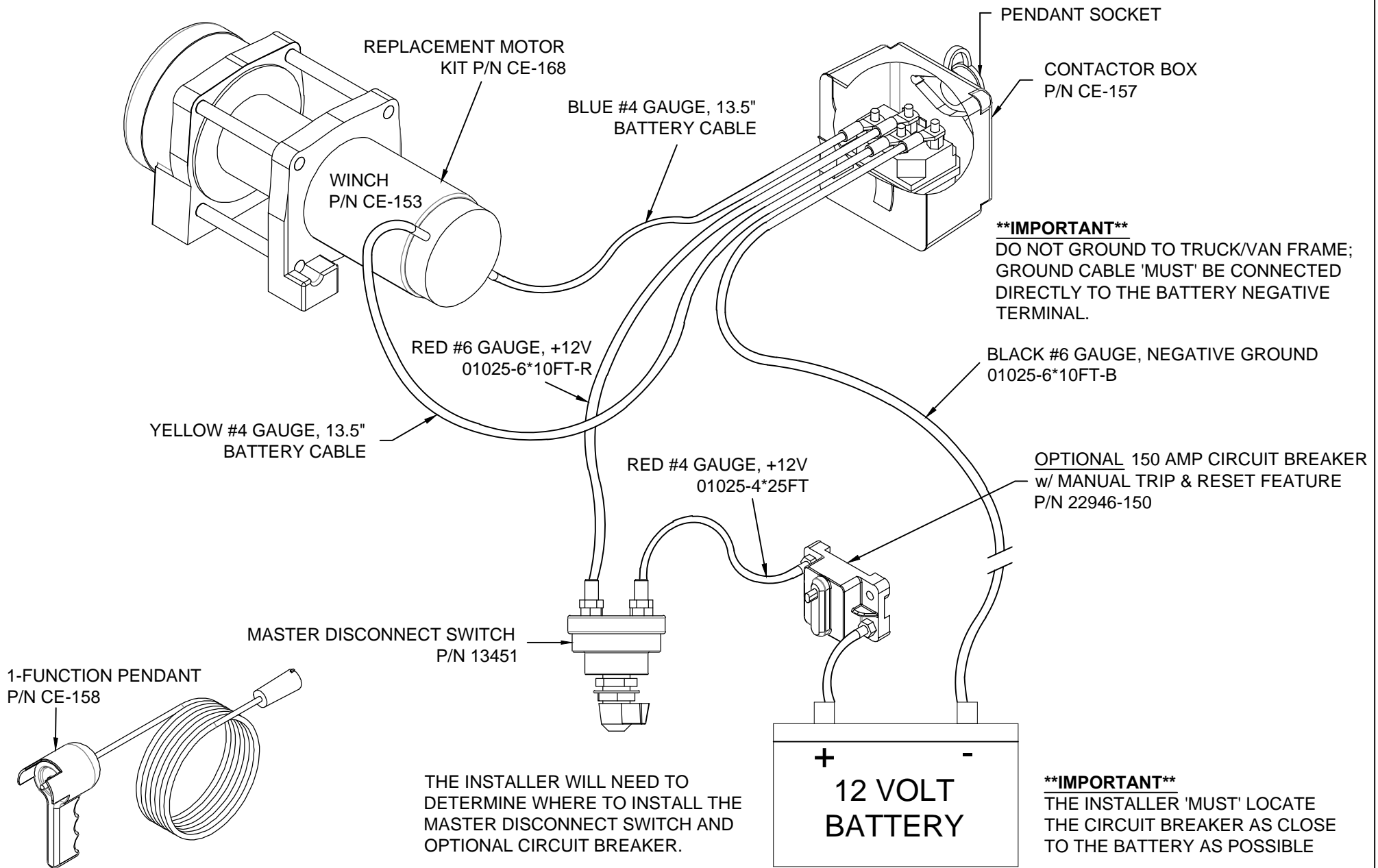
C200

CE1500FB

SUPERSEDES

05-04-98A

CE-045



VENCO VENTURO INDUSTRIES LLC  
CINCINNATI, OHIO

TITLE  
WIRING DIAGRAM

CE1500FB

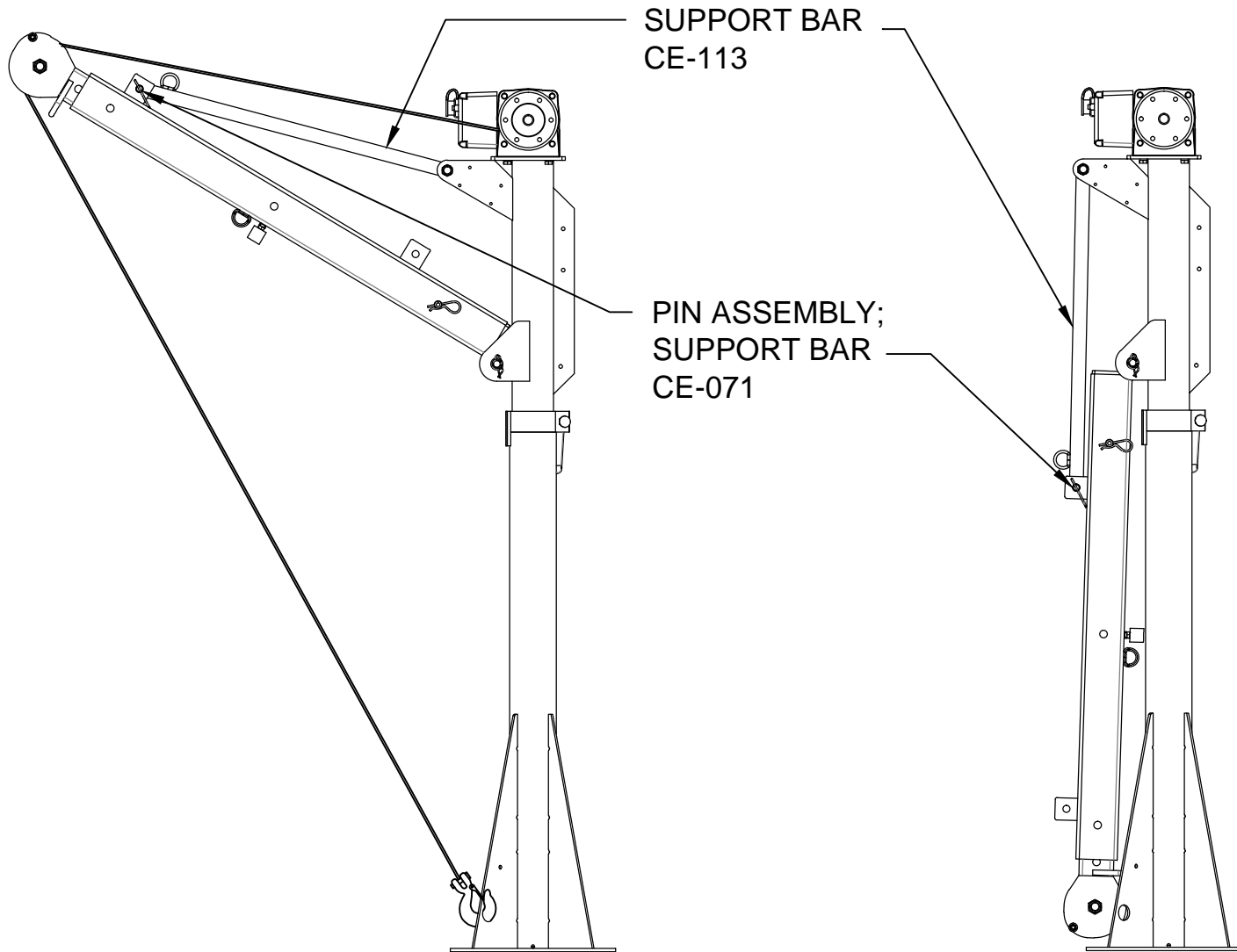
DATE  
06-03-22B

SUPERSEDES  
02-19-19A

SECTION  
C200

CE-160

TO STORE CE1500FB, REMOVE PIN IN THE SUPPORT BAR,  
LOWER BOOM, AND PUT PIN BACK IN THE SUPPORT BAR.



VENCO VENTURO INDUSTRIES LLC  
CINCINNATI, OHIO

TITLE  
STORAGE  
CE1500FB

DATE  
02-01-19B  
SUPERSEDES  
05-04-98A

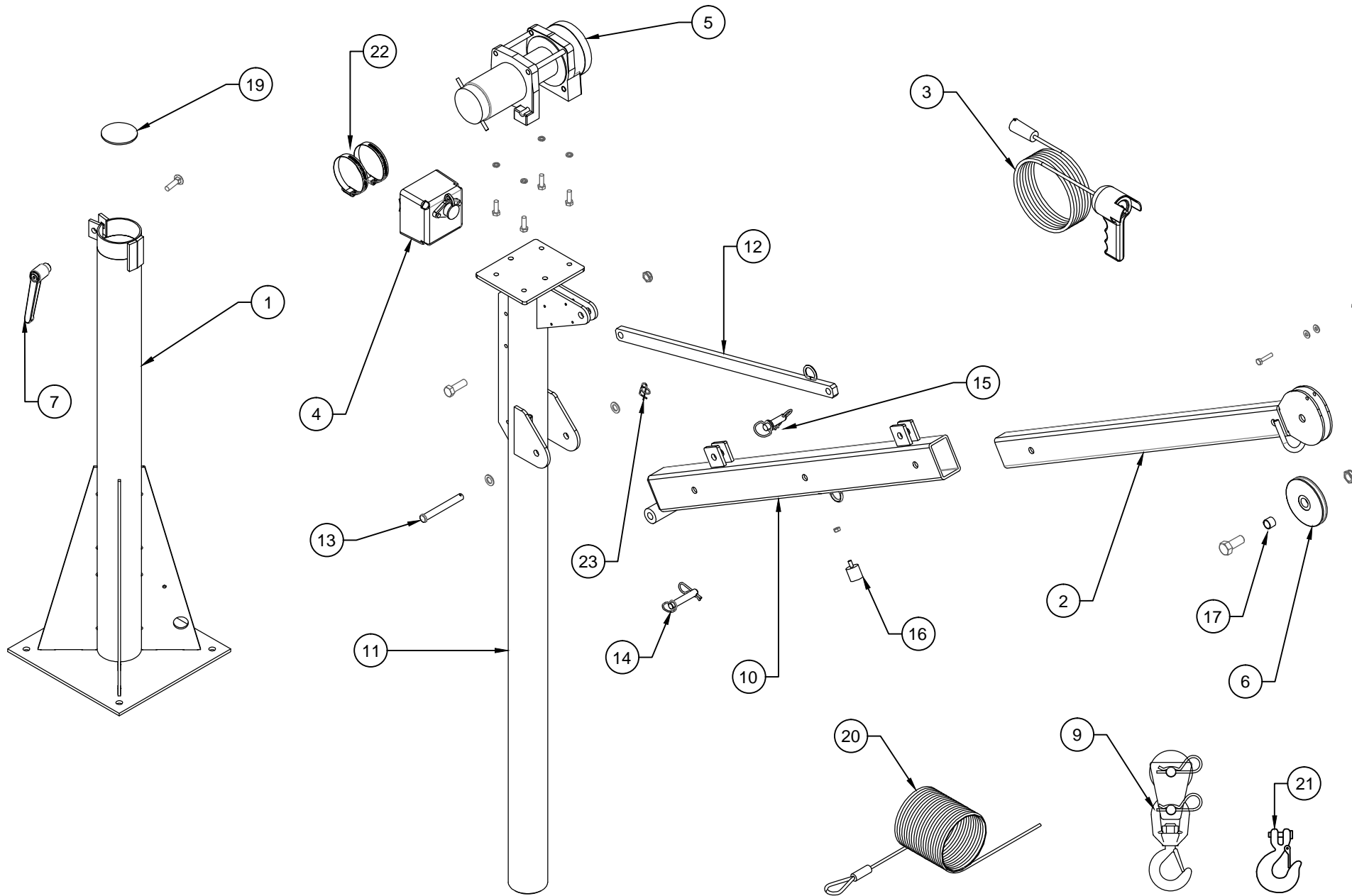
SECTION  
C200  
CE-075

# SECTION 400

# REPLACEMENT PARTS



VENCO VENTURO INDUSTRIES LLC  
CINCINNATI, OHIO



SEE REPLACEMENT PARTS LIST #CE-111



VENCO VENTURO INDUSTRIES LLC  
CINCINNATI, OHIO

TITLE  
REPLACEMENT PARTS, EXPLODED

CE1500FB

DATE  
01-31-19D

SUPERSEDES  
09-02-15C

SECTION  
C400

CE-115

CE-1500-FB  
REPLACEMENT PARTS LIST

ITEM	PART NO.	QTY.	DESC.
1	CE-002-4	1	BASE ASSEMBLY
2	CE-005	1	SECONDARY BOOM ASSEMBLY
3	CE-158	1	PENDANT
4	CE-157	1	CONTACTOR BOX ASSEMBLY
4*	CE-169	-	CONTACTOR (NO ASS'Y, REPLACEMENT PARTS ONLY)
5	CE-153	1	WINCH; COMEUP GTD-650
6	19646	1	SHEAVE WITH BUSHING
7	CE-017	1	ADJUSTABLE BRAKE HANDLE
8	-	-	-
9	CE-050	1	LOAD BLOCK; 1500 LB.
10	CE-058	1	PRIMARY BOOM ASSEMBLY
11	CE-059-2	1	UPPER BODY ASSEMBLY
12	CE-113	1	SUPPORT BAR ASSEMBLY
13	CEV165	1	CLEVIS PIN; Ø 1/2" X 4", PLATED
14	CE-070	1	PIN ASSEMBLY; PRIMARY ARM
15	CE-071	1	PIN ASSEMBLY; SUPPORT BAR
16	PL-20-364	1	BUMPER; SAFETY RAILS
17	13168-7	1	SLEEVE; 9/16" LG.
18	-	-	-
19	CE-109	1	LOWER BEARING; WHITE DELRIN, 1/8" X 2-3/4" O.D.
20	CE-156	1	WIRE ROPE
21	CE-159	1	CLEVIS HOOK
22	CE-154	2	HOSE CLAMP; Ø 2-9/16" - 3-1/2"
23	416554	1	RUE RING COTTER; 5/8", ZINC-PLATED
24	-	-	-
25	-	-	-

\* REPLACEMENT PART INFORMATION ONLY, CONTACTOR INCLUDED IN CE-157 CONTACTOR ASSEMBLY



VENCO VENTURO INDUSTRIES LLC  
CINCINNATI, OHIO

TITLE  
REPLCMNT PART LIST

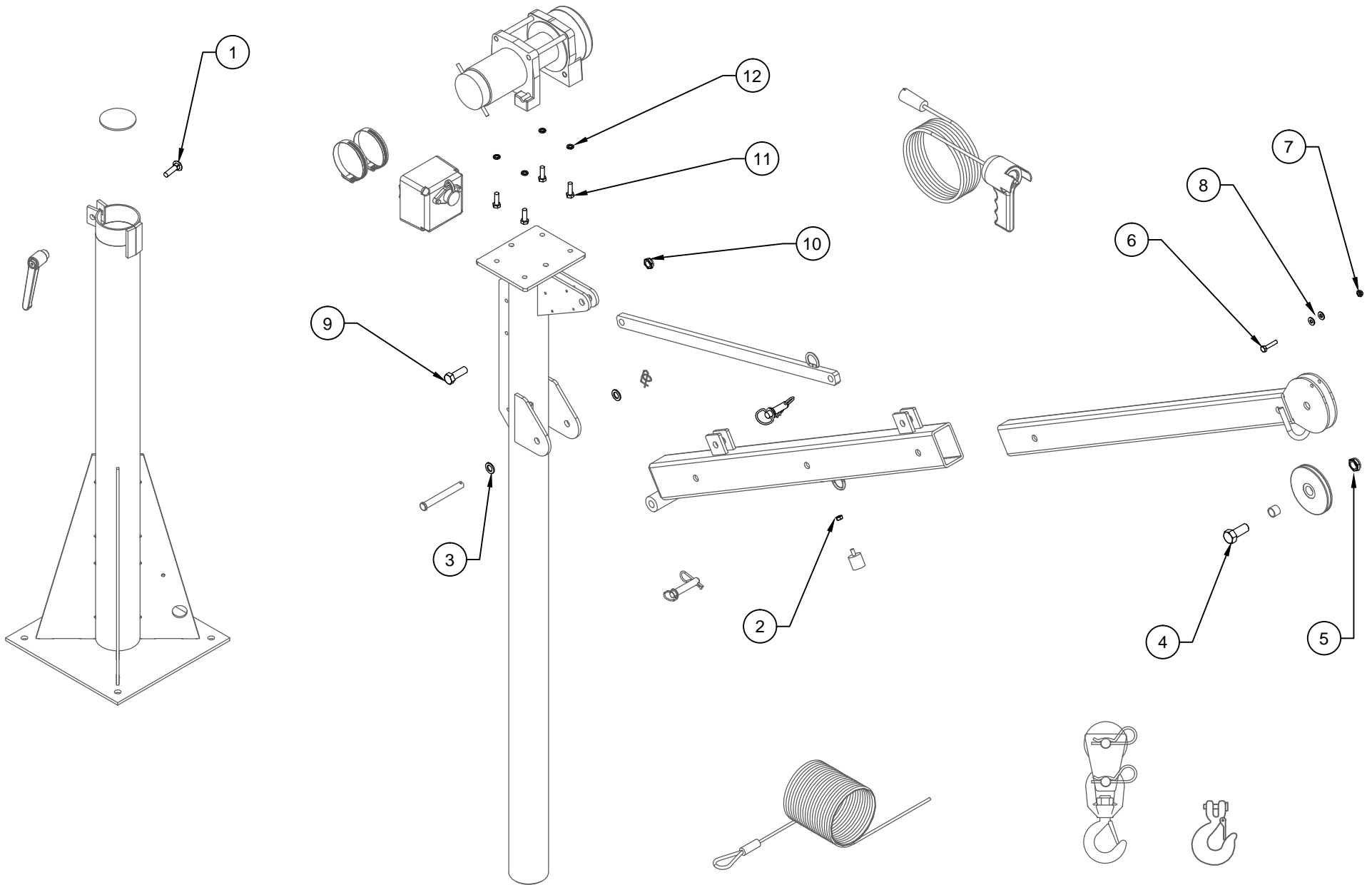
CE1500FB

DATE  
01-20-23H

SUPERSEDES  
02-01-19G

SECTION  
C400

CE-111



SEE REPLACEMENT HARDWARE LIST #CE-162



VENCO VENTURO INDUSTRIES LLC  
CINCINNATI, OHIO

TITLE  
REPLACEMENT HARDWARE, EXPLODED  
CE1500FB

DATE  
01-31-19  
SUPERSEDES  
\*\*\*

SECTION  
C400  
CE-161

#	PART NO.	QTY	DESCRIPTION
▲ 1	!CHCS03816175	1	CARRIAGE BOLT; 3/8-16 X 1-3/4", GR. 5, ZINC
2	!HNUT-02520S	1	HEX NUT; 1/4-20, SS
3	12534-4	2	MACHINE BUSHING; Ø1/2", 14G, ZINC
4	!HHCS06311150-8	1	HEX HEAD CAP SCREW; 5/8-11 X 1-1/2", GR. 8, ZINC
5	!JNUT-06311N	1	JAM NUT; 5/8-11, NYLOC, GR. 5, ZINC
6	!HHCS02520125S	1	HEX HEAD CAP SCREW; 1/4-20 X 1-1/4", SS
7	!JNUT-02520NS	1	JAM NUT; 1/4-20, NYLOC, SS
8	!FWSH-025S	2	FLAT WASHER; Ø1/4", SS
9	!HHCS05013150	1	HEX HEAD CAP SCREW; 1/2-13 X 1-1/2", GR. 5, ZINC
10	!JNUT-05013N	1	JAM NUT; 1/2-13, NYLOC, GR. 5, ZINC
11	!HHCSM8100025-8.8	4	HEX HEAD CAP SCREW; M8-1.00 X 25MM, GR. 8.8
12	!LWSHM8-8.8	4	LOCK WASHER; M8, GR. 8.8



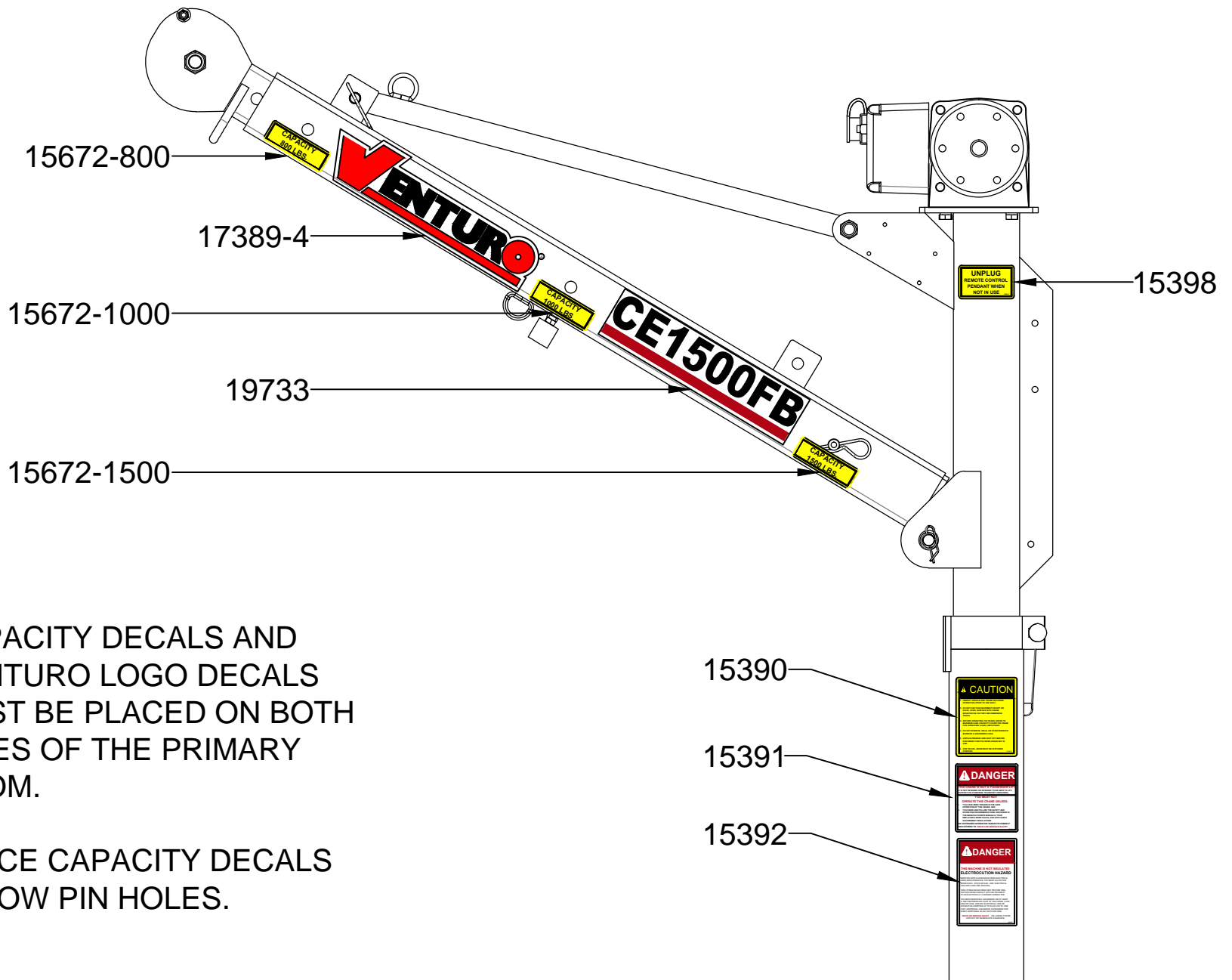
VENCO VENTURO LLC  
CINCINNATI, OHIO

TITLE  
REPLACEMENT FASTENERS LIST

DATE  
04-16-26A SECTION  
C400

CE1500FB

SUPERSEDES  
02-01-19 CE-162



**NOTE:**

CAPACITY DECALS AND VENTURO LOGO DECALS MUST BE PLACED ON BOTH SIDES OF THE PRIMARY BOOM.

PLACE CAPACITY DECALS BELOW PIN HOLES.



VENCO VENTURO INDUSTRIES LLC  
CINCINNATI, OHIO

TITLE	DATE	SECTION
DECAL PLACEMENTS	01-31-19C	C400
CE1500FB	SUPERSEDES 07-26-12B	CE-038

# CE1500FB; 19387 FIELD SERVICE LABEL KIT

19387 FIELD SERVICE LABEL KIT		
DESCRIPTION	QTY	PART #
DECAL, VENTURO LOGO	2	17389-4
DECAL, CAPACITY 800 LBS	2	15672-800
DECAL, CAPACITY 1000 LBS	2	15672-1000
DECAL, CAPACITY 1500 LBS	2	15672-1500
DECAL, MODEL, CE1500FB	2	19733
ACCIDENT PREVENTION SIGNS	1	15397



VENCO VENTURO INDUSTRIES LLC  
CINCINNATI, OHIO

TITLE  
19387 FIELD SERVICE LABEL KIT

CE1500

DATE  
03-13-23A

SUPERSEDES  
06-28-06

SECTION  
C400

20319







## VENTURO CRANES LIMITED WARRANTY POLICY

Venturo products are built to last...we guarantee them.

As a purchaser of any new Venturo product covered by warranty, you will receive 1 year of the most complete coverage available...and, at no added cost to you.

### 1-Year Limited Warranty Policy

This limited policy warrants new products of Venturo to be free from defects in material and workmanship for a period of one (1) year from date of original installation. OEM products or accessories purchased by Venturo as part of or offered with our product will carry the OEM manufacturer's respective warranty. Our warranty covers:

- ***Repair or replacement of product***
- ***Labor to repair or replace product***
- ***Freight to return and/or replace product***

We shall not be liable for any contingent liabilities arising out of the improper function of any products. Warranty shall become void if the product is improperly installed, modified, damaged, abused or used for application other than intended use. There is no warranty of merchantability, fitness for a particular purpose, warranty arising from course of dealing or usage of trade, or any other implied or expressed warranty, except as made specifically herein. This warranty supersedes all previous warranties, written or implied.

### Warranty Claims

Venco Venturo Industries LLC will make a good faith effort for prompt correction or other adjustment with respect to any product, which proves to be defective after our inspection and within the warranty period. Before any repairs are attempted or before returning any product, your Venturo Distributor is required to obtain a warranty claim number. This number is necessary for any claim to be considered. To obtain a warranty claim number, Venturo requires the model and serial number. Only authorized Venturo Distributors can perform warranty. For the name and address of your local Venturo Distributor call the **Warranty Claim Department - 513-772-8448**.

**WARNING** - It is the responsibility of the installer to ensure the installation is completed according to the manufacturer's recommendations, ensure the ultimate user understands how to operate product in a safe manner, and understands the need for regular service and maintenance by an authorized Venturo Distributor. No modifications or alterations may be made to any Venturo product without the expressed written consent of Venco Venturo Industries LLC. Installation of any Venturo product must be done by an authorized Venturo Distributor, to the standards of the industry; including maintenance, service and affixing of all instruction, safety and warning decals. Users should be instructed as to the safe operation at time of delivery. Maintenance, service, operation and safety warning decals are available on request from Venco Venturo Industries LLC.

**VENCO VENTURO INDUSTRIES LLC**  
12110 BEST PLACE | CINCINNATI, OHIO 45241  
P: 800-226-2238 | F: 513-326-5427  
[www.venturo.com](http://www.venturo.com)