



ELECTRIC LIGHT-DUTY CRANES

CE1500FB



MAX. CAPACITY
1,500 LBS

CRANE RATING
4,500 FT-LBS

MAX. REACH
5 FT

MIN. GVWR
NO MIN.

CONTROLS
ELECTRIC

FEATURES

■ COMPACT STORAGE

The CE1500FB includes a 3-5 ft manual extension which folds down for storage.

■ FRICTION-LESS MANUAL ROTATION

Manual 360-degree rotation with band brake provides unlimited, easy-to-use controlled load positioning.

■ MULTIPLE HEIGHT OPTIONS

The CE1500FB includes multiple cut-down options to fit a variety of applications.

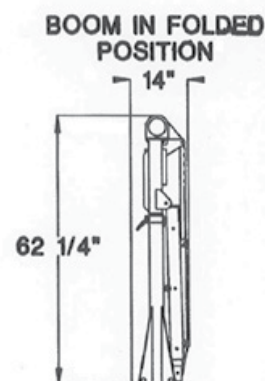
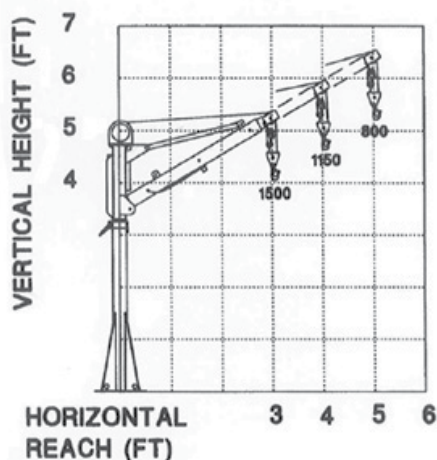
A SMALL CRANE SOLUTION.

The CE1500FB is an economical choice for light and medium-duty applications and includes a 1,500 lb capacity with electric winch, manual rotation, extension with a folding boom for easy storage.

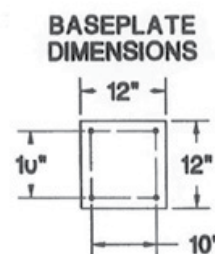
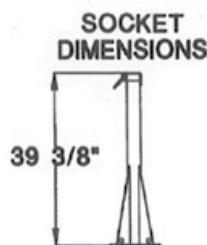
SPECIFICATIONS

Lifting Capacities:	1,500 lbs
Crane Rating:	4,500 ft-lbs
Mounting Space:	12" x 12"
Stowed Height:	62"
Rope Diameter:	9/64" @ 60'
Line pull speed:	14.1 ft/min
Max. Single-line:	650 lbs
Max. Double-line:	1,500 lbs
Rotation:	360-Degree Band Brake
Power Supply:	Electric 12V DC
Requirements:	12v DC Battery
Hydraulic Req:	No Hydraulics
Boom Elevation:	1-position (60°)
Controls:	12V DC On/Off Winch

MAXIMUM LOAD CAPACITY CHART



MUST USE SNATCH BLOCK FOR LOADS GREATER THAN 1000 LBS.



OPTIONS & ACCESSORIES

Optional Mast Cut-Down

The CE1500FB includes multiple options for cutting down the mast to fit different utility bodies.

Jacklegs

(Optional) Single jackleg for utility body (0 - 24") or for platform bodies (27' - 45")

Rotation

360-degree manual rotation with band brake provides unlimited controlled load positioning.

150 AMP Circuit Breaker

Venturo Electric 12V DC cranes recommend a 150 AMP Circuit Breaker Kit to be installed as close to the vehicle battery as possible.



Venco Venturo Industries LLC
 12110 Best Place | Cincinnati, Ohio 45241
 800-226-2238 | 513-772-8448 Local
 info@venturo.com | www.venturo.com

NOTE: All Venturo service cranes meet ANSI B30.5 and OSHA 1910.180 specifications. Specifications subject to change without notice. Copyright © 2019 Venco Venturo Industries LLC. All Rights Reserved.